



US00D333473S

United States Patent [19]

[11] Patent Number: **Des. 333,473**

Aizawa

[45] Date of Patent: **** Feb. 23, 1993**

[54] **AIR CYLINDER**

Attorney, Agent, or Firm—Oblon, Spivak, McClelland, Maier & Neustadt

[75] Inventor: **Akira Aizawa, Soka, Japan**

[57] **CLAIM**

[73] Assignee: **SMC Corporation, Tokyo, Japan**

The ornamental design for an air cylinder, as shown and described.

[**] Term: **14 Years**

DESCRIPTION

[21] Appl. No.: **486,176**

FIG. 1 is a front elevational view of an air cylinder showing my new design;

[22] Filed: **Feb. 28, 1990**

FIG. 2 is a rear elevational view;

[30] **Foreign Application Priority Data**

FIG. 3 is a right side elevational view;

Aug. 30, 1989 [JP] Japan 1-31573

FIG. 4 is a top plan view;

[52] U.S. Cl. **D15/7; D15/5**

FIG. 5 is a left side elevational view;

[58] Field of Search **D15/1, 2, 4, 5, 7-9; 417/403, 404; 91/275**

FIG. 6 is a bottom plan view;

FIG. 7 is a cross sectional view taken along line 7—7 of FIG. 1;

[56] **References Cited**

FIG. 8 is a cross sectional view taken along line 8—8 of FIG. 3;

U.S. PATENT DOCUMENTS

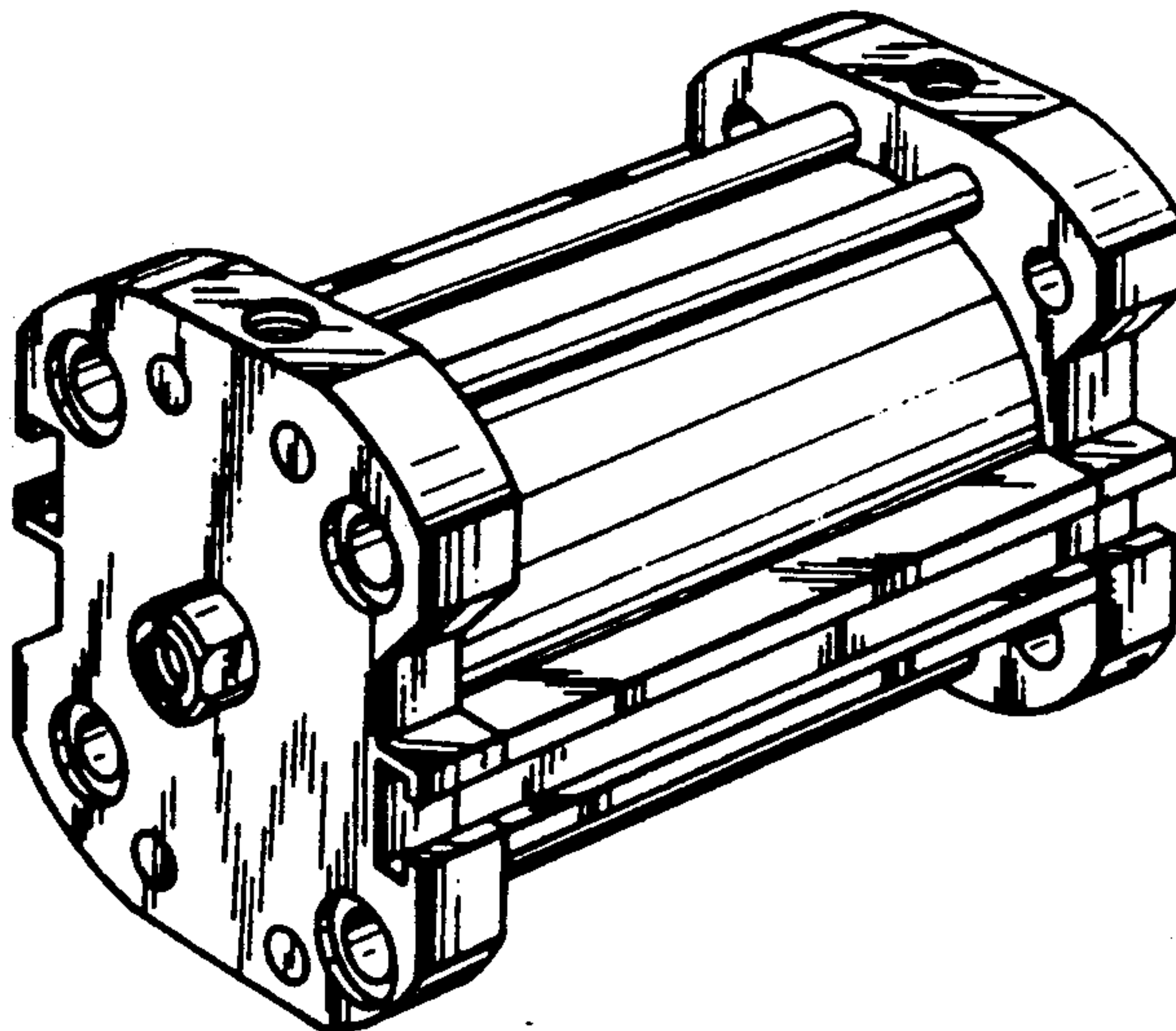
D. 244,681	6/1977	Bell	D15/7
D. 264,972	6/1982	McMillin et al.	D15/7
D. 295,753	5/1988	LaBair	D15/7
4,597,721	7/1986	Santefort	91/275

FIG. 9 is a top, front and right side perspective view;

FIG. 10 is a right side elevational view of an air cylinder showing a second embodiment of my new design, the only difference to the embodiment shown in FIGS. 1 through 9 is the variation in length; and,

Primary Examiner—A. Hugo Word
Assistant Examiner—R. Seifert

FIG. 11 is a right side elevational view of an air cylinder showing a third embodiment of my new design, the only difference to the embodiments shown in FIGS. 1 through 10 is the variation in length.



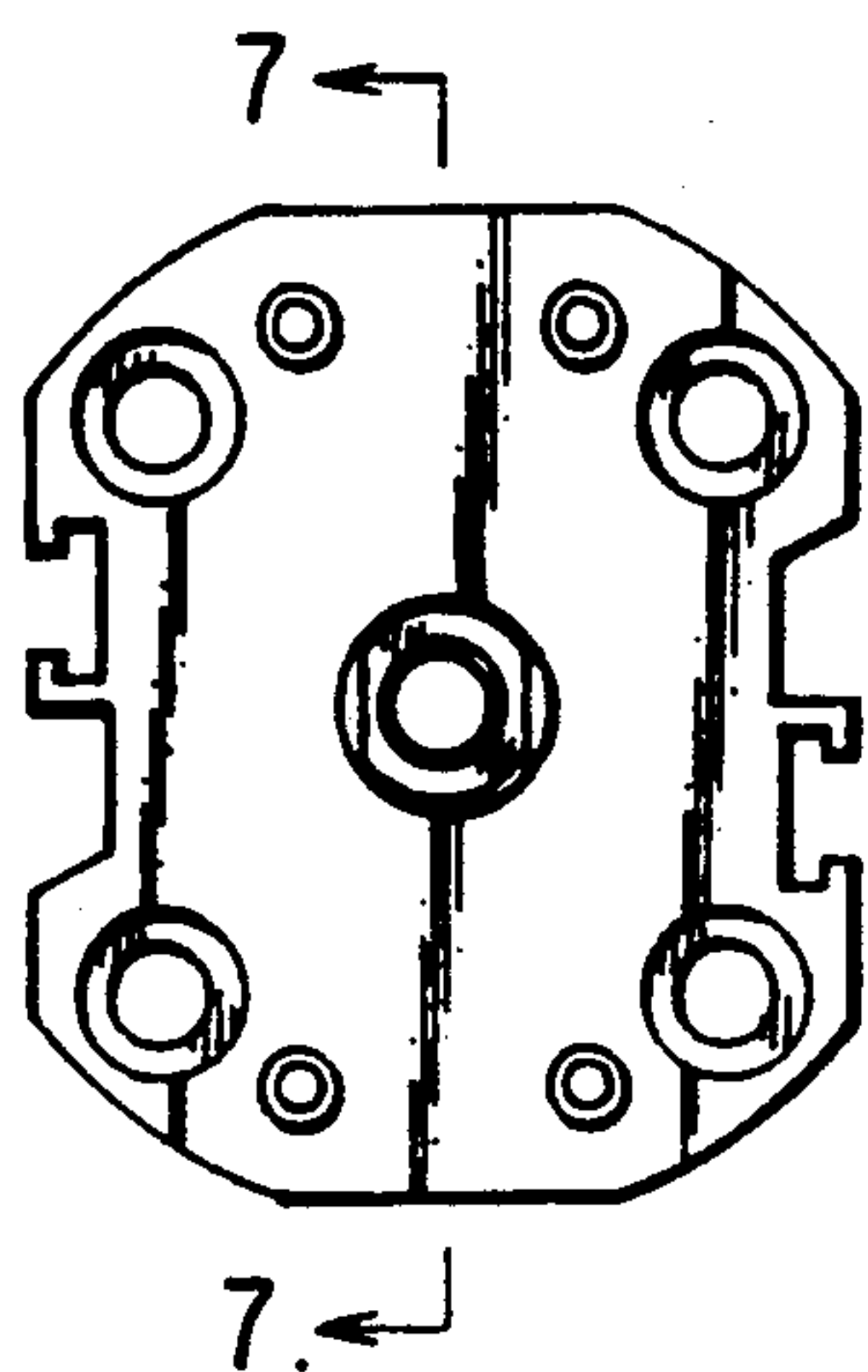


FIG. 1

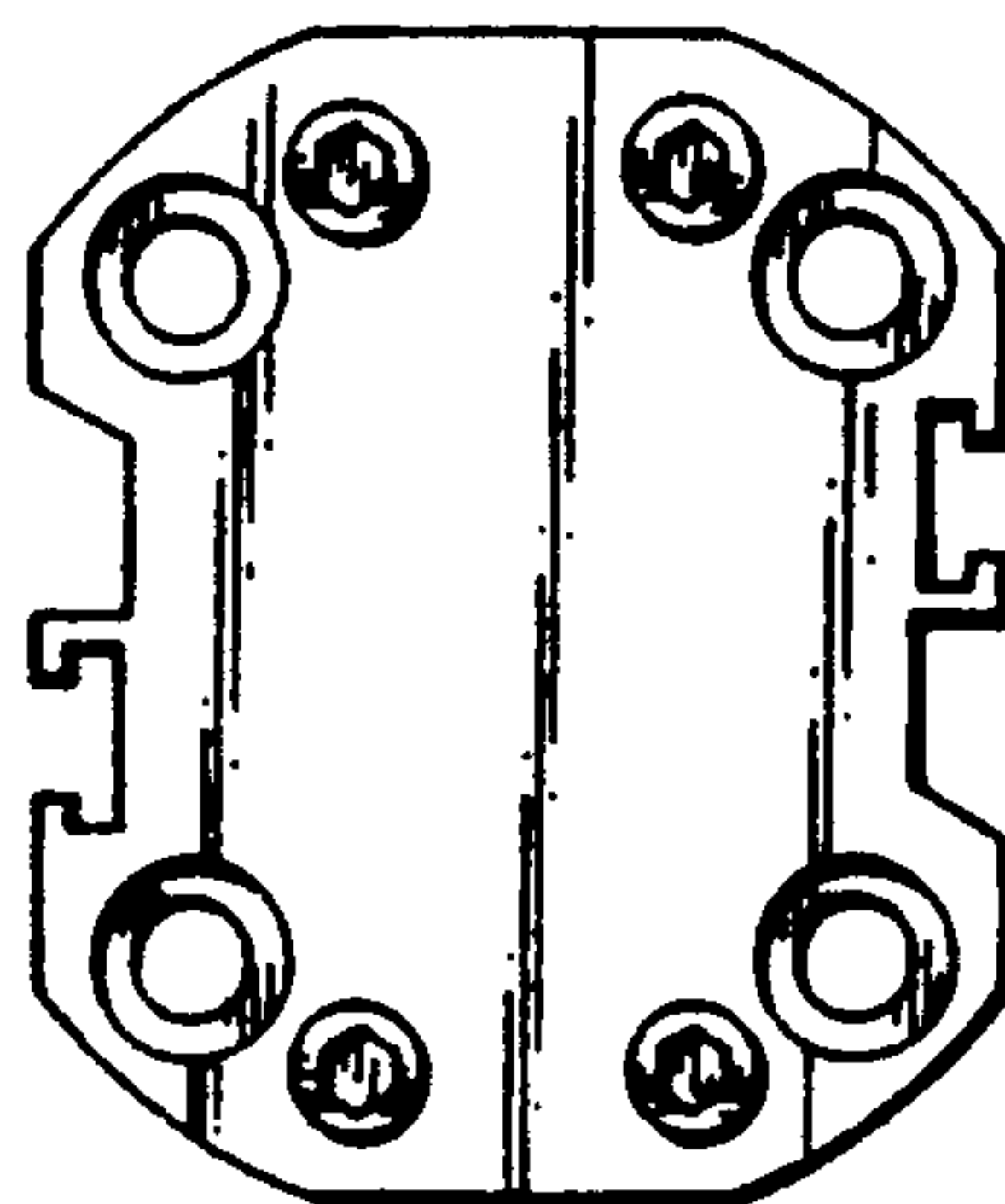


FIG. 2

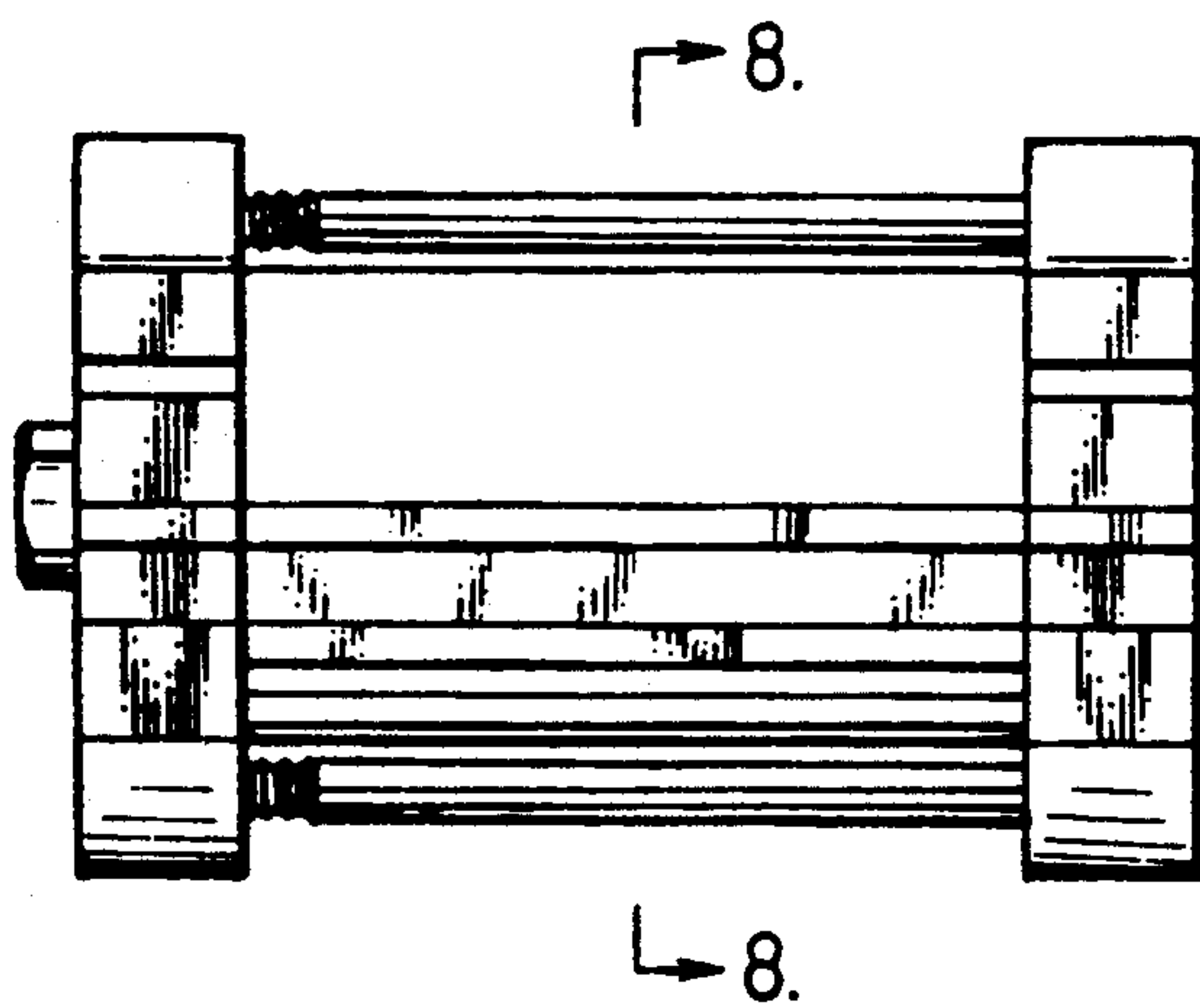


FIG. 3

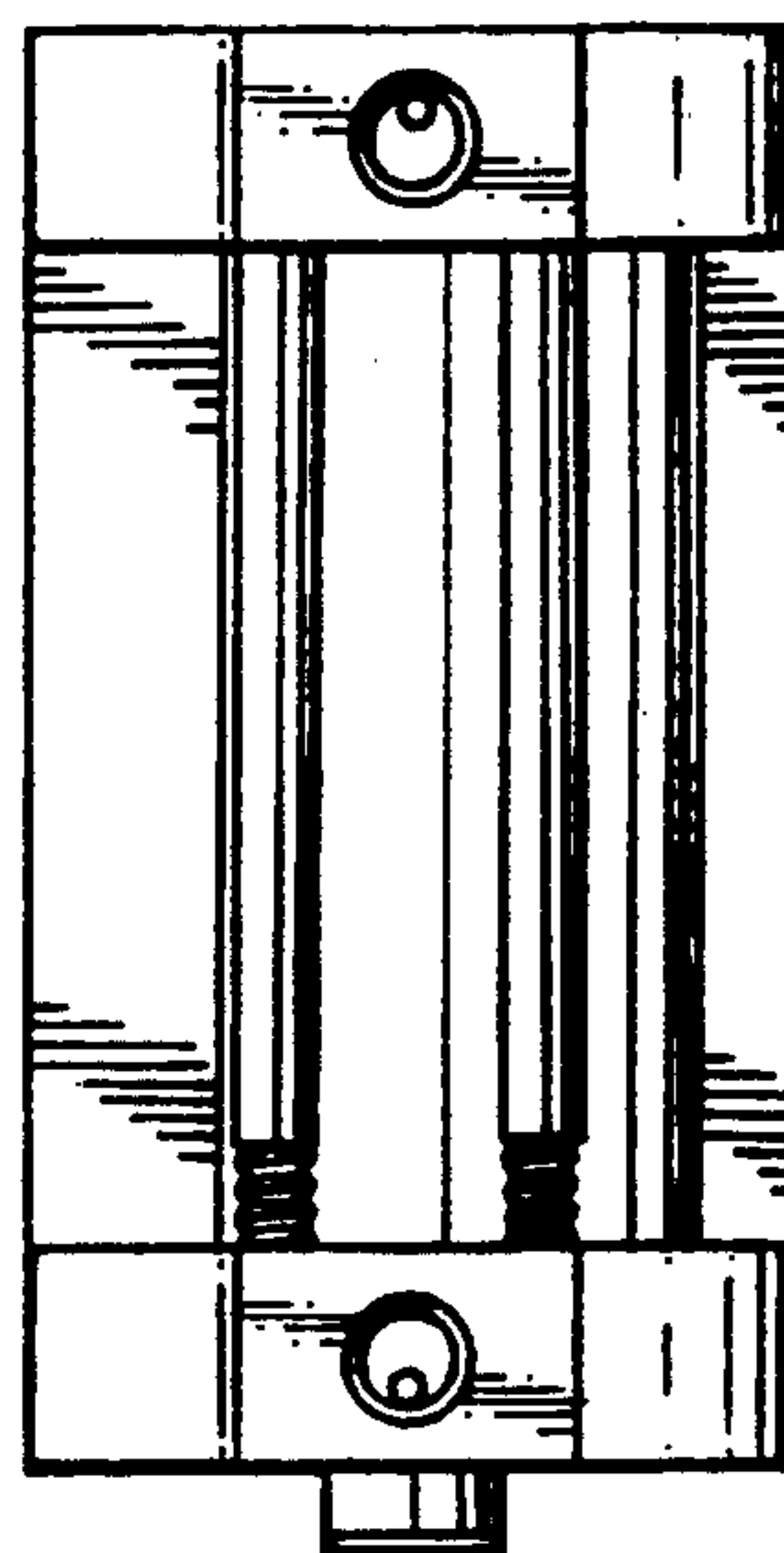


FIG. 4

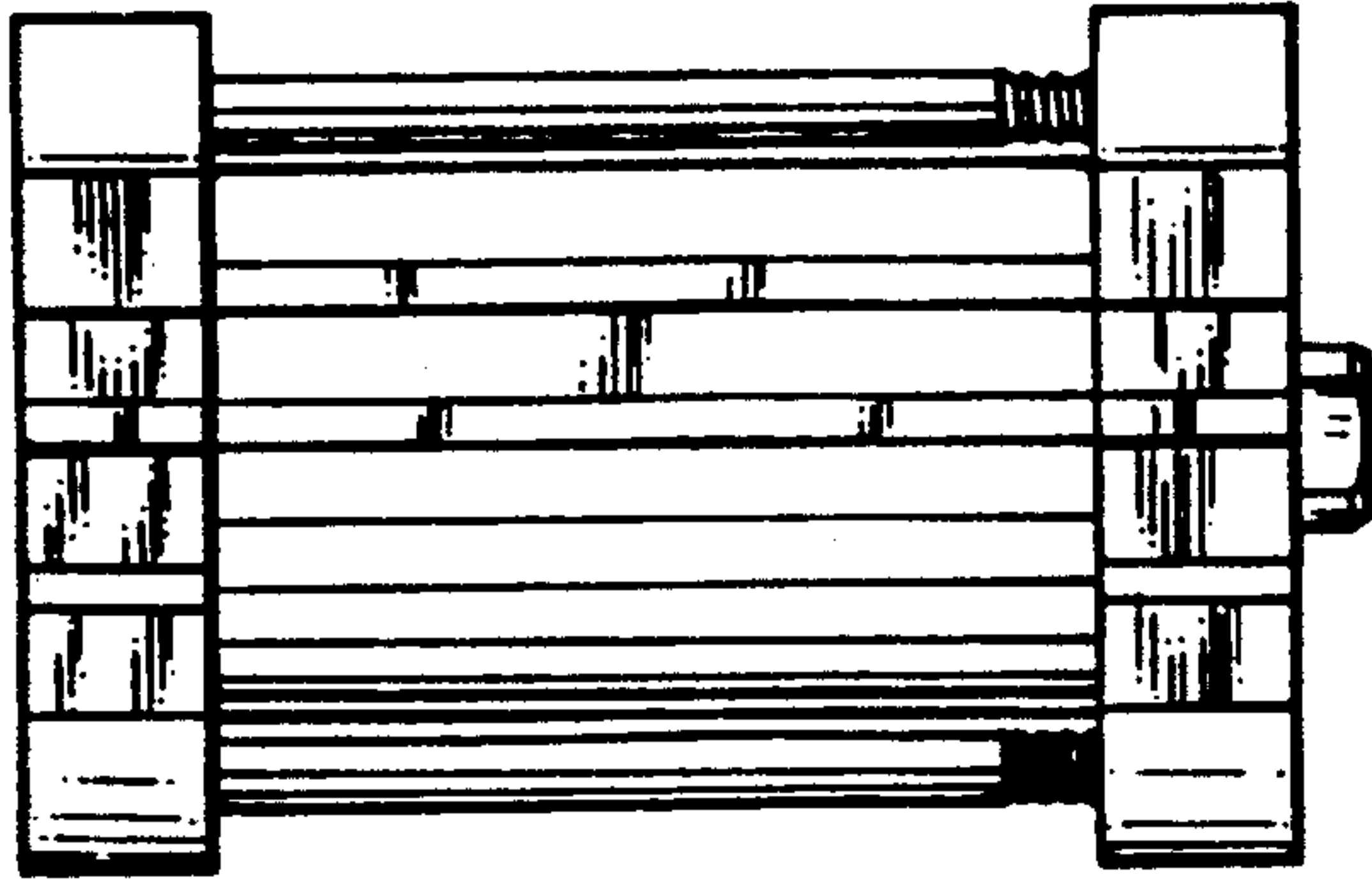


FIG. 5

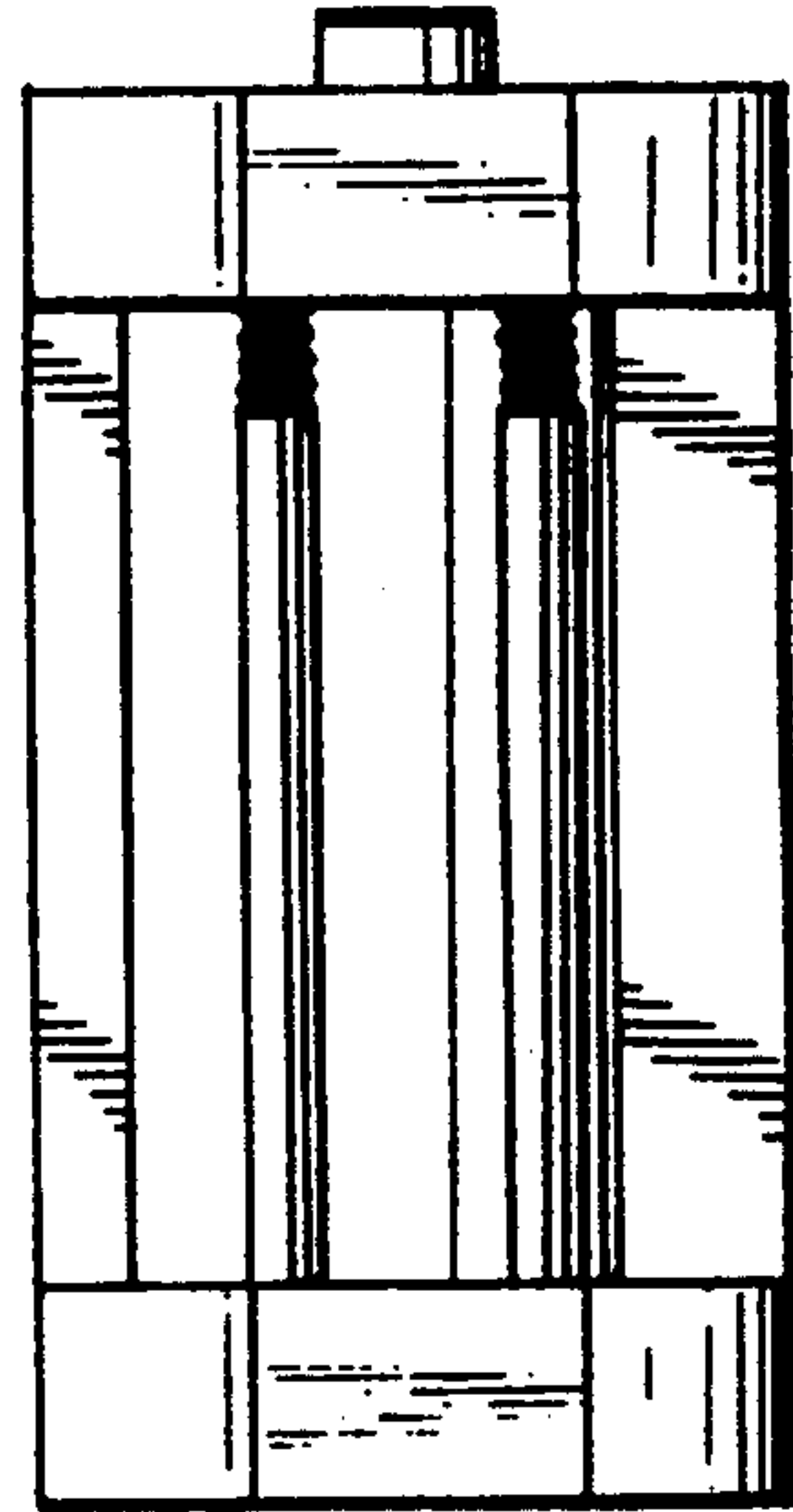


FIG. 6

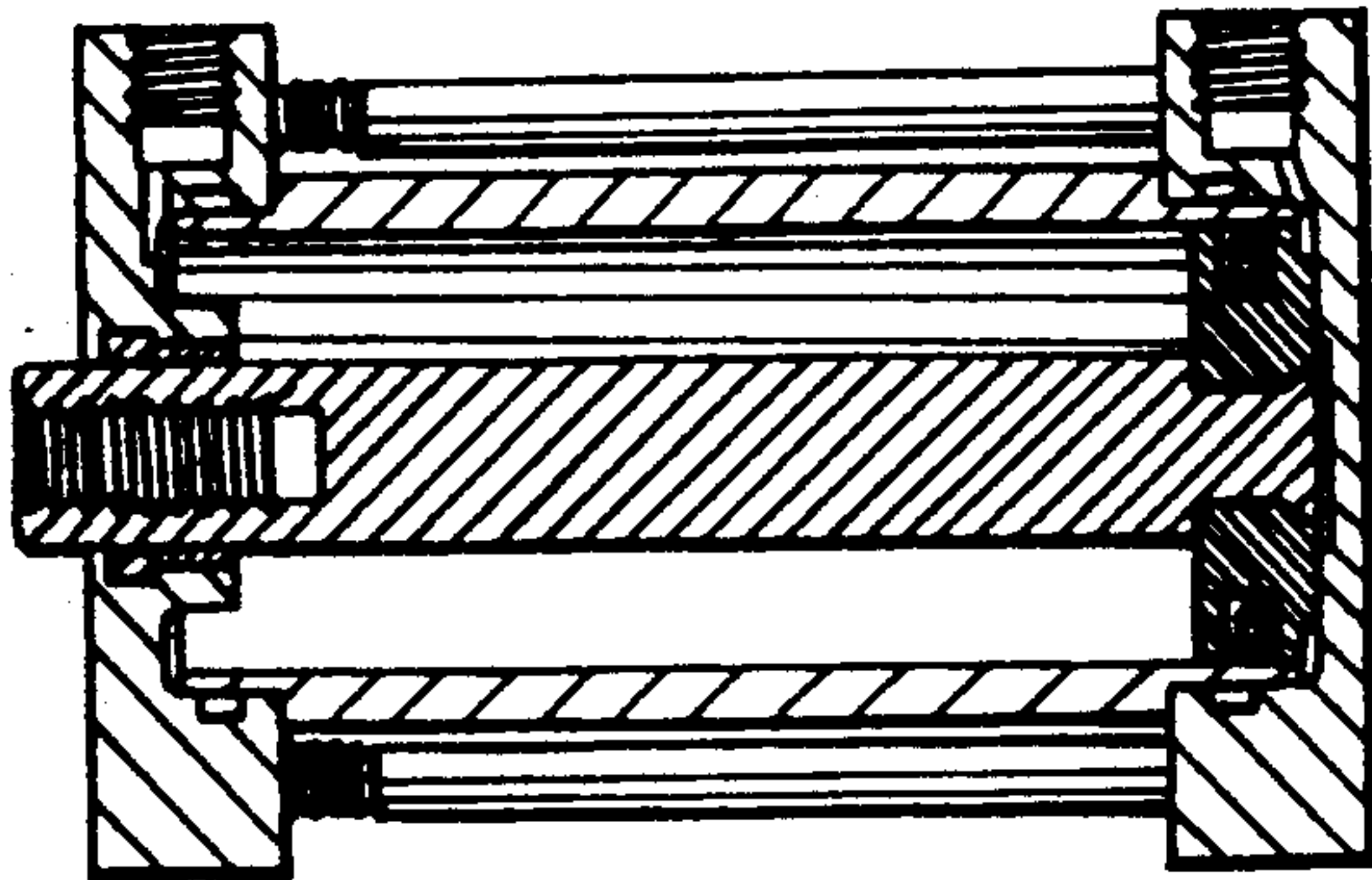


FIG. 7

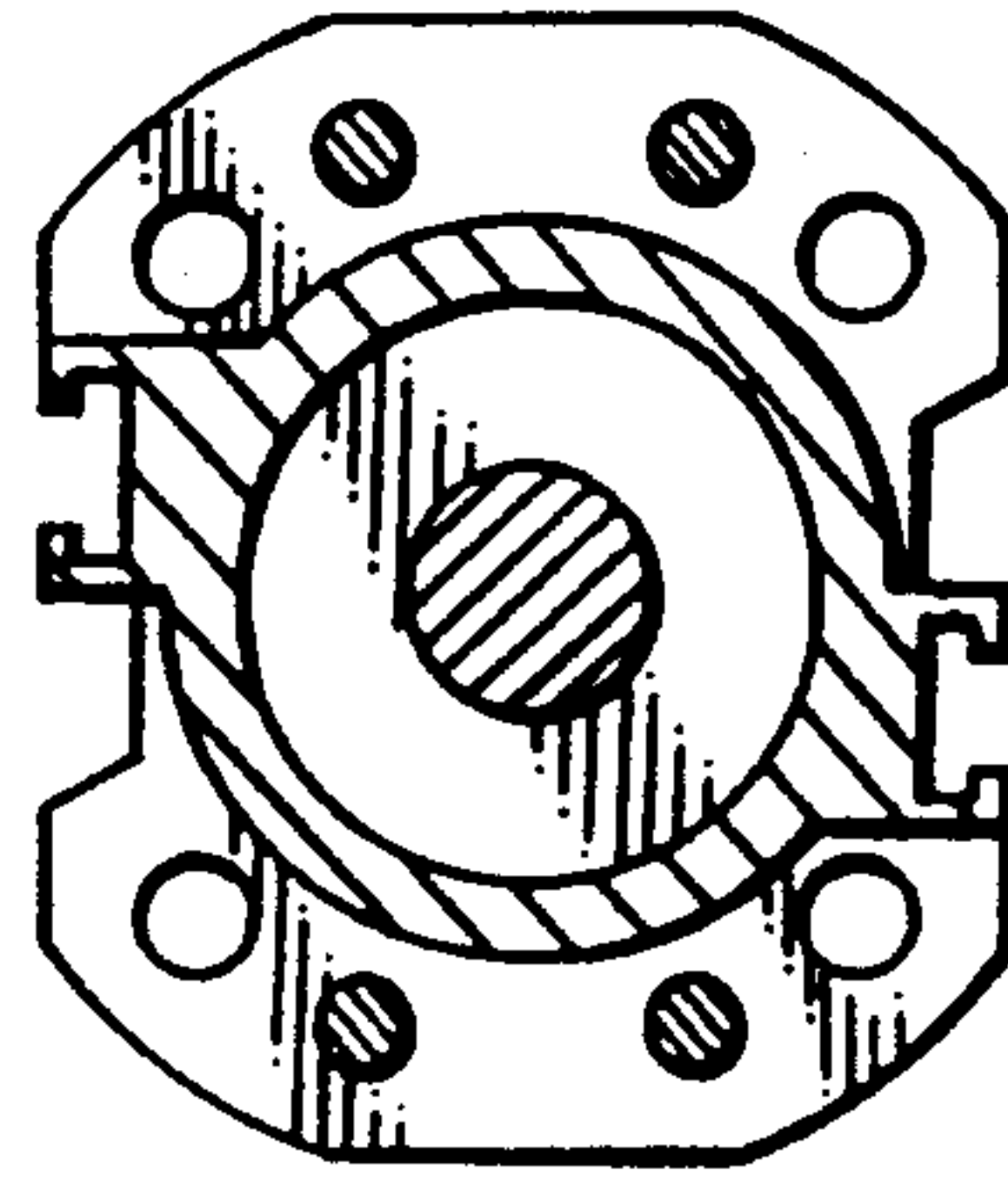


FIG. 8

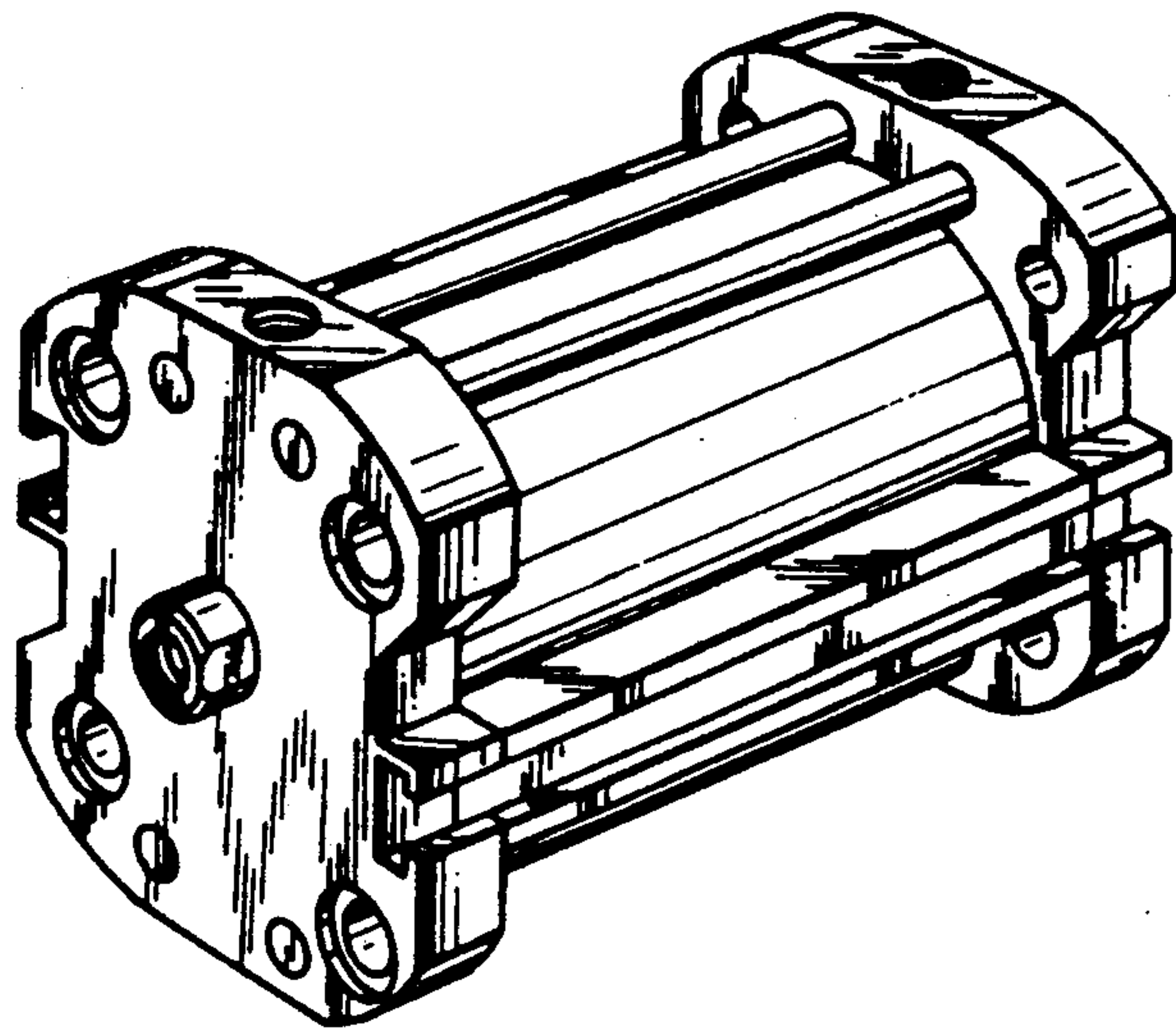


FIG. 9

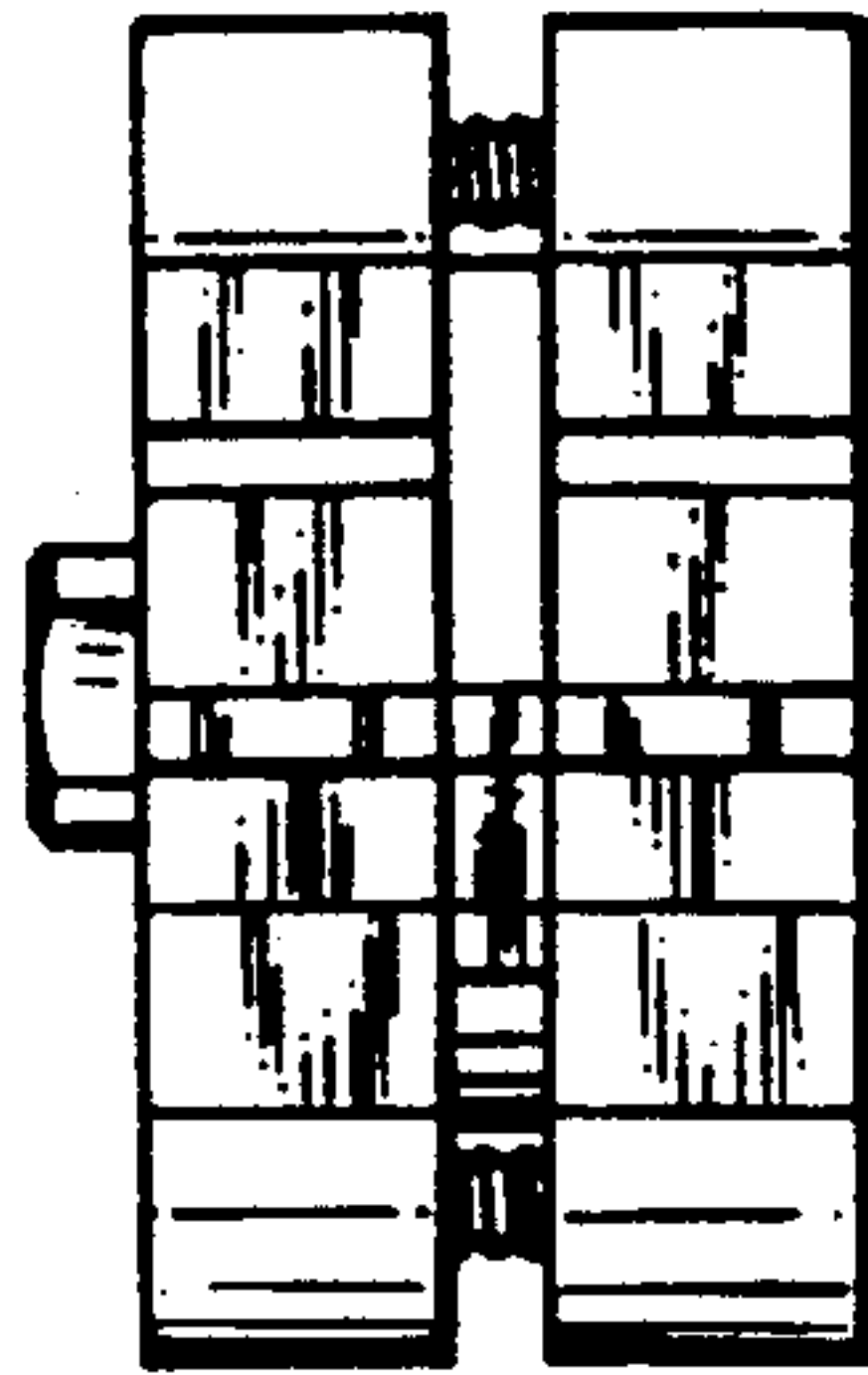


FIG. 10



FIG. 11