



US00D333468S

# United States Patent [19]

Hansen

[11] Patent Number: **Des. 333,468**

[45] Date of Patent: **\*\* Feb. 23, 1993**

[54] **TRANSDUCER**

[75] Inventor: **Kaj B. Hansen, Horsens, Denmark**

[73] Assignee: **Kirk Acoustics A/S, Horsens, Denmark**

[\*\*] Term: **14 Years**

[21] Appl. No.: **505,684**

[22] Filed: **Apr. 9, 1990**

[30] **Foreign Application Priority Data**

Oct. 9, 1989 [DK] Denmark ..... 1223

[52] U.S. Cl. .... **D14/222**

[58] Field of Search ..... **D14/204-222;**  
**181/144, 148, 150, 157, 199; 381/87-90**

[56] **References Cited**

**U.S. PATENT DOCUMENTS**

- D. 215,853 11/1969 Zar ..... D14/212
- D. 244,550 5/1977 Zuroski ..... D14/215
- D. 254,252 2/1980 Matsubara ..... 181/157
- D. 303,970 10/1989 Collins ..... D14/210

**OTHER PUBLICATIONS**

Stereo Review, Dec. 1987, p. 95, Speaker at lower right corner of page.

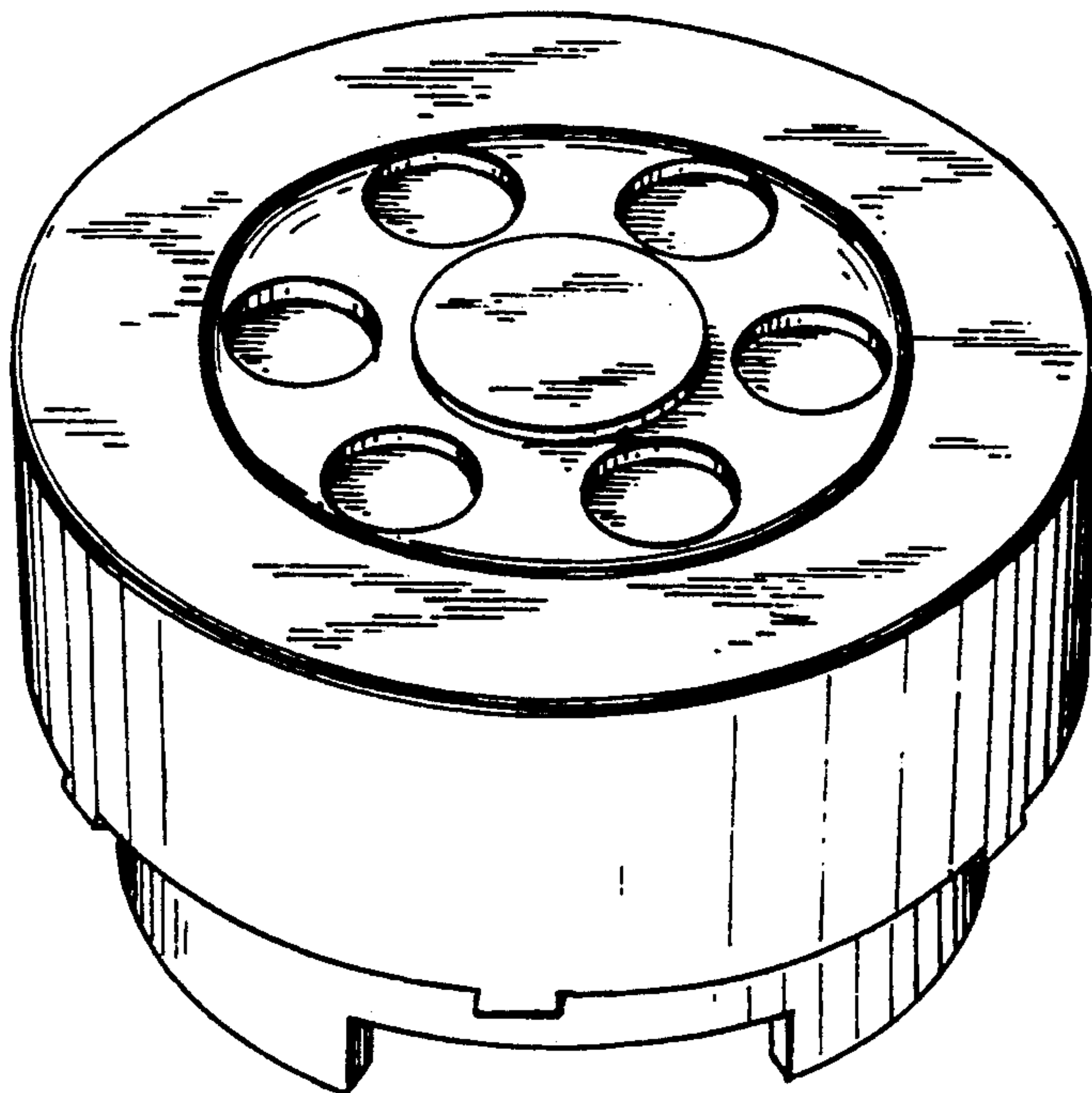
*Primary Examiner*—Melvin B. Feifer  
*Attorney, Agent, or Firm*—Spencer, Frank & Schneider

[57] **CLAIM**

The ornamental design for a transducer, as shown and described.

**DESCRIPTION**

FIG. 1 is a perspective view of a transducer showing my new design; and, FIG. 2 is a bottom perspective view thereof.



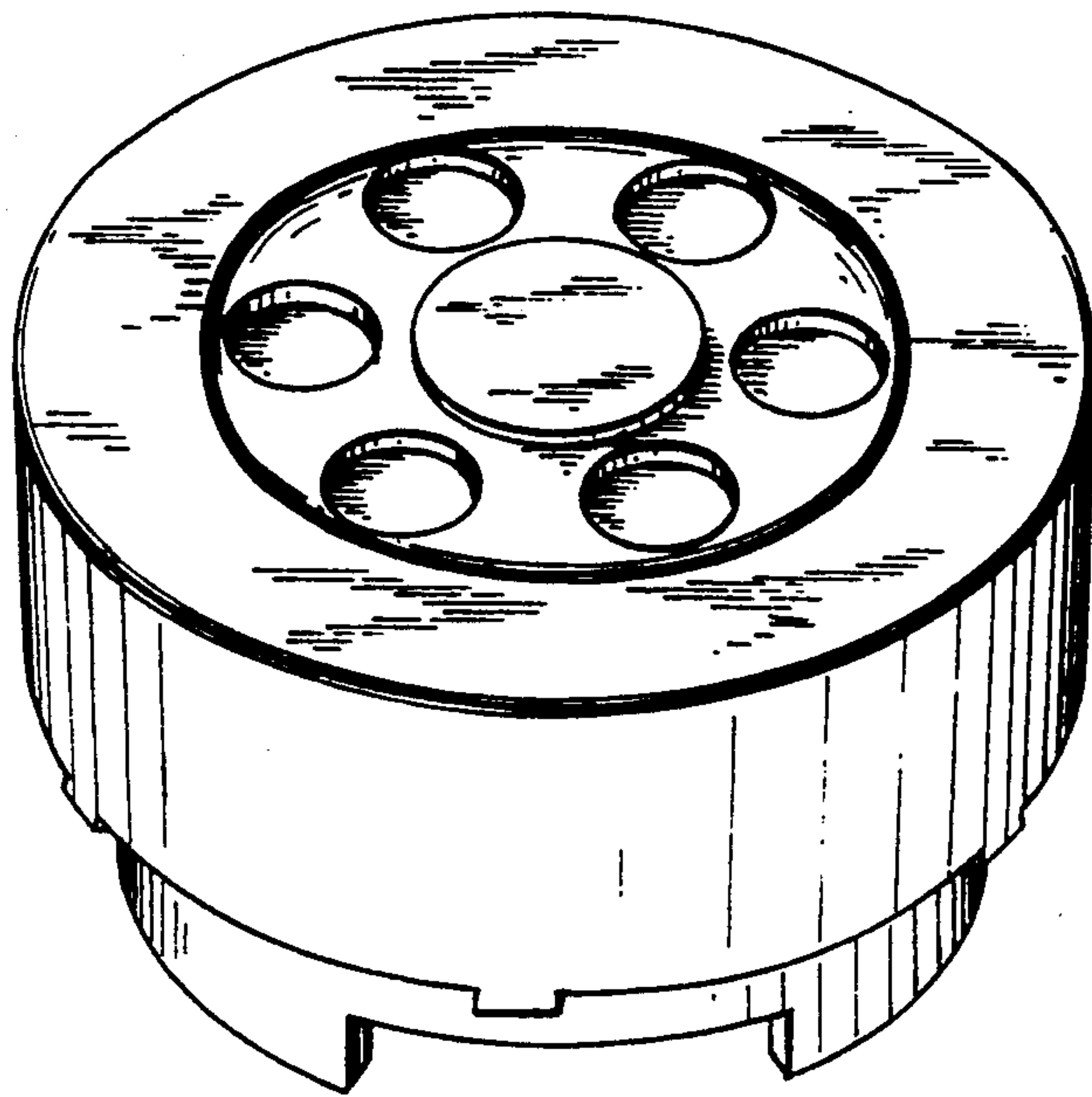


FIG. 1

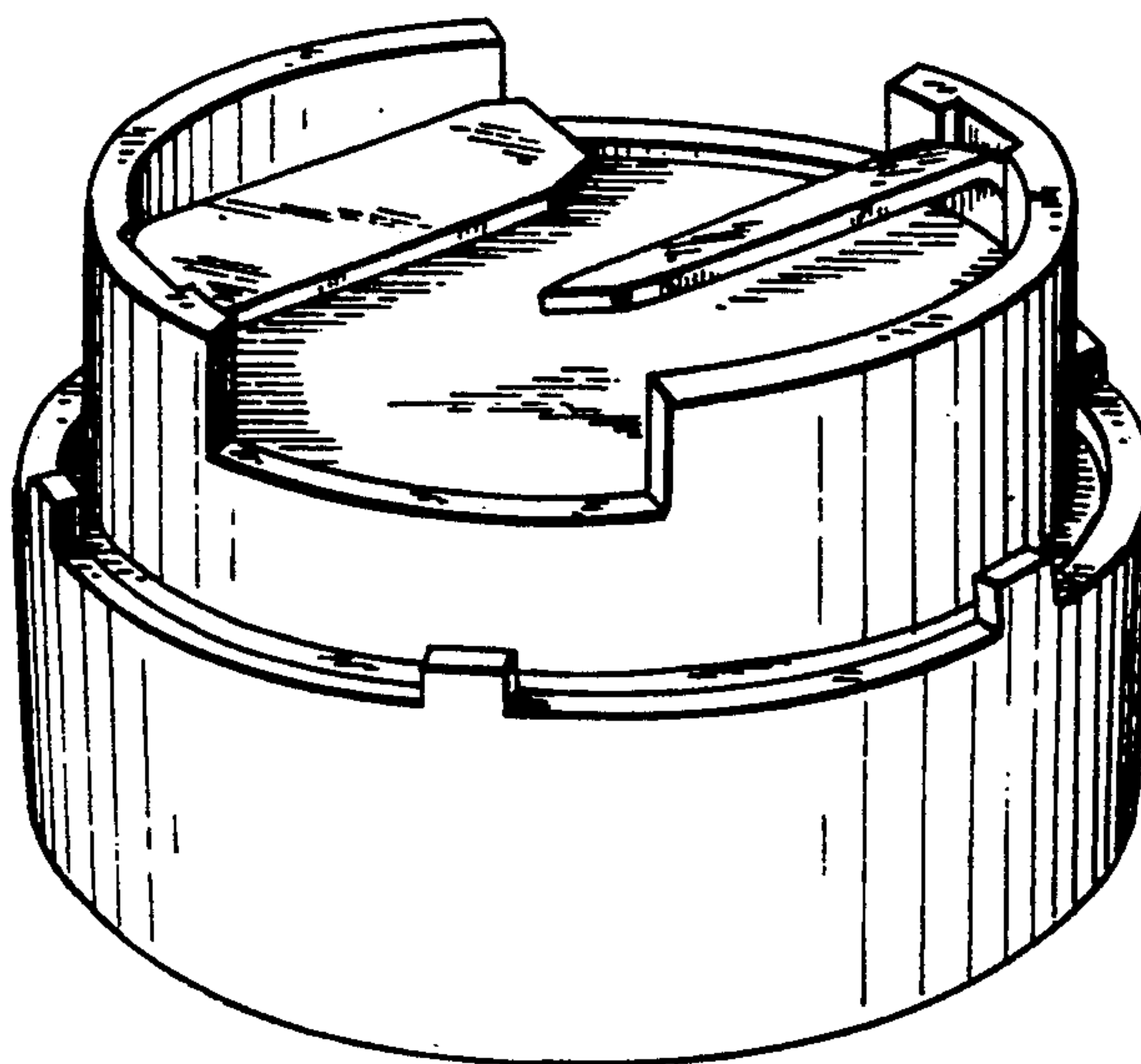


FIG. 2