



US00D333462S

United States Patent [19]
Tyson

[11] **Patent Number: Des. 333,462**
[45] **Date of Patent: ** Feb. 23, 1993**

[54] **PORTABLE ELECTRONIC MAP DISPLAY**
[76] **Inventor: Kenneth A. Tyson, 1808 N. 7th St., Zephyrhills, Fla. 34248**
[**] **Term: 14 Years**
[21] **Appl. No.: 479,751**
[22] **Filed: Feb. 14, 1990**
[52] **U.S. Cl. D14/113; D14/106**
[58] **Field of Search D14/100, 101, 105, 106, D14/115; D18/1, 7, 11, 12; D10/10; D19/61; 340/700, 706, 286.14, 988, 995, 996, 990, 712; 235/145 A, 145 R, 462, 472; 400/472, 473; 364/706-709.09, 436, 443, 444, 420, 449, 424.02, 424.04; 358/103; 353/11, 5; 368/22, 223**

4,698,759 10/1987 Eliason .
4,862,374 8/1989 Ziemann 364/449
5,059,970 10/1991 Raubenheimer et al. 364/449 X
5,067,081 11/1991 Person 340/995 X

FOREIGN PATENT DOCUMENTS

0154076 9/1983 Japan 235/145 R

Primary Examiner—Wallace R. Burke
Assistant Examiner—Freda S. Nunn
Attorney, Agent, or Firm—Terry M. Gernstein

[57] **CLAIM**

The ornamental design for a portable electronic map display, as shown and described.

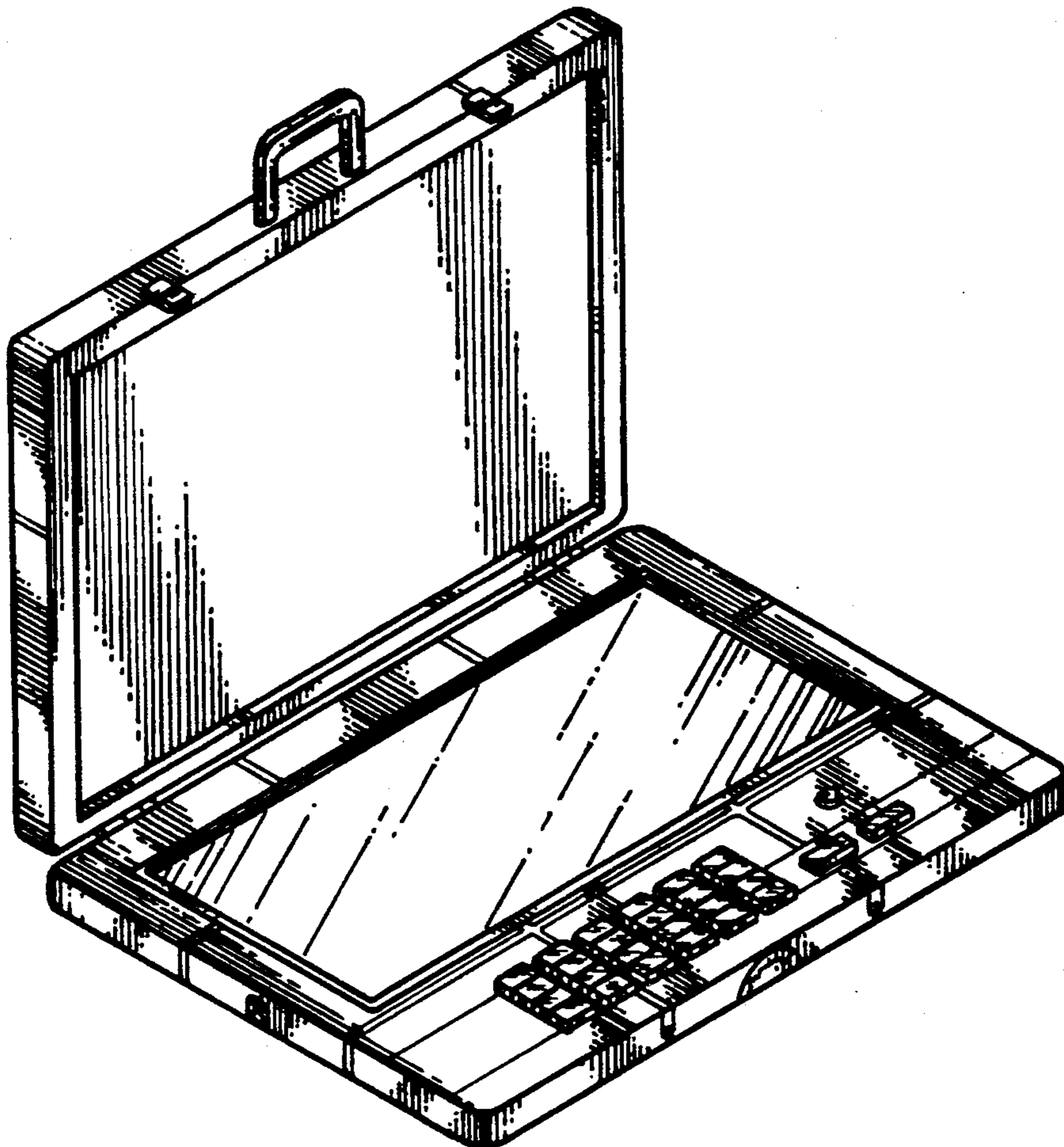
DESCRIPTION

FIG. 1 is a perspective view of a portable electronic map display showing my new design in the open position;
FIG. 2 is a bottom plan view thereof;
FIG. 3 is a top plan view thereof;
FIG. 4 is a side elevational view thereof, the opposite side being identical in appearance;
FIG. 5 is a rear elevational view thereof; and,
FIG. 6 is a front elevational view thereof.

[56] **References Cited**

U.S. PATENT DOCUMENTS

D. 308,861 6/1990 Tsukada et al. D14/106
4,312,577 1/1982 Fitzgerald 364/444 X
4,437,085 3/1984 Salant .
4,437,739 3/1984 Haskin 353/11 X
4,558,300 12/1985 Goldman .
4,570,227 2/1986 Tachi et al. 364/444



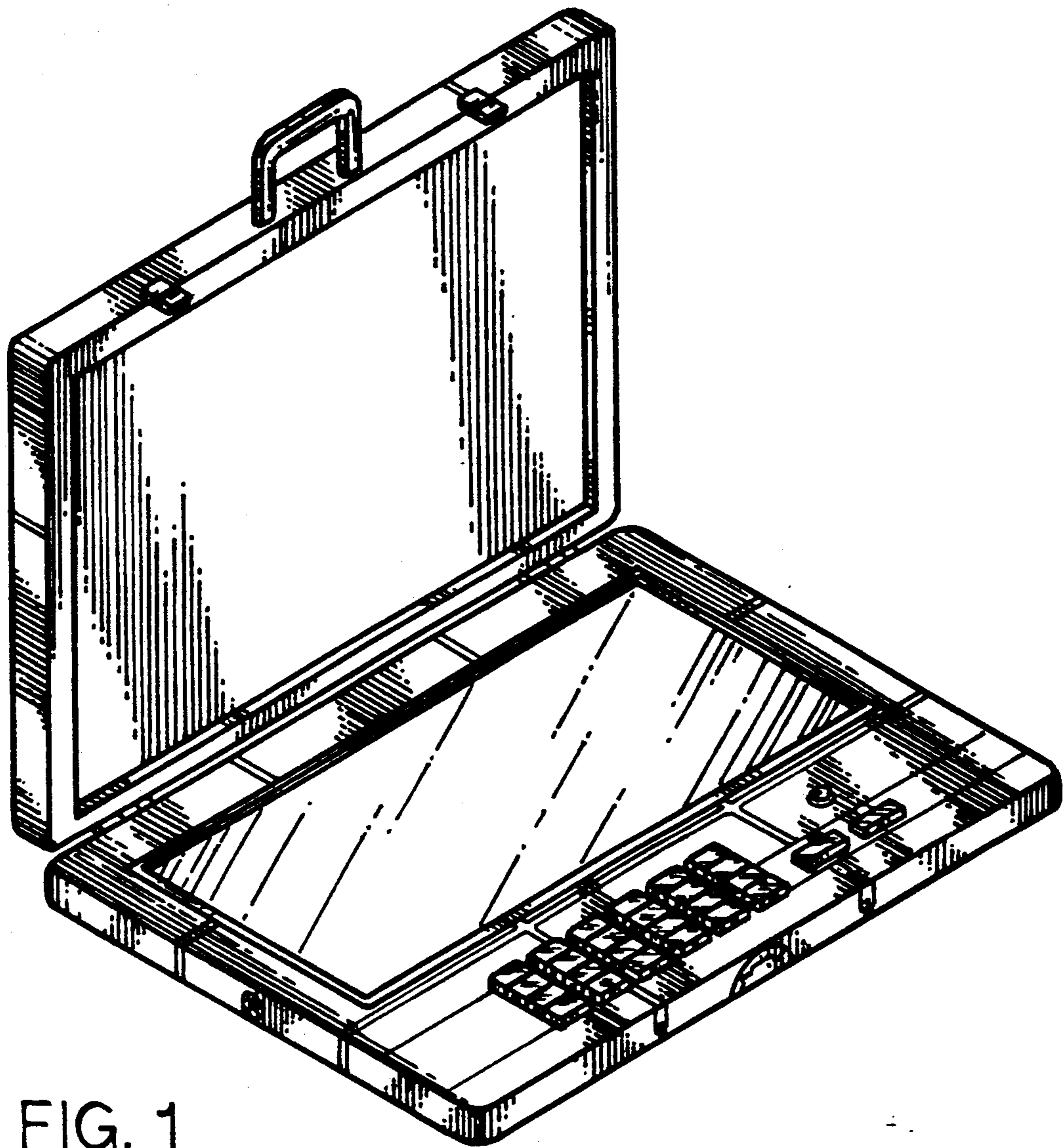


FIG. 1

FIG. 6



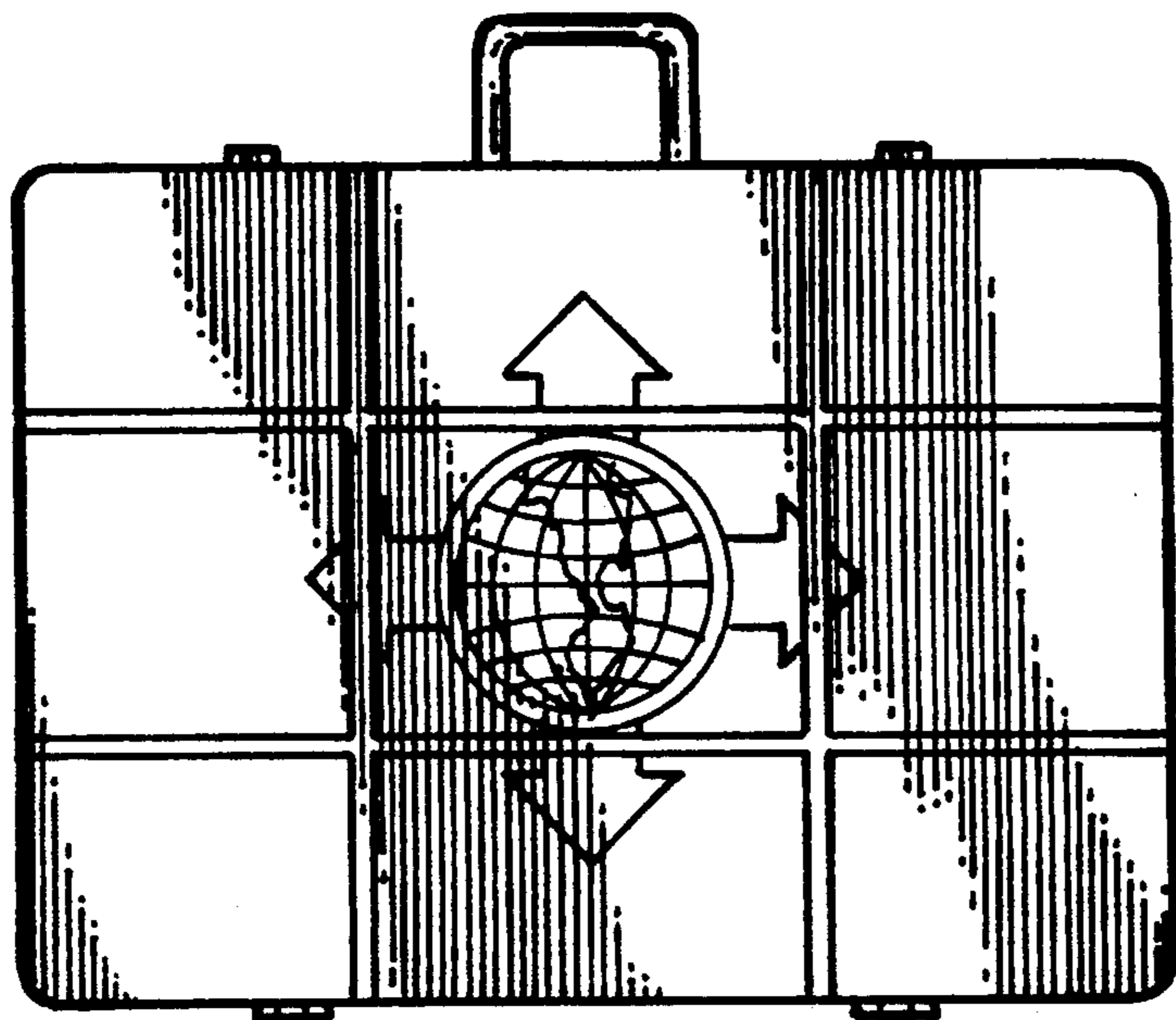


FIG. 2

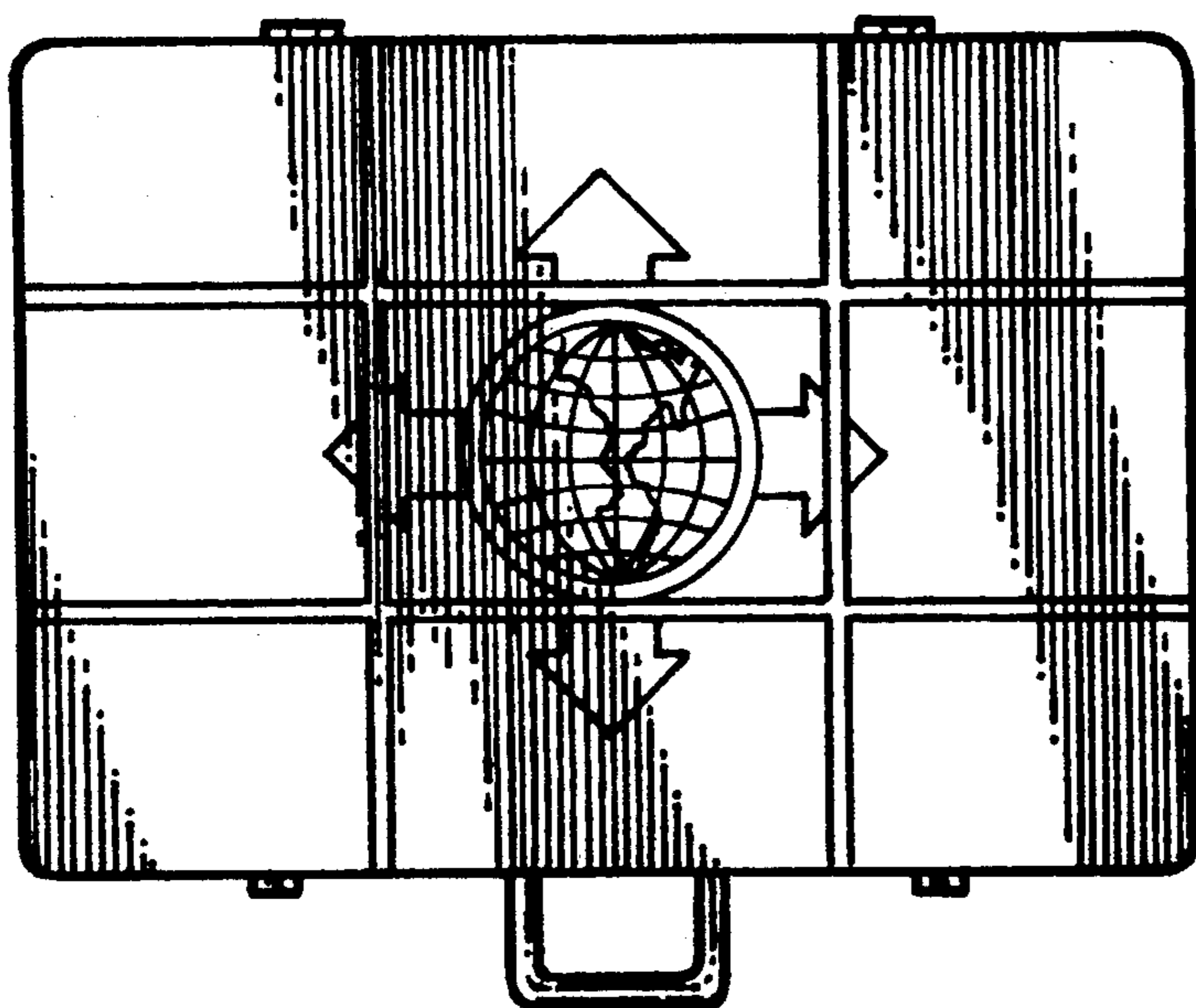


FIG. 3



FIG. 5



FIG. 4