



US00D333460S

# United States Patent [19]

[11] Patent Number: **Des. 333,460**

Huang

[45] Date of Patent: **\*\* Feb. 23, 1993**

## [54] ELECTRICAL CONNECTOR

[76] Inventor: **George Y. Huang**, 4-2F, No. 5, Sec. 1, Pa-Te Rd., Taipei City, Taiwan

[\*\*] Term: **14 Years**

[21] Appl. No.: **639,943**

[22] Filed: **Jan. 11, 1991**

[52] U.S. Cl. .... **D13/147**

[58] Field of Search ..... **D13/147; 439/345, 368, 439/625, 660, 727**

## [56] References Cited

### U.S. PATENT DOCUMENTS

D. 196,912	11/1963	Kostich .....	D13/147
D. 264,965	6/1982	Frantz .....	D13/147
D. 275,850	10/1984	Wilson .....	D13/147
D. 297,530	9/1988	Cooper .....	D13/147
D. 312,816	12/1990	Huang .....	D13/147
4,689,013	7/1987	Farrar et al. ....	D13/147 X

## OTHER PUBLICATIONS

Gender Changer on p. 101 of *Businessland* 1989 Catalog.

*Primary Examiner*—Wallace R. Burke

*Assistant Examiner*—J. Sincavage

*Attorney, Agent, or Firm*—Leydig, Voit & Mayer

## [57] CLAIM

The ornamental design for electrical connector, as shown and described.

## DESCRIPTION

FIG. 1 is a front elevational view of electrical connector showing my new design;

FIG. 2 is a rear elevational view thereof;

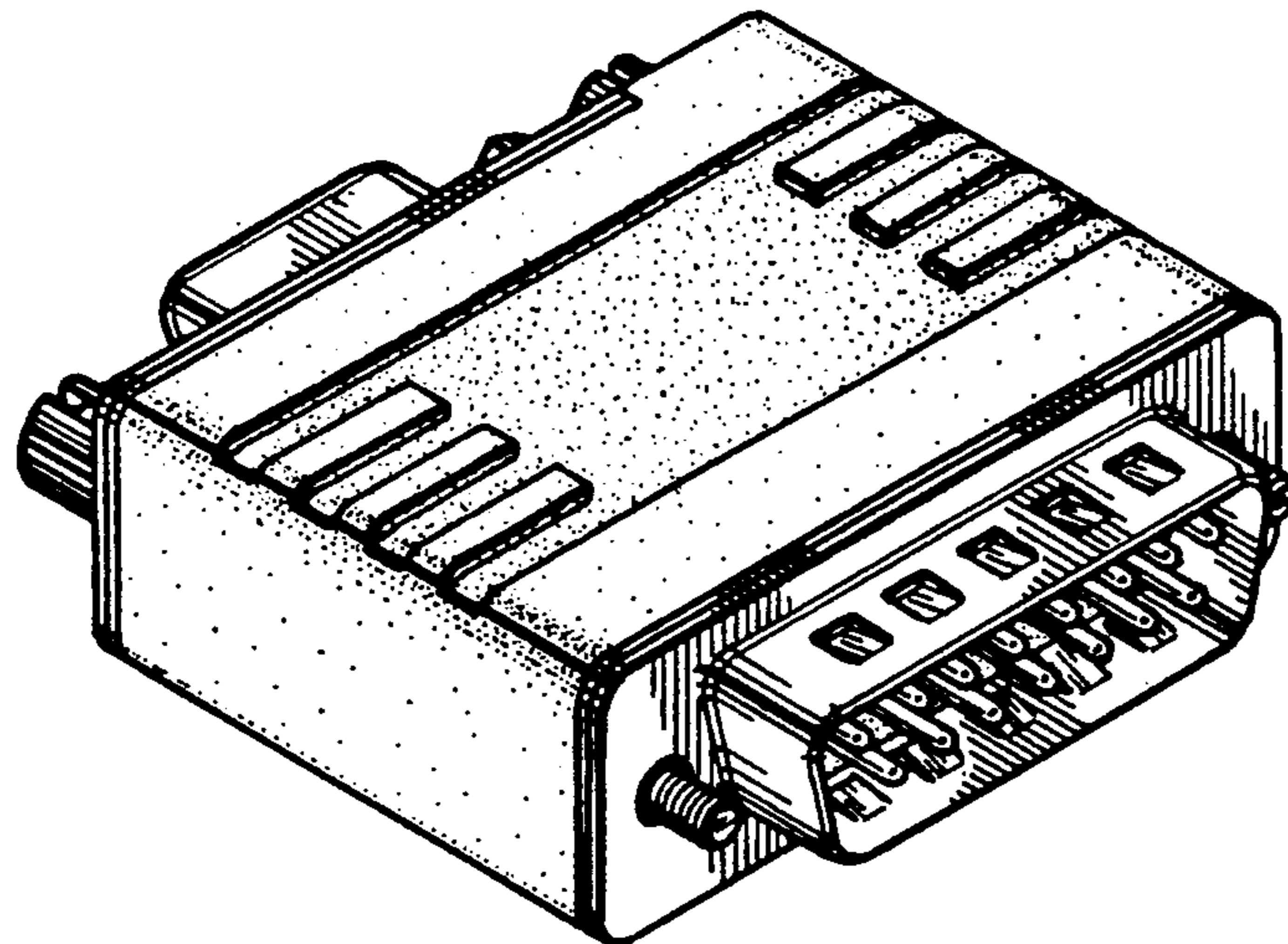
FIG. 3 is a left side view thereof;

FIG. 4 is a right side view thereof;

FIG. 5 is a top plan view thereof;

FIG. 6 is a bottom plan view thereof; and,

FIG. 7 is a perspective view thereof.



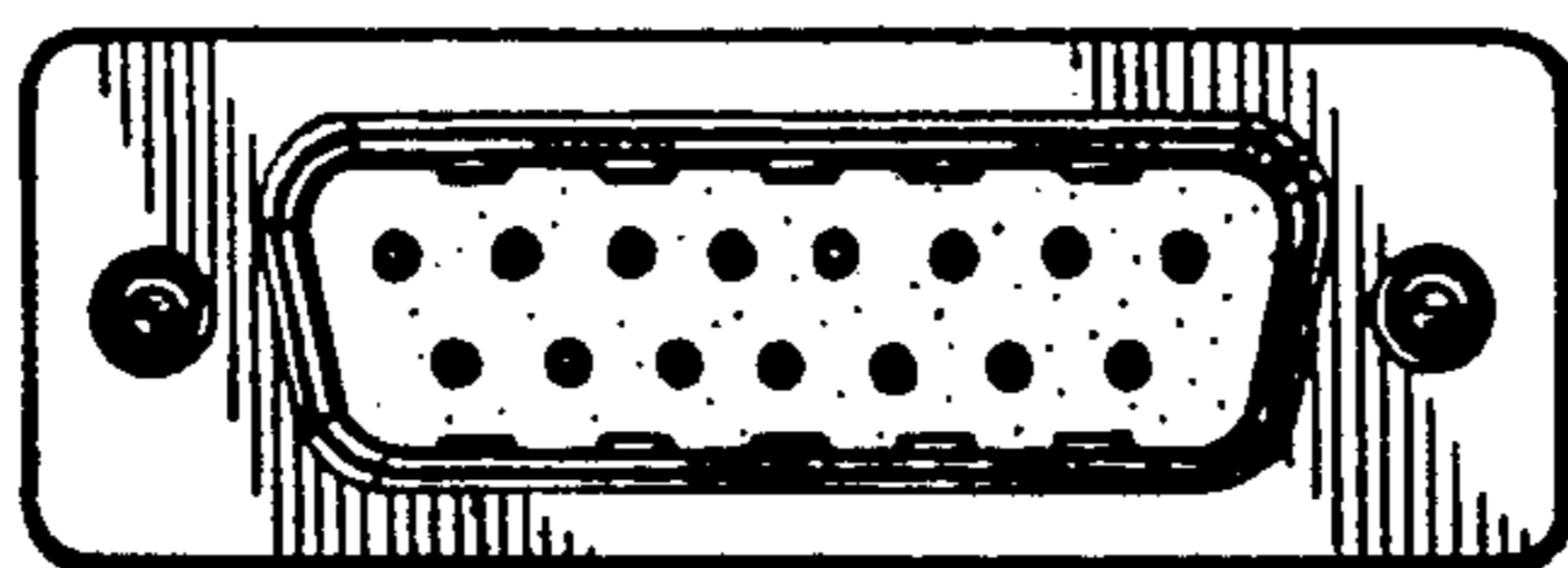


FIG. 1

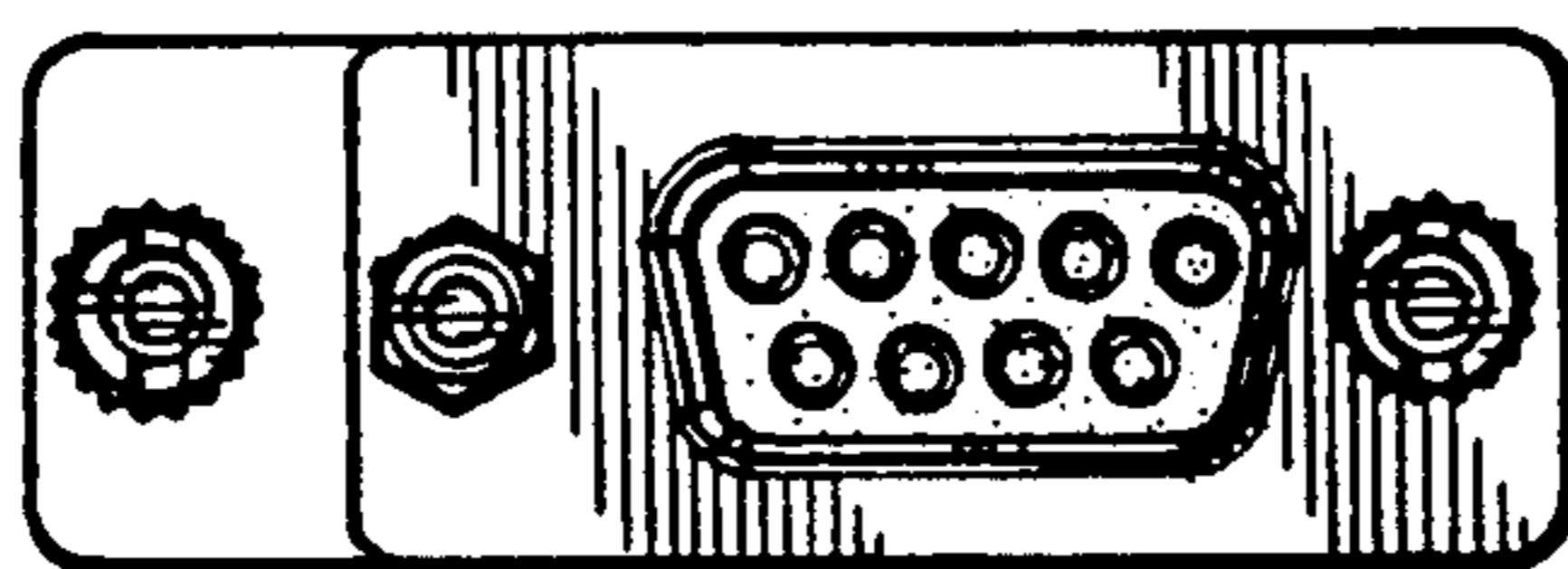


FIG. 2



FIG. 3

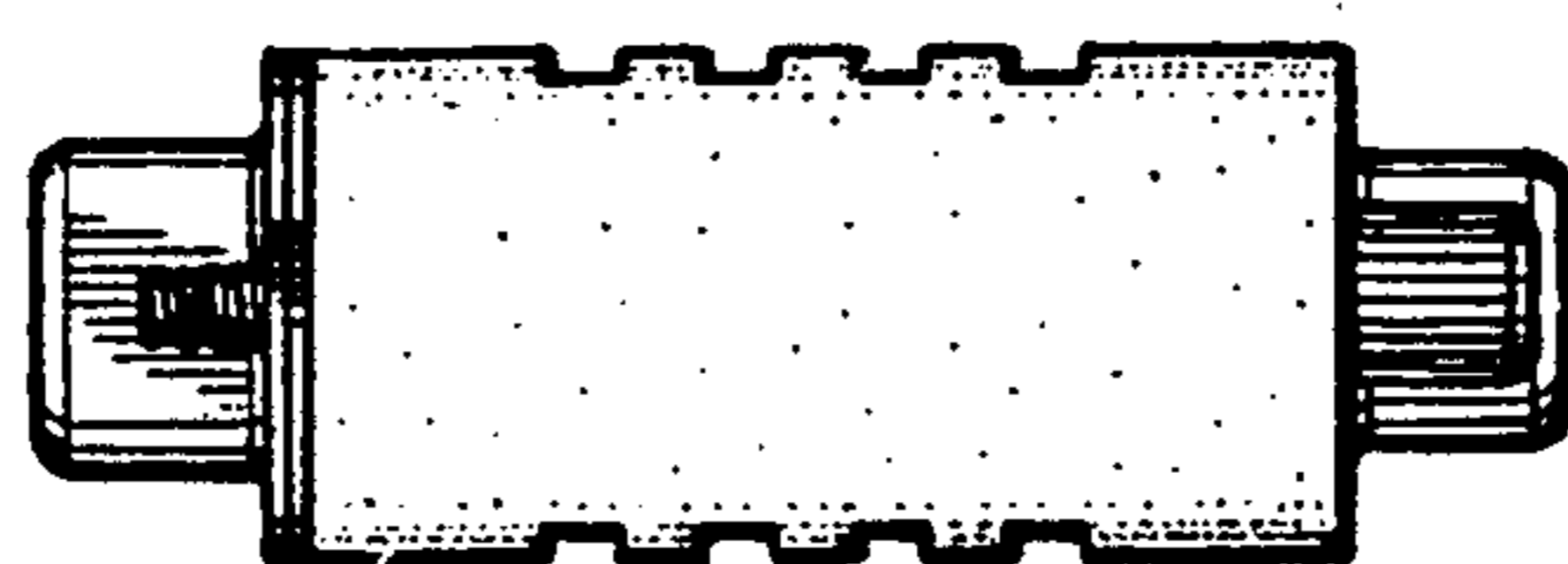


FIG. 4

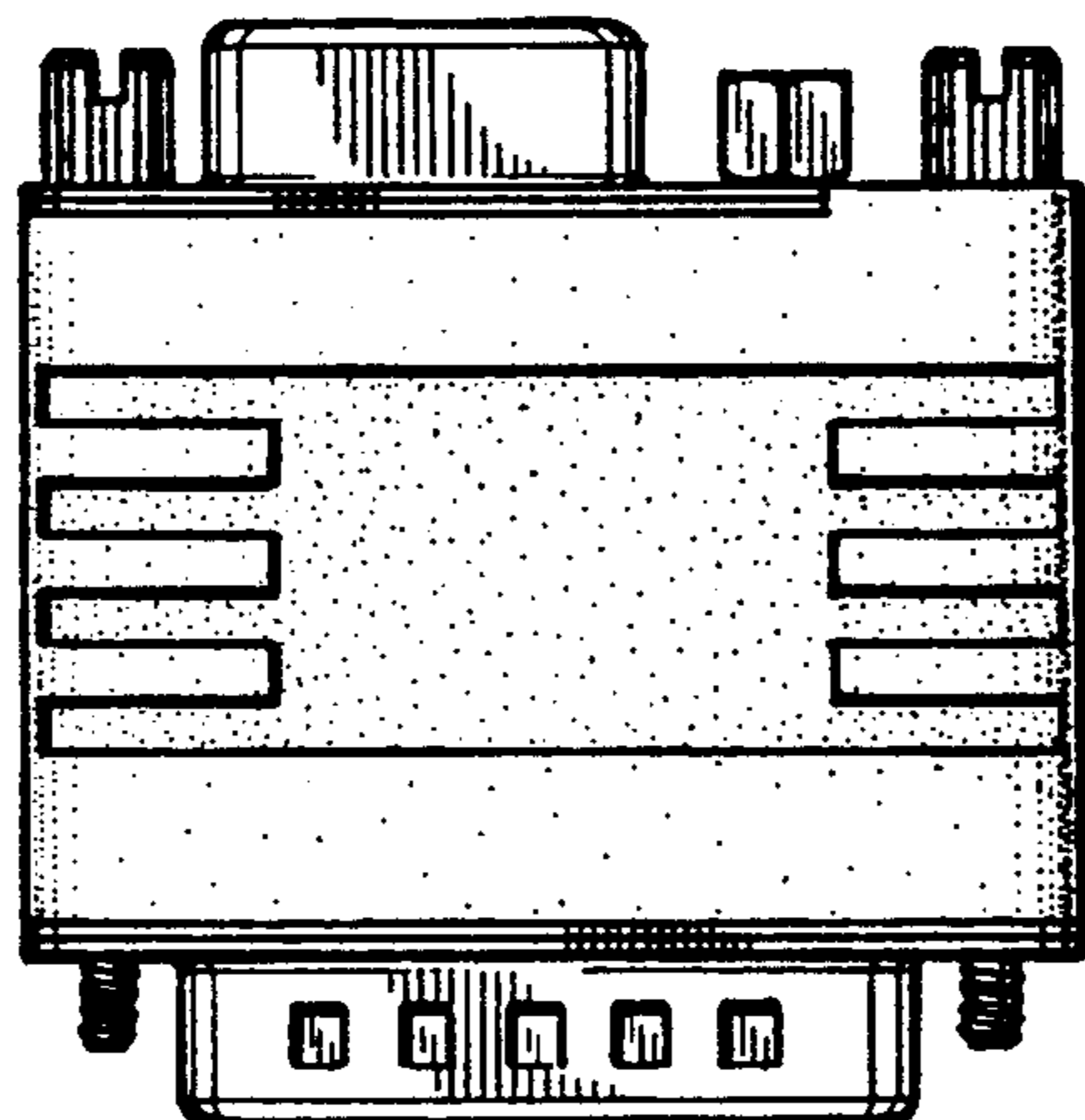


FIG. 5

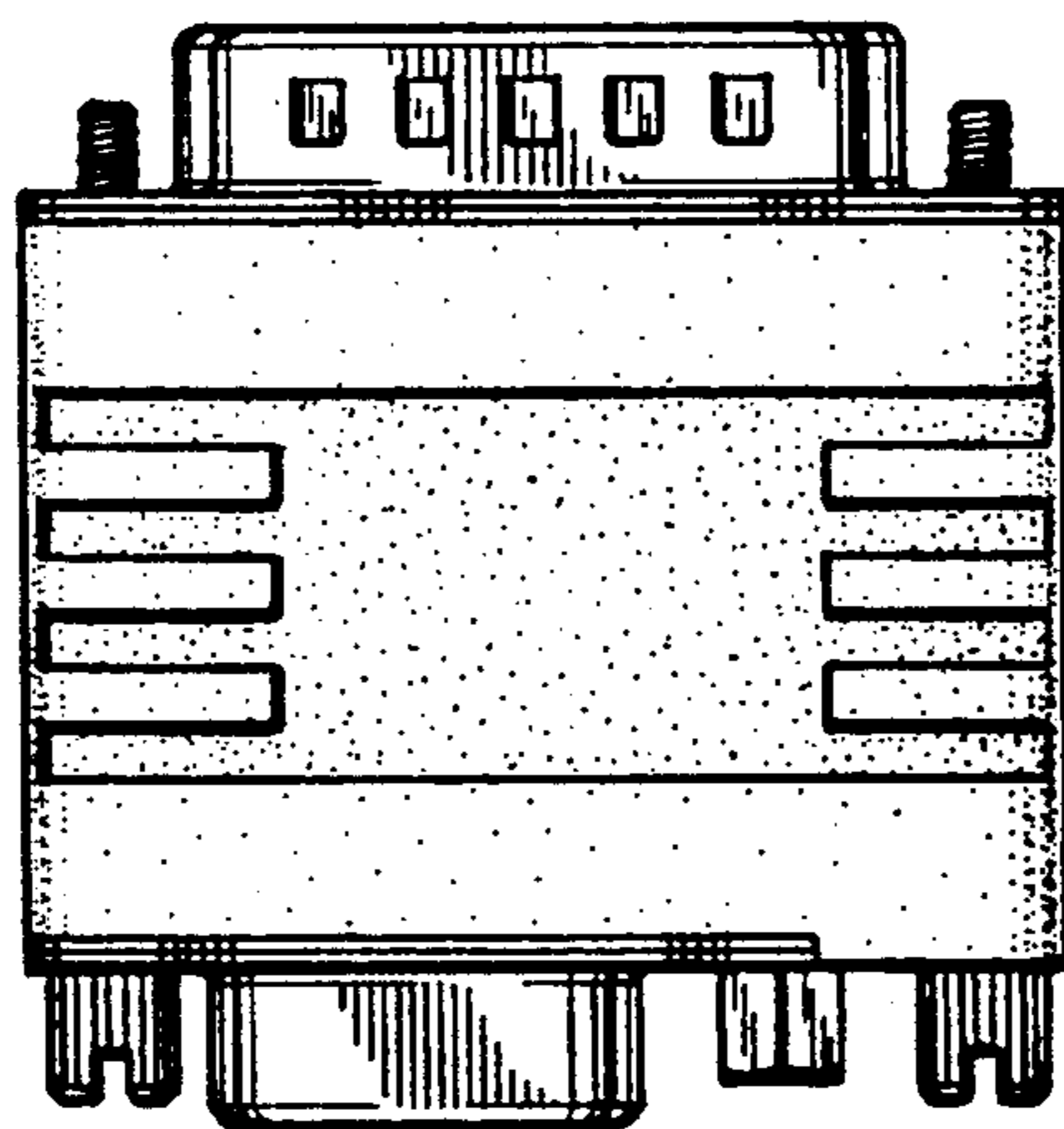


FIG. 6

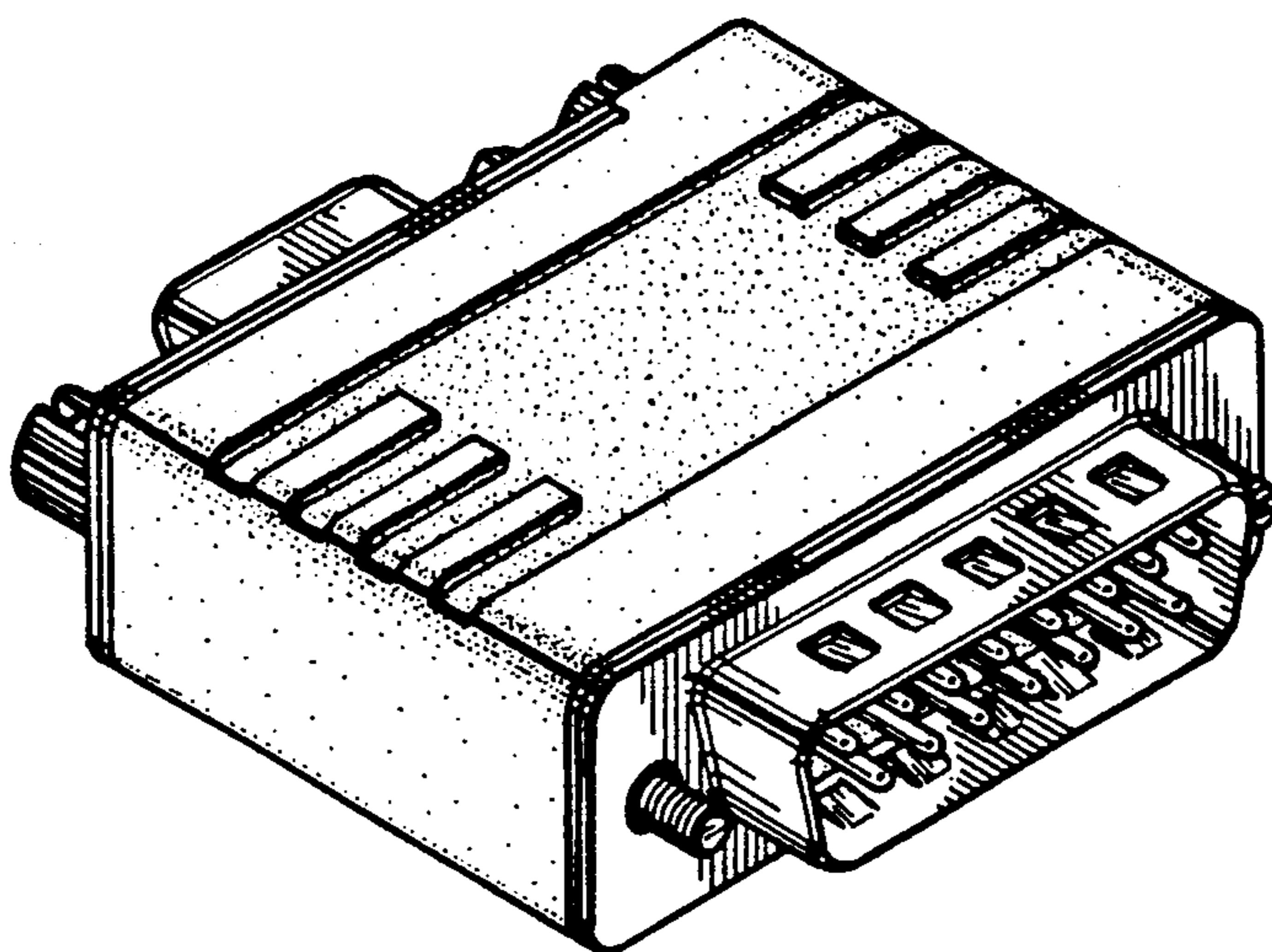


FIG. 7