



US00D333457S

United States Patent [19]

La Foe et al.

[11] Patent Number: **Des. 333,457**

[45] Date of Patent: **** Feb. 23, 1993**

[54] **VEHICLE BUMPER GUARD**

[76] Inventors: **Paul W. La Foe; Donna La Foe**, both of R.R. 3 Box 225, Veedersburg, Ind. 47987

[**] Term: **14 Years**

[21] Appl. No.: **741,162**

[22] Filed: **Aug. 7, 1991**

[52] U.S. Cl. **D12/171**

[58] Field of Search **D12/171, 167; 293/115, 293/38, 144**

[56] **References Cited**

U.S. PATENT DOCUMENTS

D. 280,398 9/1985 Milton D12/171
1,431,117 10/1921 Israel 293/144

2,314,600 3/1943 Reyburn 293/144
3,431,005 3/1969 Preifert 293/144

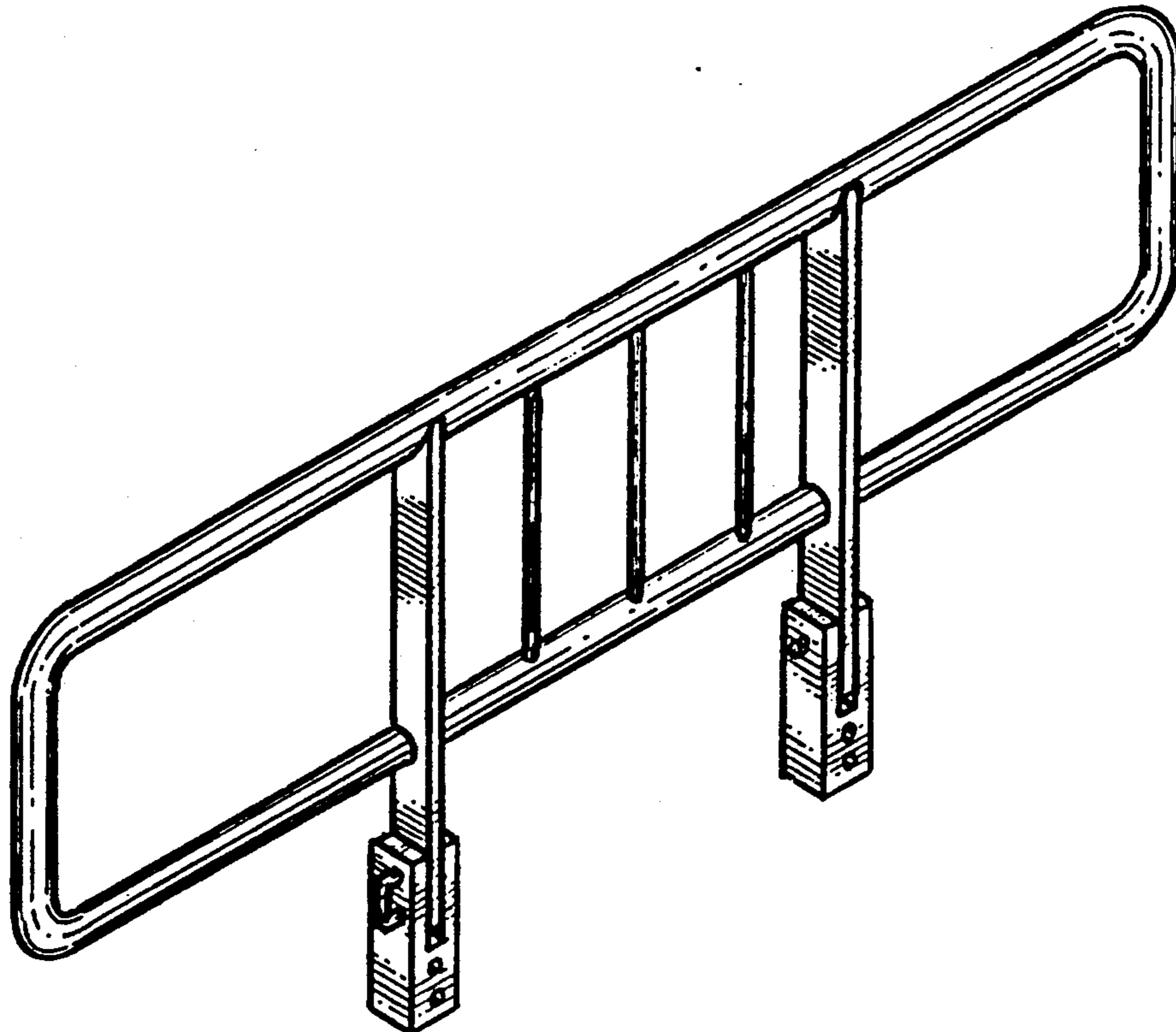
Primary Examiner—James M. Gandy
Attorney, Agent, or Firm—Terry M. Gernstein

[57] **CLAIM**

The ornamental design for a vehicle bumper guard, as shown and described.

DESCRIPTION

FIG. 1 is a perspective view of the vehicle bumper guard embodying the design of the present invention. FIG. 2 is an end elevational view thereof, the end opposite being a mirror image of the end shown in FIG. 2. FIG. 3 is a front elevational view thereof, the rear being a mirror image of the front shown in FIG. 3. FIG. 4 is a top plan view thereof; and, FIG. 5 is a bottom plan view thereof.



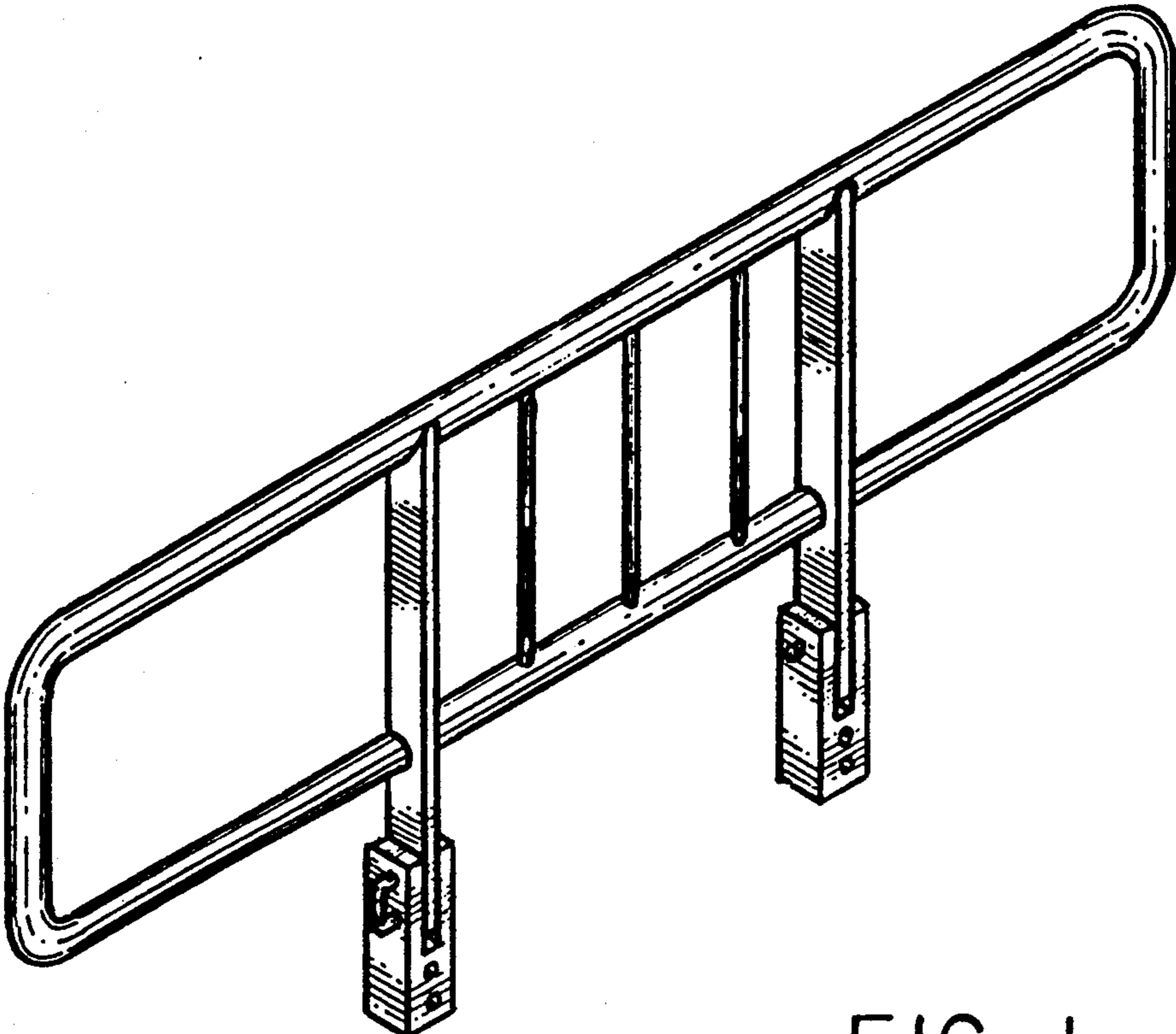


FIG. 1

FIG. 2

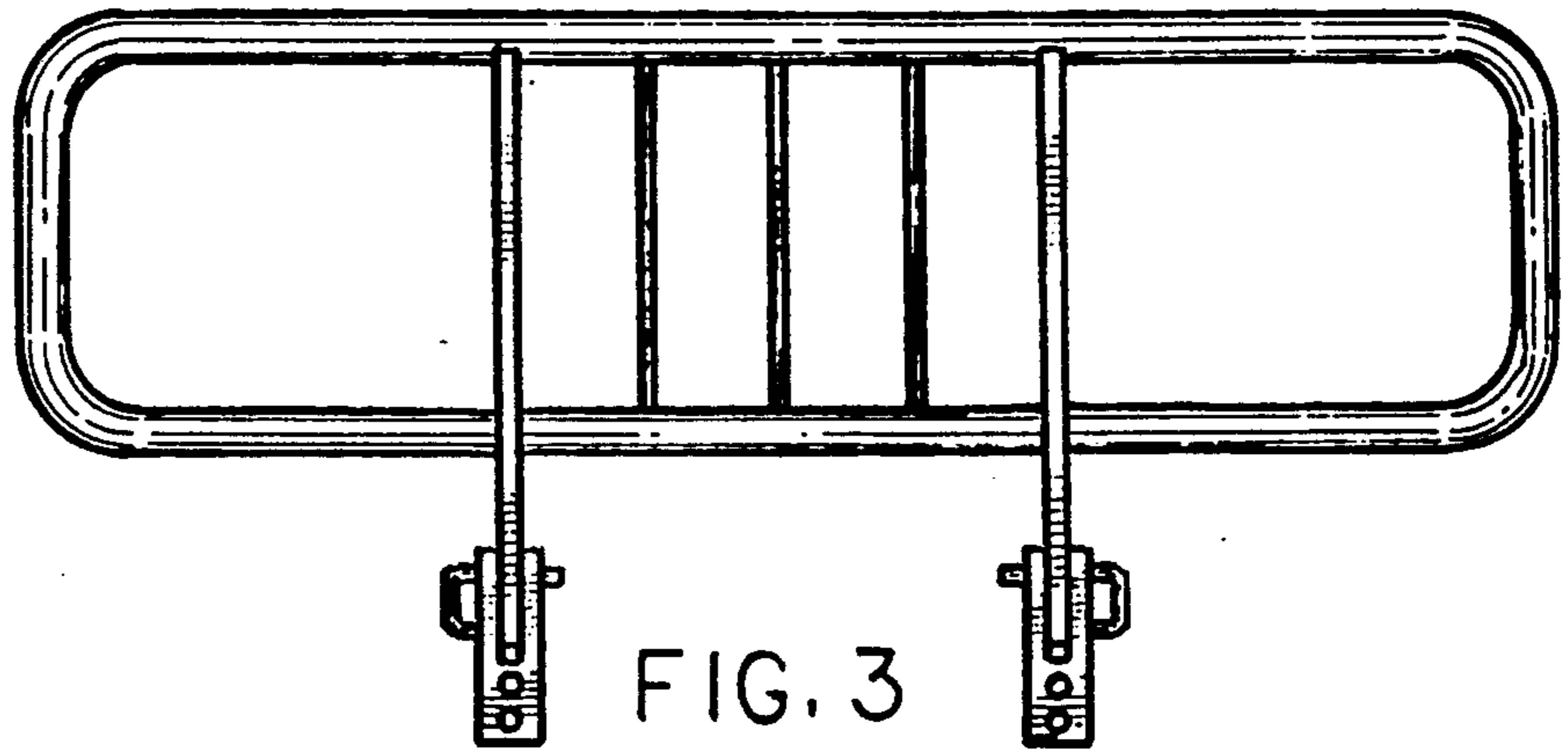


FIG. 3

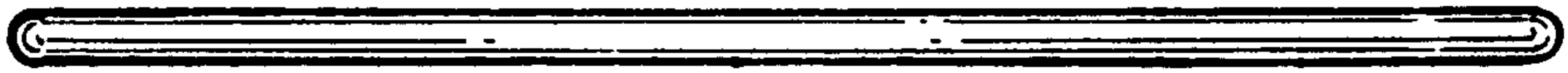


FIG. 4

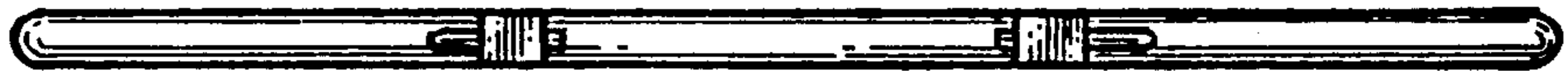


FIG. 5