



US00D333423S

United States Patent [19]

[11] Patent Number: **Des. 333,423**

Sigle

[45] Date of Patent: **** Feb. 23, 1993**

[54] **CLIP FOR ATTACHING A WIRE STRAND TO A FENCE POST**

[76] Inventor: **Arris A. Sigle**, H.C. 1, Box 2, Luray, Kans. 67649

[**] Term: **14 Years**

[21] Appl. No.: **473,693**

[22] Filed: **Feb. 2, 1990**

[52] U.S. Cl. **D8/394**

[58] Field of Search **D8/349, 354, 356, 382, D8/394, 395; 248/316.7; 256/47, 54, DIG. 3**

[56] **References Cited**

U.S. PATENT DOCUMENTS

D. 265,381	7/1982	Borja	D8/395
D. 291,177	8/1987	Santucci et al.	D8/395
D. 301,303	5/1989	Hoover	D8/356
4,290,575	9/1981	Swartwout	248/316.7
4,792,122	12/1988	Smrt	256/54
4,804,166	2/1989	Makus	256/54

Primary Examiner—Bernard Ansher

Assistant Examiner—Sandra Morris

Attorney, Agent, or Firm—Litman, McMahon & Brown

[57] **CLAIM**

The ornamental design for a clip for attaching a wire strand to a fence post, as shown and described.

DESCRIPTION

FIG. 1 is a top, front, right side perspective view of a clip for attaching a wire strand to a fence post, showing my new design;

FIG. 2 is a top plan view thereof, the bottom being a mirror image, the broken line showing of the fence post is for illustrative purposes only, and forms no part of the claimed design;

FIG. 3 is a front elevational view thereof;

FIG. 4 is a right side elevational view thereof;

FIG. 5 is a rear elevational view thereof;

FIG. 6 is a left side elevational view thereof;

FIG. 7 is a top, front, right side perspective view of a second embodiment of the design shown in FIG. 1;

FIG. 8 is a top plan view of FIG. 7, the bottom being a mirror image;

FIG. 9 is a front elevational view of FIG. 7;

FIG. 10 is a right side elevational view of FIG. 7;

FIG. 11 is a rear elevational view of FIG. 7; and,

FIG. 12 is a left side elevational view of FIG. 7.

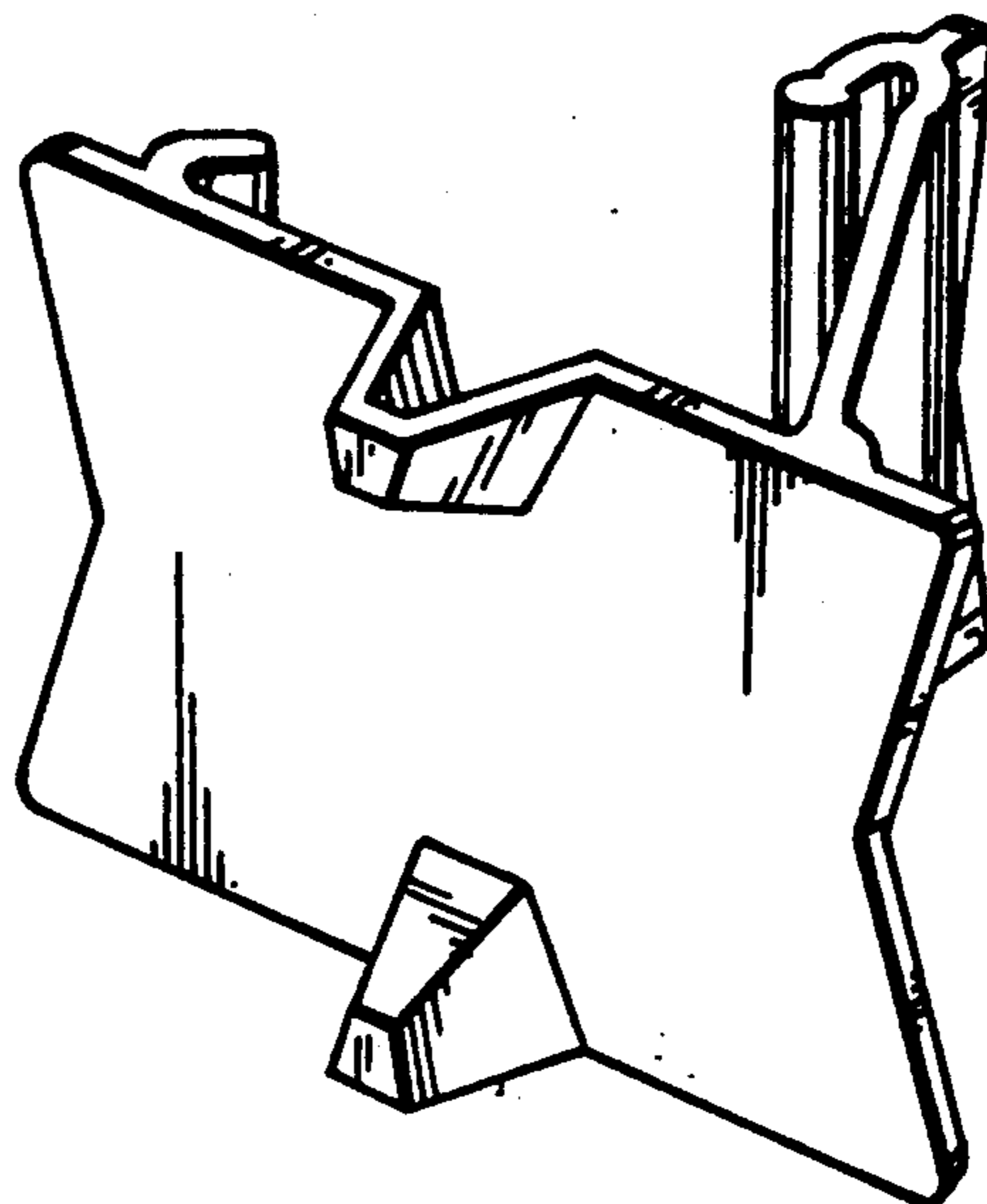
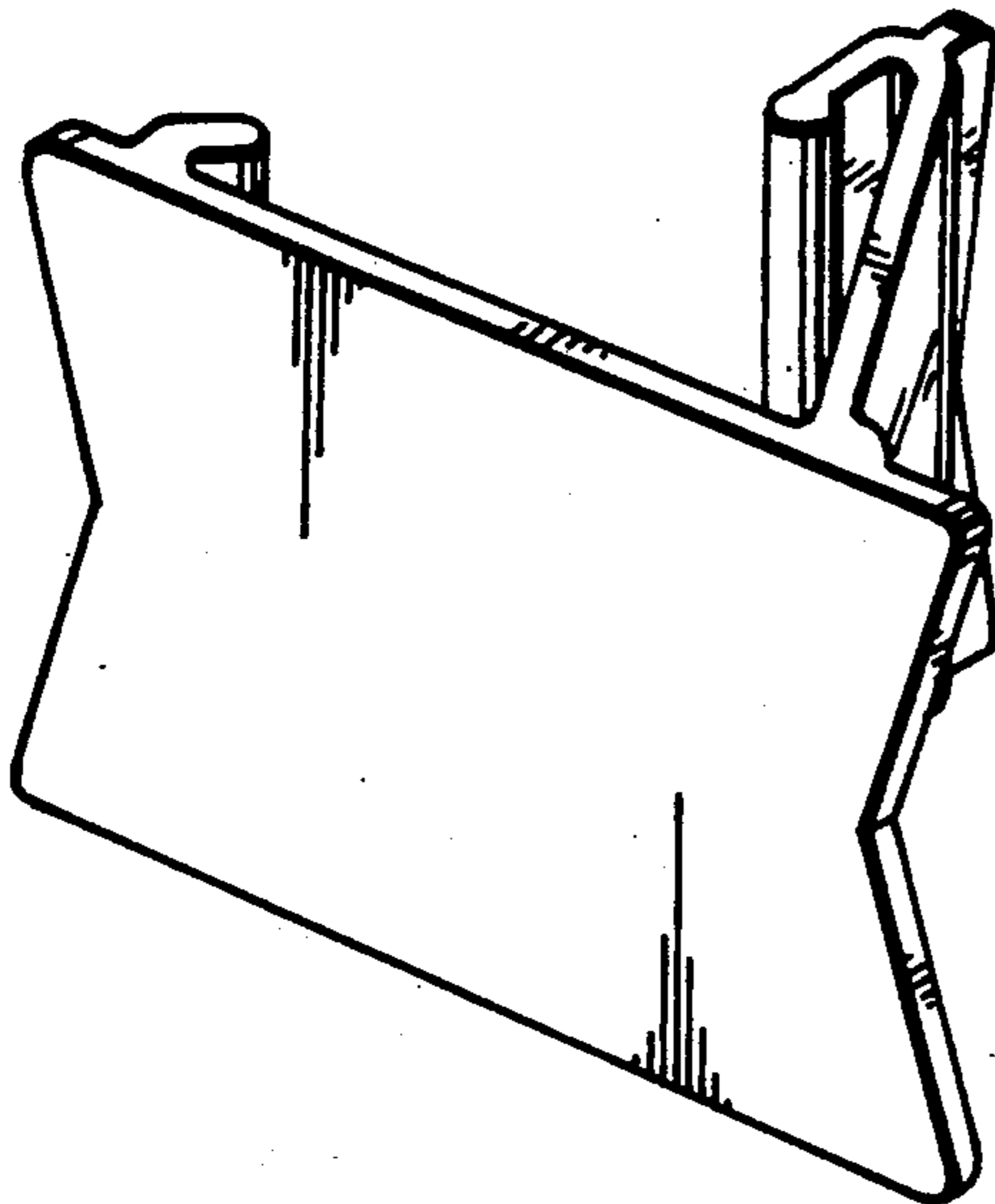


Fig. 1.

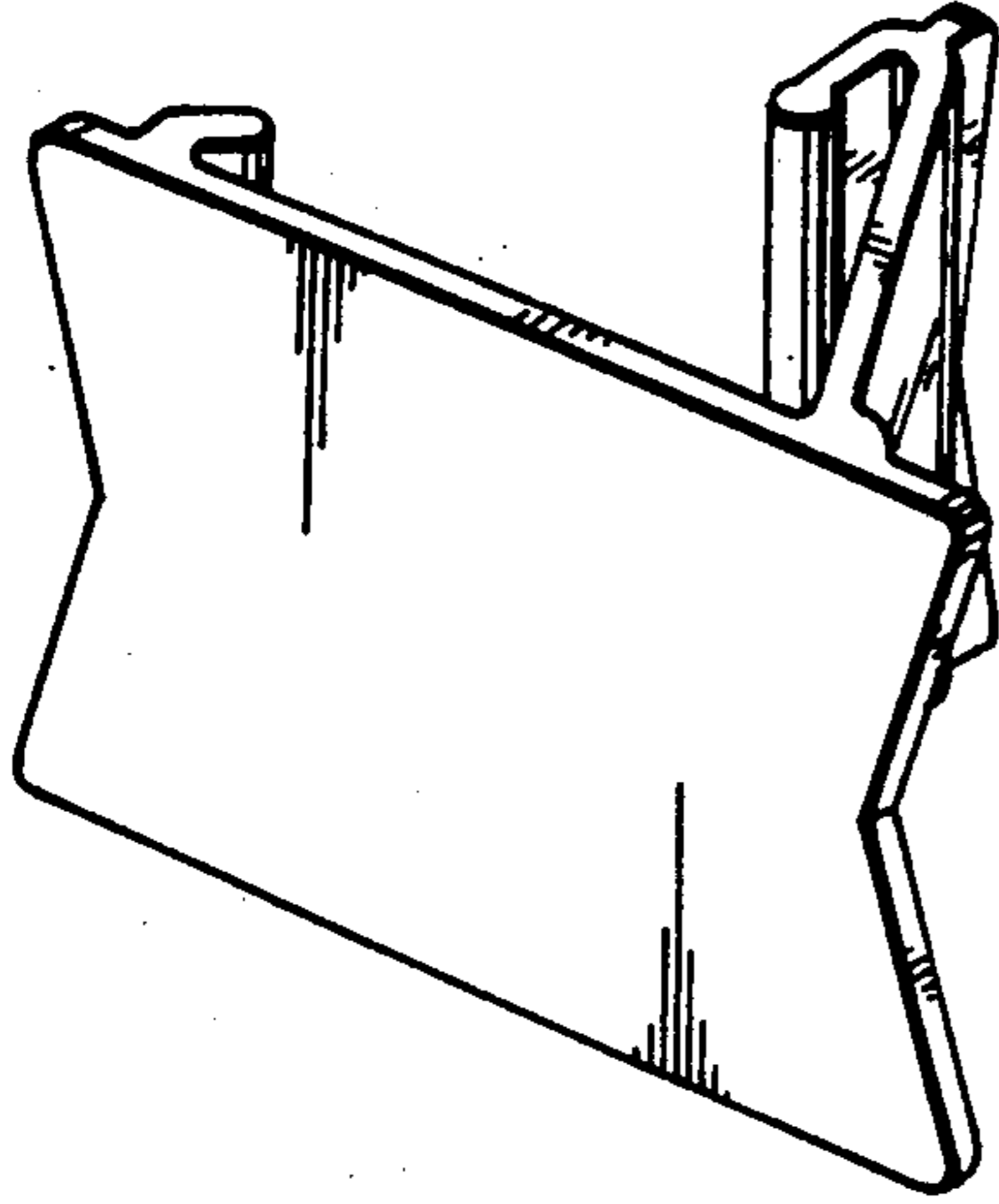


Fig. 2.

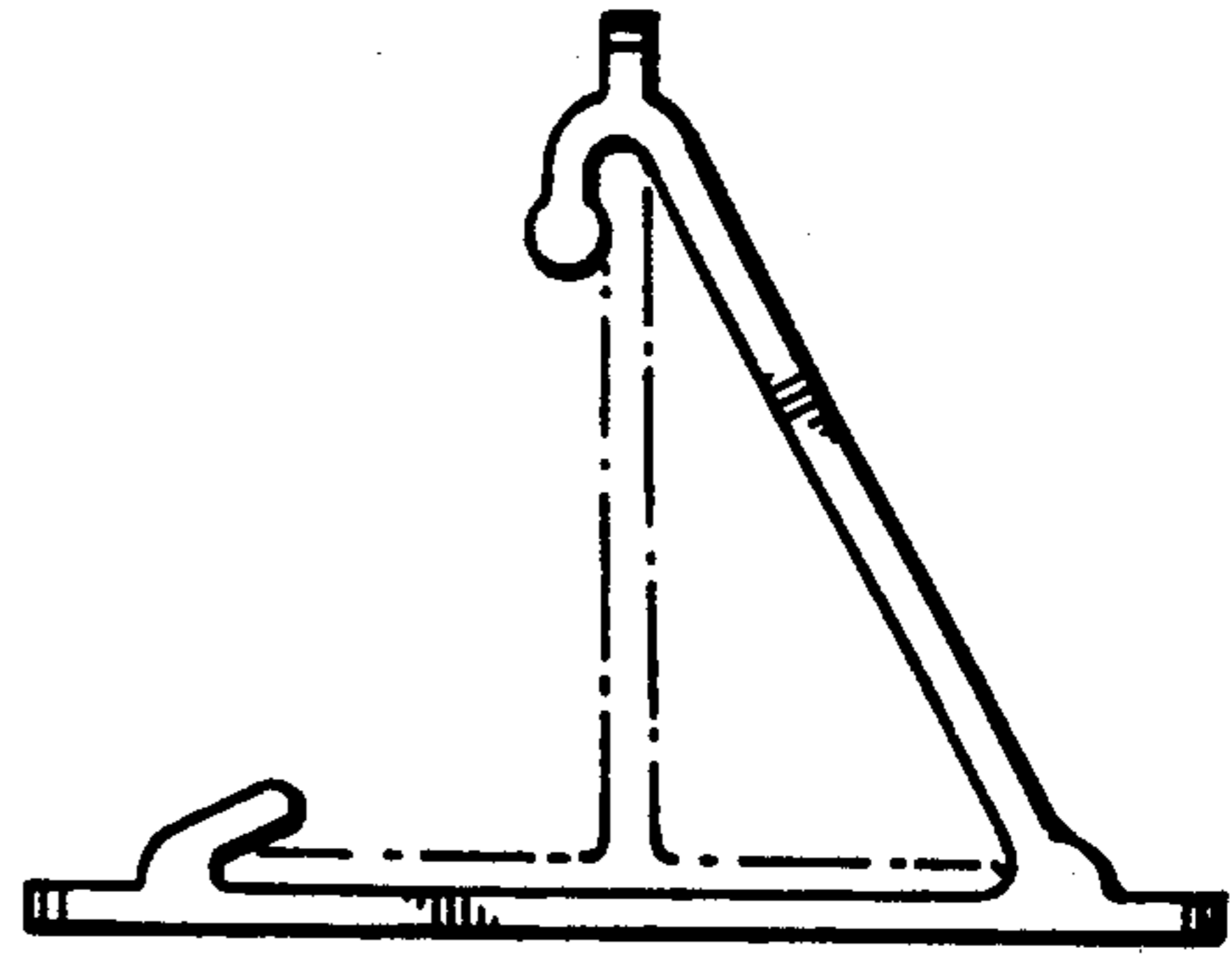


Fig. 4.

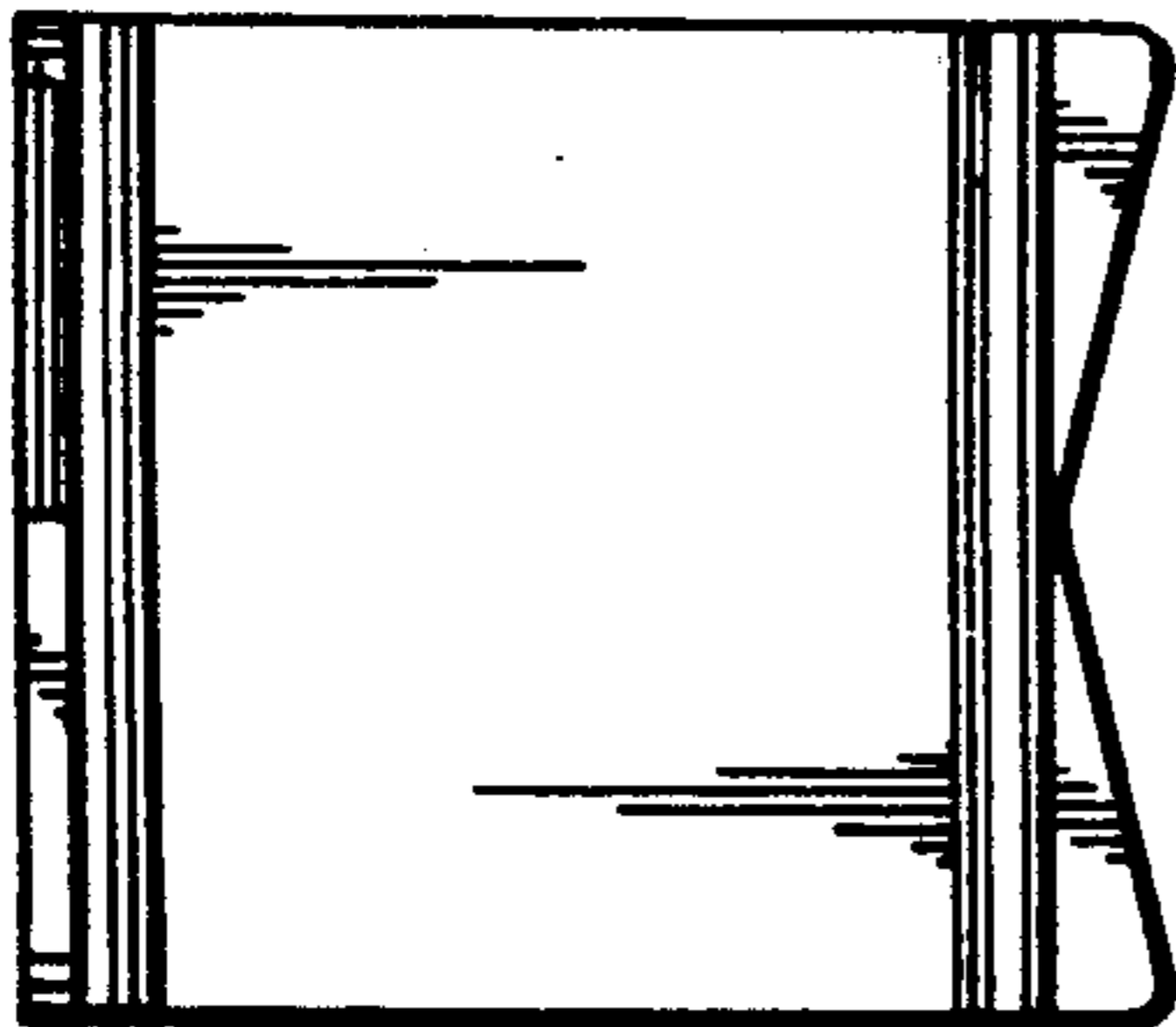


Fig. 3.

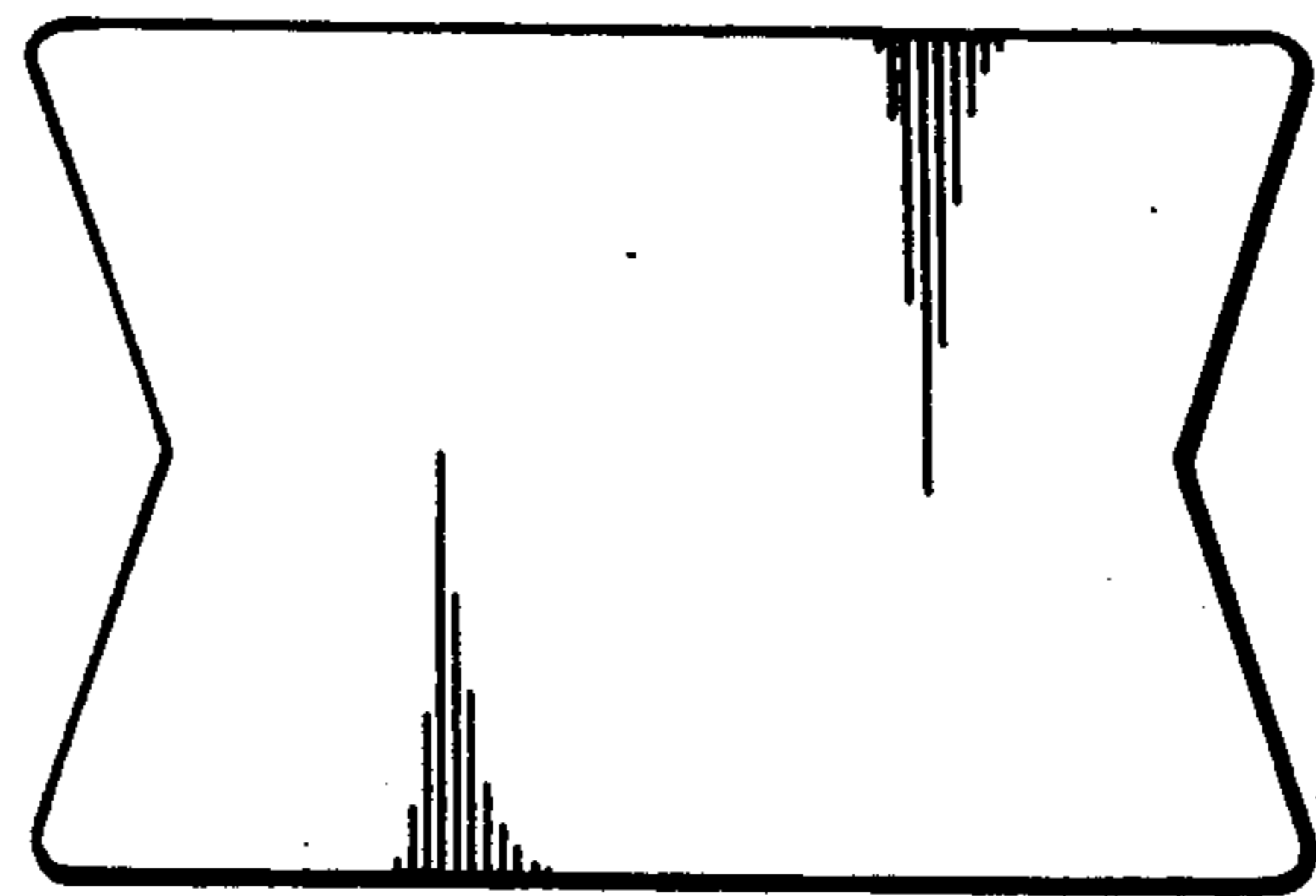


Fig. 5.

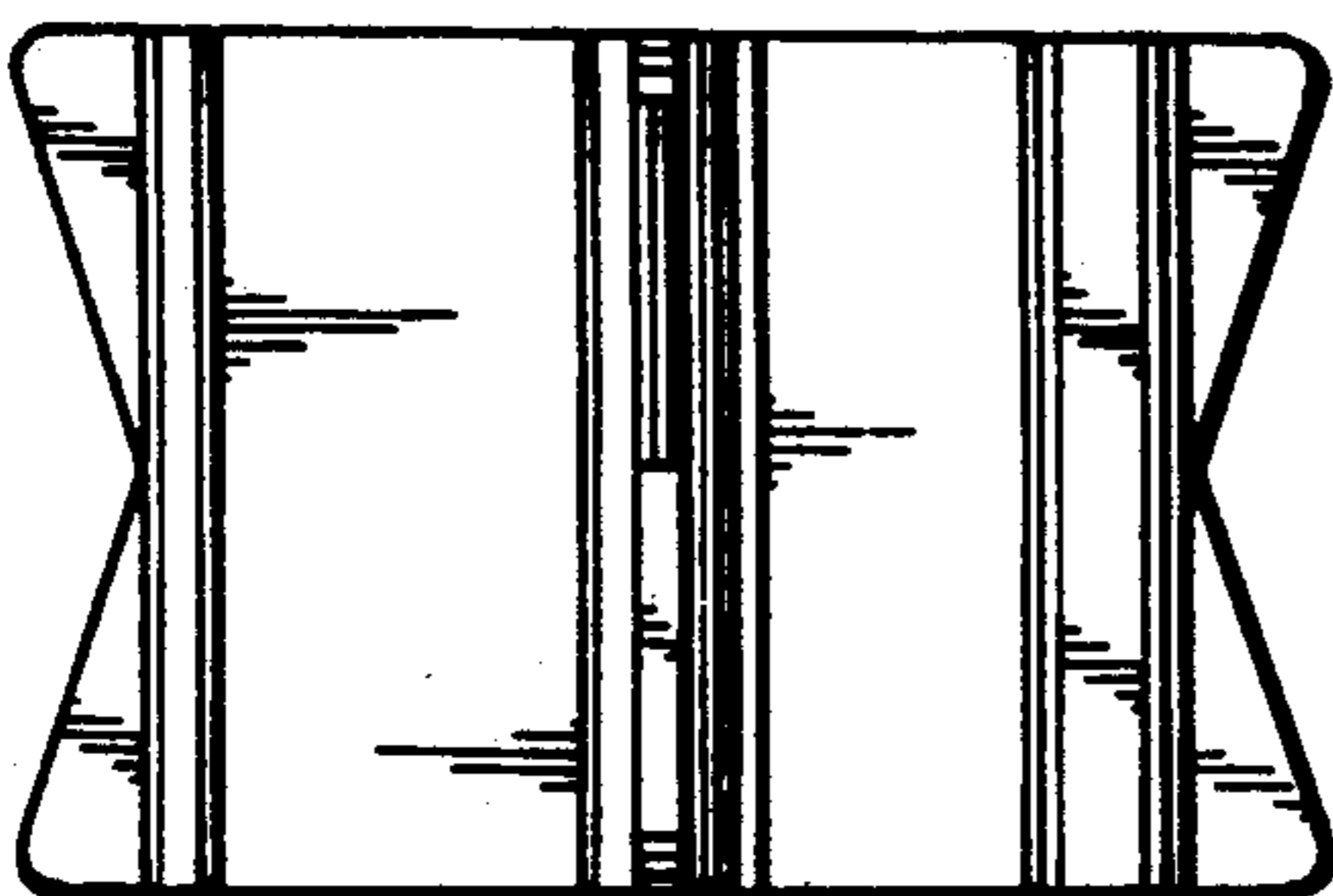


Fig. 6.

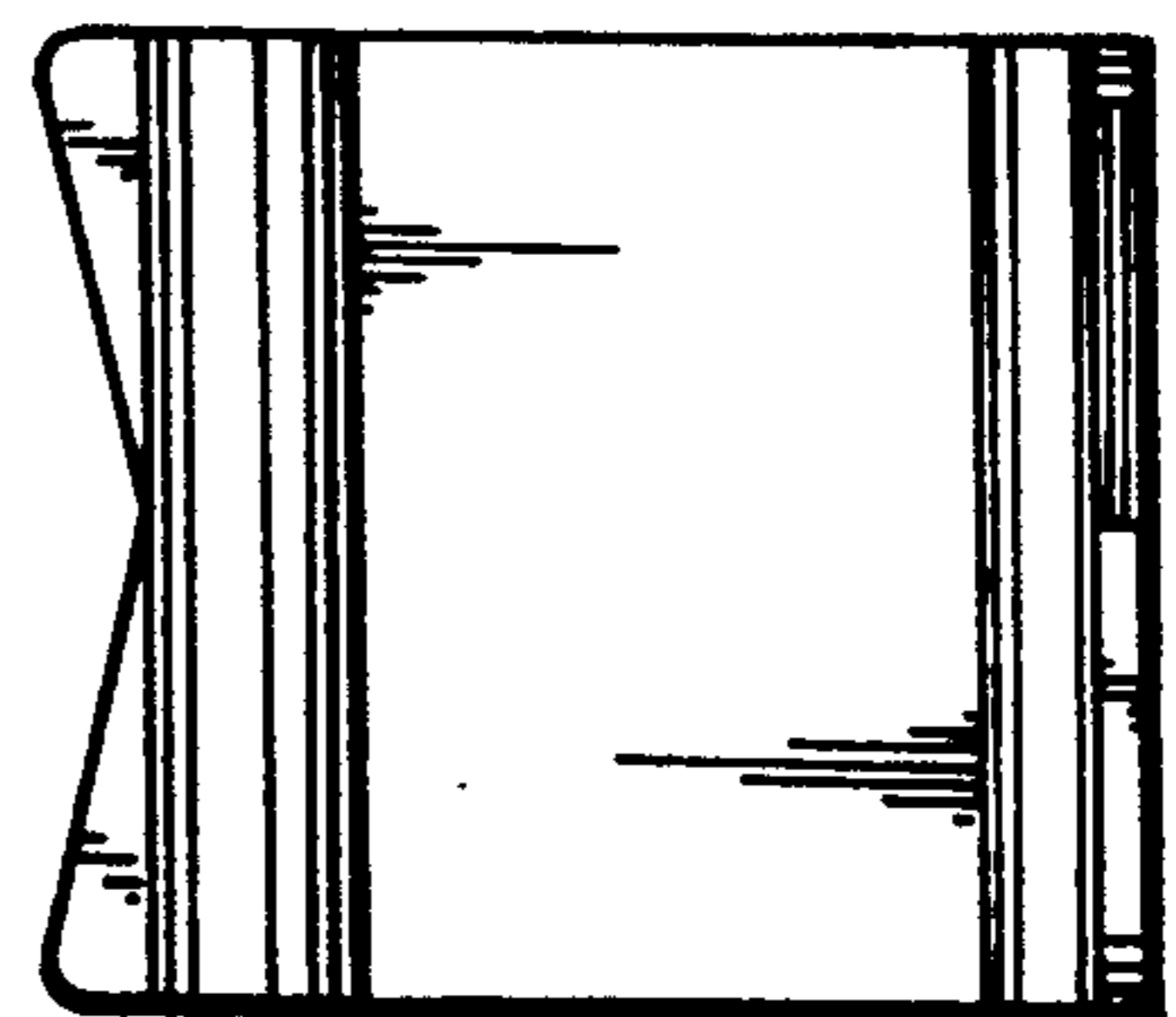


Fig. 7.

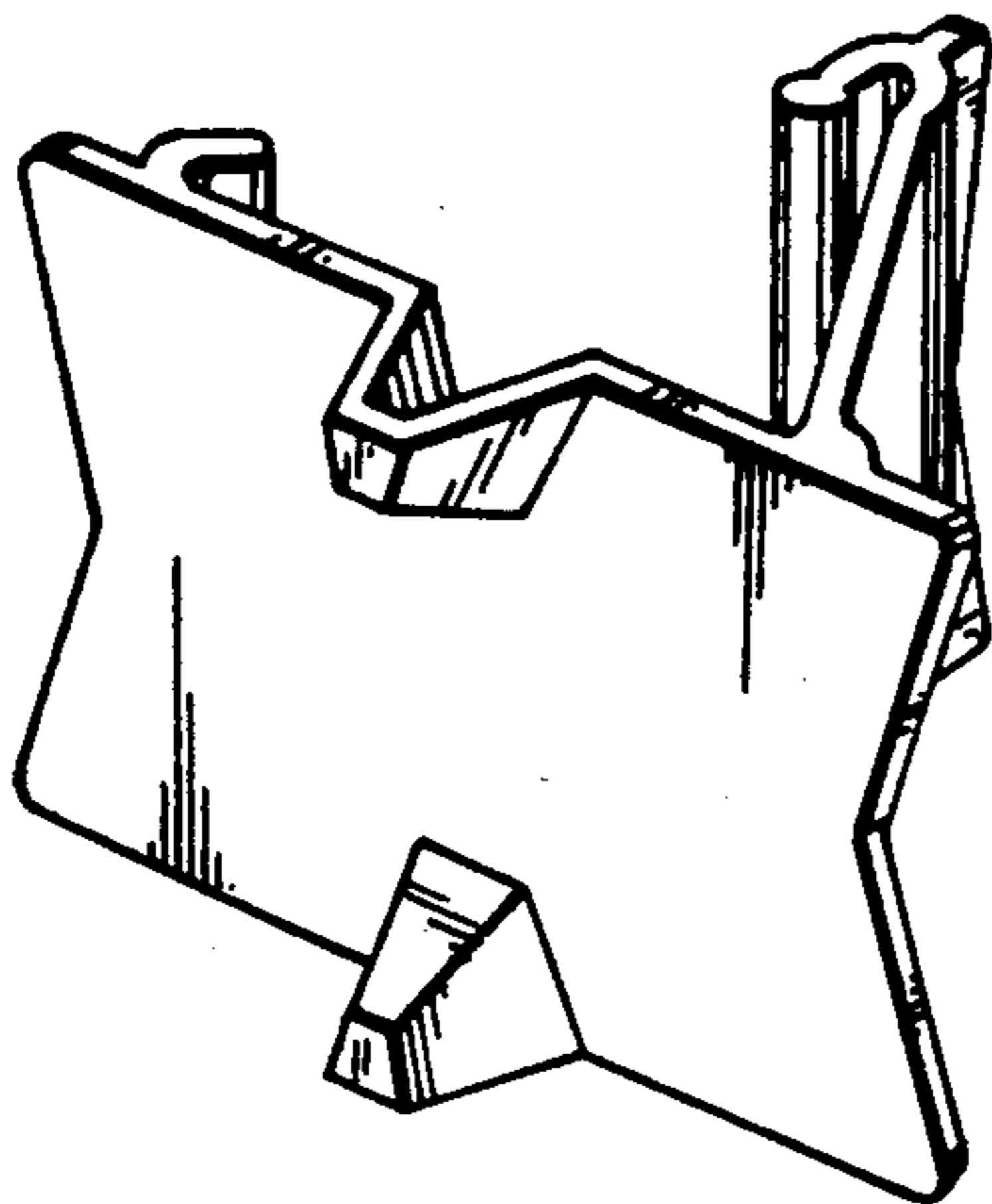


Fig. 8.

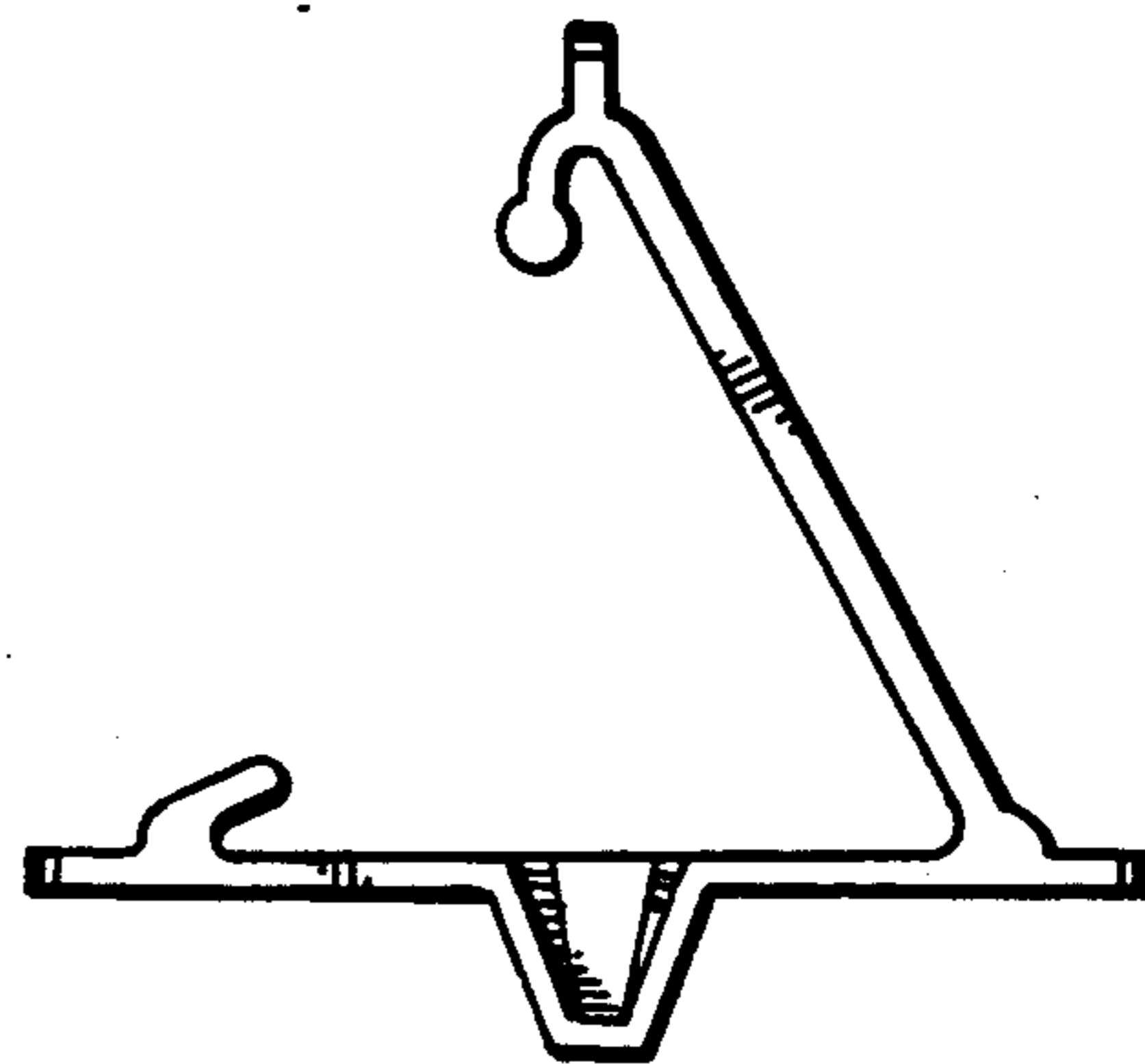


Fig. 10.

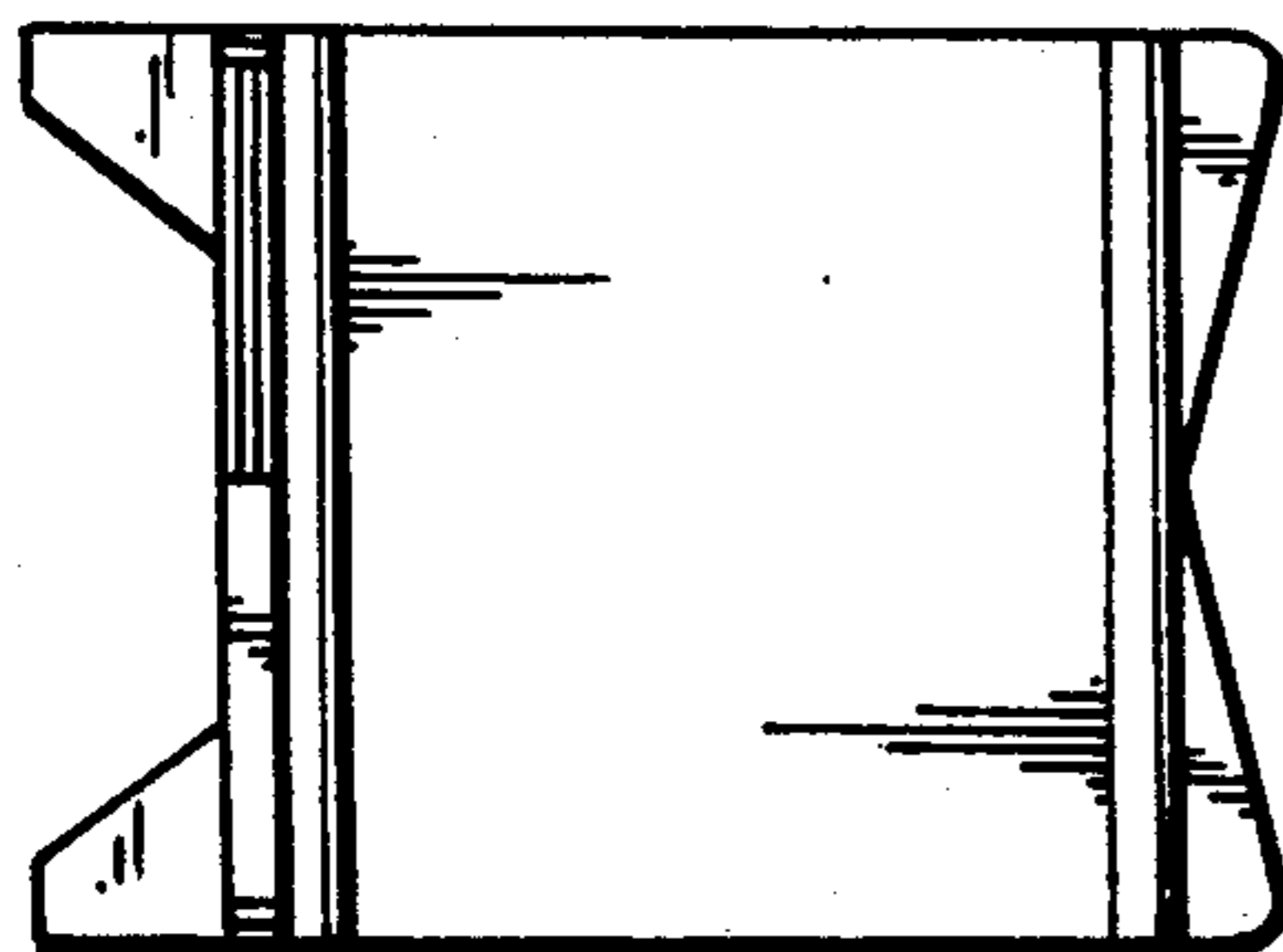


Fig. 9.

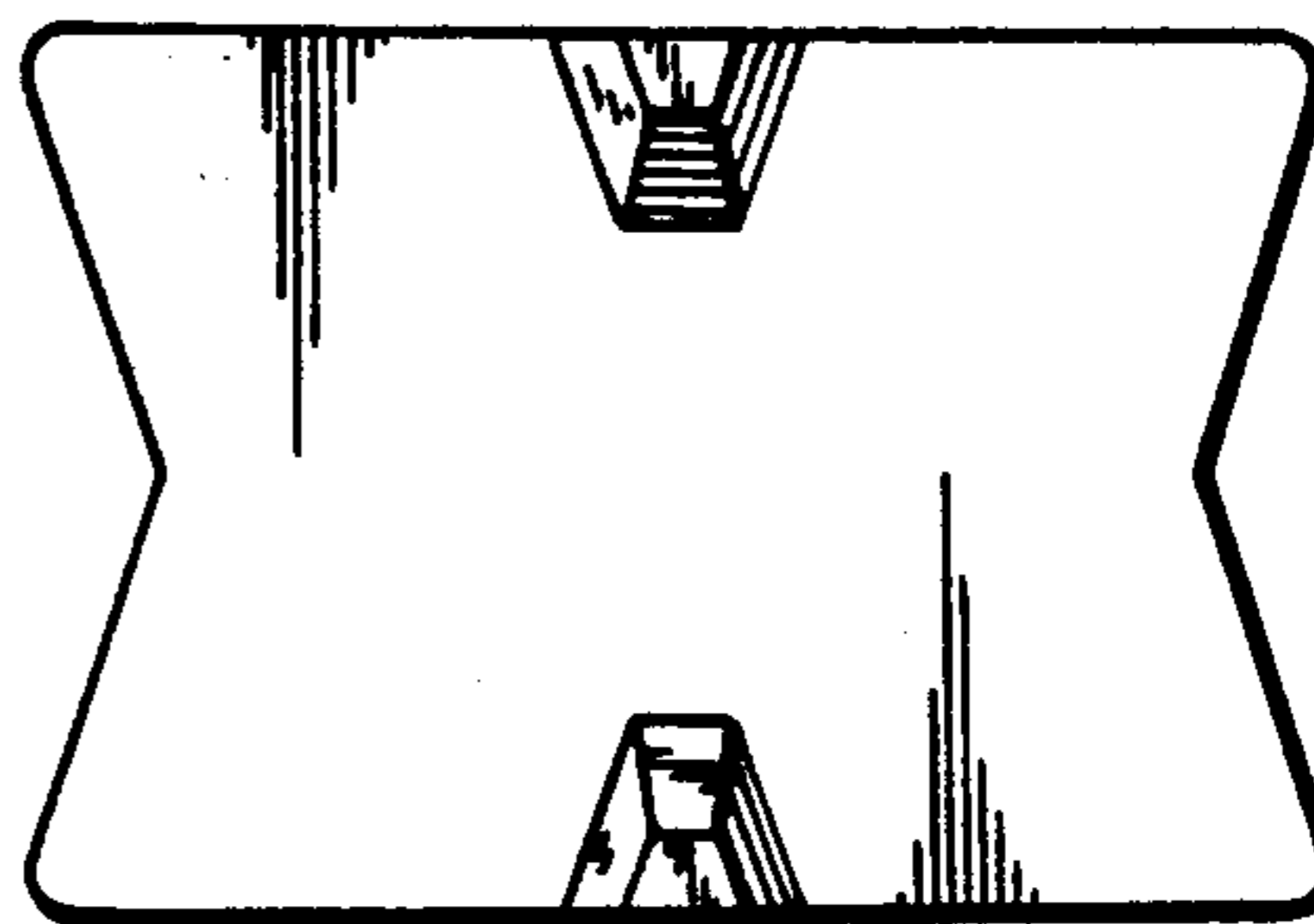


Fig. 11.

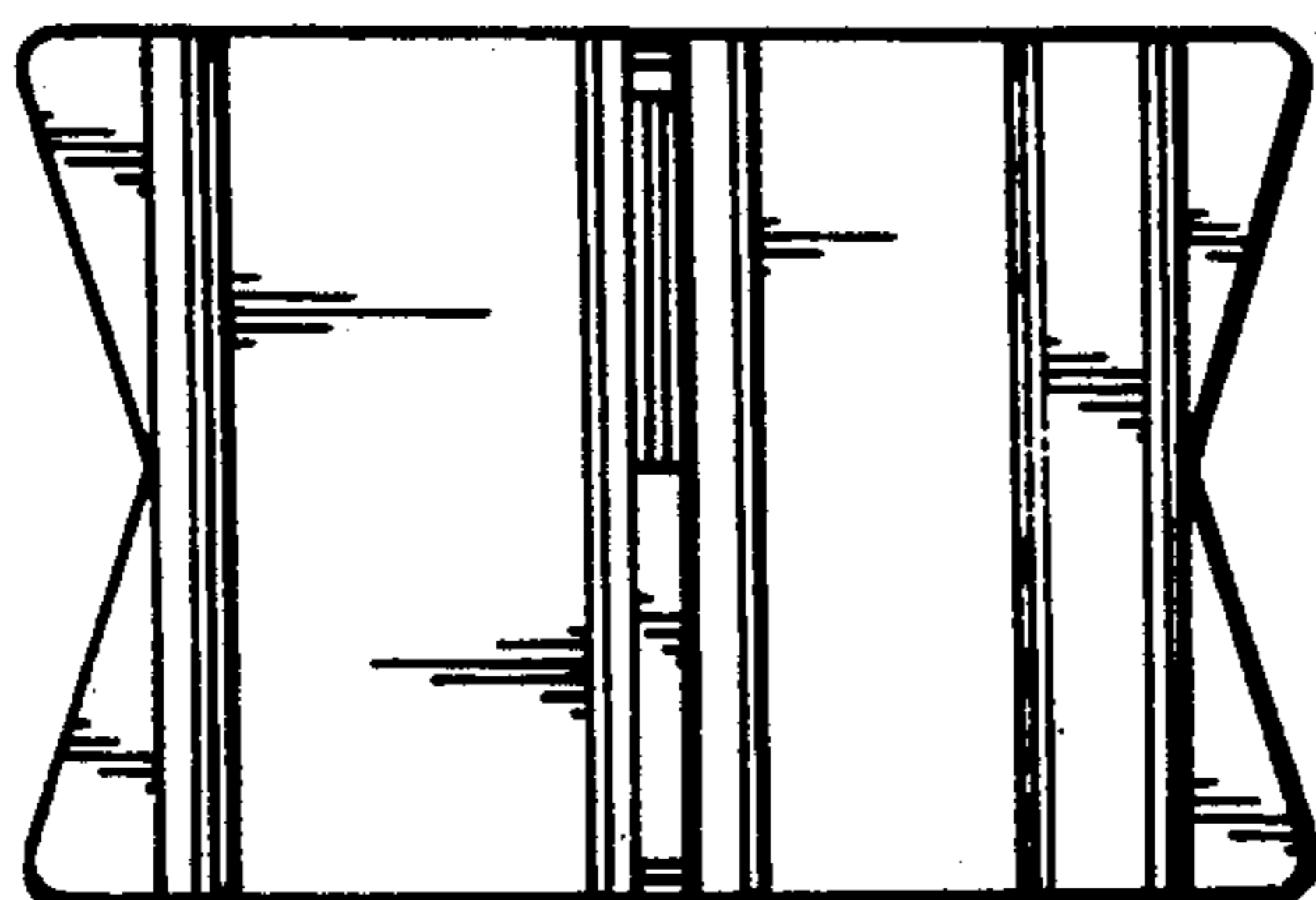


Fig. 12.

