



US00D333420S

United States Patent [19]

[11] Patent Number: **Des. 333,420**

Bales et al.

[45] Date of Patent: **** Feb. 23, 1993**

[54] TRACK FITTING FOR VEHICLE SEATS

[75] Inventors: **Randy J. Bales, Nocona; Klay E. Gilbert; Steven R. Bell, both of Lindsay, all of Tex.**

[73] Assignee: **Weber Aircraft, Inc., Gainesville, Tex.**

[**] Term: **14 Years**

[21] Appl. No.: **809,405**

[22] Filed: **Dec. 18, 1991**

[52] U.S. Cl. **D8/349**

[58] Field of Search **D8/349, 354, 394; D12/133; 244/122 R, 118.6; 410/105; 248/503.1**

4,230,432	10/1980	Howell	248/503.1
4,256,424	3/1981	Knox et al. .	
4,396,175	8/1983	Long et al. .	
4,493,470	1/1985	Engel .	
4,509,888	4/1985	Sheek .	
4,688,843	8/1987	Hall .	
4,708,549	11/1987	Jensen .	
4,718,719	1/1988	Brennan .	
4,771,969	9/1988	Dowd	248/503.1 X
4,911,381	3/1990	Cannon et al. .	
5,058,829	10/1991	Bentley .	

Primary Examiner—Wallace R. Burke
Assistant Examiner—H. Baynham
Attorney, Agent, or Firm—Crutsinger & Booth

[57] CLAIM

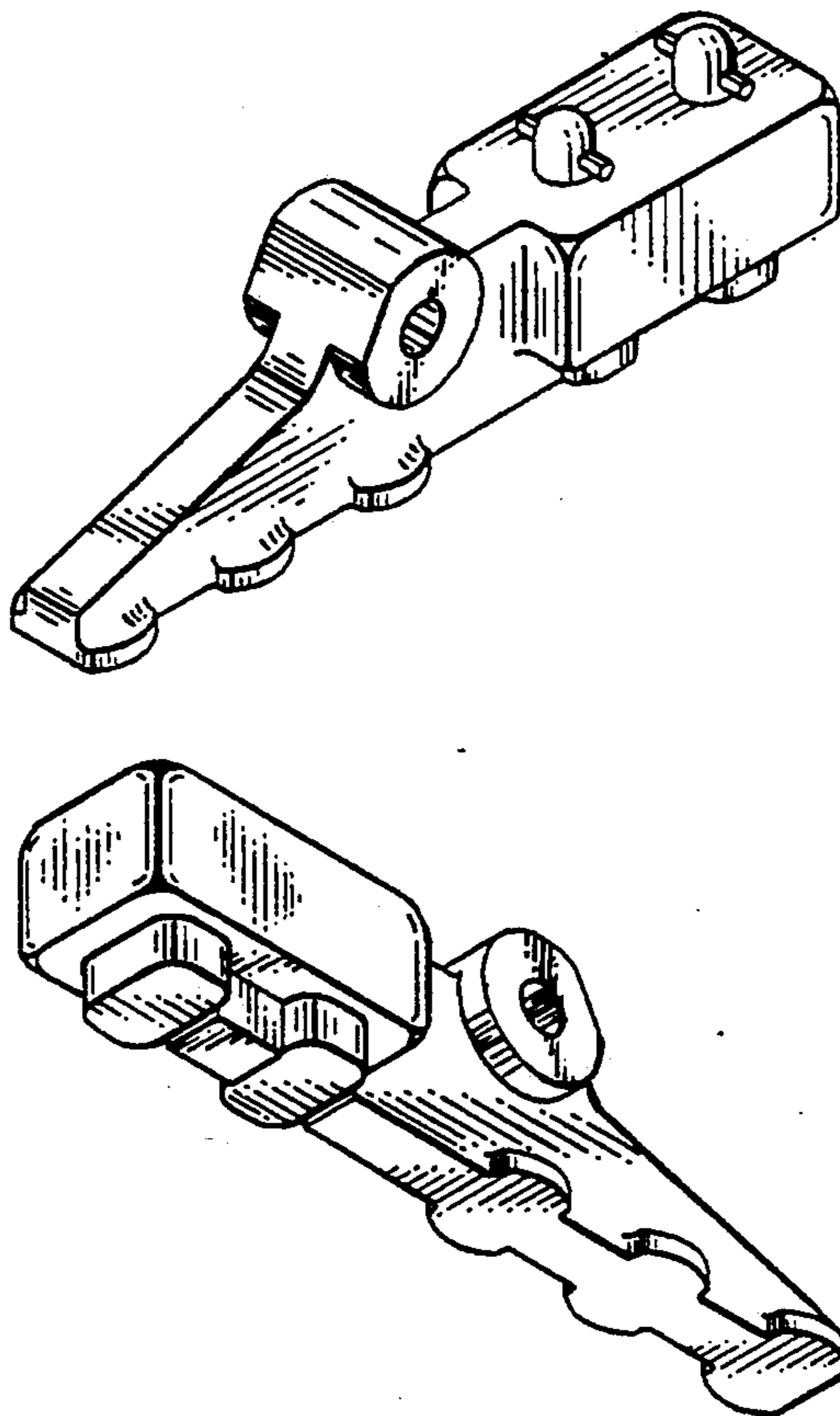
The ornamental design for a track fitting for vehicle seats, as shown and described.

DESCRIPTION

FIG. 1 is a right, front, top perspective view of a track fitting for vehicle seats showing our new design; FIG. 2 is a left, rear, bottom perspective view thereof; FIG. 3 is a right side elevational view thereof with the opposite side being a mirror image thereof; FIG. 4 is a top plan view thereof; FIG. 5 is a bottom plan view thereof; FIG. 6 is a rear elevational view thereof; and, FIG. 7 is a front elevational view thereof.

[56] References Cited U.S. PATENT DOCUMENTS

3,189,313	6/1965	Burns et al. .
3,620,171	11/1971	Brenia et al. .
3,652,050	3/1972	Marrujo et al. .
3,677,195	7/1972	Prete, Jr. .
3,810,534	5/1974	Prete, Jr. .
4,026,218	5/1977	Prete, Jr. et al. .
4,062,298	12/1977	Weik .
4,109,891	8/1978	Grendahl .
4,114,947	9/1978	Nelson .



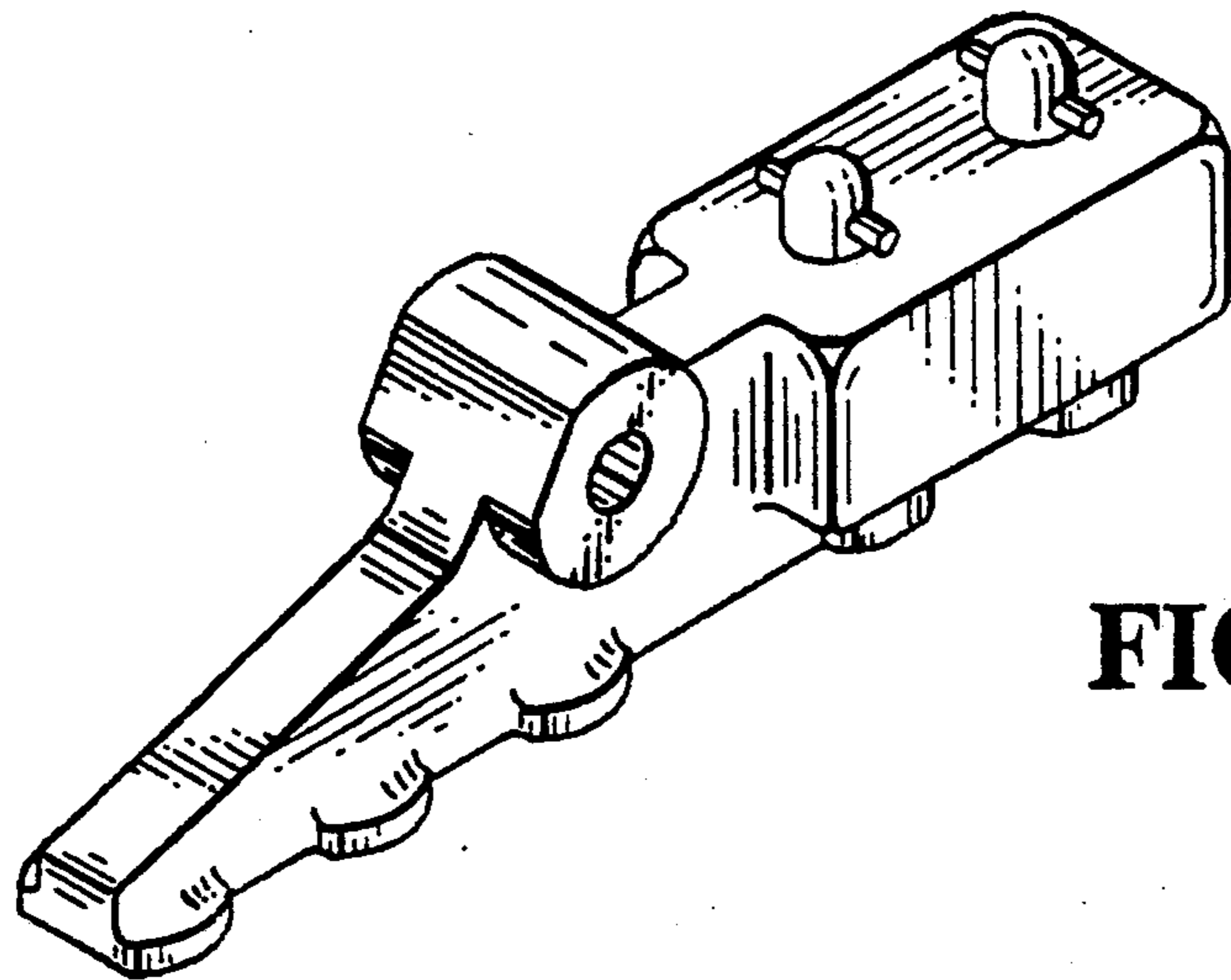


FIG. 1

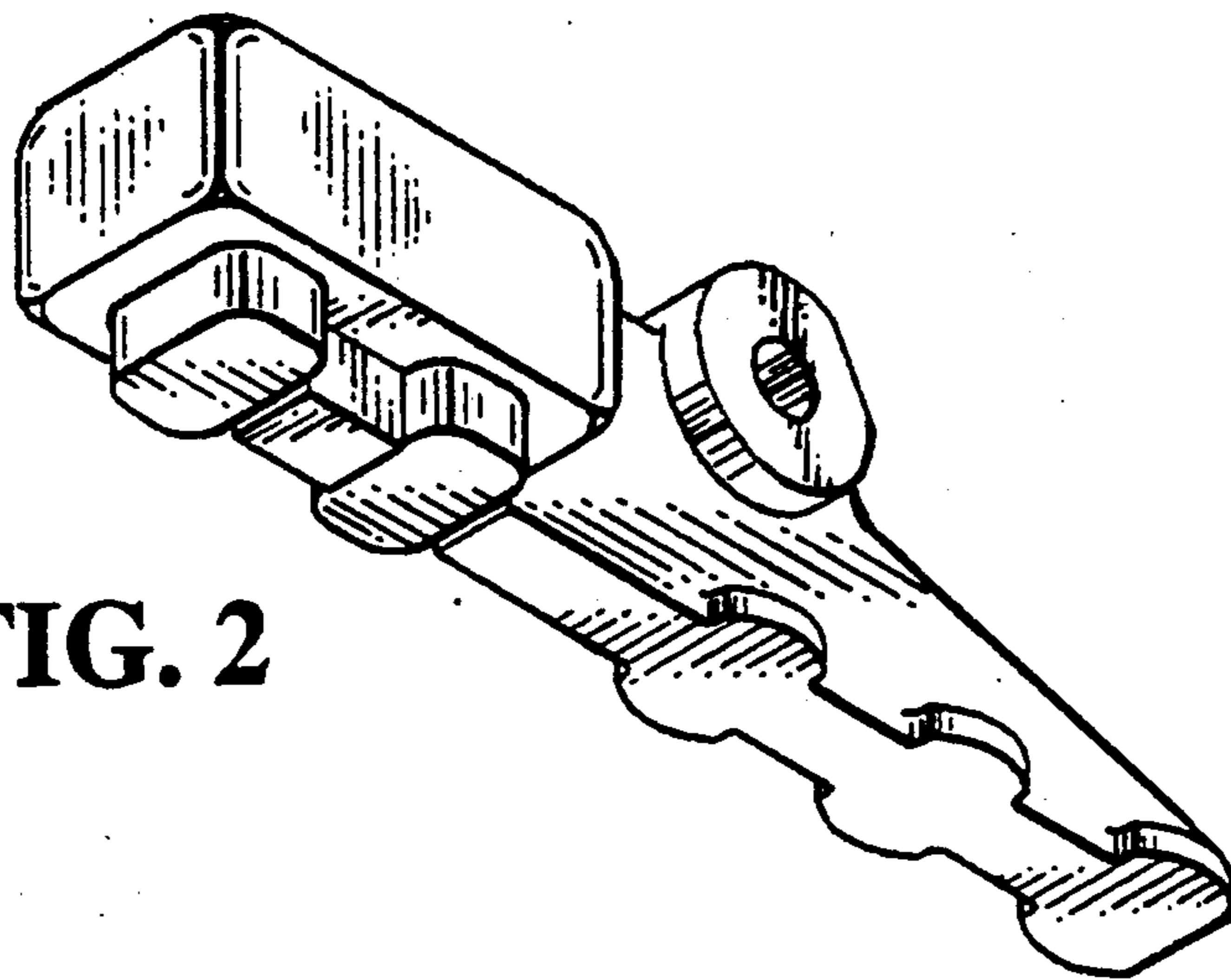


FIG. 2

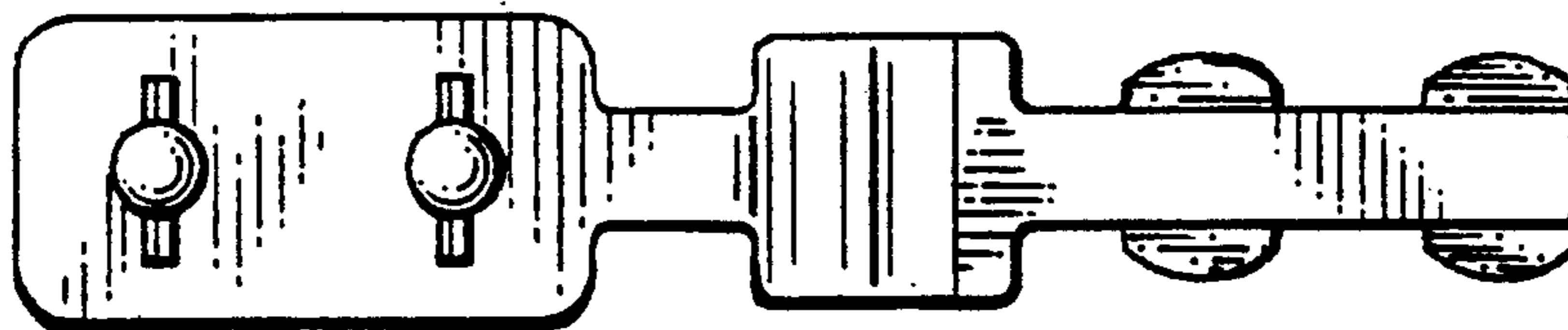


FIG. 4

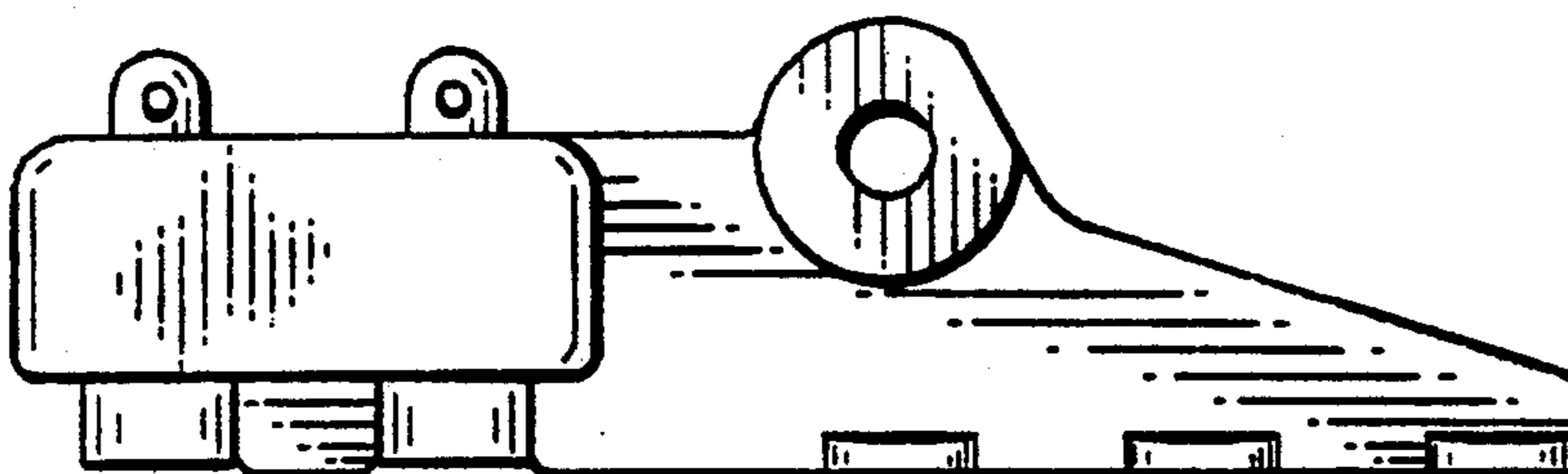


FIG. 3

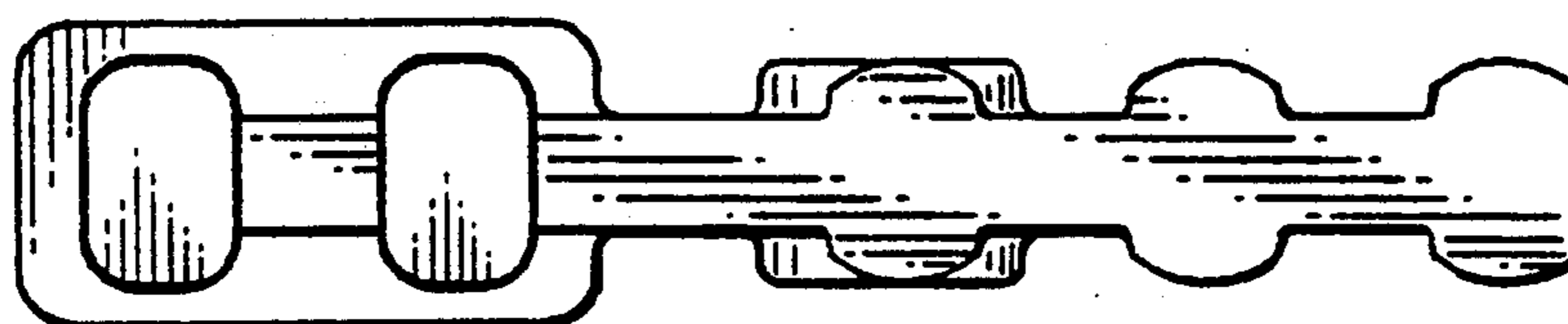


FIG. 5

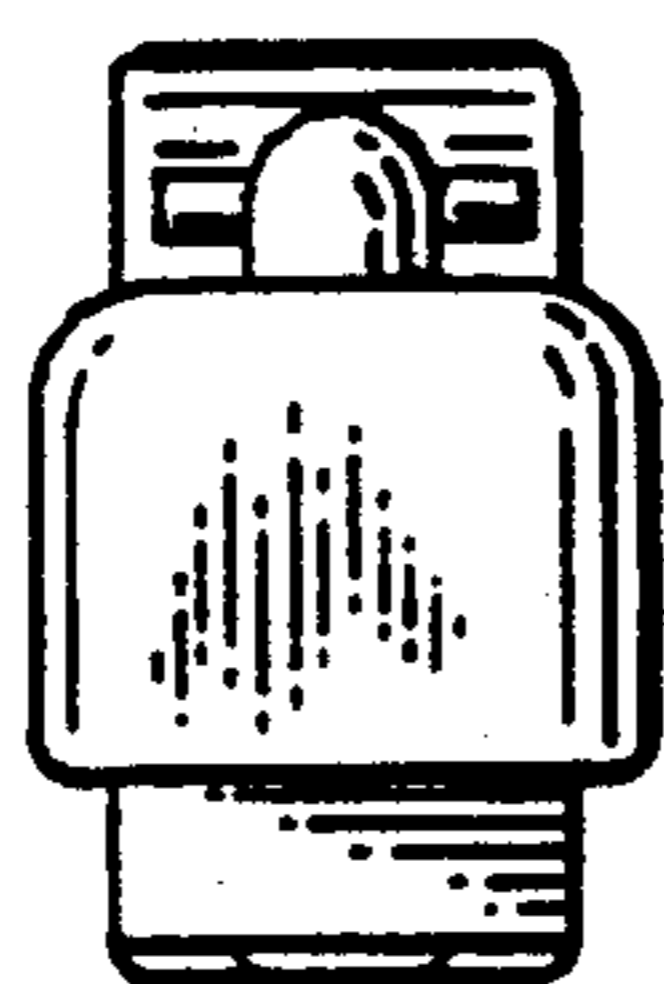


FIG. 6

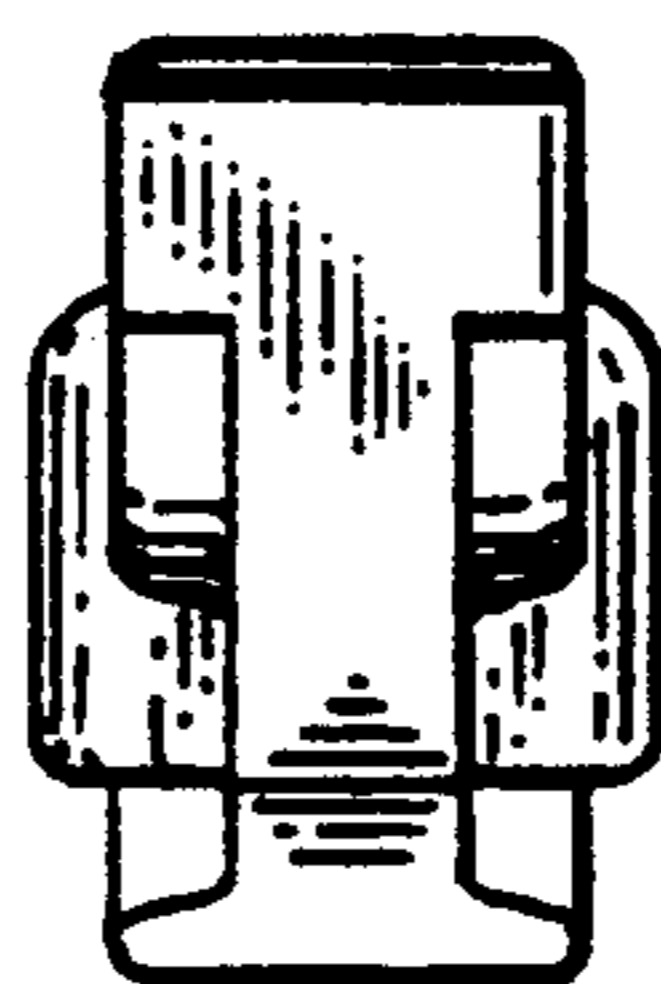


FIG. 7