



US00D333414S

United States Patent [19]

[11] Patent Number: **Des. 333,414**

Aylward

[45] Date of Patent: **** Feb. 23, 1993**

[54] CABLE LUBRICATING TOOL

FOREIGN PATENT DOCUMENTS

[76] Inventor: **James M. Aylward**, 1432 Presque Isle, Marquette, Mich. 49855

528648 2/1955 Italy .
221078 3/1942 Switzerland .

[**] Term: **14 Years**

Primary Examiner—Alan P. Douglas
Assistant Examiner—J. H. Musgrove
Attorney, Agent, or Firm—Terry M. Gernstein

[21] Appl. No.: **641,573**

[57] CLAIM

[22] Filed: **Jan. 16, 1991**

The ornamental design for a cable lubricating tool, as shown and described.

[52] U.S. Cl. **D8/14.1**

[58] Field of Search **D8/14.1, 29.1, 30;**
184/15.1, 105.3

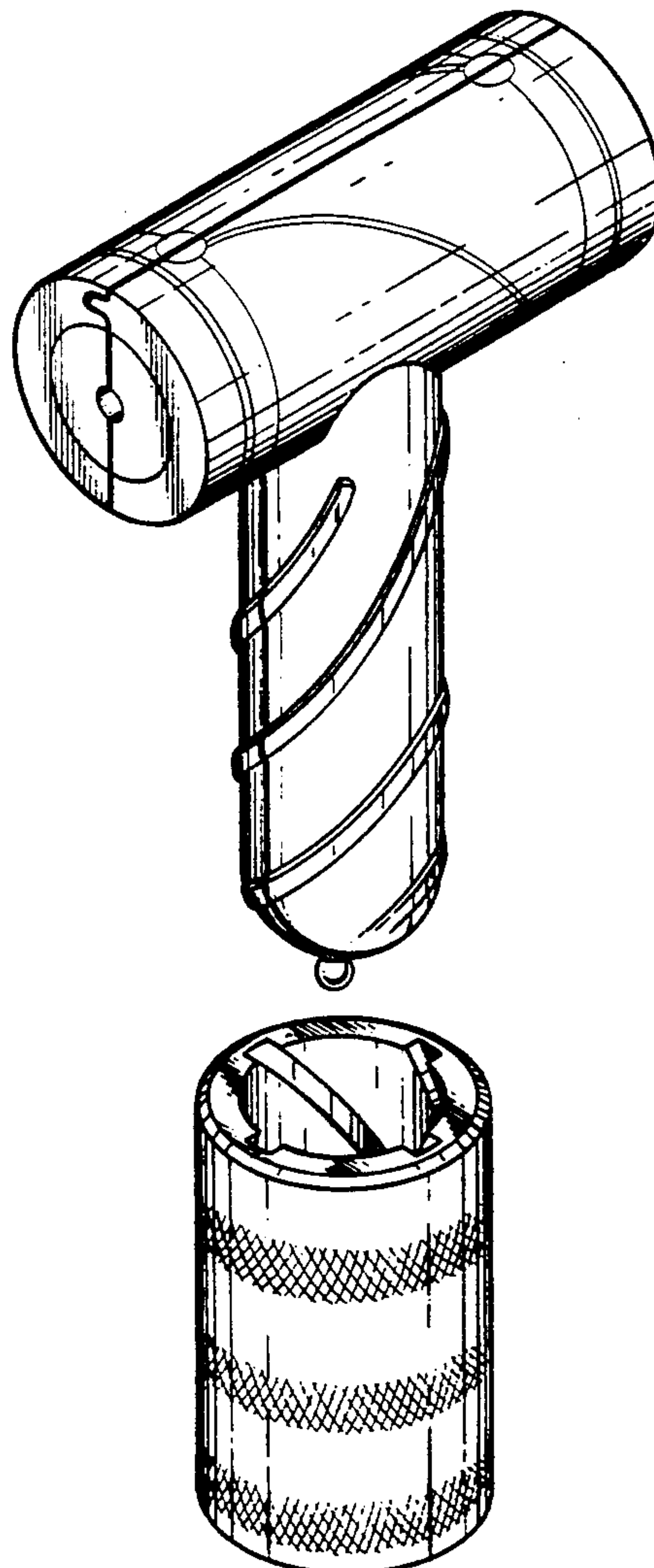
DESCRIPTION

[56] References Cited

U.S. PATENT DOCUMENTS

4,498,558	2/1985	Bendahan	184/15.1
4,569,420	2/1986	Pickett et al.	184/15.1
4,569,420	10/1985	Dewyer	184/15.1
5,107,961	4/1992	Schott et al.	184/15.1

FIG. 1 is a perspective view of the cable lubricating tool embodying the design of the present invention; FIG. 2 is a front end elevational view thereof; FIG. 3 is a rear end elevational view thereof; FIG. 4 is a side elevational view thereof; FIG. 5 is a side elevational view thereof; FIG. 6 is a top plan view thereof; and, FIG. 7 is a bottom view thereof.



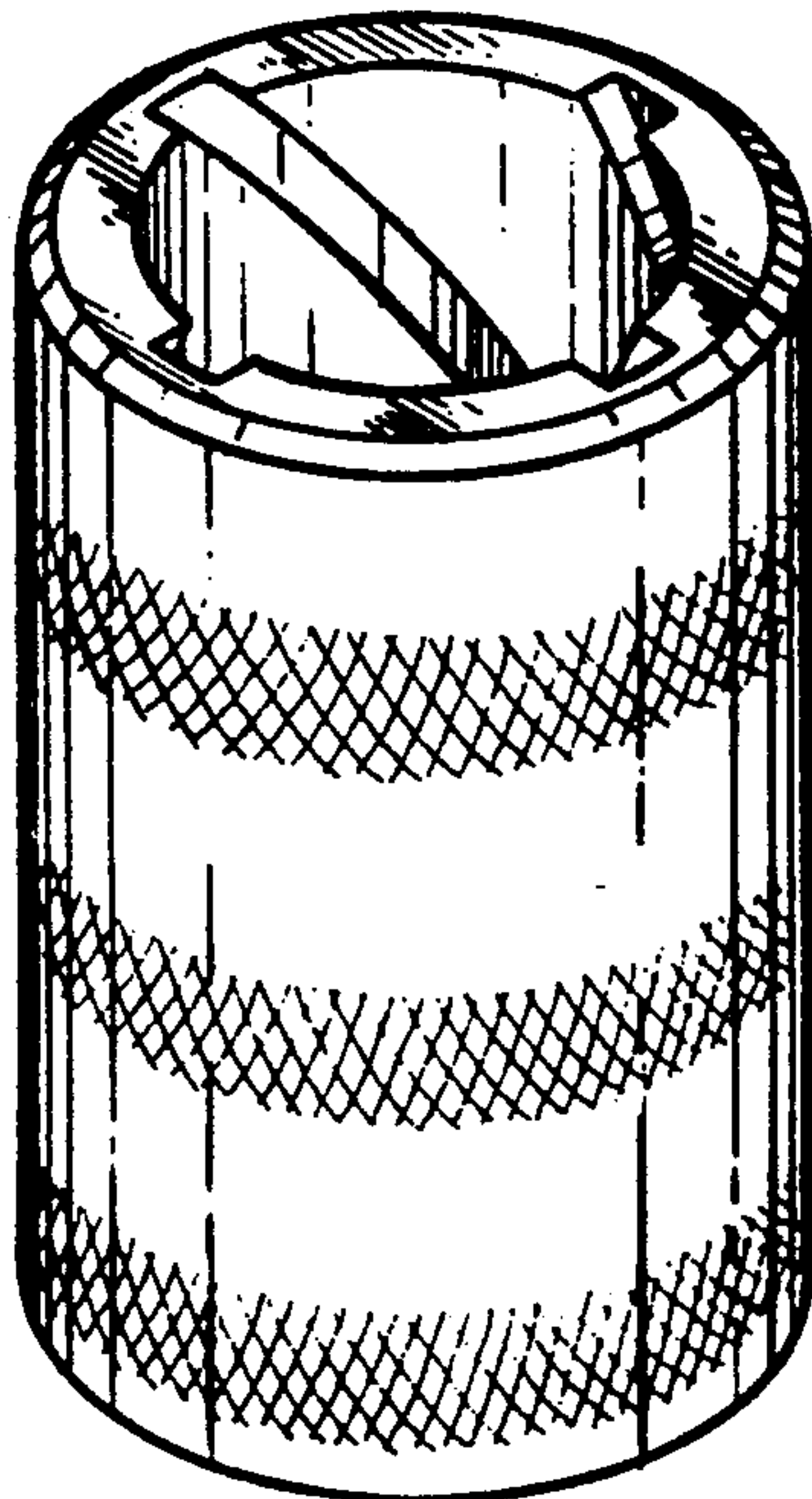
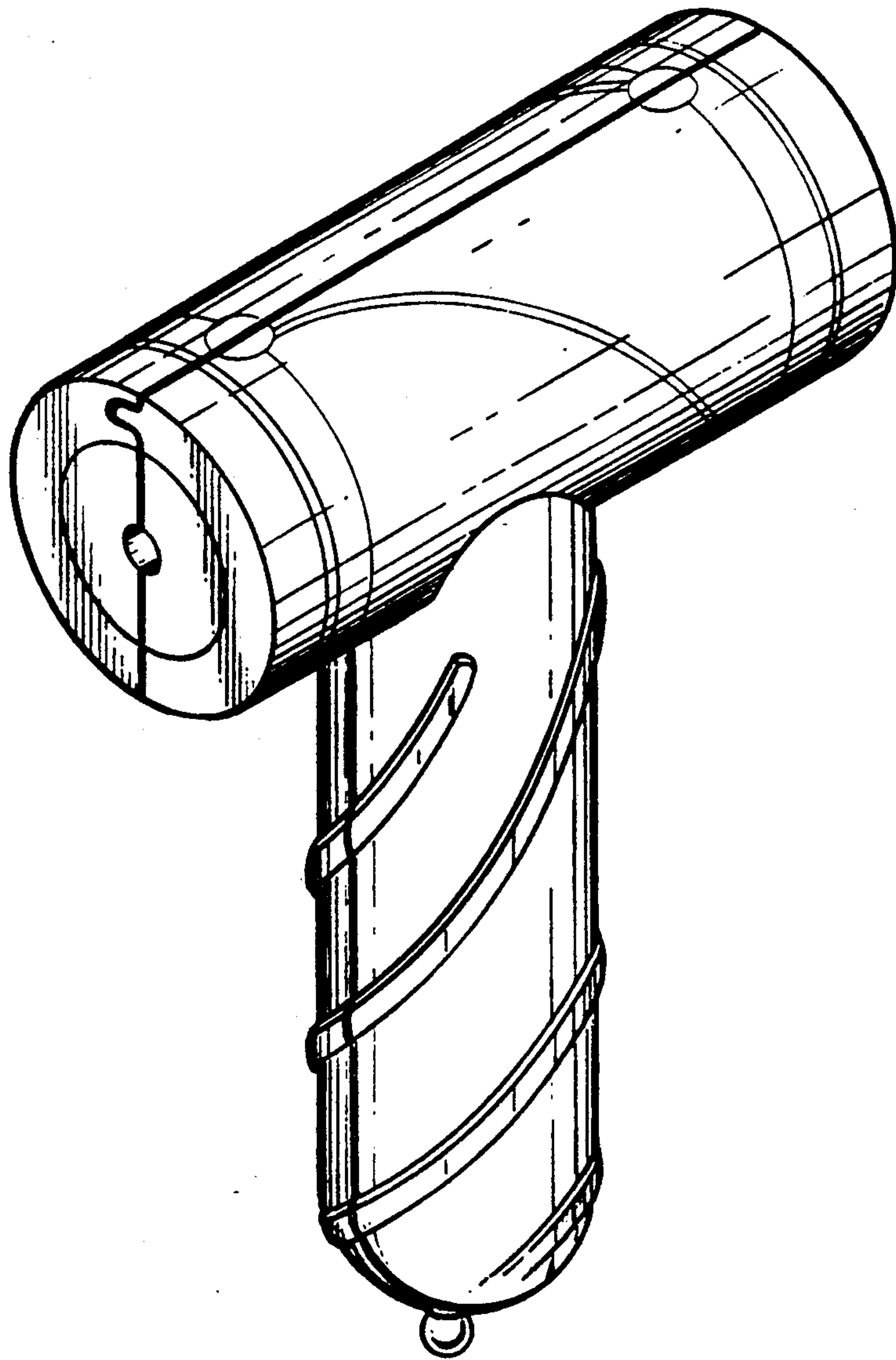


FIG.1

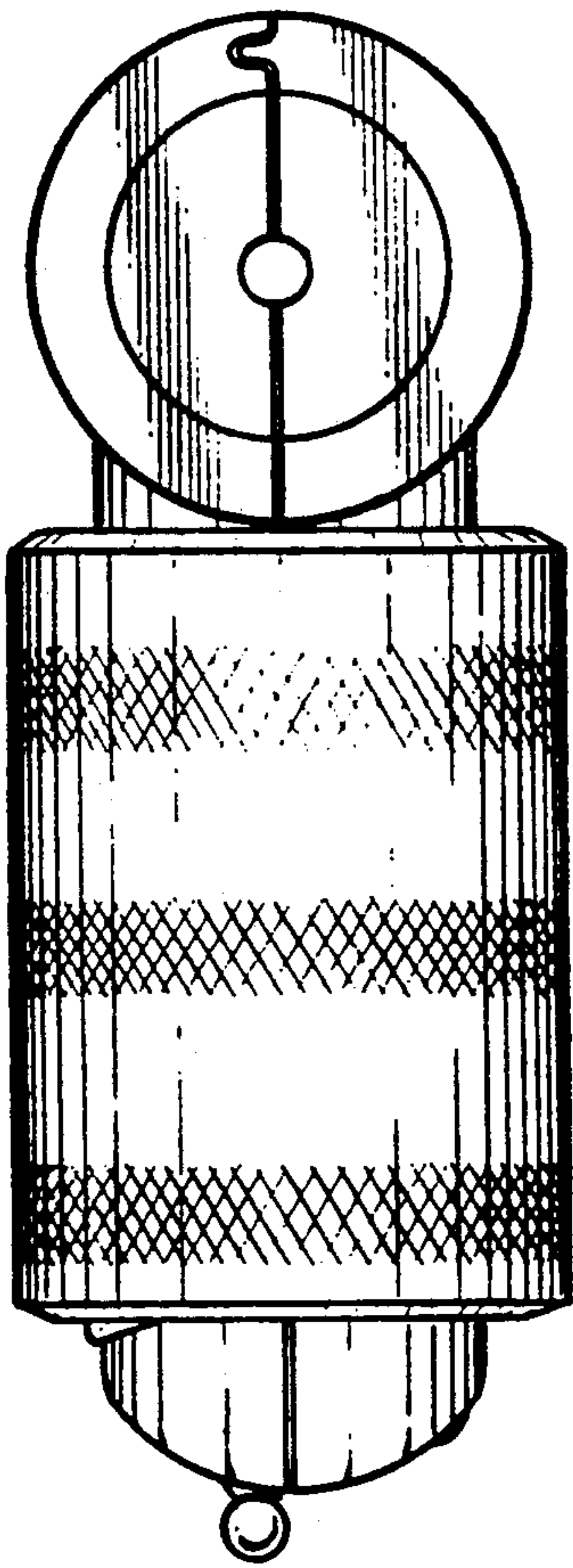


FIG. 2

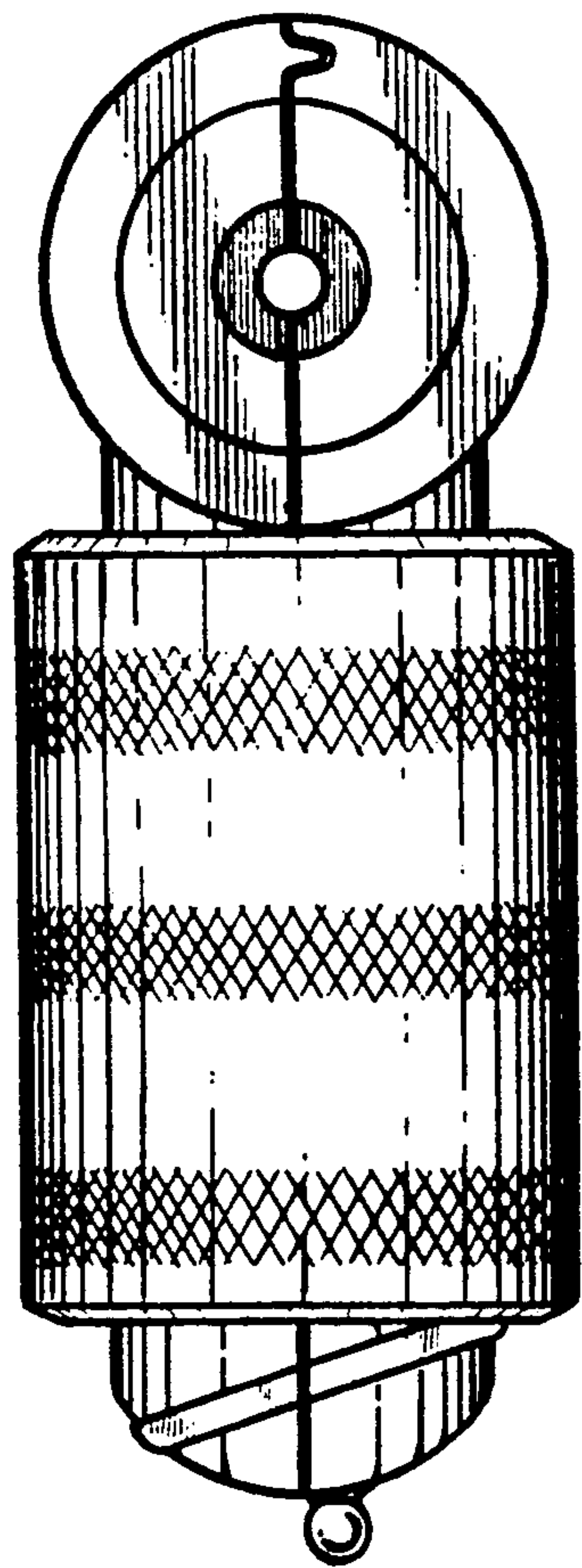


FIG. 3

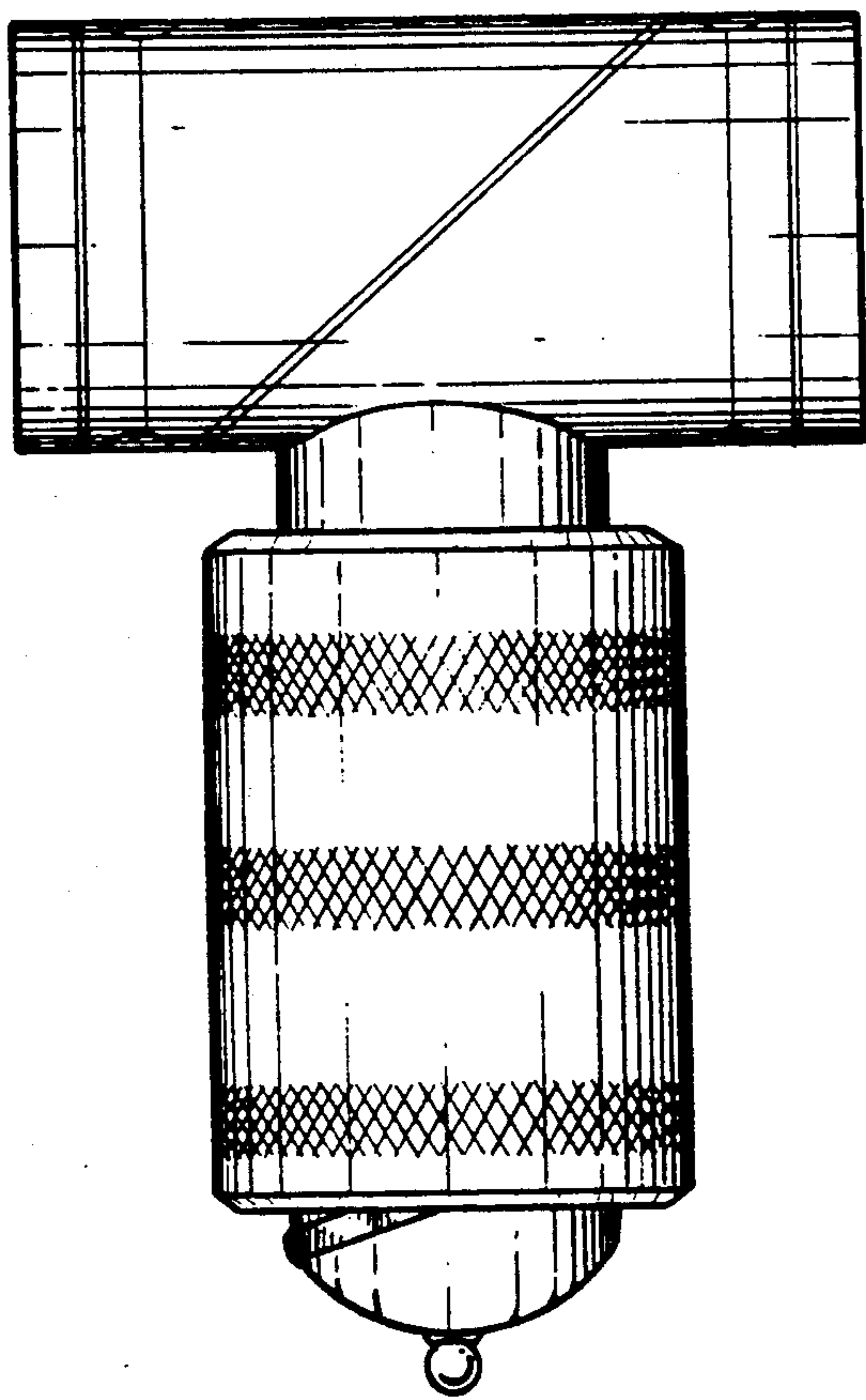


FIG. 4

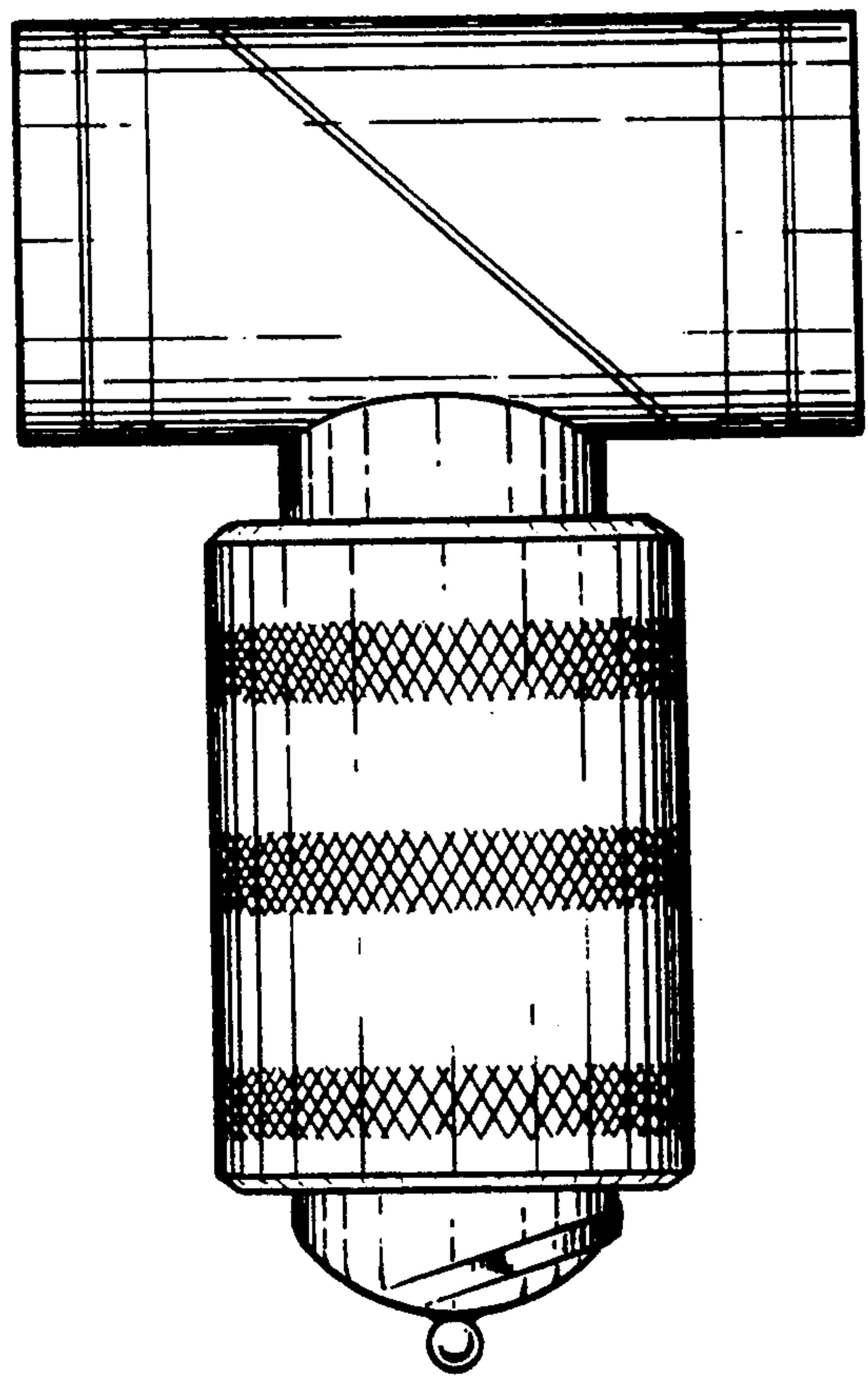


FIG. 5

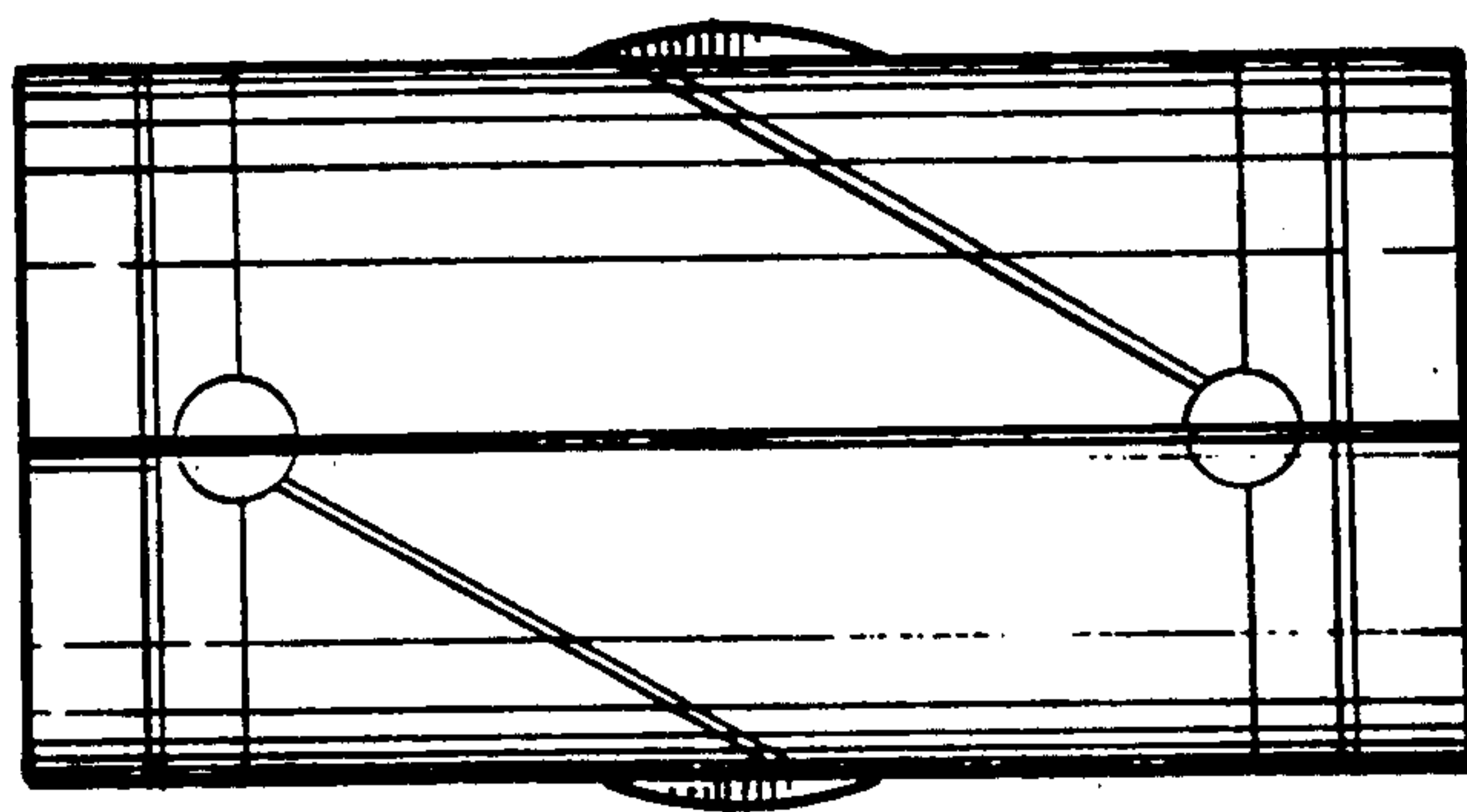


FIG. 6

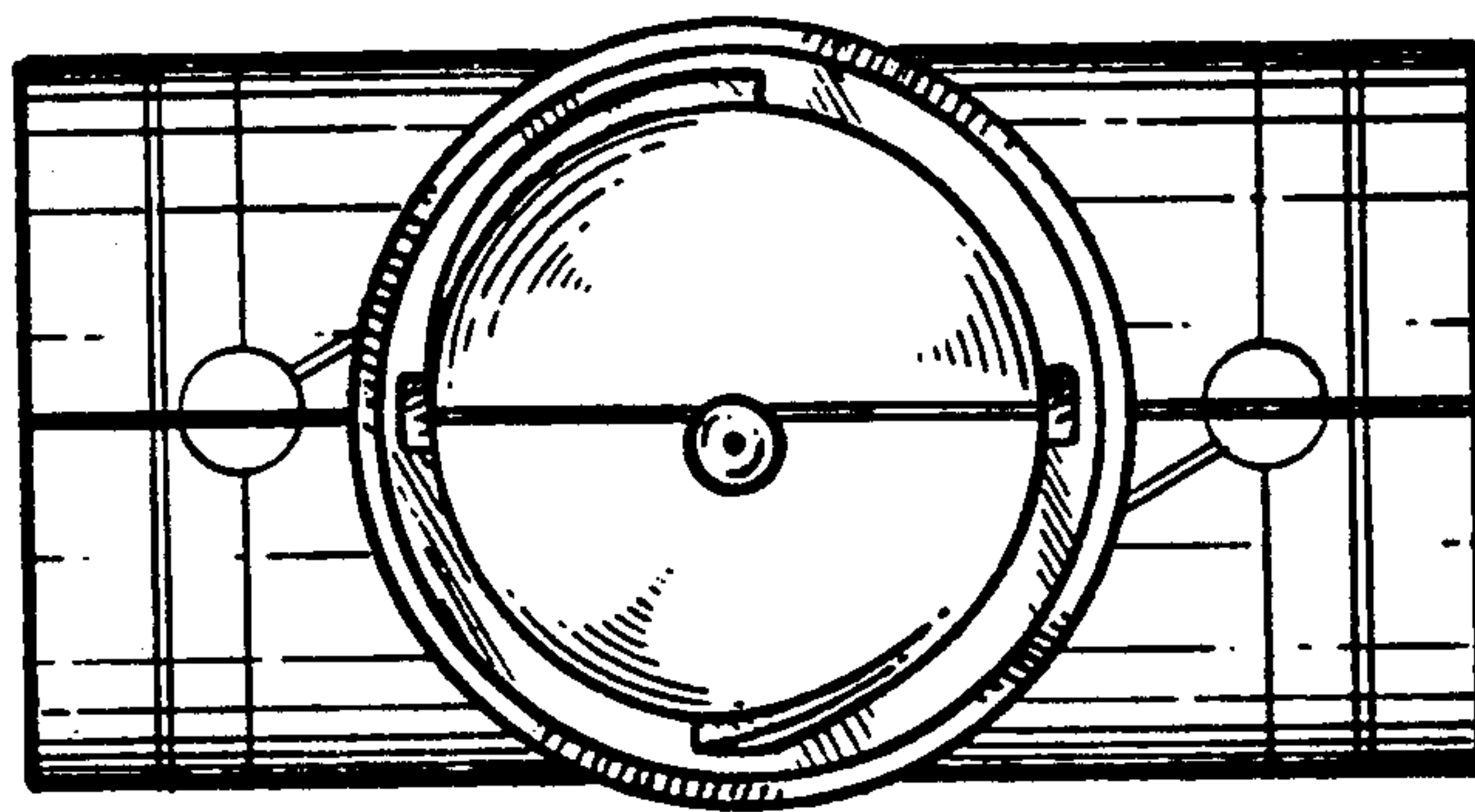


FIG. 7