



US00D333408S

United States Patent [19]

[11] Patent Number: **Des. 333,408**

Fleisher

[45] Date of Patent: **** Feb. 23, 1993**

[54] **TACO HOLDER**

[76] Inventor: **Nathaniel Fleisher, 258 Tuscany E., Delray Beach, Fla. 33446-1227**

[**] Term: **14 Years**

[21] Appl. No.: **795,100**

[22] Filed: **Nov. 20, 1991**

[52] U.S. Cl. **D7/504**

[58] Field of Search **D7/409, 504; D6/407, D6/462; 248/175, 107, 153; 211/13, 10, 11, 71; 99/426**

[56] **References Cited**

U.S. PATENT DOCUMENTS

D. 327,606 7/1992 Oellig et al. **D7/504**

OTHER PUBLICATIONS

Handsome Rewards Brochures, Rib Cradle.

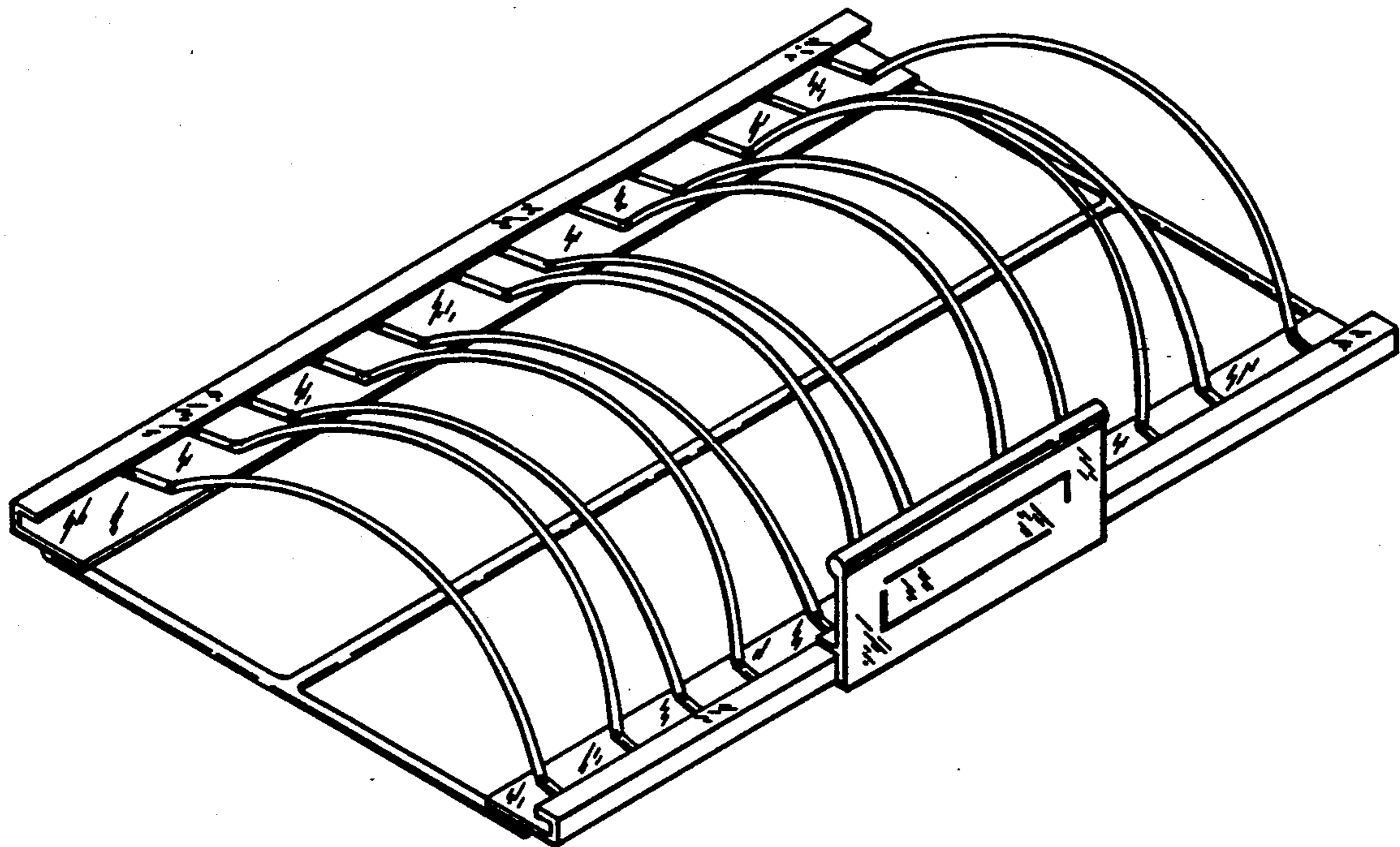
Primary Examiner—Terry A. Pfeffer
Attorney, Agent, or Firm—Nathaniel Fleisher

[57] **CLAIM**

The ornamental design for a taco holder, as shown and described.

DESCRIPTION

FIG. 1 is a top perspective view of the taco holder showing my new design;
FIG. 2 is a front elevational view thereof;
FIG. 3 is a left side elevational view thereof;
FIG. 4 is a top plan view of the wire portion which holds the tacos shown separately for clarity of illustration;
FIG. 5 is a top plan view of the main frame of FIG. 1 shown separately for clarity of illustration; and,
FIG. 6 is a top plan view of an alternate embodiment of the main frame of FIG. 1, the other parts of the holder being similar to FIG. 1.



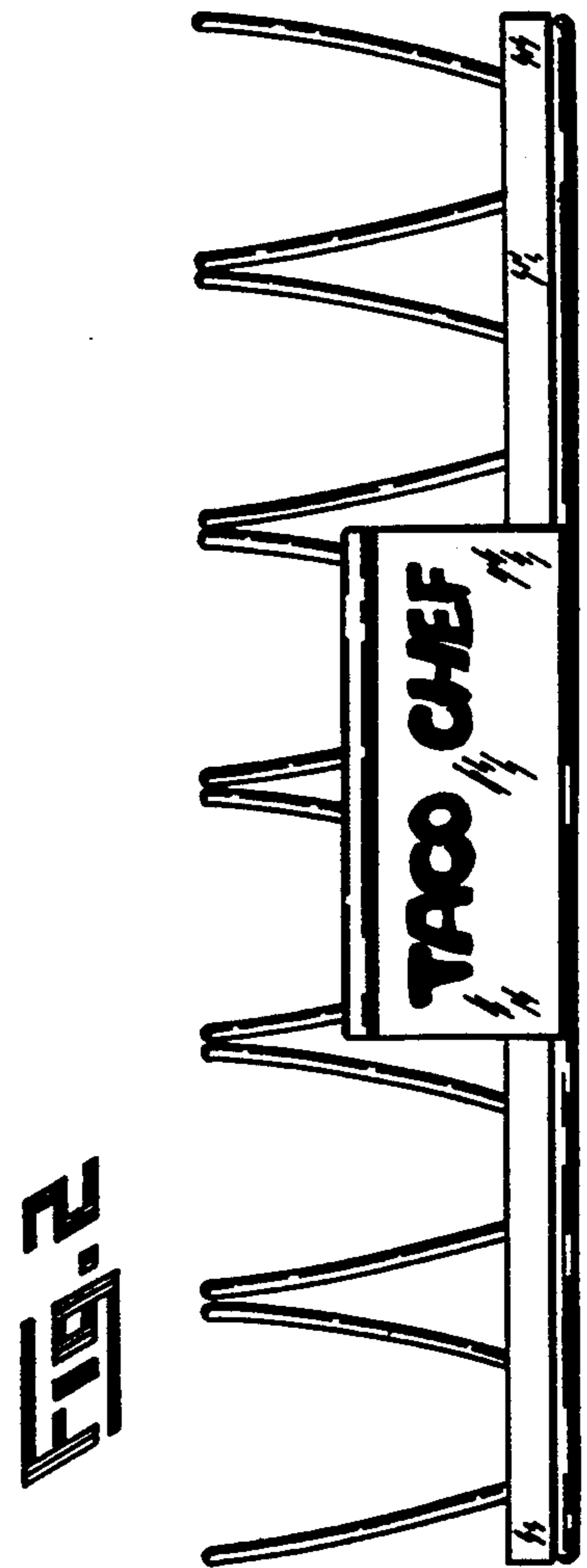
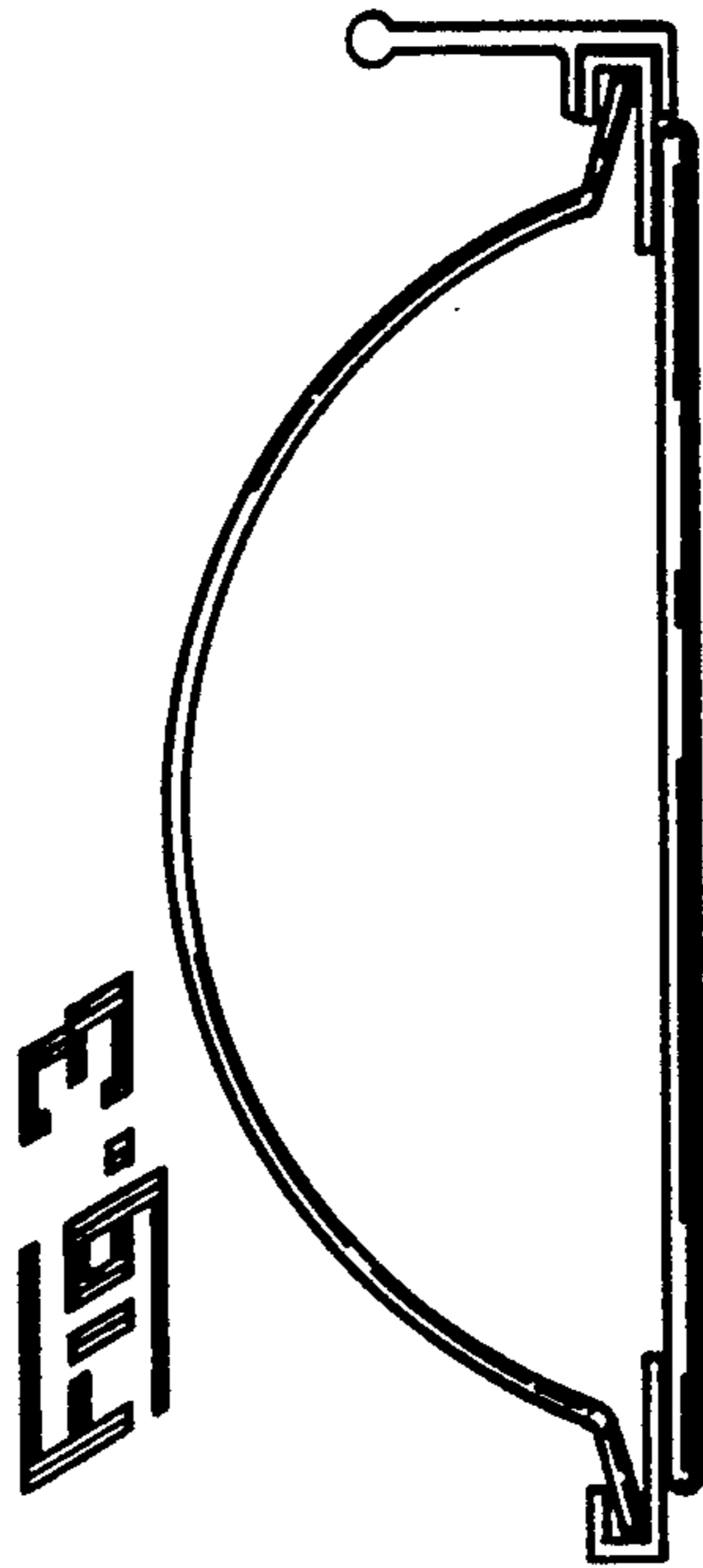
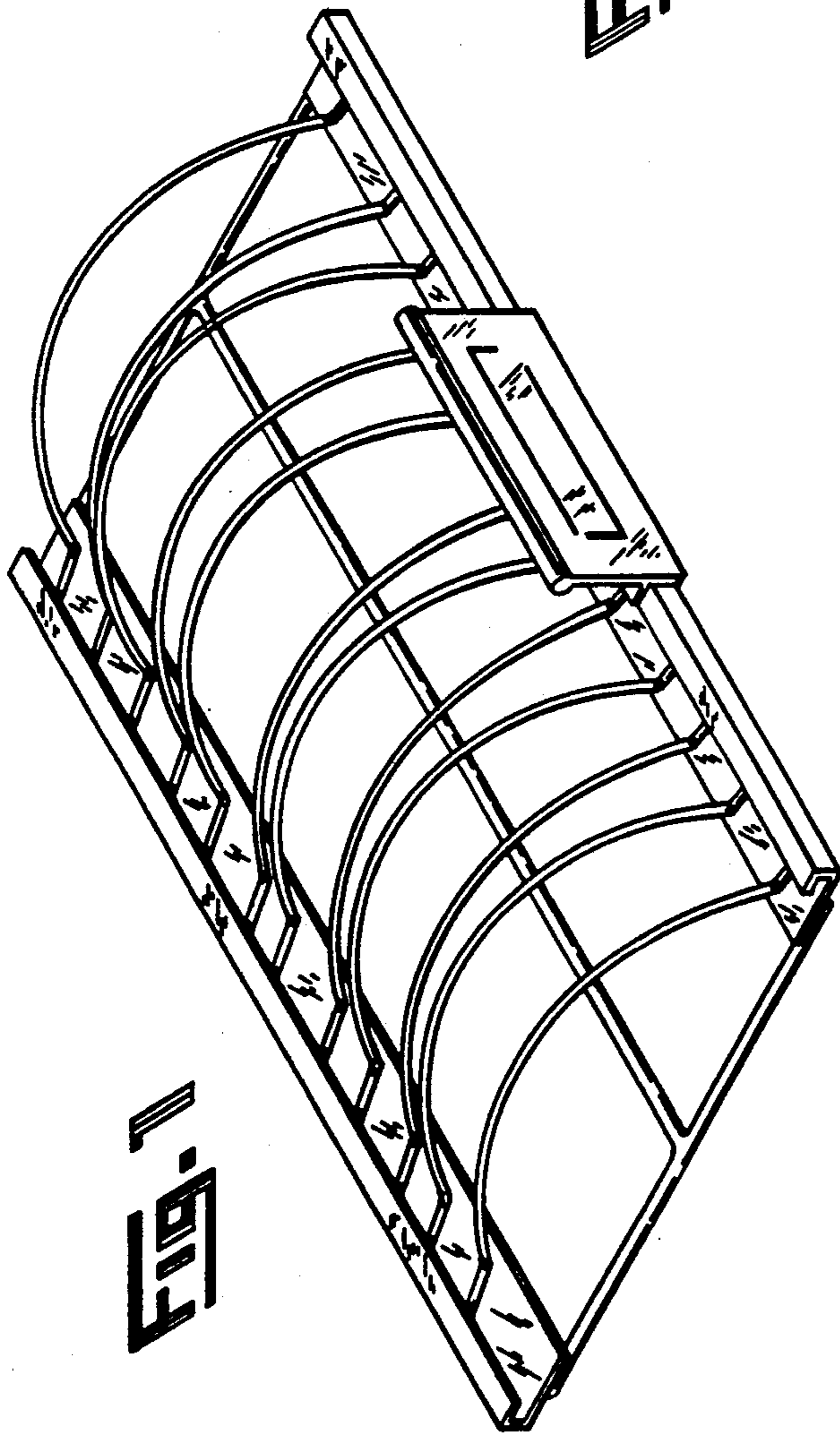


FIG. 5

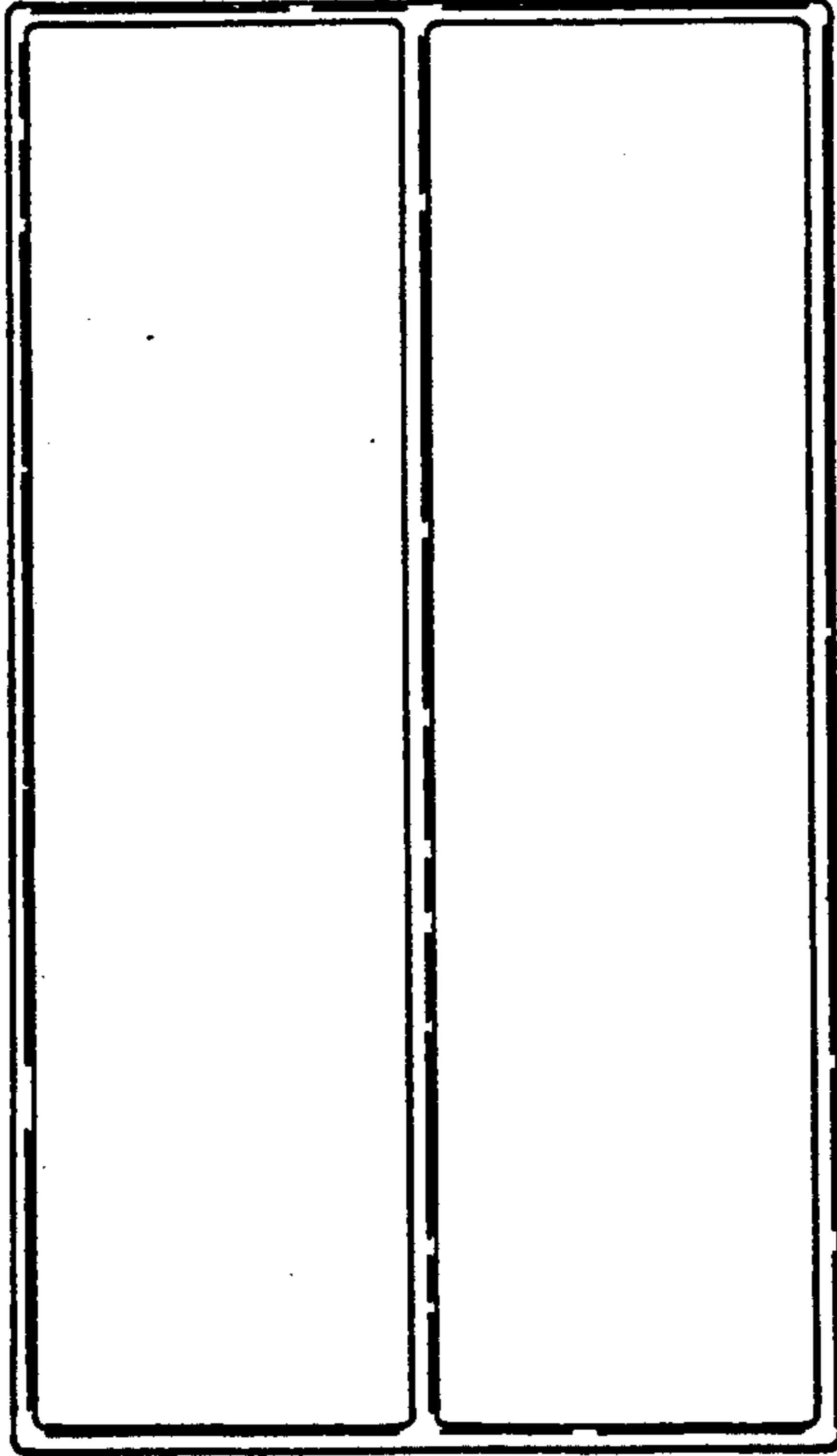


FIG. 6

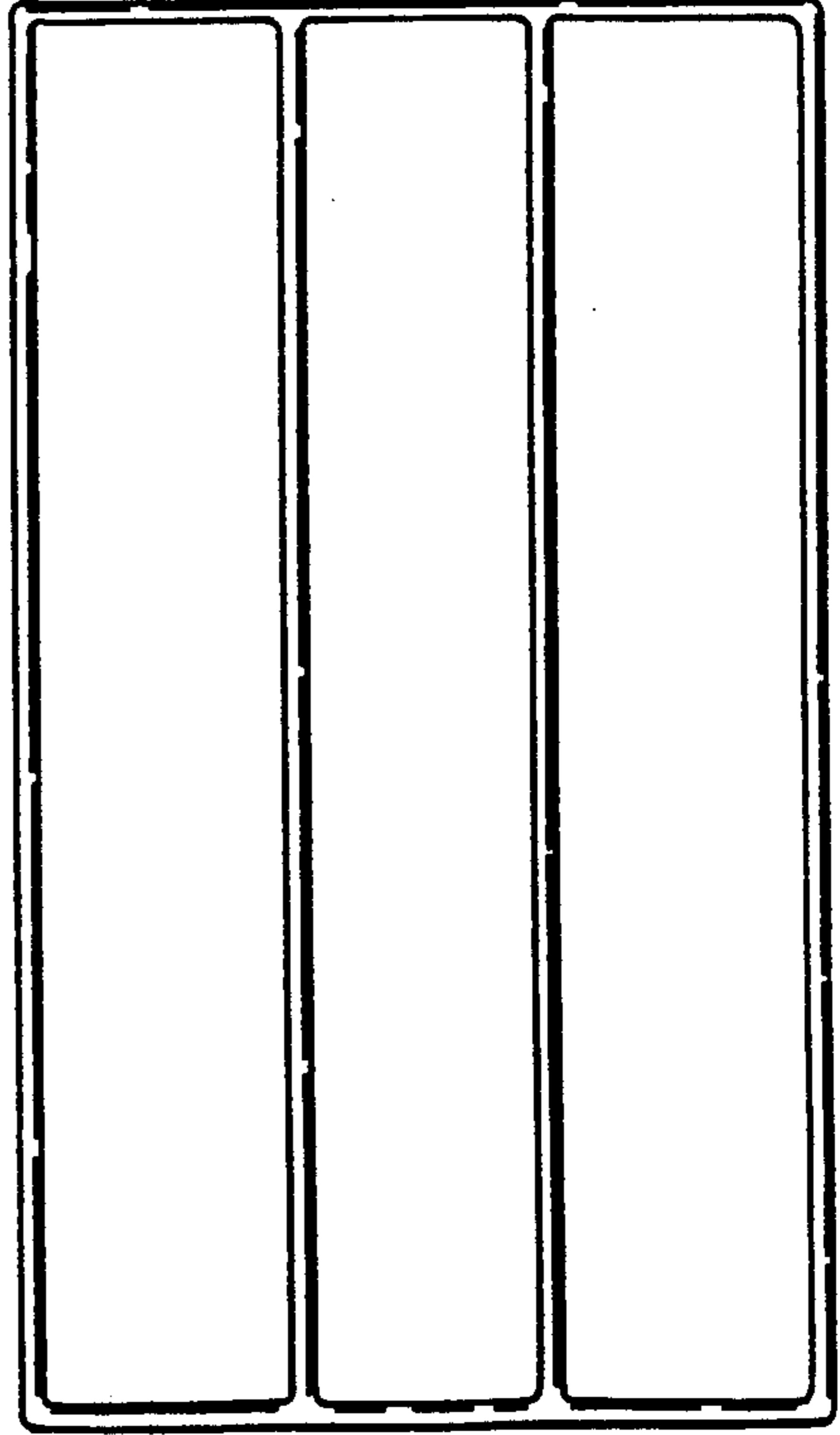


FIG. 4

