



US00D333400S

United States Patent [19]
Brown

[11] **Patent Number: Des. 333,400**
[45] **Date of Patent: ** Feb. 23, 1993**

[54] **SUTURE PACKAGE**
[75] **Inventor: David L. Brown, Wallingford, Conn.**
[73] **Assignee: United States Surgical Corporation, Norwalk, Conn.**
[**] **Term: 14 Years**
[21] **Appl. No.: 635,785**
[22] **Filed: Dec. 28, 1990**
[52] **U.S. Cl. D6/515; D24/145; D9/415**
[58] **Field of Search D24/145; D6/515; D9/415; 606/146; 200/63.3, 339**

4,412,614 11/1983 Ivanov et al. .
4,424,898 1/1984 Thyen et al. .
4,427,109 1/1984 Roshdy .
4,483,437 11/1984 Cerwin et al. .
4,496,045 1/1985 Ferguson et al. 206/63.3
4,549,649 10/1985 Roshdy .
4,555,016 11/1985 Aday et al. .
4,574,957 3/1986 Stead .
4,582,196 4/1986 Hughson et al. 206/63.3
4,699,271 10/1987 Lincoln et al. 206/63.3
4,730,725 3/1988 Marshall, Sr. et al. 206/63.3
4,813,537 3/1989 Okuhara et al. .
4,961,498 10/1990 Kalinski et al. .
4,967,902 11/1990 Sobel et al. .
5,056,658 10/1991 Sobel et al. 206/63.3
5,099,994 3/1992 Kalinski et al. 206/63.3
5,129,511 7/1992 Brown et al. 206/63.3

[56] **References Cited**

U.S. PATENT DOCUMENTS

2,615,565 10/1952 Bower et al. .
2,965,225 12/1960 Zoller et al. .
3,043,067 7/1962 Rynkiewicz et al. .
3,143,209 8/1964 Turiansky .
3,147,861 9/1964 Kurtz .
3,163,288 12/1964 Arvidsson .
3,189,174 6/1965 Cormack .
3,202,273 8/1965 Riall .
3,221,873 12/1965 Bowes et al. .
3,256,981 6/1966 Kurtz .
3,280,971 10/1966 Regan, Jr. .
3,301,393 1/1967 Regan, Jr. et al. .
3,315,802 4/1967 Lonholdt et al. .
3,319,782 5/1967 Bowes .
3,338,401 8/1967 Regan, Jr. .
3,357,549 12/1967 Staiti .
3,444,994 5/1969 Kaepernik et al. .
3,490,192 1/1970 Regan, Jr. .
3,495,703 2/1970 Calabrese .
3,613,879 10/1971 Kemble .
3,627,120 12/1971 Bordeau .
3,642,126 2/1972 Kurtz et al. .
3,731,793 5/1973 Hagel .
3,759,376 9/1973 Lisowski .
3,857,484 12/1974 Thyen .
3,927,418 8/1976 Schuler et al. .
3,939,969 2/1976 Miller et al. .
3,976,068 4/1975 Sonnino .
4,014,433 3/1977 Cerwin .
4,063,638 12/1977 Marwood .
4,249,656 2/1981 Cerwin et al. .
4,406,363 9/1983 Aday .

OTHER PUBLICATIONS

Suture Catalog, Feb. 1, 1972, Health Industries No. 2300.

Primary Examiner—Stella Reid
Assistant Examiner—I. Simmons
Attorney, Agent, or Firm—Thomas R. Bremer; Peter G. Dilworth; Rocco S. Barrese

[57] **CLAIM**

The ornamental design for a suture package, as shown and described.

DESCRIPTION

FIG. 1 is a top perspective view of a suture package, showing my new design;
FIG. 2 is a bottom perspective view thereof;
FIG. 3 is a bottom plan view thereof;
FIG. 4 is an end elevational view thereof;
FIG. 5 is an end elevational view thereof, opposite that shown in FIG. 4;
FIG. 6 is a side elevational view thereof;
FIG. 7 is a side elevational view thereof, opposite that shown in FIG. 6;
FIG. 8 is a cross-sectional view thereof, take along the line 8—8 of FIG. 6;
FIG. 9 is a top perspective view of a second embodiment of the suture package;
FIG. 10 is a bottom perspective view thereof;
FIG. 11 is a bottom plan view thereof;

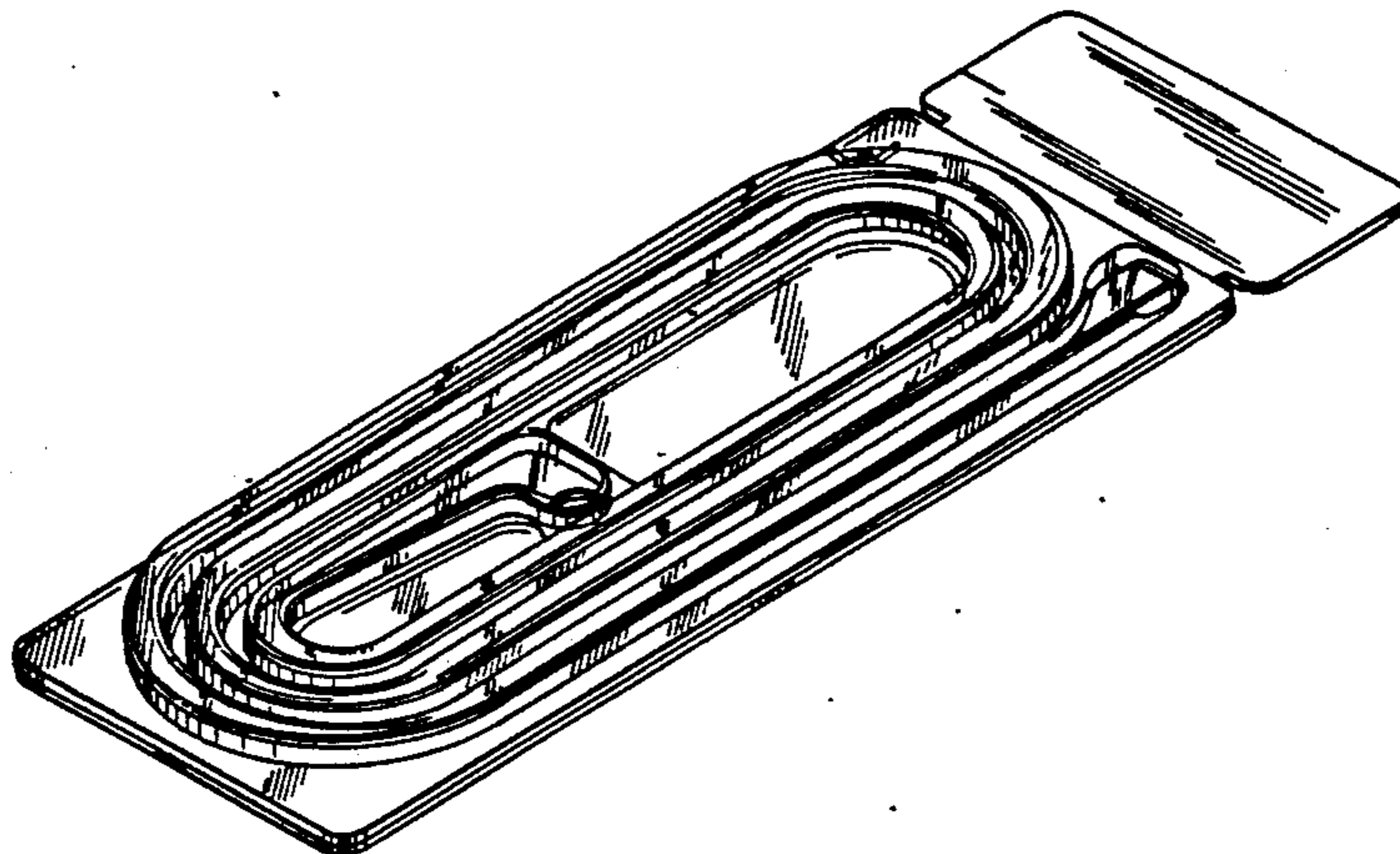


FIG. 12 is an end elevational view thereof;
FIG. 13 is an end elevational view thereof, opposite that shown in FIG. 12;
FIG. 14 is a side elevational view thereof;
FIG. 15 is a side elevational view thereof, opposite that shown in FIG. 14;
FIG. 16 is a cross-sectional view thereof, taken along the line 16—16 of FIG. 14;
FIG. 17 is a top perspective view of a third embodiment of the suture package;

FIG. 18 is a bottom perspective view thereof;
FIG. 19 is a bottom plan view thereof;
FIG. 20 is an end elevational view thereof;
FIG. 21 is an end elevational view thereof, opposite that shown in FIG. 20;
FIG. 22 is a side elevational view thereof;
FIG. 23 is a side elevational view thereof, opposite that shown in FIG. 22; and,
FIG. 24 is a cross-sectional view thereof, taken along the line 24—24 of FIG. 23.

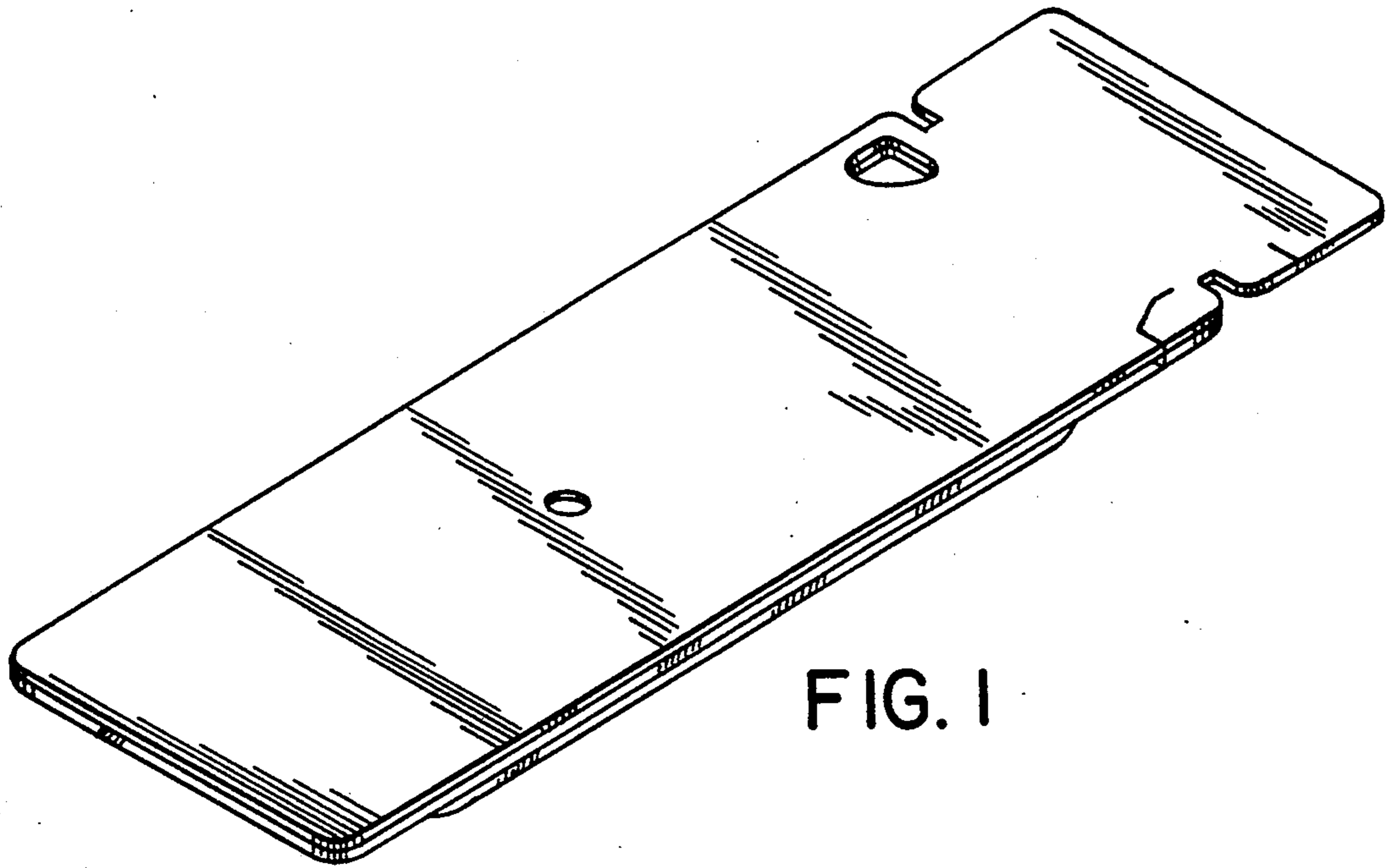


FIG. 1

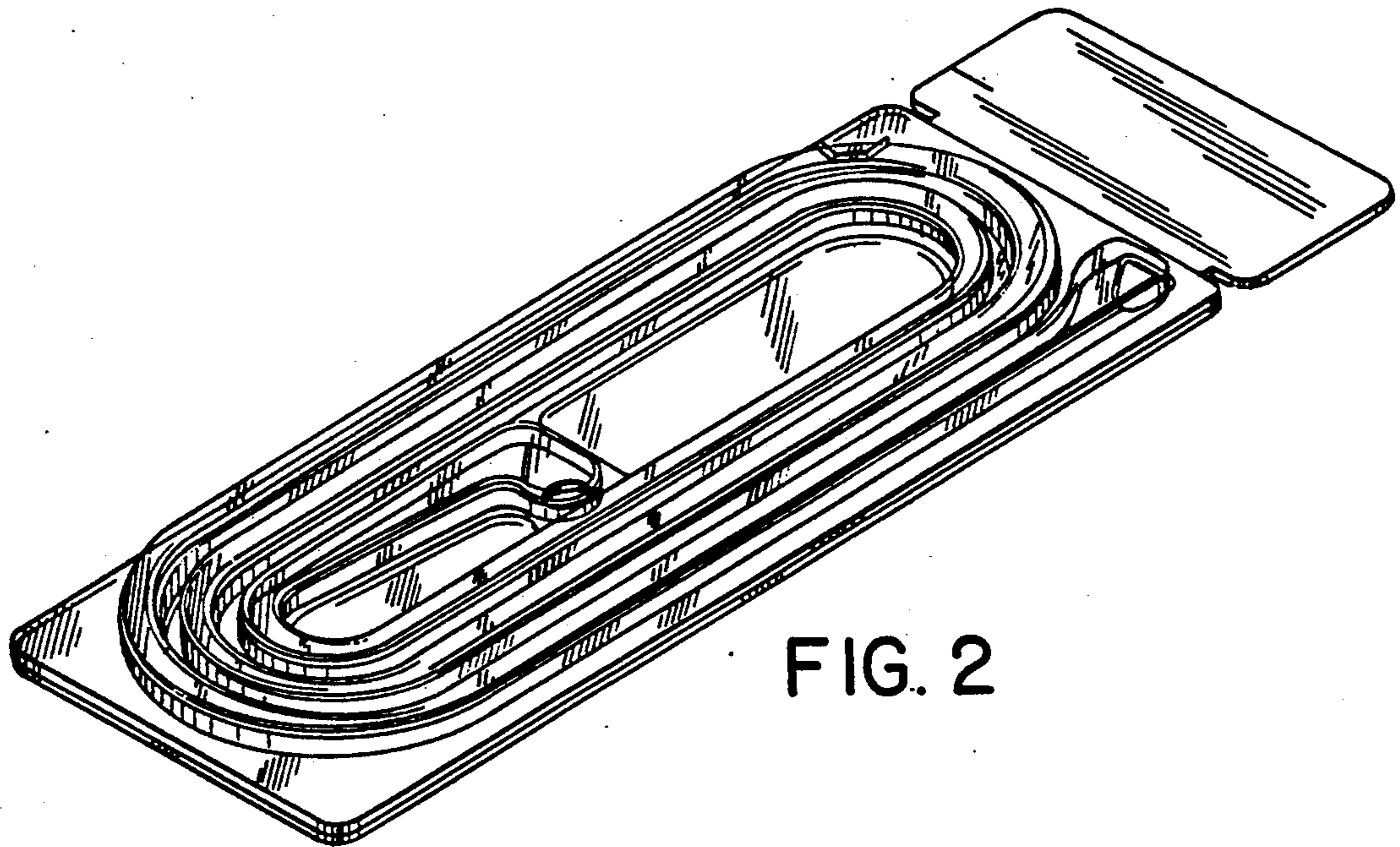


FIG. 2



FIG. 5

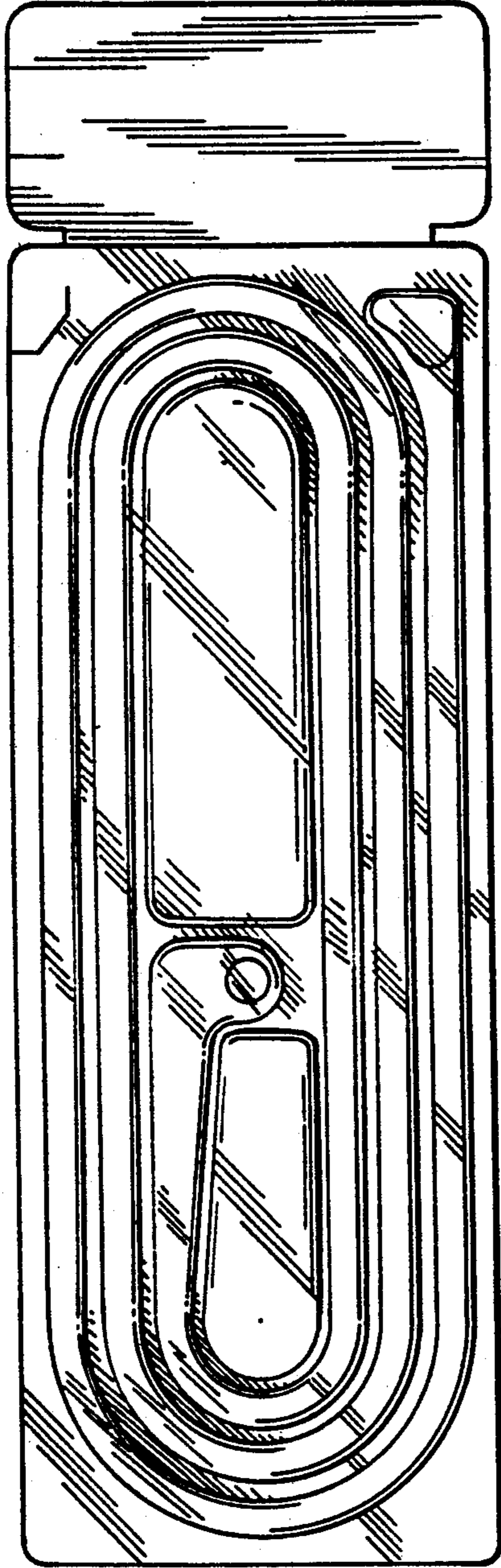


FIG. 3



FIG. 4

8-i



8-i

FIG. 6



FIG. 7



FIG. 8

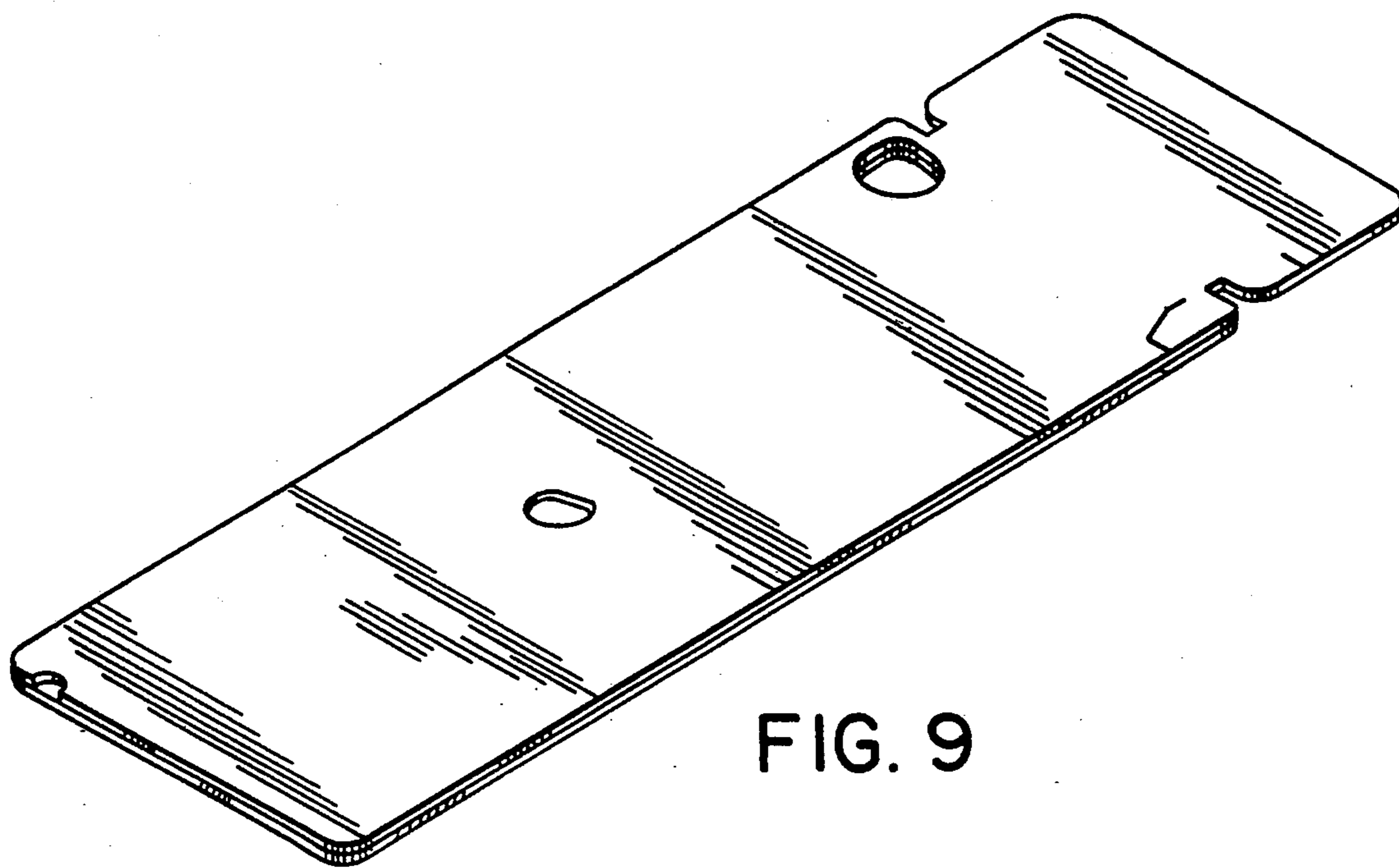


FIG. 9

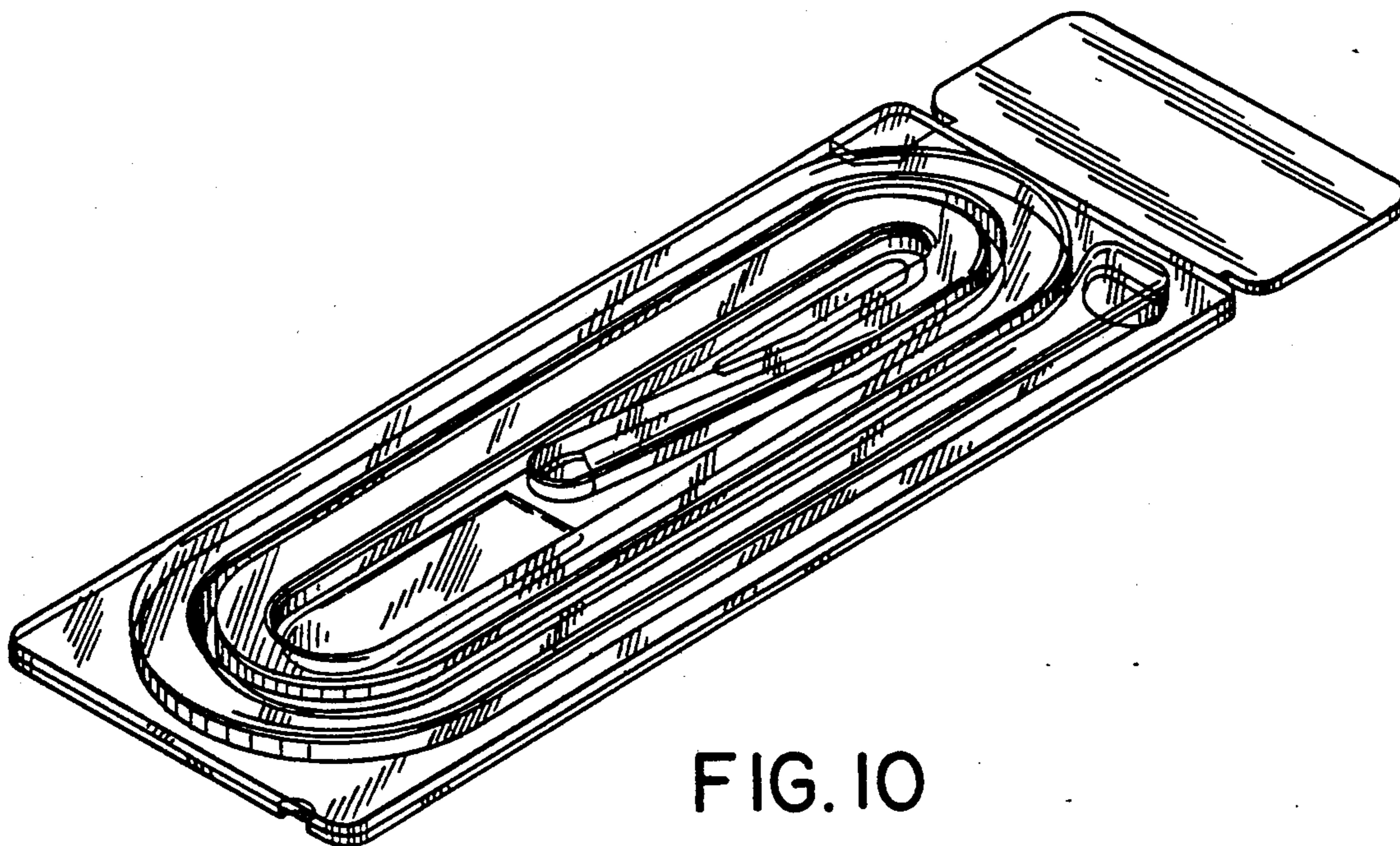


FIG. 10



FIG. 13

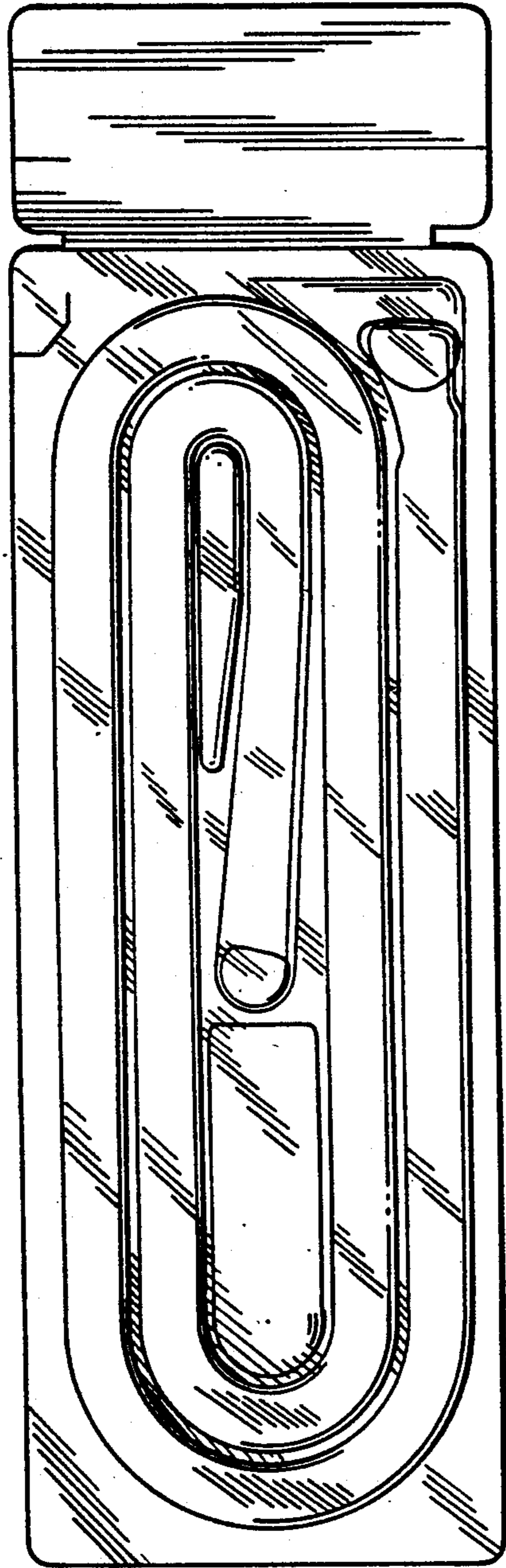


FIG. 11



FIG. 12

16 →



FIG. 14

16 →



FIG. 15



FIG. 16

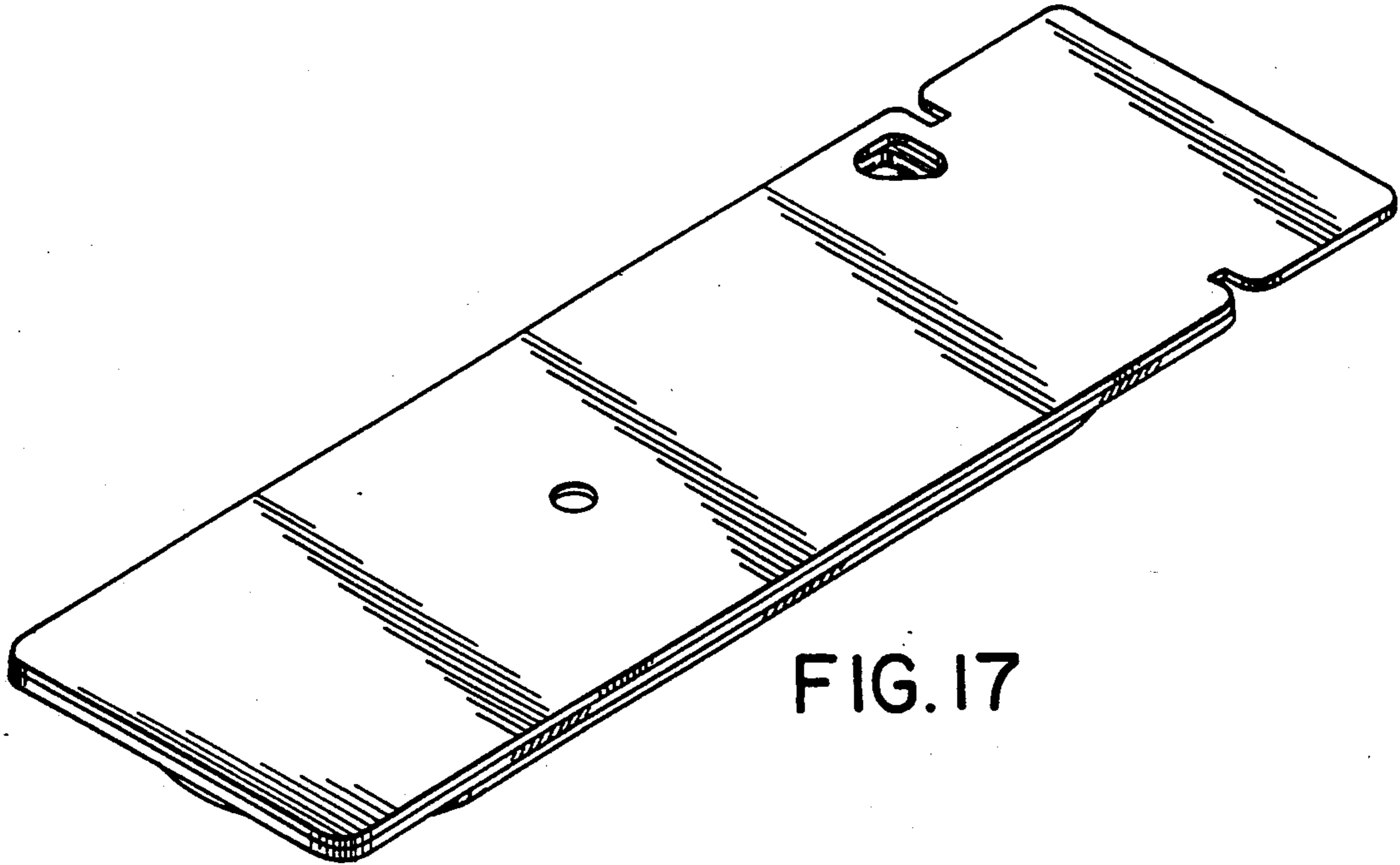


FIG. 17

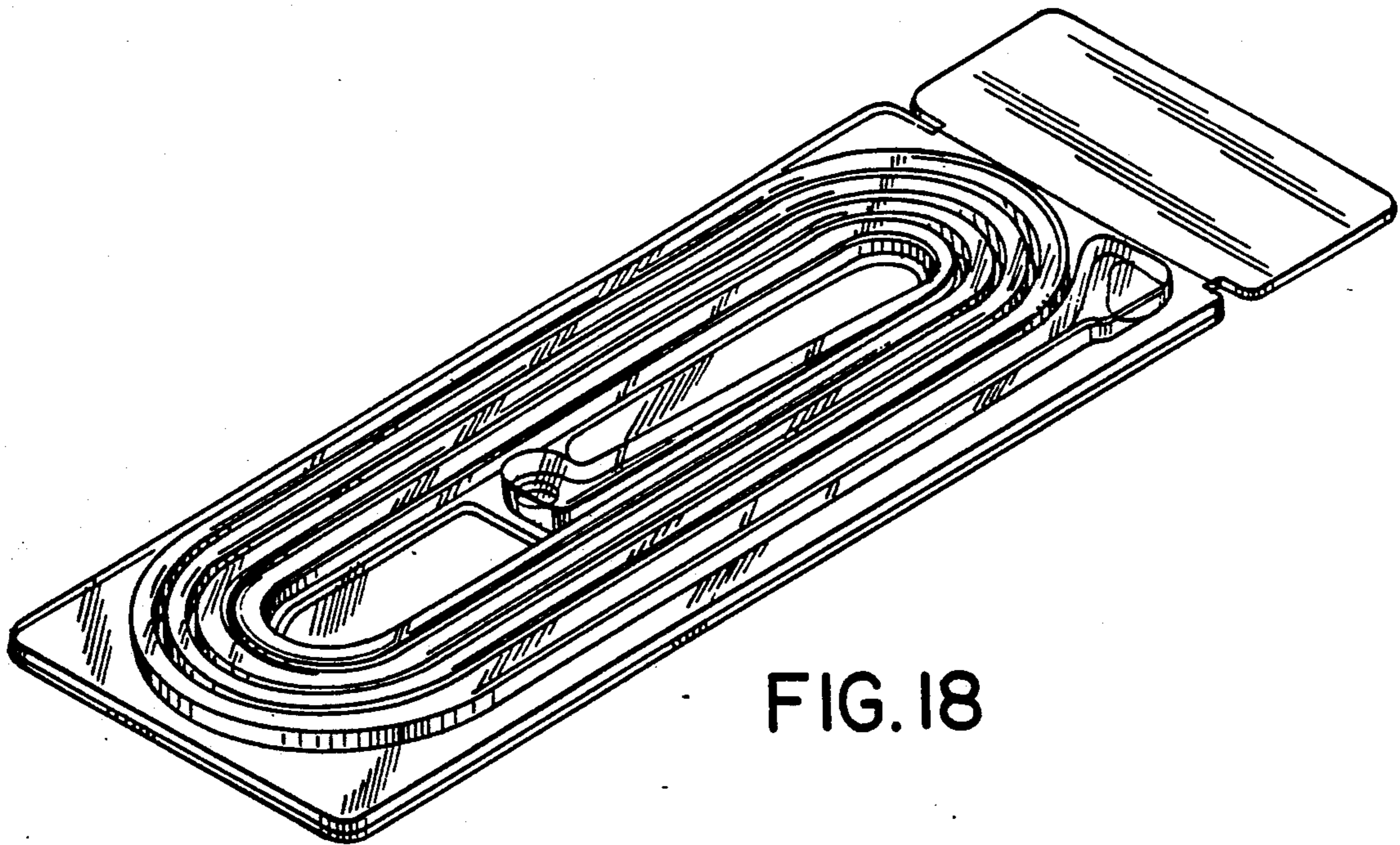


FIG. 18

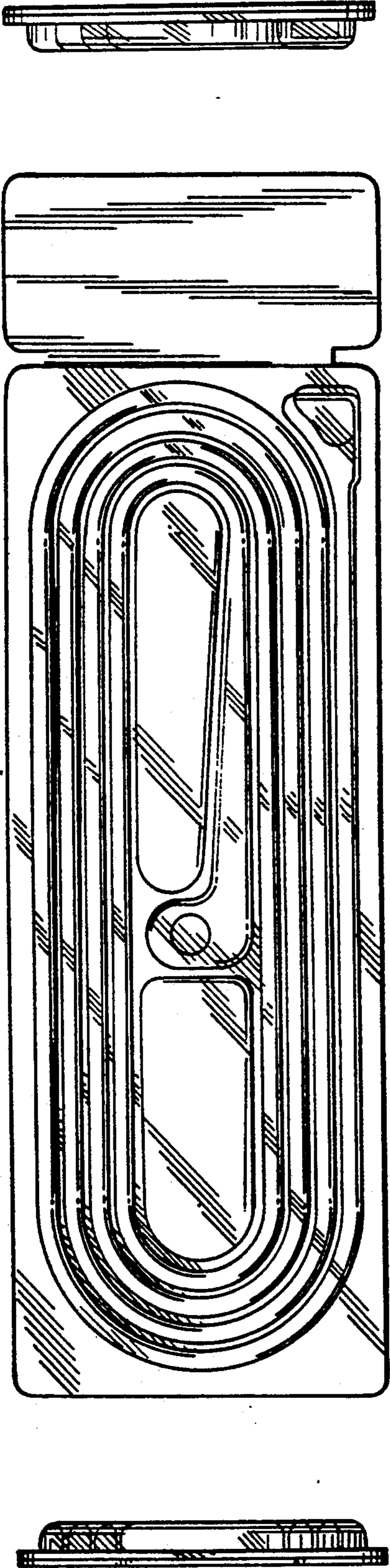
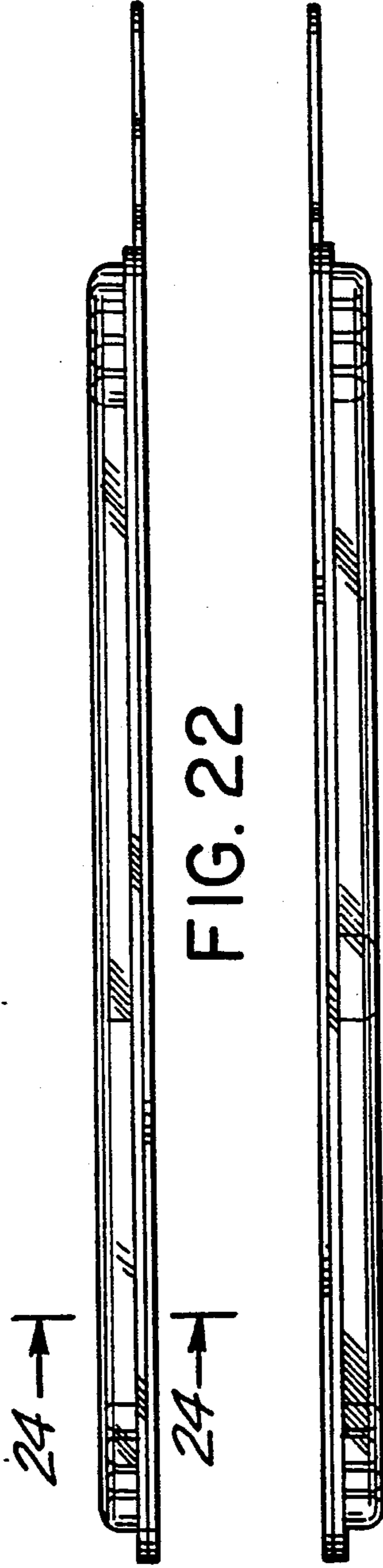


FIG. 20

FIG. 19

FIG. 21



24 →

24 →

FIG. 22

FIG. 23



FIG. 24