



US00D333399S

# United States Patent [19]

[11] Patent Number: **Des. 333,399**

Thomas, Jr.

[45] Date of Patent: **\*\* Feb. 23, 1993**

## [54] GREASE GUN CARTRIDGE DISPENSER

[76] Inventor: **Grady Thomas, Jr., 4775 Royal Dr., Post Falls, Id. 83854**

[\*\*] Term: **14 Years**

[21] Appl. No.: **540,920**

[22] Filed: **Jun. 20, 1990**

[52] U.S. Cl. .... **D6/515**

[58] Field of Search ..... **D6/515, 517, 520, 567; 221/66, 281-286, 155; 222/173, 180-181; 312/37**

## [56] References Cited

### U.S. PATENT DOCUMENTS

- D. 283,189 4/1986 Hampton ..... D6/567 X
- D. 293,182 12/1987 Carter ..... D6/518
- D. 308,612 6/1990 Cuevas ..... D6/523
- D. 324,617 3/1992 McCarnleg ..... D6/518
- 4,580,695 7/1986 Lum ..... 312/37

## FOREIGN PATENT DOCUMENTS

1159022 2/1958 France ..... D6/515 X

*Primary Examiner*—Brian N. Vinson  
*Attorney, Agent, or Firm*—Wells, St. John, Roberts, Gregory & Matkin

## [57] CLAIM

The ornamental design for a grease gun cartridge dispenser, as shown and described.

## DESCRIPTION

FIG. 1 is a top, front, and left side perspective view of a grease gun cartridge dispenser showing my new design;

FIG. 2 is a top plan view thereof;

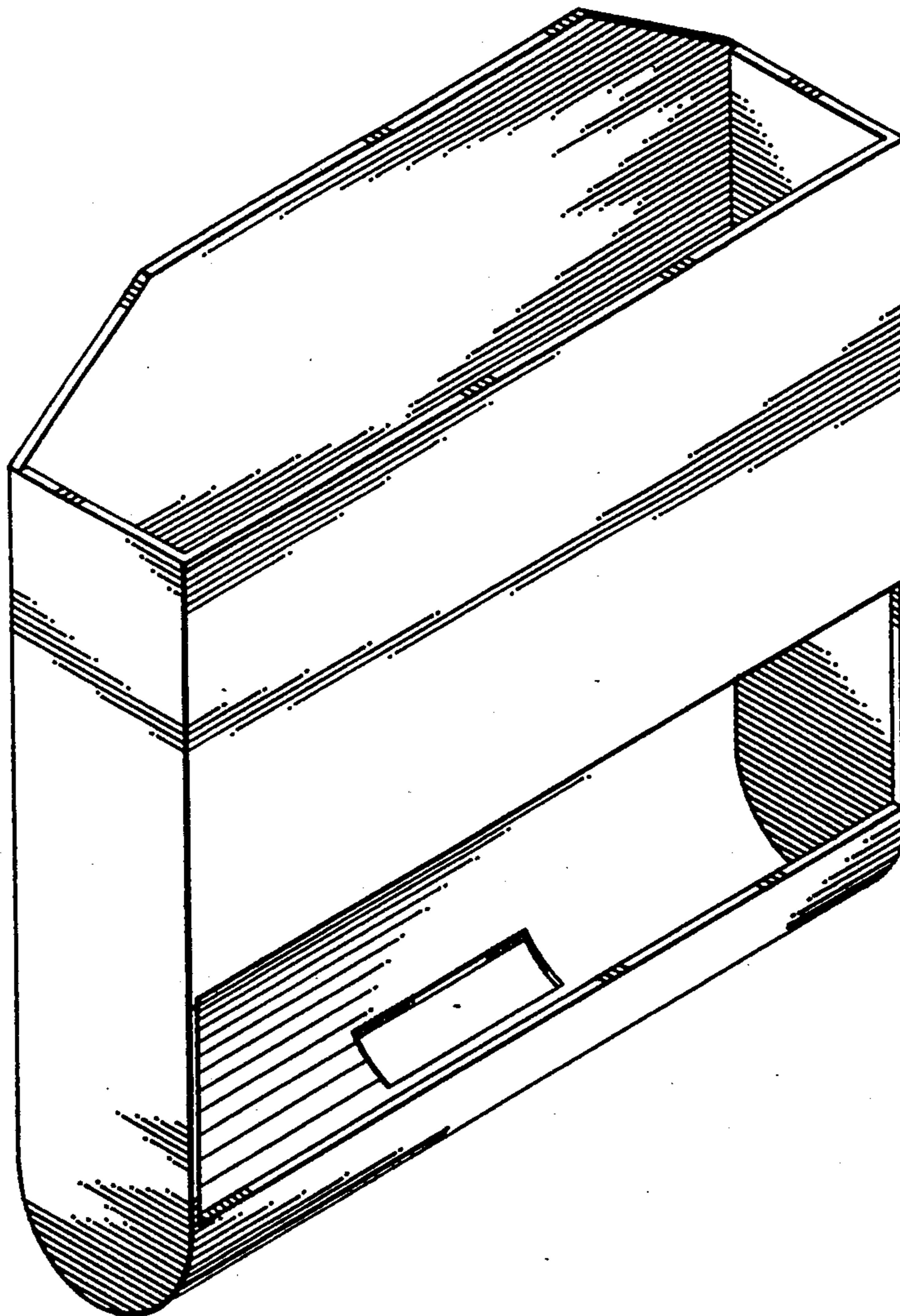
FIG. 3 is a front elevational view thereof;

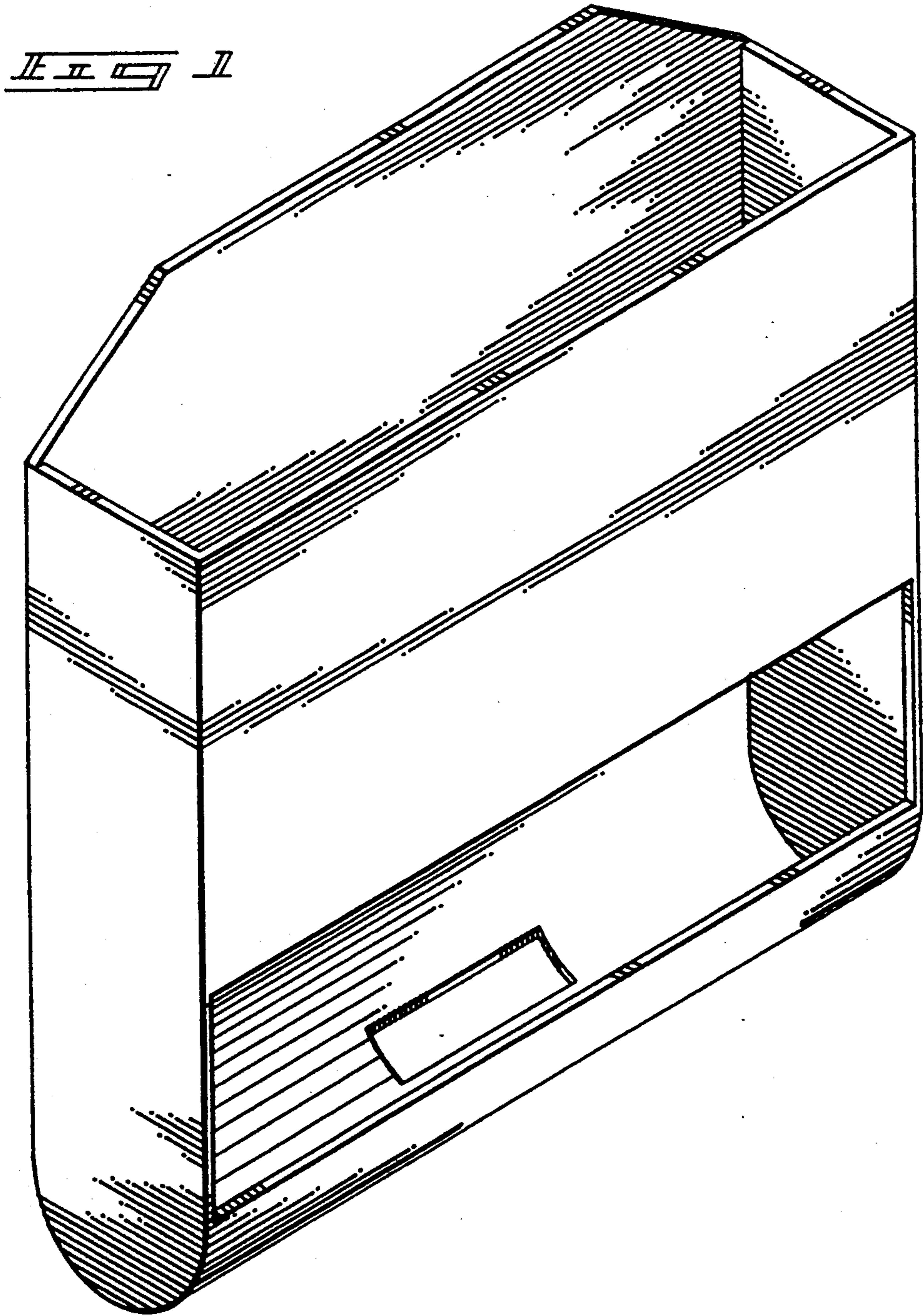
FIG. 4 is a rear elevational view thereof;

FIG. 5 is a left side elevational view thereof;

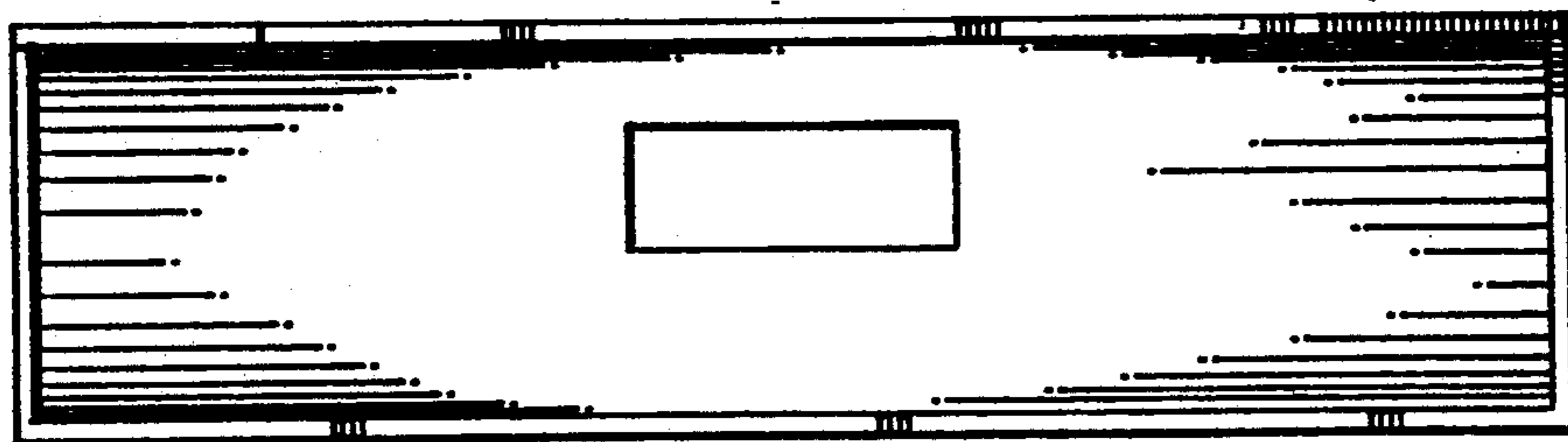
FIG. 6 is a right side elevational view thereof; and,

FIG. 7 is a bottom plan view thereof.

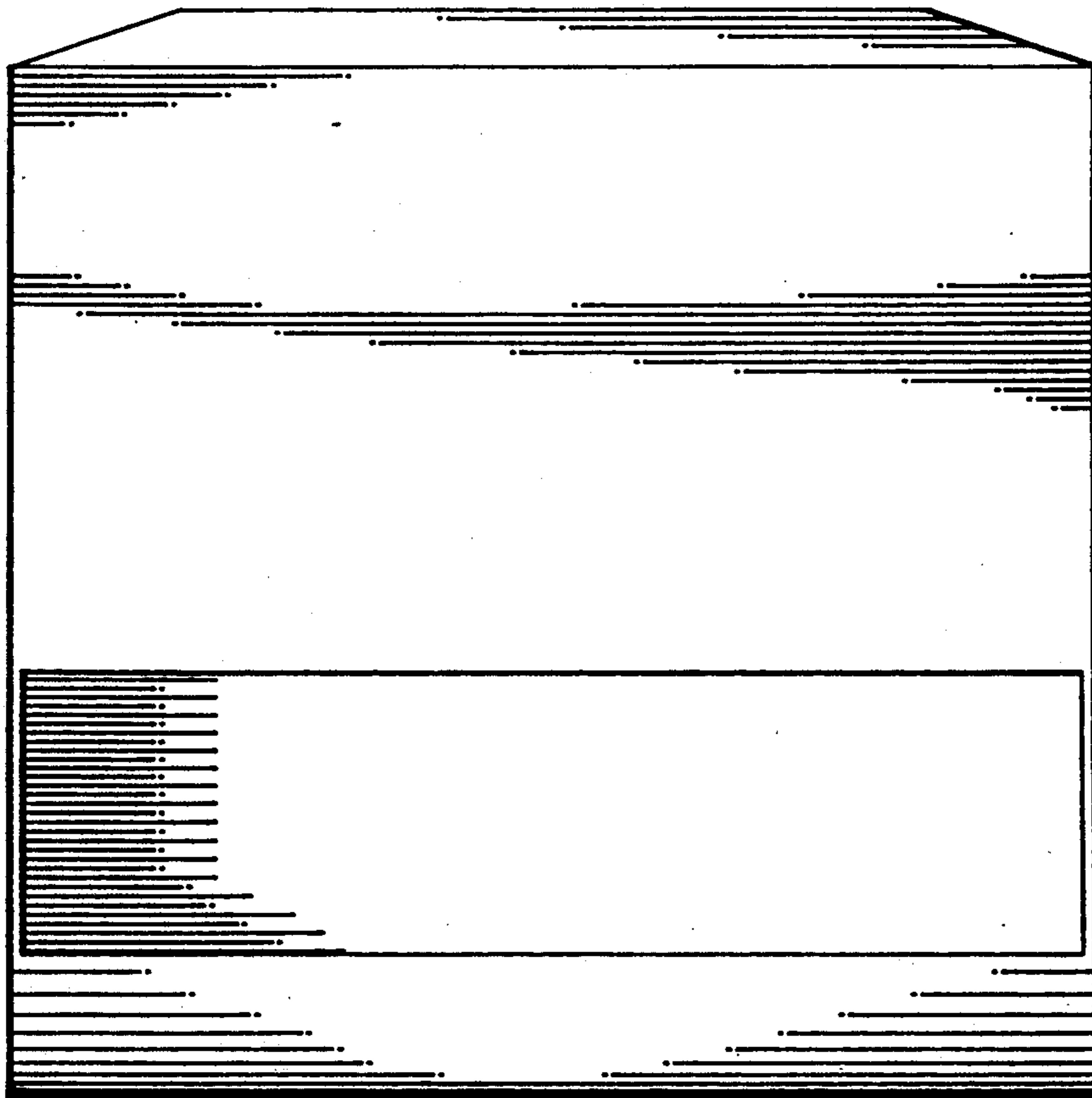




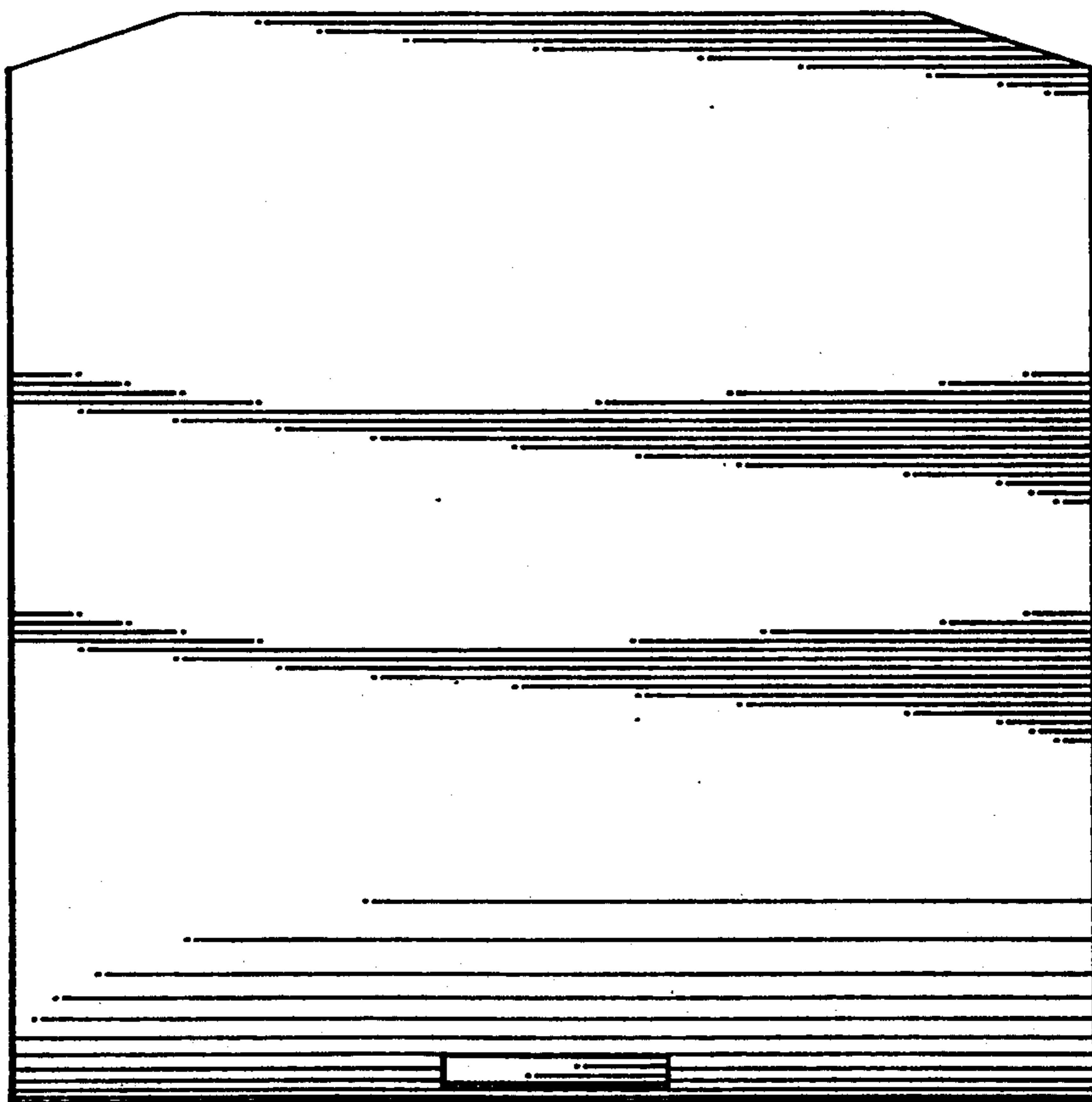
*Fig. 1*



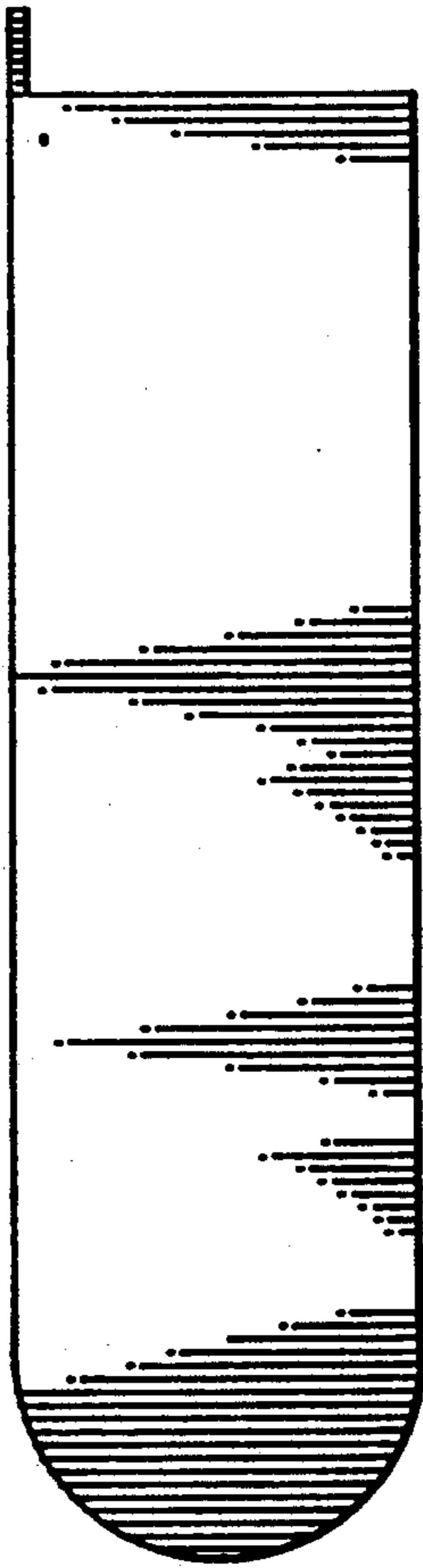
*Fig. 2*



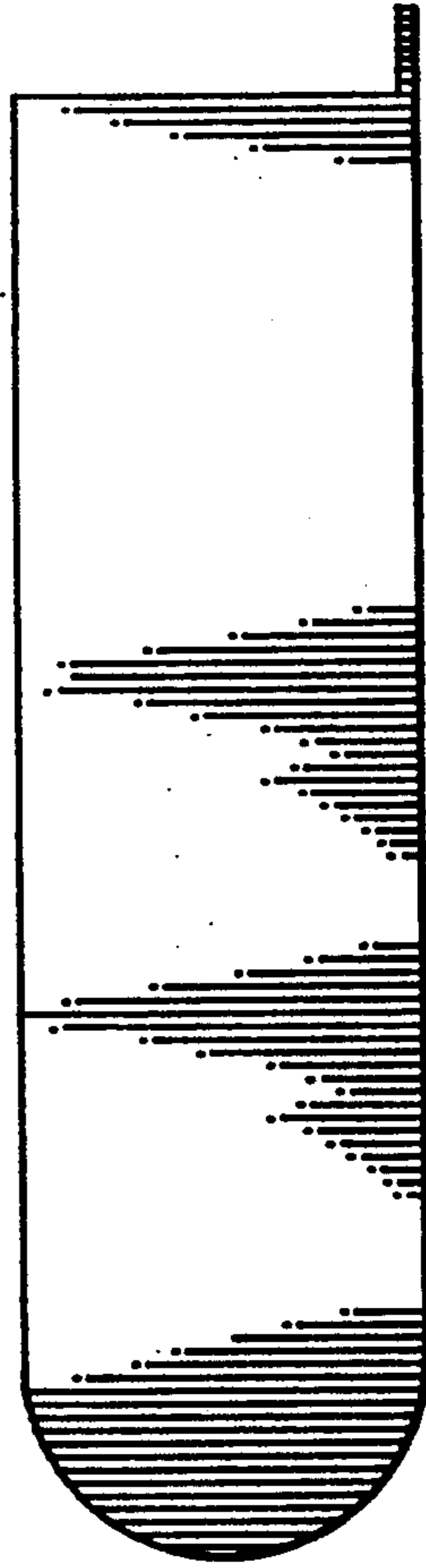
*11*



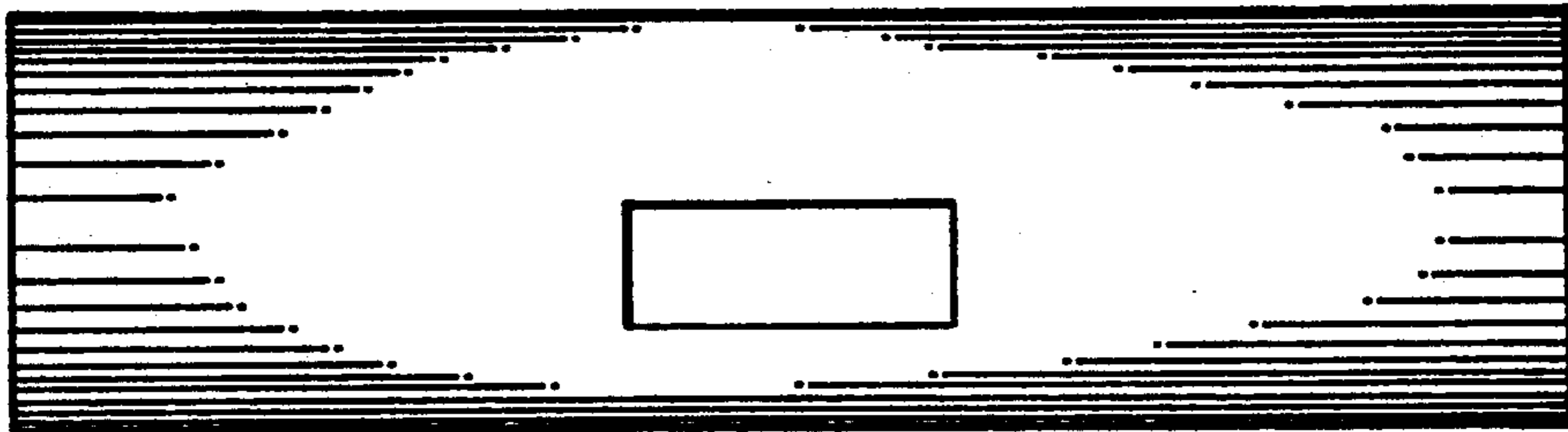
*12*



*Fig. 5*



*Fig. 6*



*Fig. 7*