



US00D333398S

United States Patent [19]

[11] Patent Number: **Des. 333,398**

Sedighzadeh et al.

[45] Date of Patent: **** Feb. 23, 1993**

[54] **CEILING OR WALL-MOUNTED TV MONITOR SUPPORT**

[75] Inventors: **Marty Sedighzadeh**, 11504 W. Berry Pl., Littleton, Colo. 80127; **Robert Bromley**, Boulder, Colo.

[73] Assignee: **Marty Sedighzadeh**, Littleton, Colo.

[**] Term: **14 Years**

[21] Appl. No.: **762,956**

[22] Filed: **Sep. 19, 1991**

[52] U.S. Cl. **D6/513**

[58] Field of Search **D14/125, 239; D6/512-513; D8/349, 373; 358/248-249, 254-255; 211/113, 115; 312/245-246, 917, 919, 922; D16/203; 248/317**

[56] **References Cited**

U.S. PATENT DOCUMENTS

- D. 150,136 7/1948 Hecht D14/239
- D. 227,149 6/1976 Deane et al. .
- D. 242,595 12/1975 De Lise et al. .
- D. 248,305 6/1978 Scott .
- D. 255,447 6/1980 Dahlström D14/126
- D. 270,677 9/1988 Creske .
- D. 273,012 3/1984 Kozloski D16/203
- D. 280,459 9/1985 McClelland .
- D. 282,068 1/1986 Claggett D16/203 X

- D. 293,108 12/1987 Brion D14/126
- D. 293,843 1/1988 Kroll et al. .
- D. 314,483 2/1991 Zimpride et al. D6/513
- D. 320,028 9/1991 Sedighzadeh et al. D16/203
- 3,574,340 4/1971 Busche .
- 3,981,340 9/1976 Anderson et al. .
- 4,959,645 9/1990 Balz .
- 4,964,606 10/1990 Beam et al. .
- 4,993,676 2/1991 Fitts et al. 312/245 X
- 5,064,161 11/1991 Anderson 248/317

FOREIGN PATENT DOCUMENTS

- 2528955A1 1/1977 Fed. Rep. of Germany .
- 3639863A1 6/1988 Fed. Rep. of Germany .

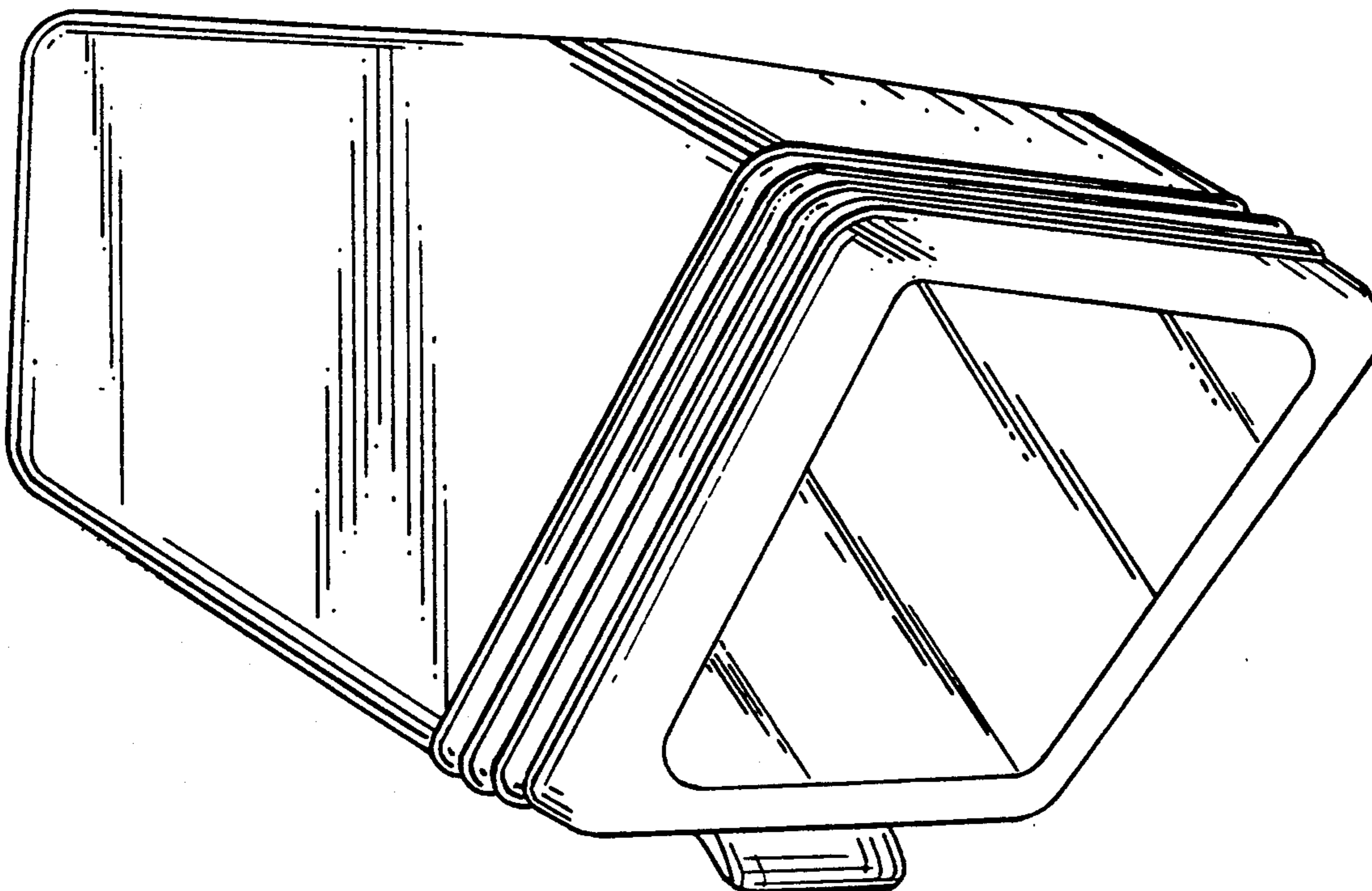
Primary Examiner—Brian N. Vinson
Attorney, Agent, or Firm—Gary M. Polumbus

[57] **CLAIM**

The ornamental design for a ceiling or wall-mounted TV monitor support, as shown and described.

DESCRIPTION

FIG. 1 is a bottom, front, and left side perspective view of a ceiling or wall-mounted TV monitor support showing our new design; FIG. 2 is a reduced rear elevational view thereof; FIG. 3 is a reduced right side elevational view thereof, the left side being a mirror image of that shown; FIG. 4 is a reduced bottom plan view thereof; and, FIG. 5 is a reduced front elevational view thereof.



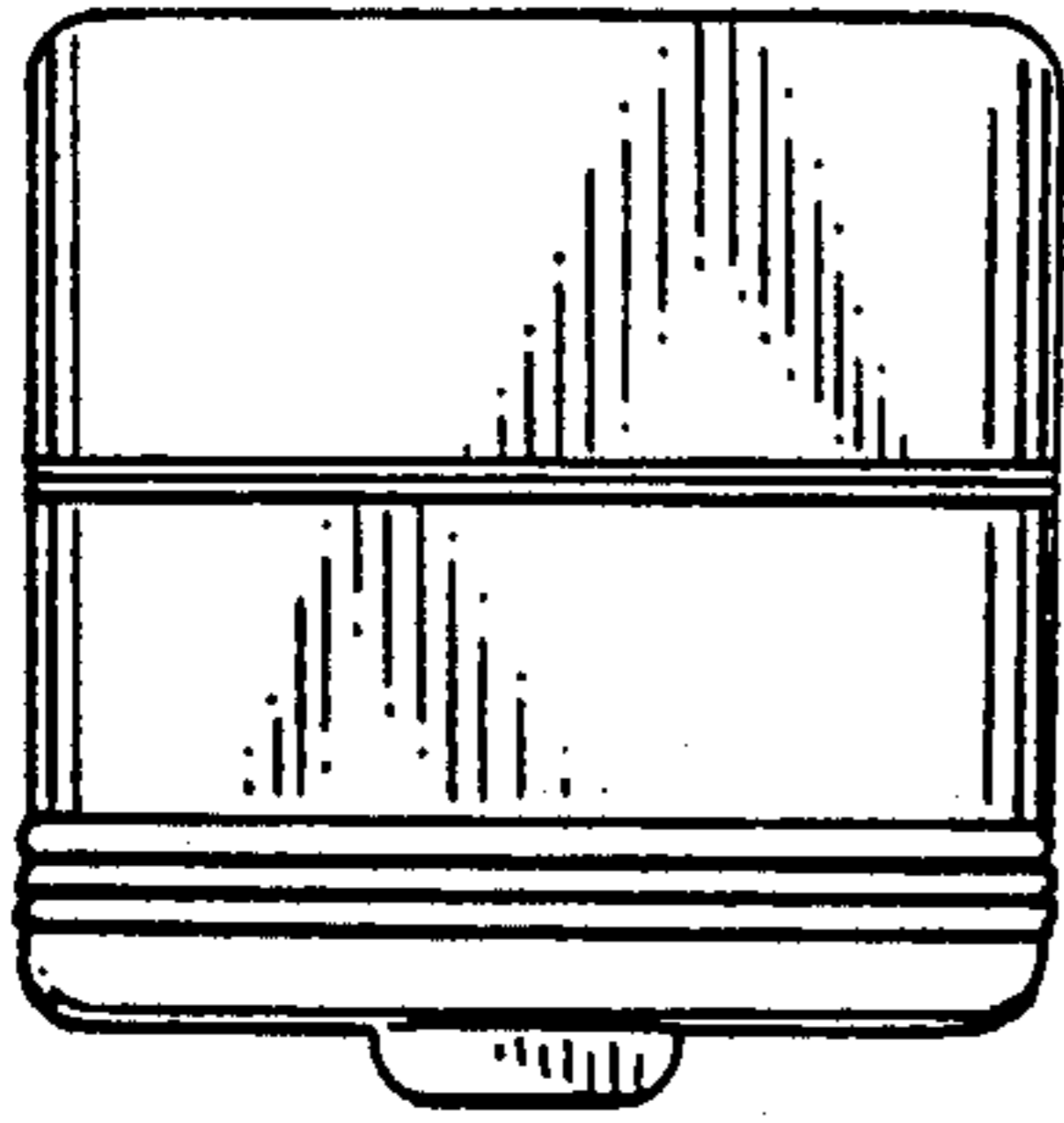


FIG. 2

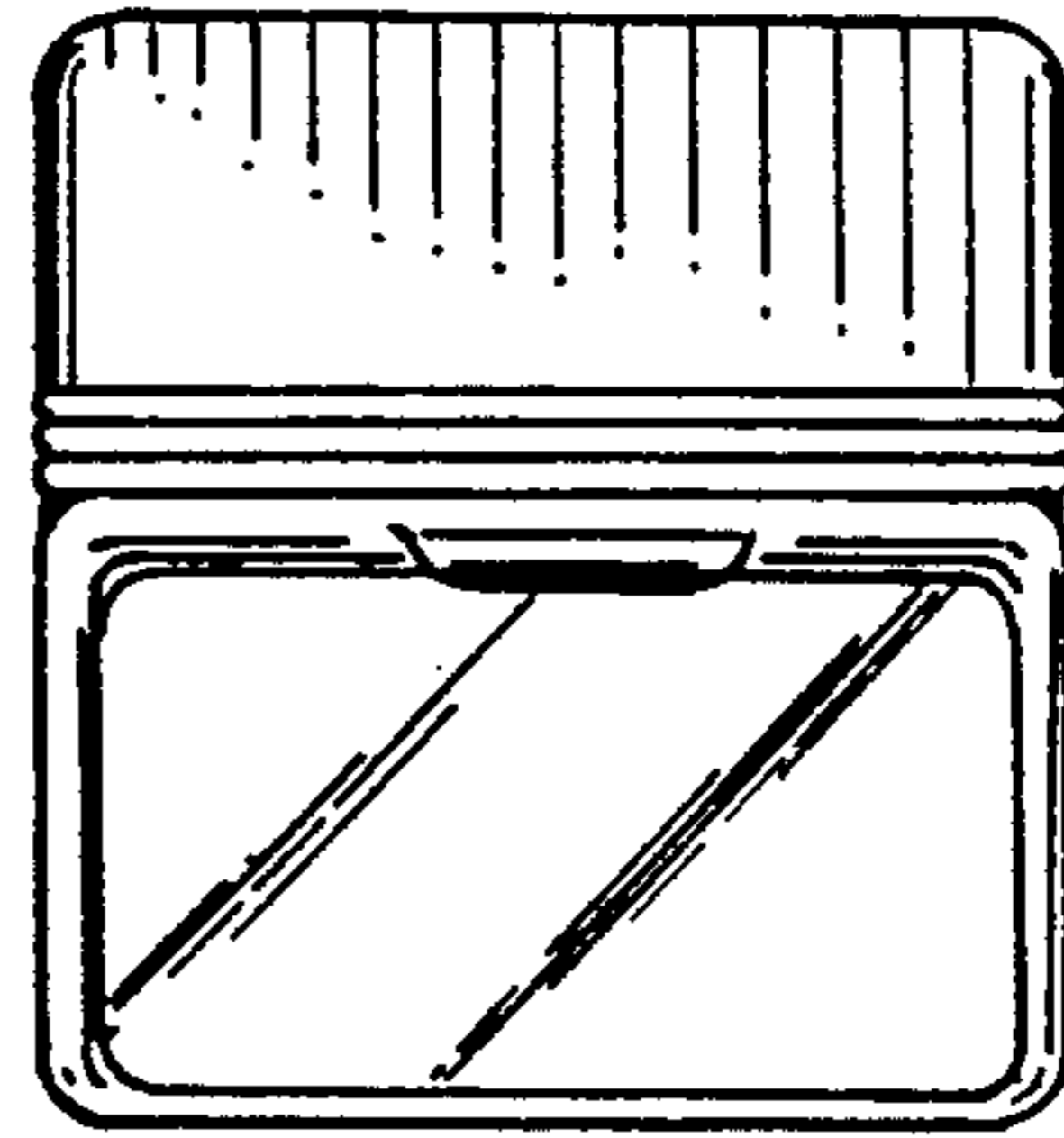


FIG. 4

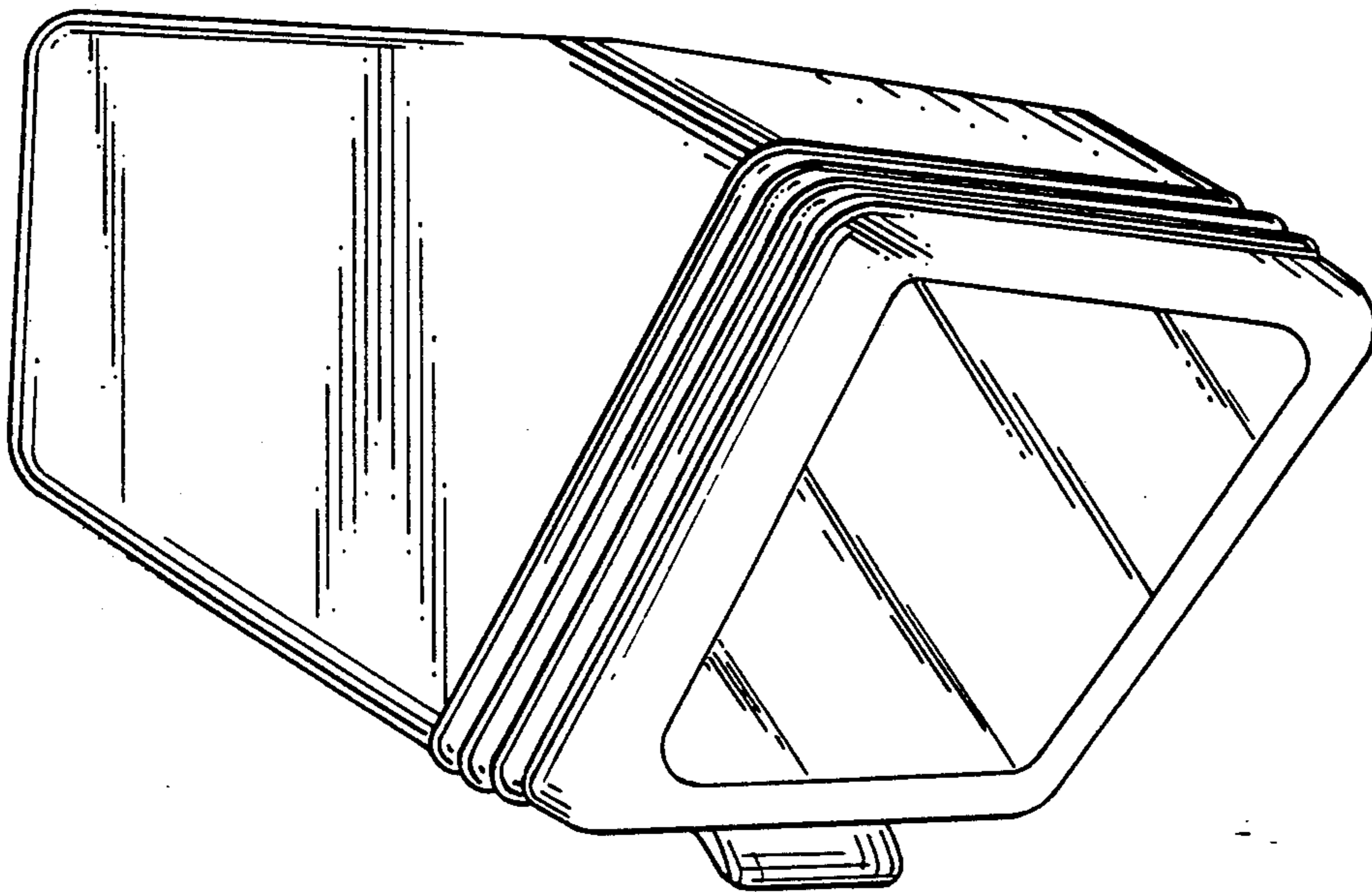


FIG. 1

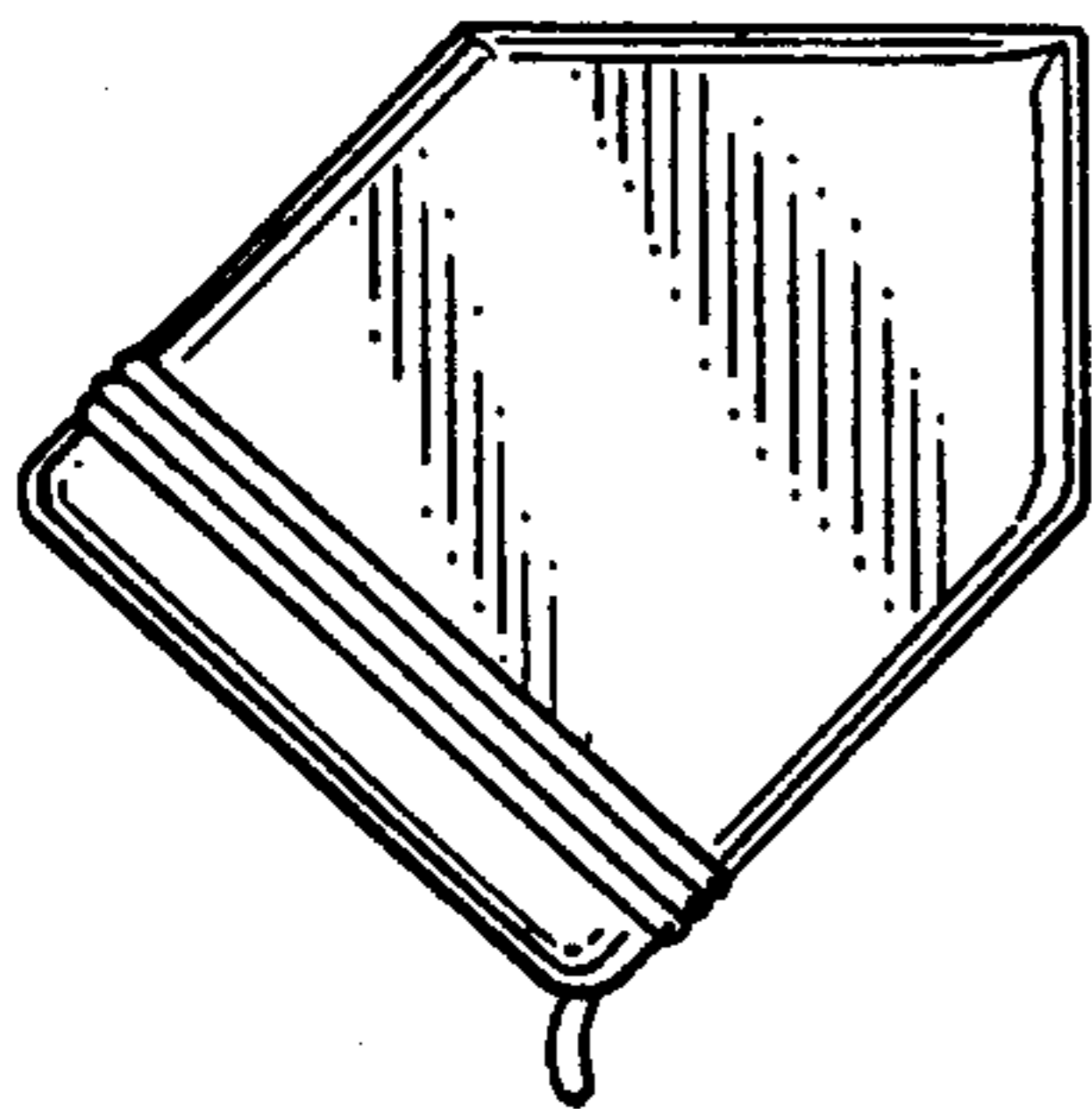


FIG. 3

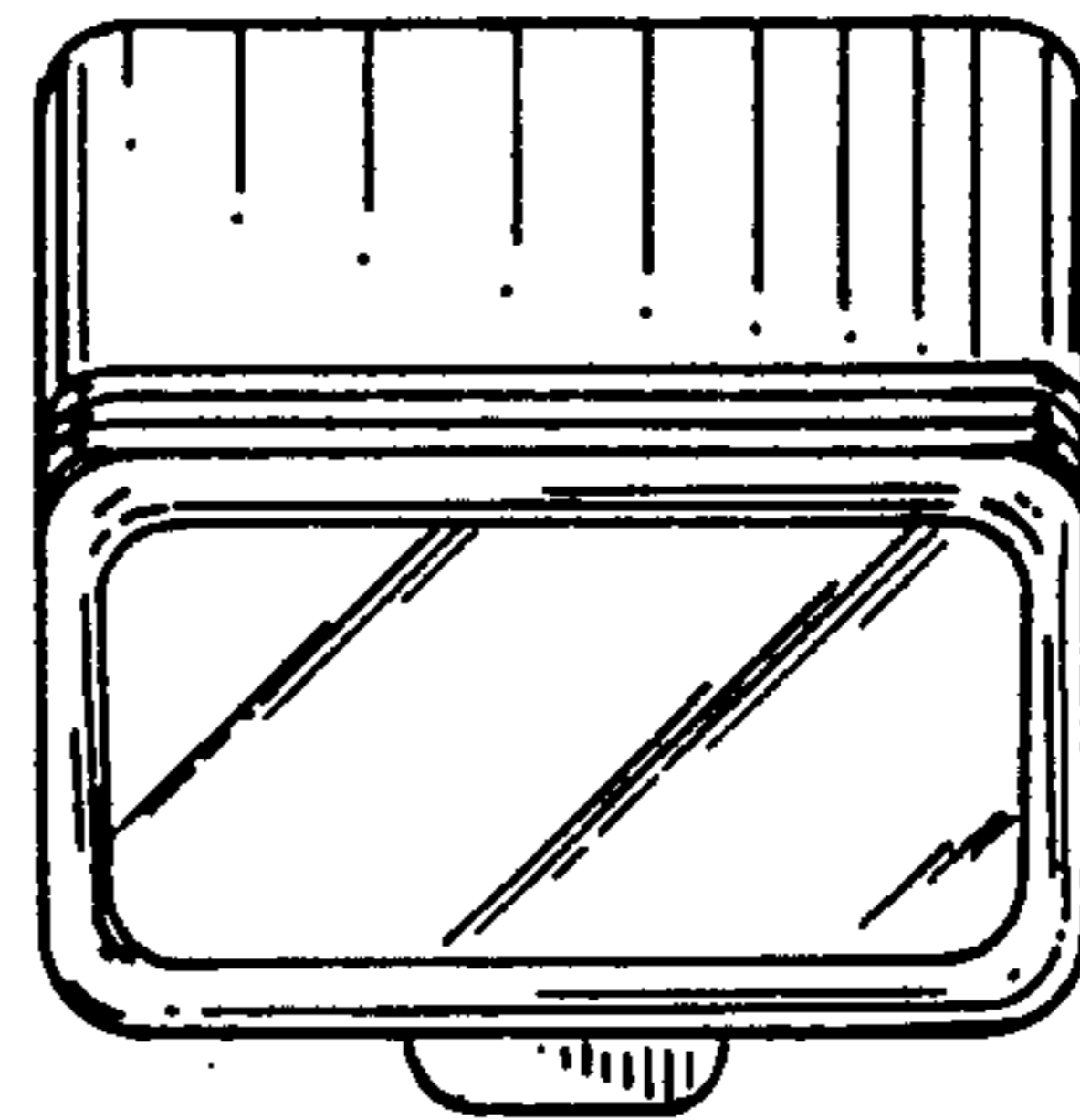


FIG. 5