



US00D333396S

United States Patent [19]
Hendrickson

[11] **Patent Number: Des. 333,396**
[45] **Date of Patent: ** Feb. 23, 1993**

[54] **HEAD REST**

[76] **Inventor: Pennie J. Hendrickson, 345 N. 16th #105, Saint Helens, Oreg. 97051-1360**

[**] **Term: 14 Years**

[21] **Appl. No.: 488,856**

[22] **Filed: Mar. 6, 1990**

[52] **U.S. Cl. D6/501**

[58] **Field of Search D6/501, 502; 297/391, 297/397**

555,860 3/1896 Hanger D6/501 X
4,193,631 3/1980 Hobley .
4,796,953 1/1989 Pereira .
4,863,218 9/1989 McCrackin 297/391

Primary Examiner—Alan P. Douglas
Assistant Examiner—Monica A. Hannon
Attorney, Agent, or Firm—Terry M. Gernstein

[57] **CLAIM**

The ornamental design for a head rest, as shown and described.

DESCRIPTION

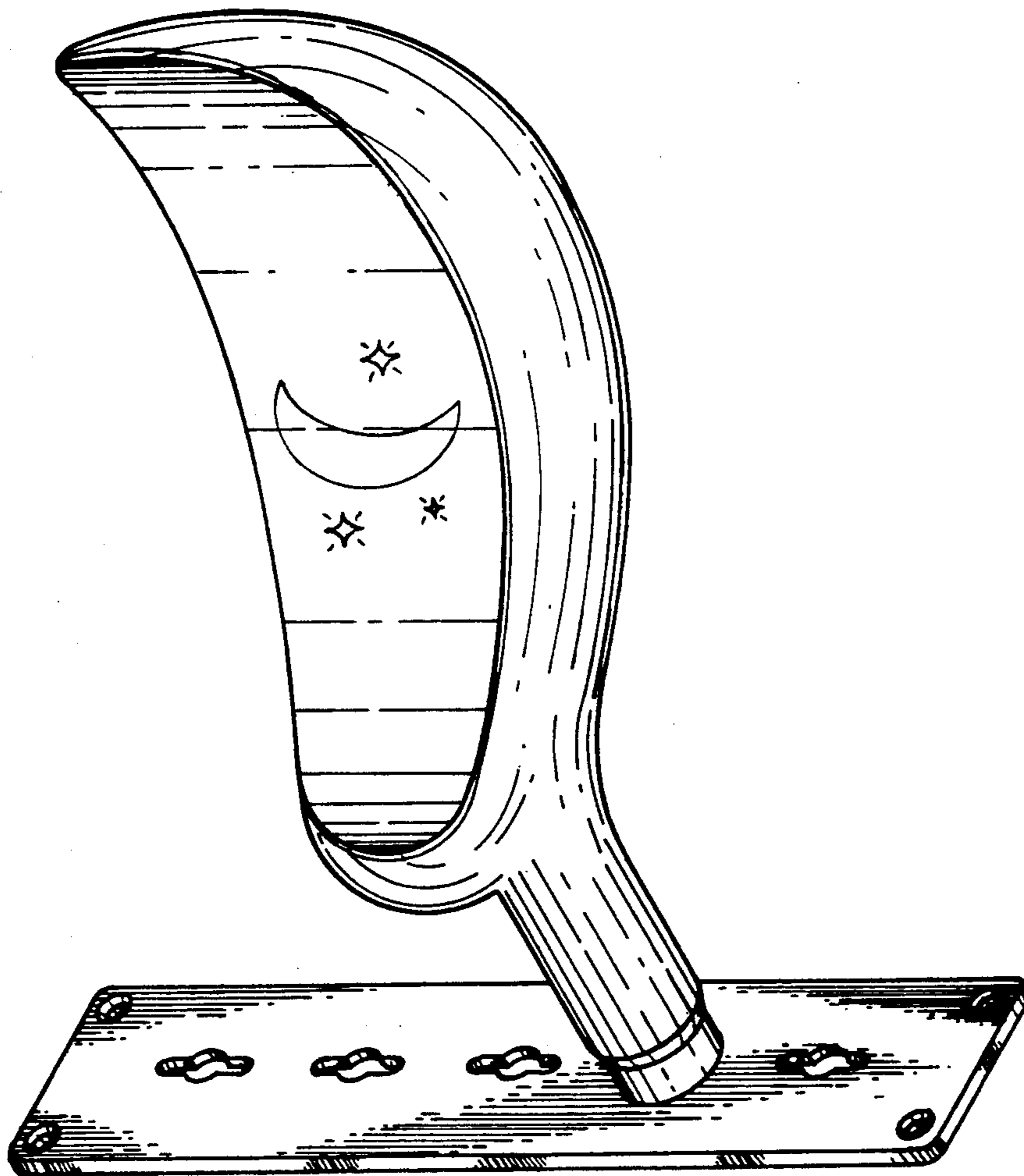
FIG. 1 is a perspective view of the head rest embodying the design for the present invention;
FIG. 2 is a front elevational view thereof;
FIG. 3 is a rear elevational view thereof;
FIG. 4 is a side elevational view thereof;
FIG. 5 is a side elevational view of the other side thereof;
FIG. 6 is a top plan view thereof; and,
FIG. 7 is a bottom plan view thereof.

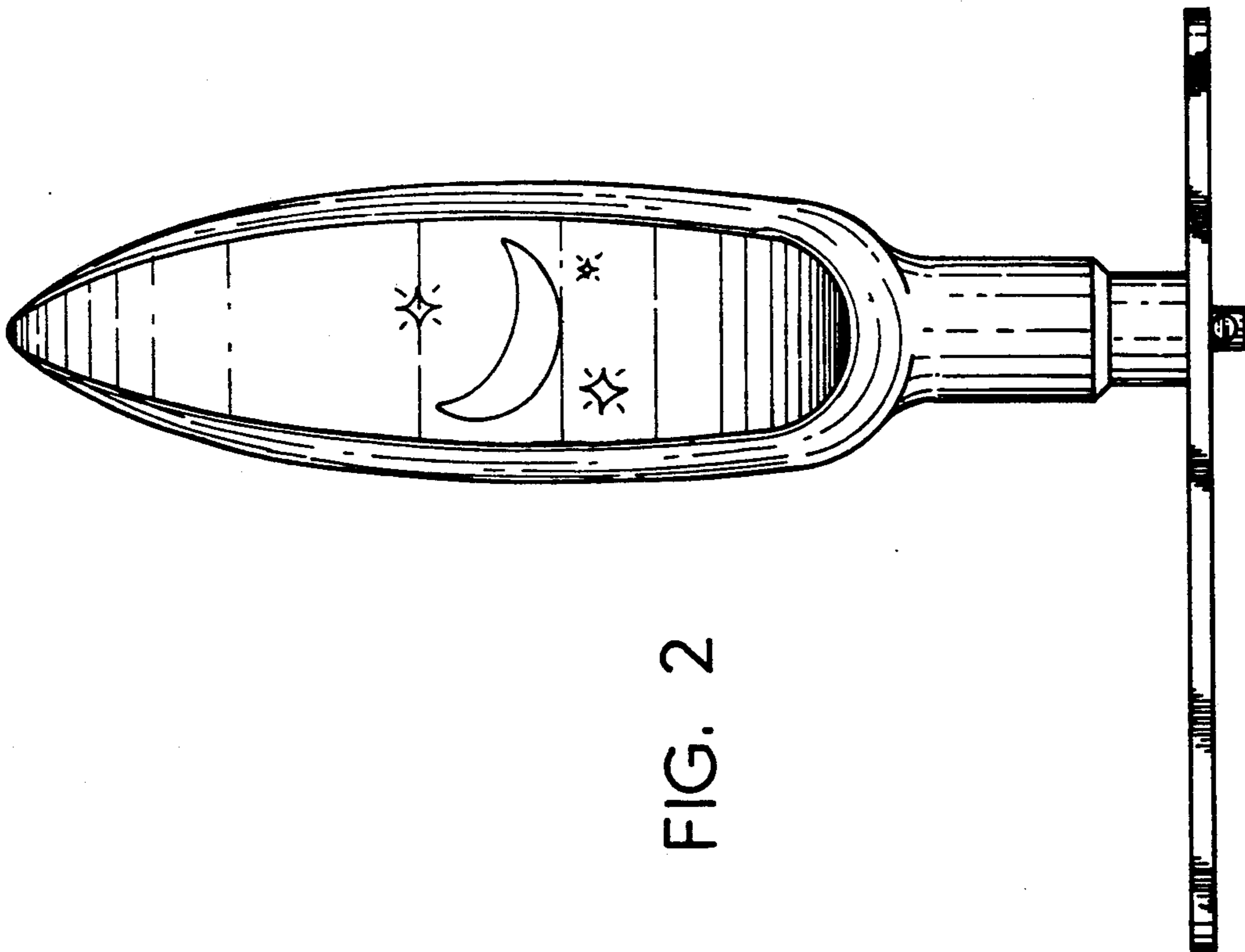
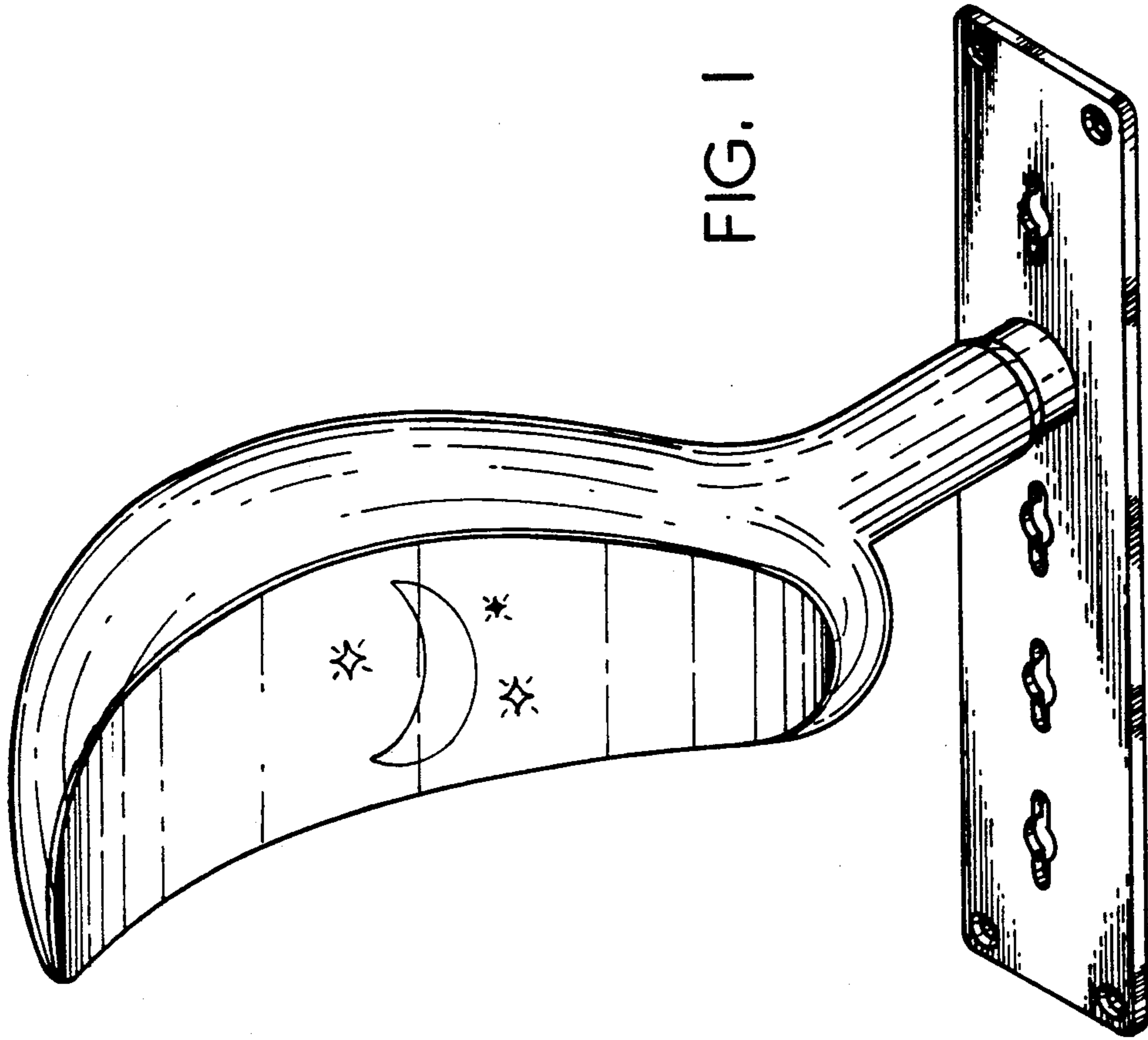
[56]

References Cited

U.S. PATENT DOCUMENTS

D. 234,996 4/1975 Ohta D6/502
D. 236,667 9/1975 Mascaro D6/502
D. 261,574 11/1981 Lovejoy D6/502
D. 262,850 2/1982 Price .
D. 300,620 4/1989 Cousens D6/502 X
D. 312,933 12/1990 Lloyd D6/502





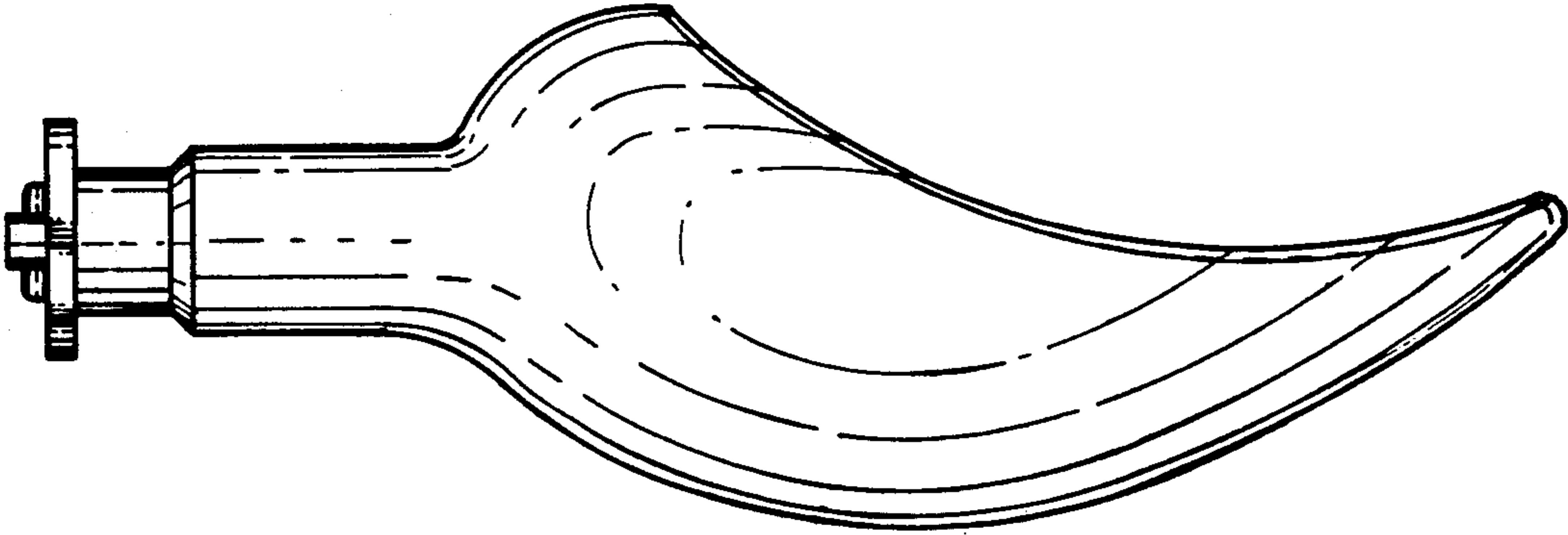


FIG. 4

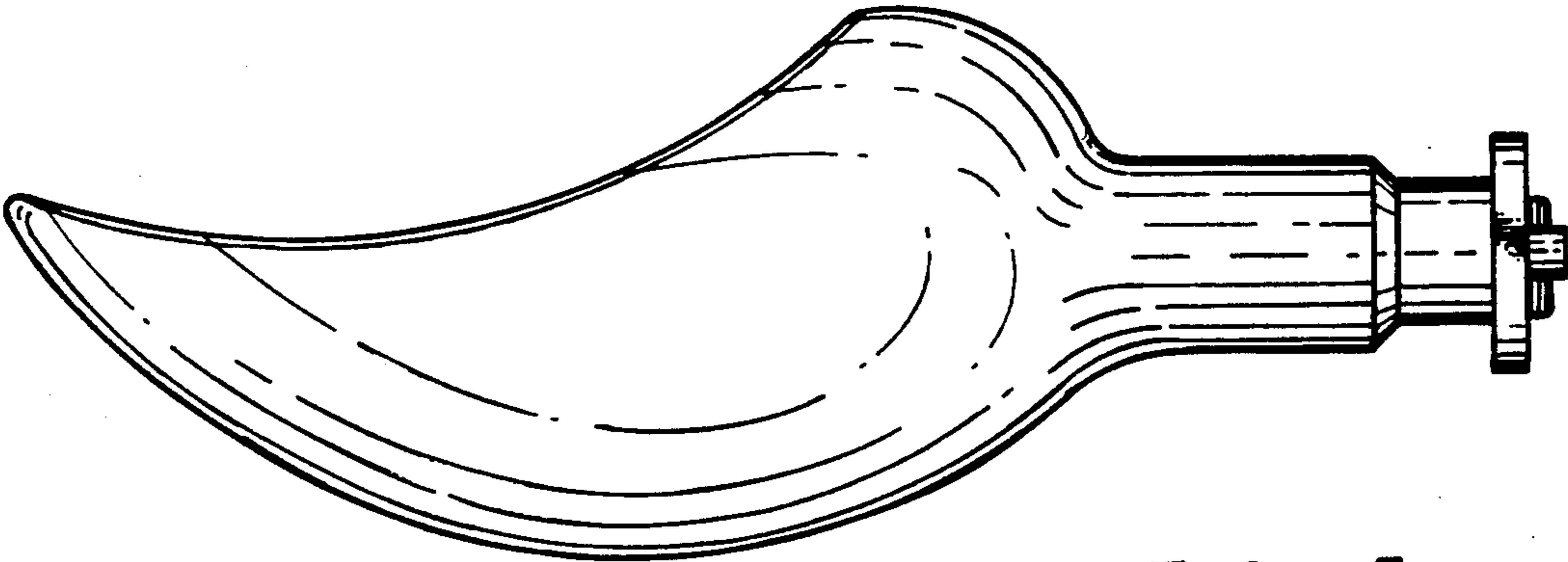


FIG. 5

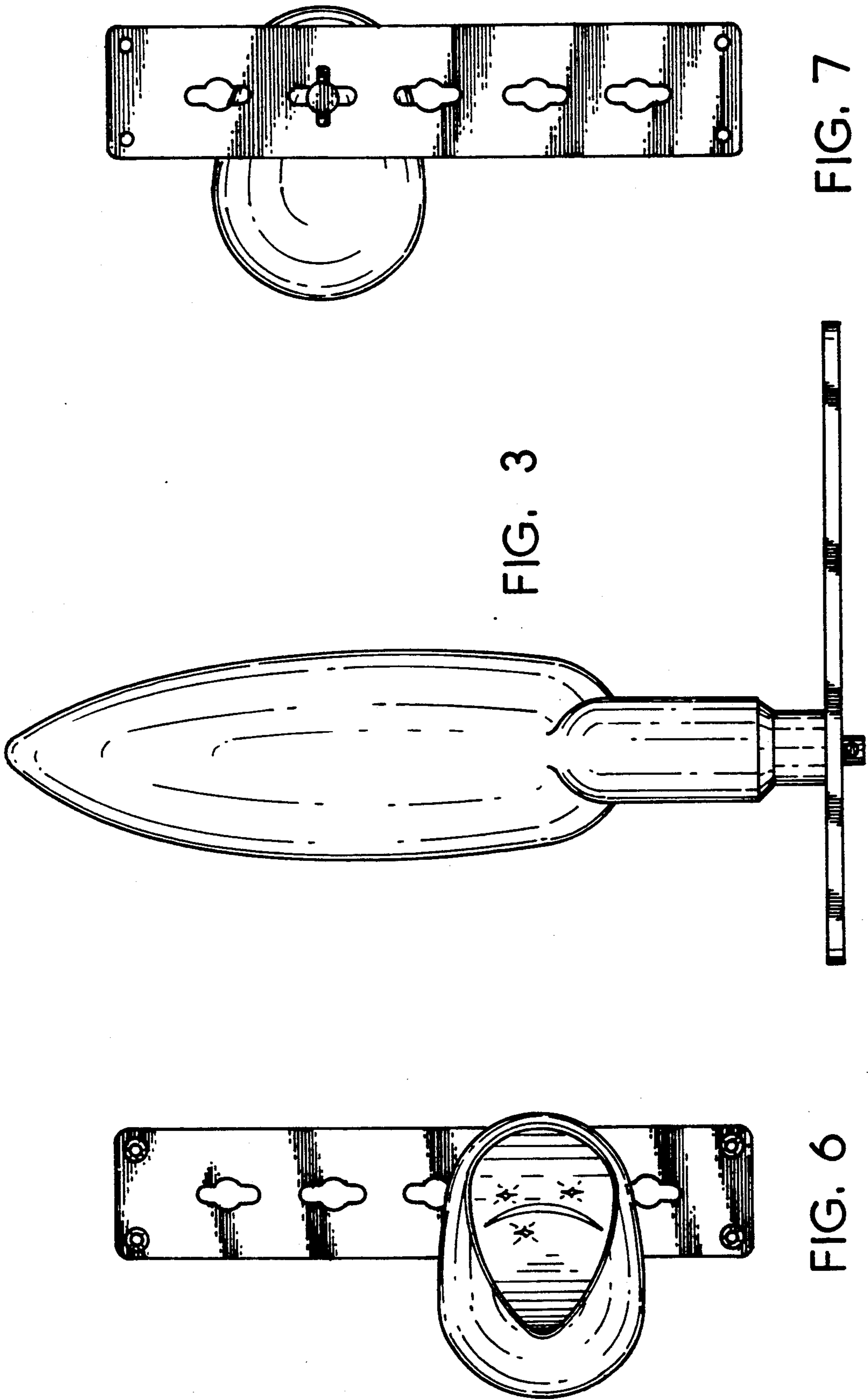


FIG. 3

FIG. 7

FIG. 6