



US00D333392S

United States Patent [19]

Cugley

[11] Patent Number: **Des. 333,392**

[45] Date of Patent: **** Feb. 23, 1993**

[54] **DISPLAY CABINET**

[75] Inventor: **Derwyn Cugley, Brea, Calif.**

[73] Assignee: **VSI Fasteners, Inc., Staton, Calif.**

[**] Term: **14 Years**

[21] Appl. No.: **518,647**

[22] Filed: **May 3, 1990**

[52] U.S. Cl. **D6/476; D6/446**

[58] Field of Search **D6/396, 397, 432, 436, D6/446, 448, 449, 468, 467, 474, 475, 476, 469, 477-478; 221/34; 211/13, 126, 128; 312/330 R, 107; D19/92**

[56] **References Cited**

U.S. PATENT DOCUMENTS

D. 153,188	3/1949	Stensgaard	D6/474
D. 242,335	11/1976	Cooper et al.	D6/478 X
D. 274,489	7/1984	Devries et al.	D6/476
D. 281,748	12/1985	Küski	D6/446
D. 286,122	10/1986	Golias	D6/469 X
D. 286,714	11/1986	Verholt	D6/446
D. 291,166	8/1987	Morris	D6/476
D. 297,082	8/1988	Binder et al.	D6/476 X
D. 301,665	6/1989	Suttles	D6/474 X
593,003	11/1897	Umhoefer	221/34

D. 678,933 7/1901 Blades 221/34

OTHER PUBLICATIONS

Global Equip. Co., ©1974, p. 13, Item 146025 and Other in middle third of page.

Global Industrial Equip. ©1988, p. 56, Item 600107.

Global Industrial Equip, ©1938, p. 49, item at top right.

Primary Examiner—Carmen H. Vales-Lado

Assistant Examiner—Jeffrey Asch

Attorney, Agent, or Firm—Frederick Gotha

[57] **CLAIM**

The ornamental design for a display cabinet, as shown and described.

DESCRIPTION

FIG. 1 is a perspective view of a display cabinet showing my new design;

FIG. 2 is a front elevational view thereof;

FIG. 3 is a left side elevational view thereof.

FIG. 4 is a right elevational view thereof;

FIG. 5 is a top plan view thereof;

FIG. 6 is a bottom plan view thereof; and,

FIG. 7 is a rear elevational view thereof.

FIGS. 2-7 have been shown on an enlarged scale with respect to FIG. 1.

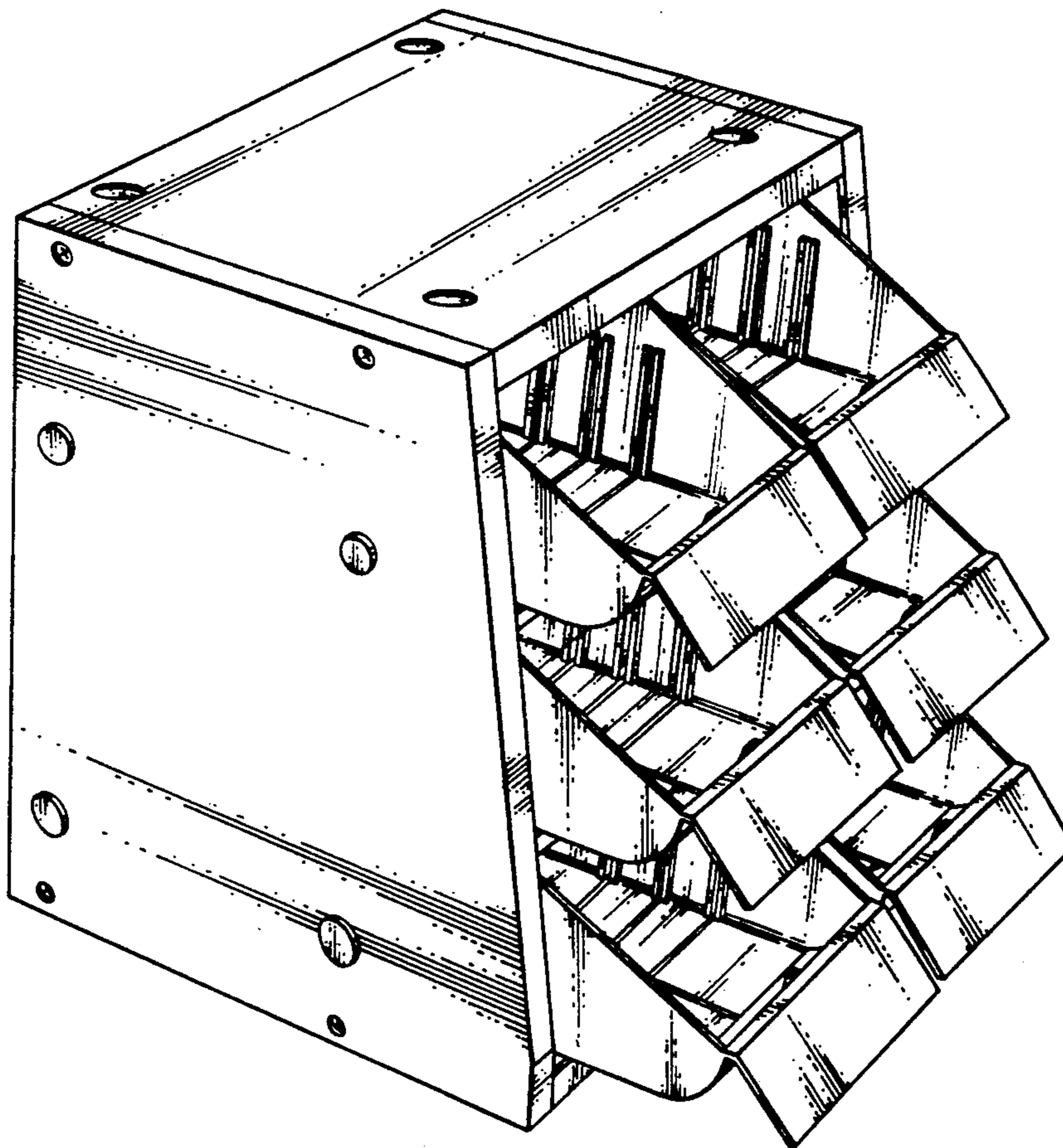


Fig. 1

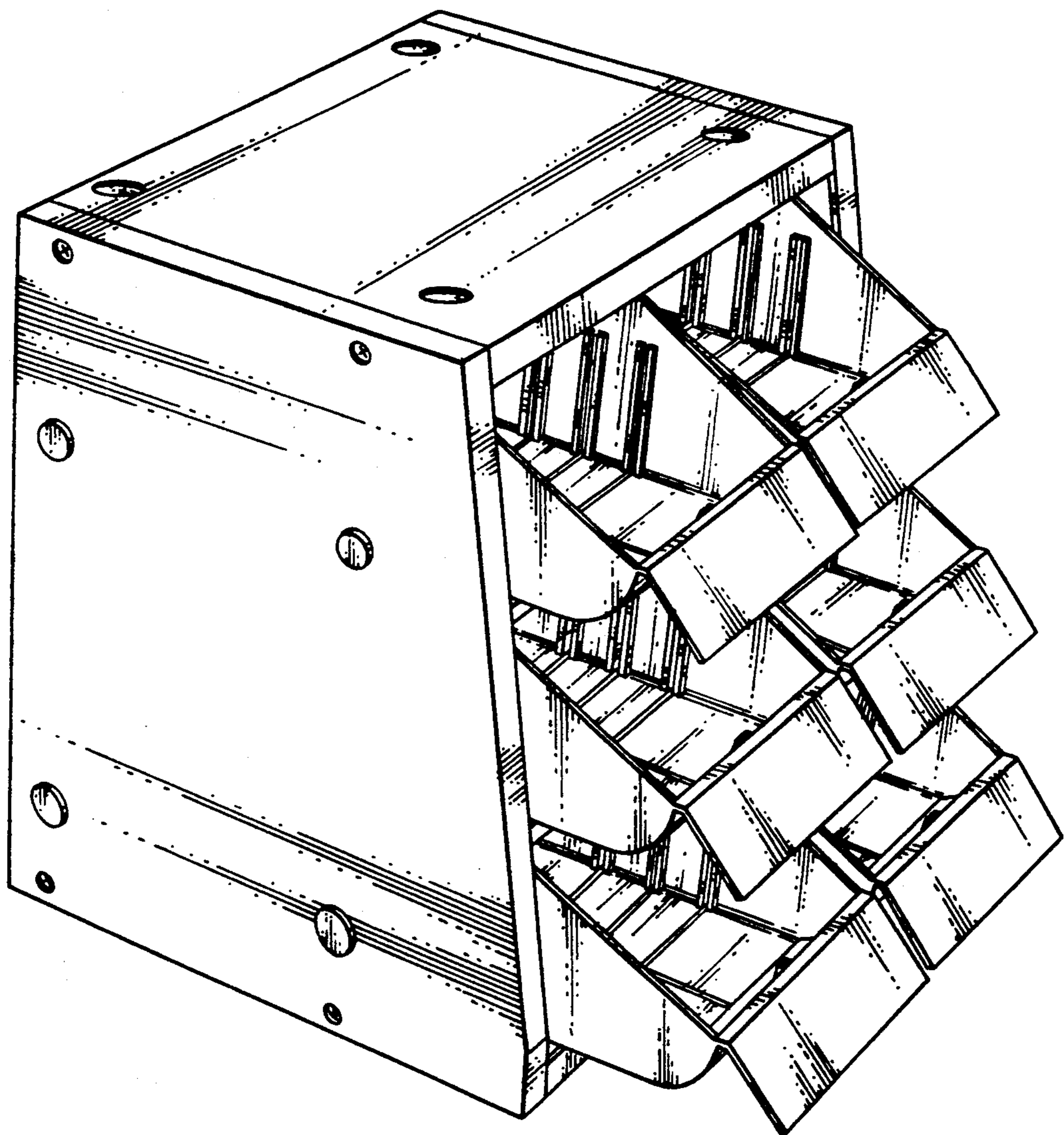


Fig. 2

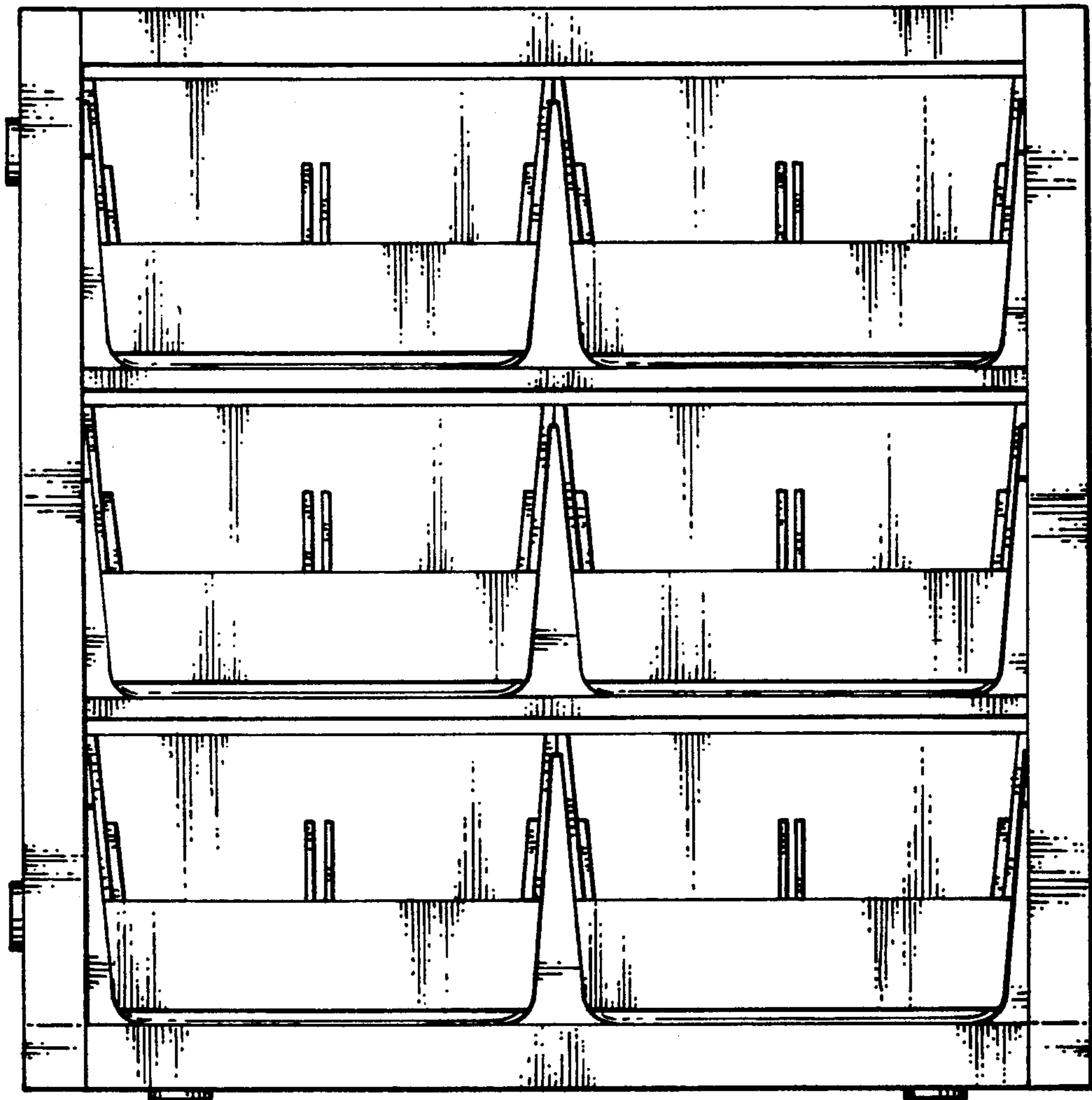


Fig. 3

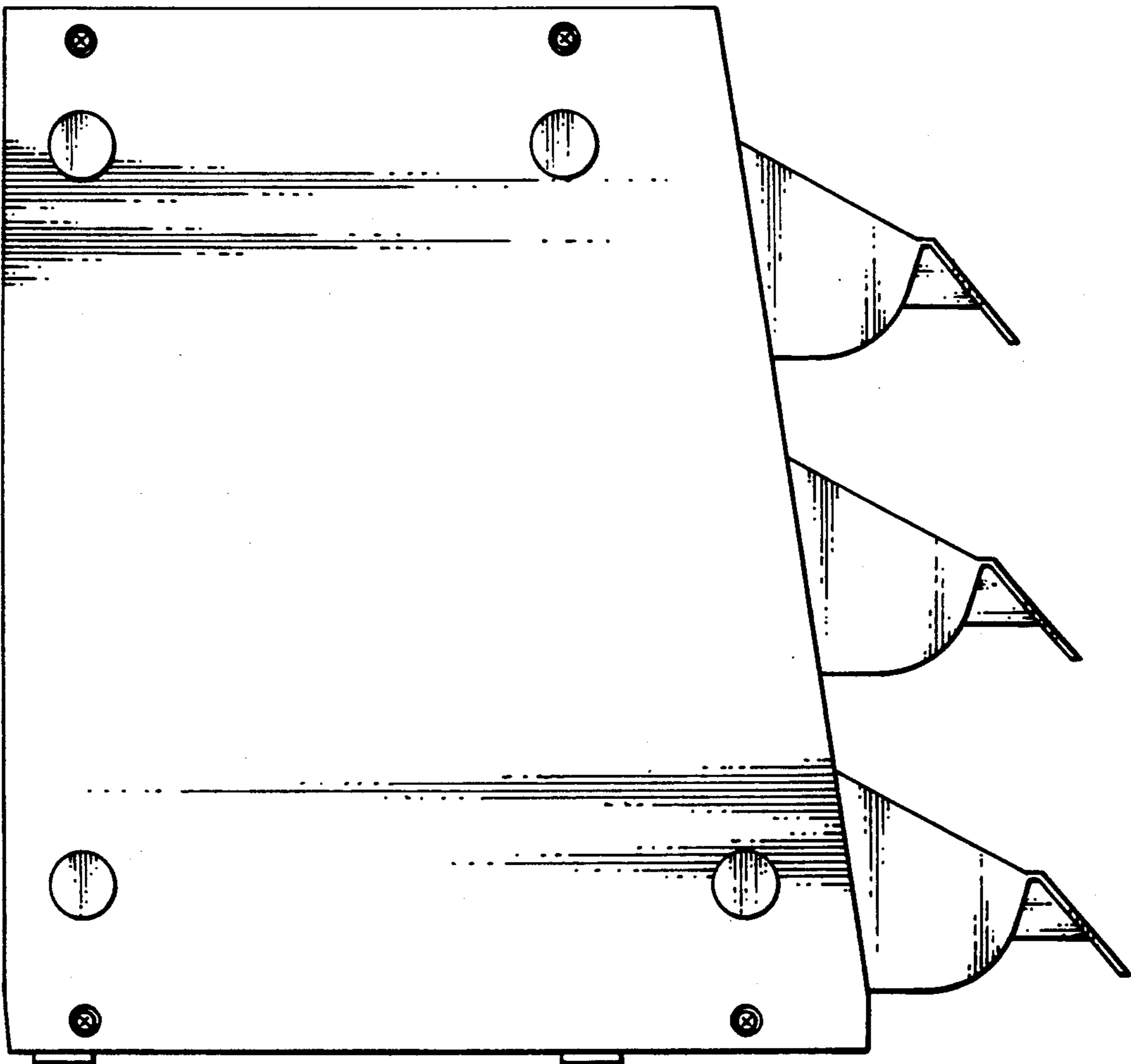


Fig. A

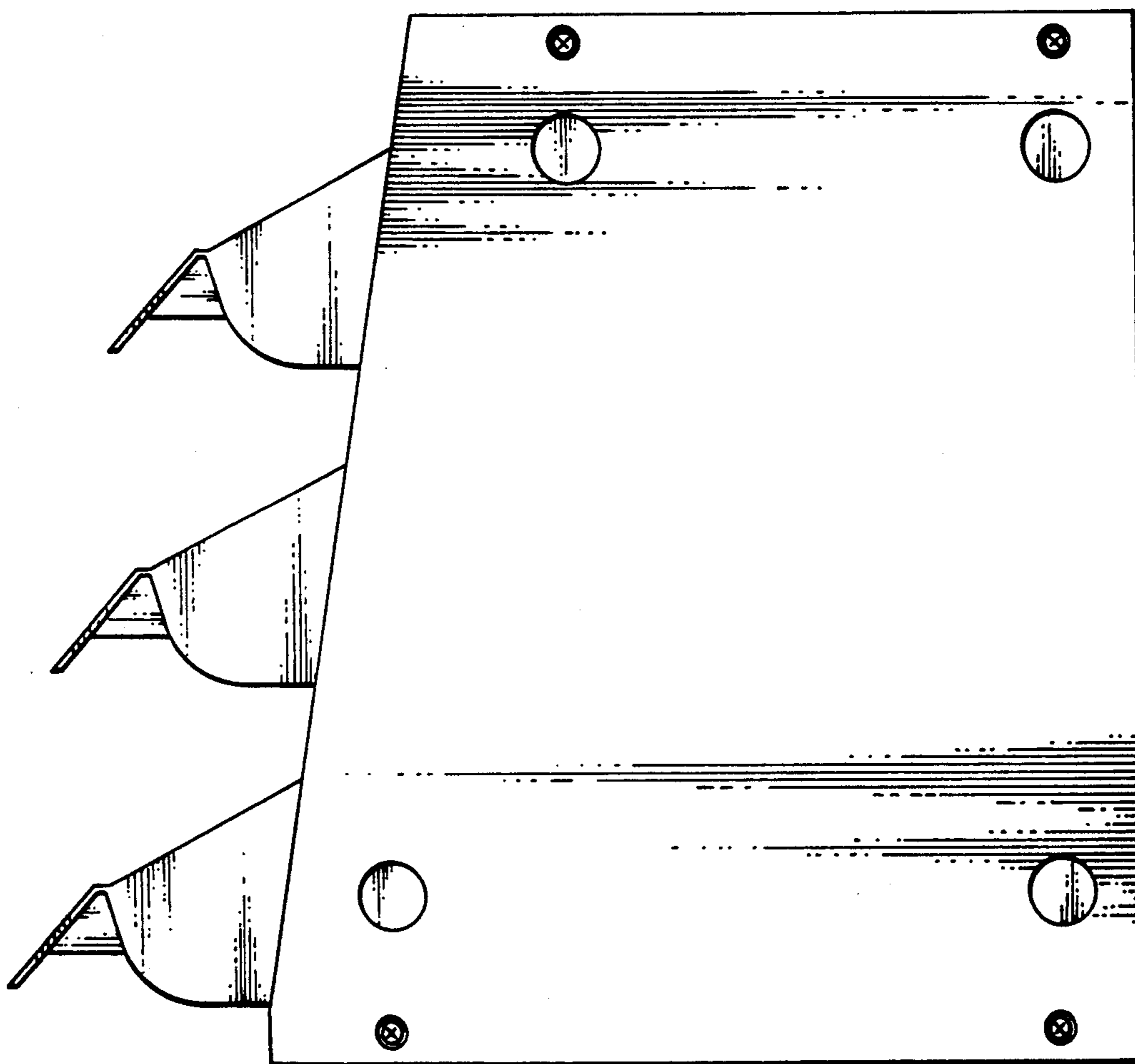


Fig. 5

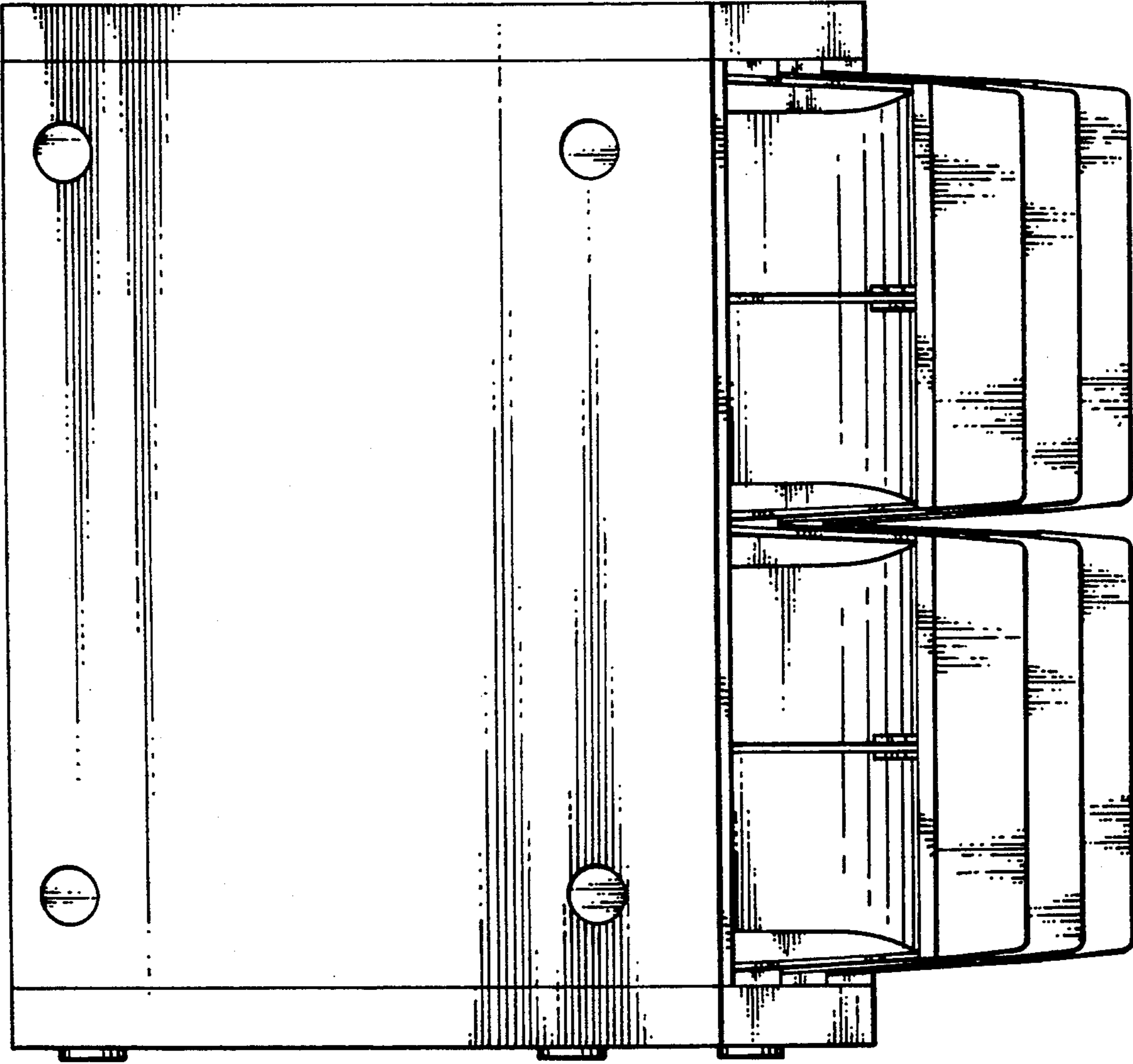


Fig. 6

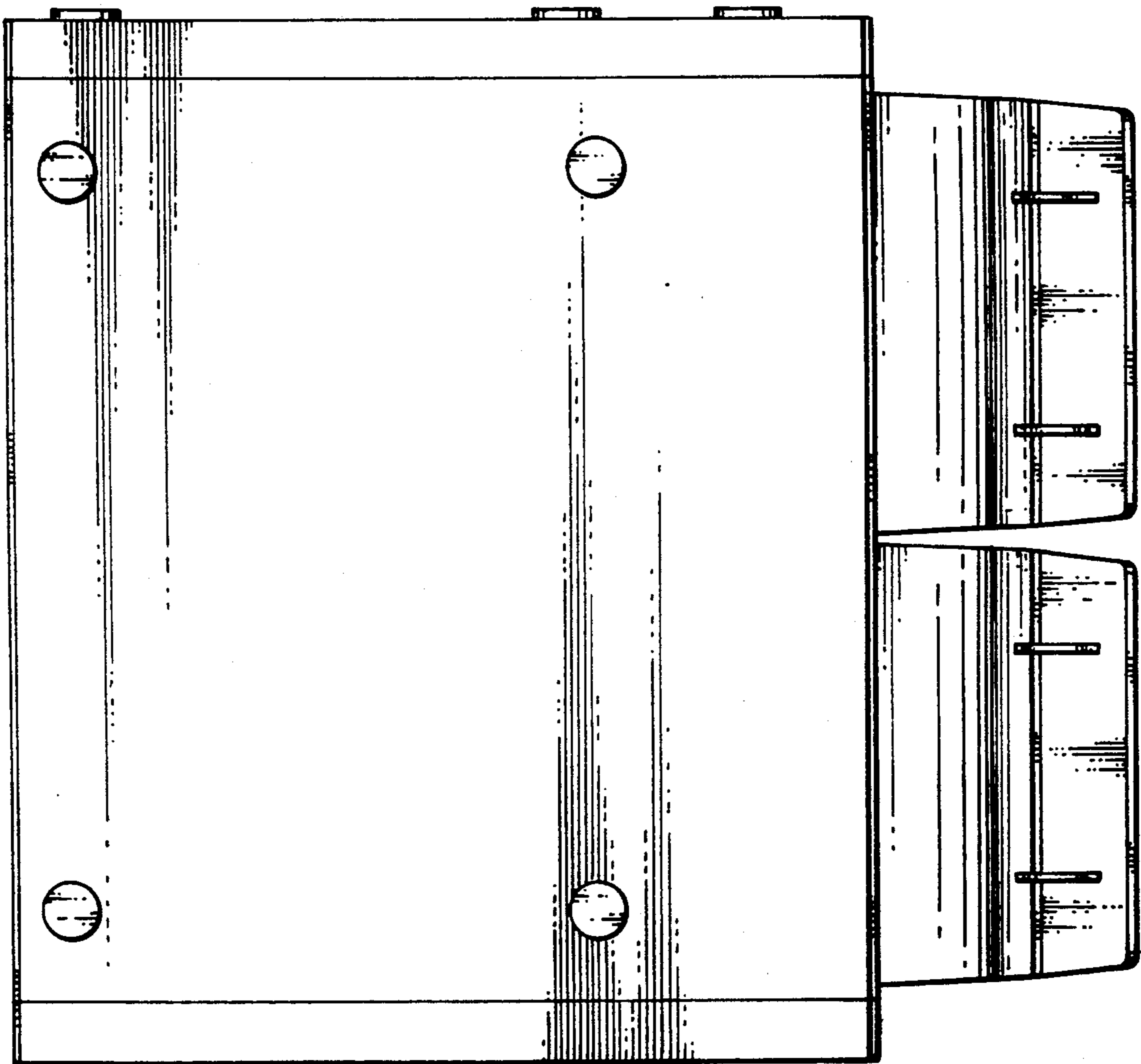


Fig. 7

