



US00D333386S

United States Patent [19]

[11] Patent Number: **Des. 333,386**

Kahl

[45] Date of Patent: **** Feb. 23, 1993**

[54] PICNIC BASKET

[75] Inventor: **W. Henry Kahl, Wooster, Ohio**

[73] Assignee: **Rubbermaid Incorporated, Wooster, Ohio**

[**] Term: **14 Years**

[21] Appl. No.: **549,722**

[22] Filed: **Jul. 9, 1990**

[52] U.S. Cl. **D3/79; D7/627**

[58] Field of Search **D3/74, 76, 78, 79; 220/338, 337; 190/117, 12, 12 A, 12 R; 312/244, 266; D7/627, 606**

[56] **References Cited**

U.S. PATENT DOCUMENTS

| | | | | |
|------------|---------|--------------|-------|----------|
| D. 104,653 | 5/1937 | Connor | | D7/627 |
| D. 104,886 | 6/1937 | Shuttleworth | | D7/626 |
| D. 193,909 | 10/1962 | Bloch | | D7/627 |
| D. 211,859 | 8/1968 | Tishuk | . | |
| D. 234,616 | 3/1975 | Meyers | | D7/626 X |
| D. 247,152 | 2/1978 | Rayfield | | D7/606 |
| D. 283,966 | 5/1986 | Carlson | | D7/626 |
| 2,340,766 | 2/1944 | Perez | | 190/12 R |

OTHER PUBLICATIONS

Label, Igloo Products Corp., 101 West Belt Drive, P.O.

Box 19322, Houston, Tex., 77224-09322, publication date 1988.

P. 11, Gio Style, Via Private Cascia, 8, 20128, Milan, Italy, publication date 1988.

Primary Examiner—A. Hugo Word

Assistant Examiner—Paula A. Mortimer

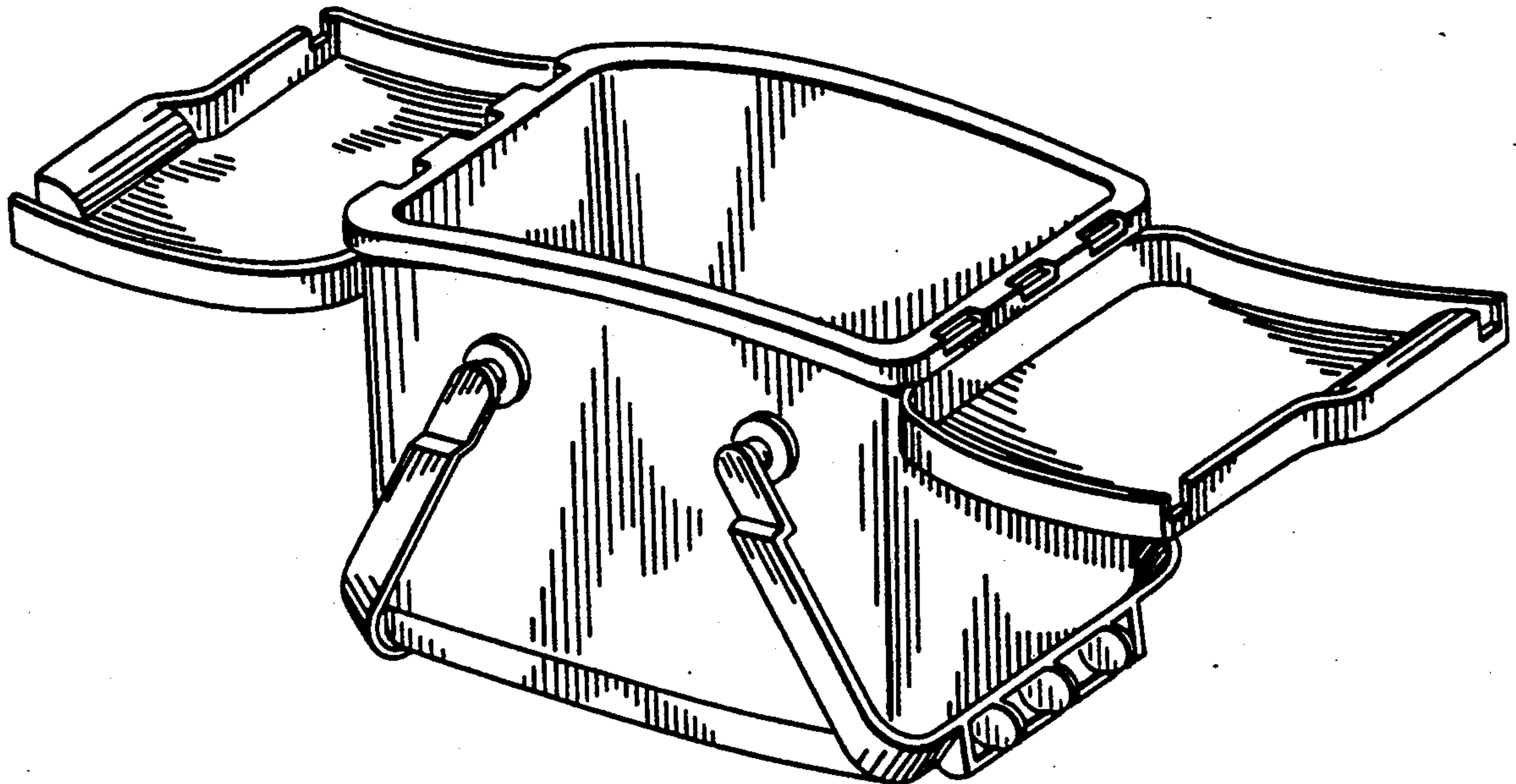
Attorney, Agent, or Firm—Richard B. O'Planick

[57] **CLAIM**

The ornamental design for a picnic basket, as shown and described.

DESCRIPTION

FIG. 1 is a front perspective view of a picnic basket with the lid in an open position showing my new design, the opposite side is a mirror image of the side shown; FIG. 2 is a front perspective view thereof with the lid in a closed position; FIG. 3 is a top plan view thereof; FIG. 4 is a bottom plan view thereof; FIG. 5 is a side elevational view thereof, the opposite side is a mirror image of the side shown; FIG. 6 is a front elevational view thereof; the rear elevational view being a mirror image; and, FIG. 7 is a front perspective view of a second embodiment of a picnic basket showing my new design, the rear and other side of FIG. 7 is like the front and side shown.



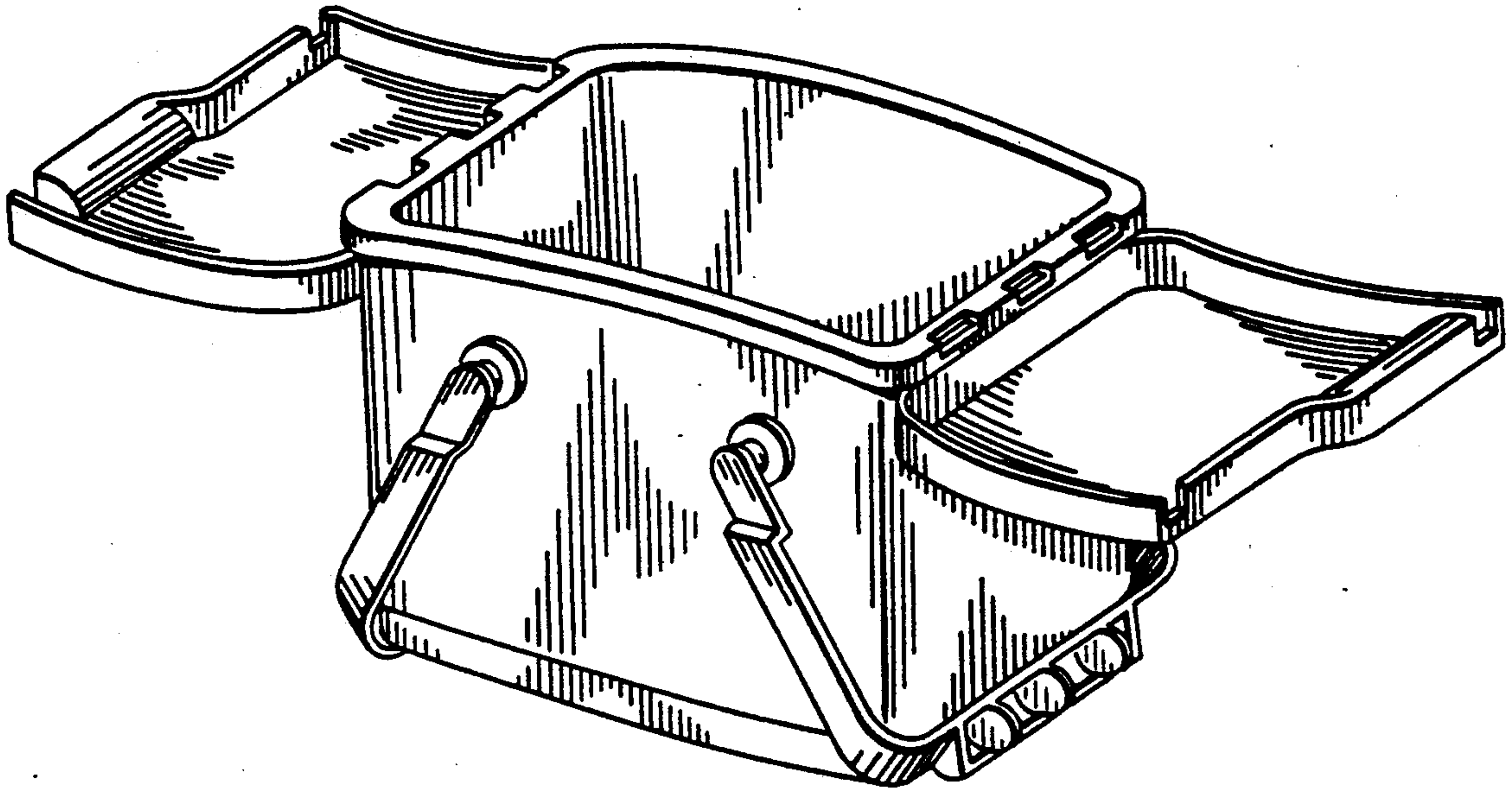


FIG. 1

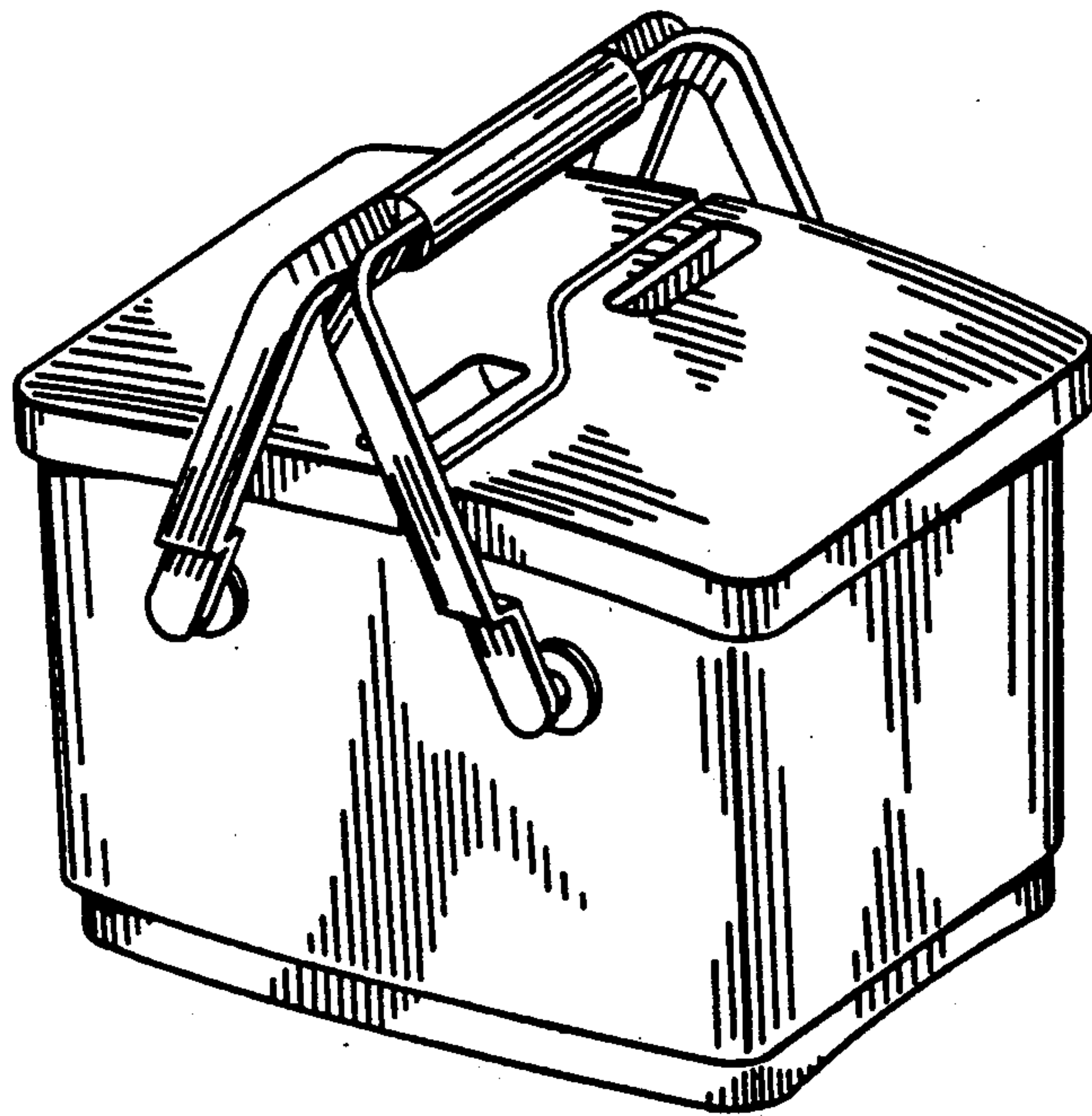


FIG. 2

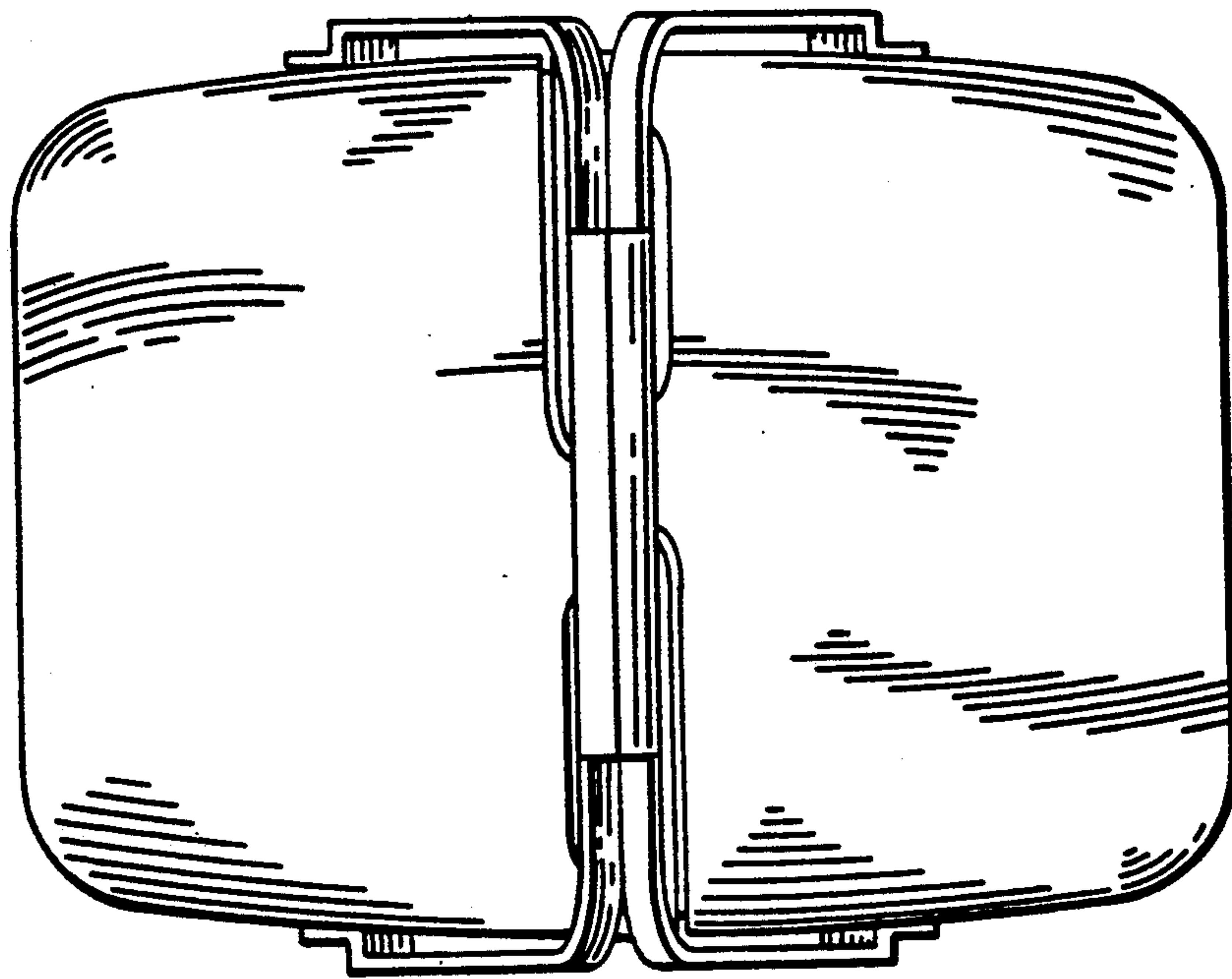


FIG. 3

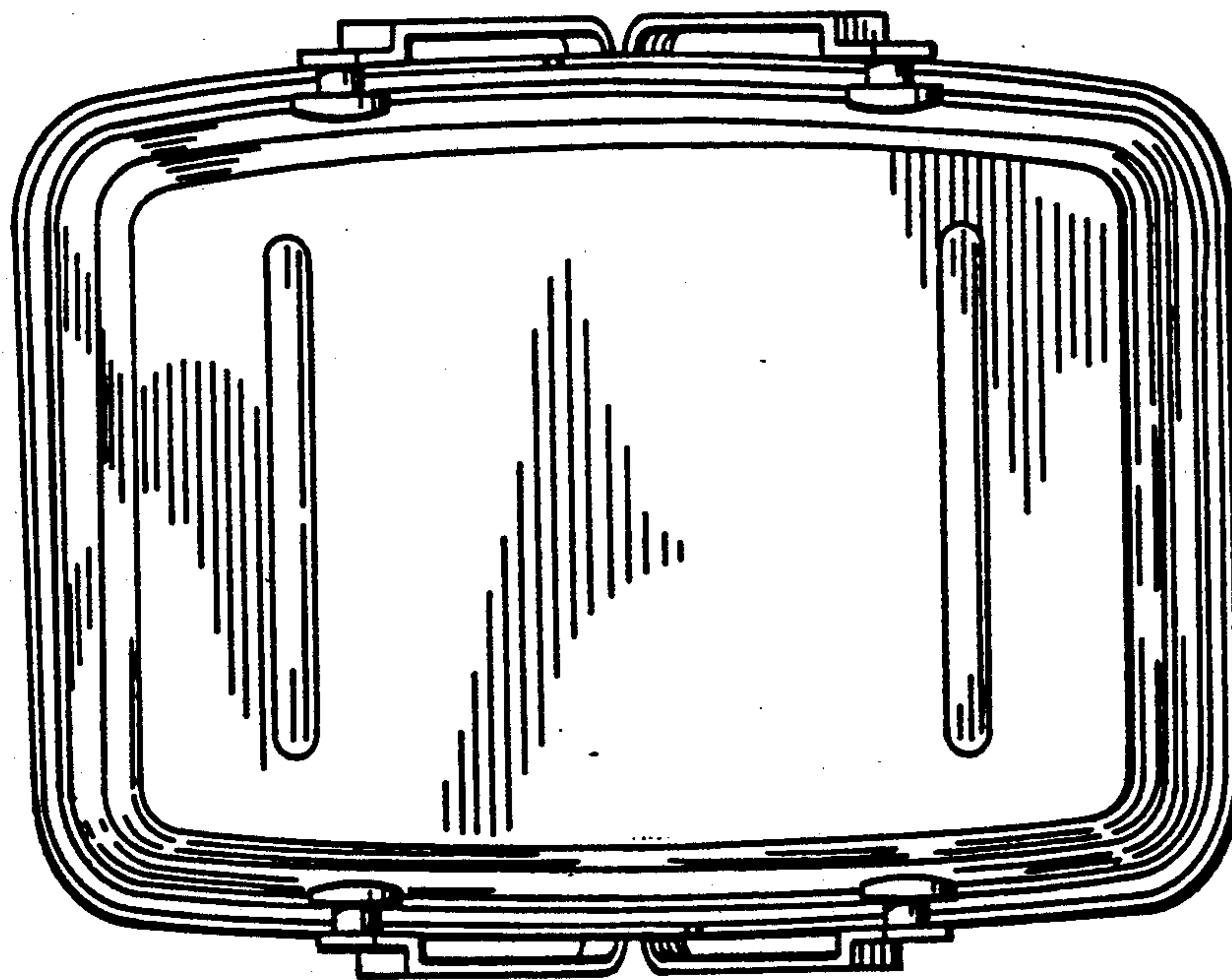


FIG. 4

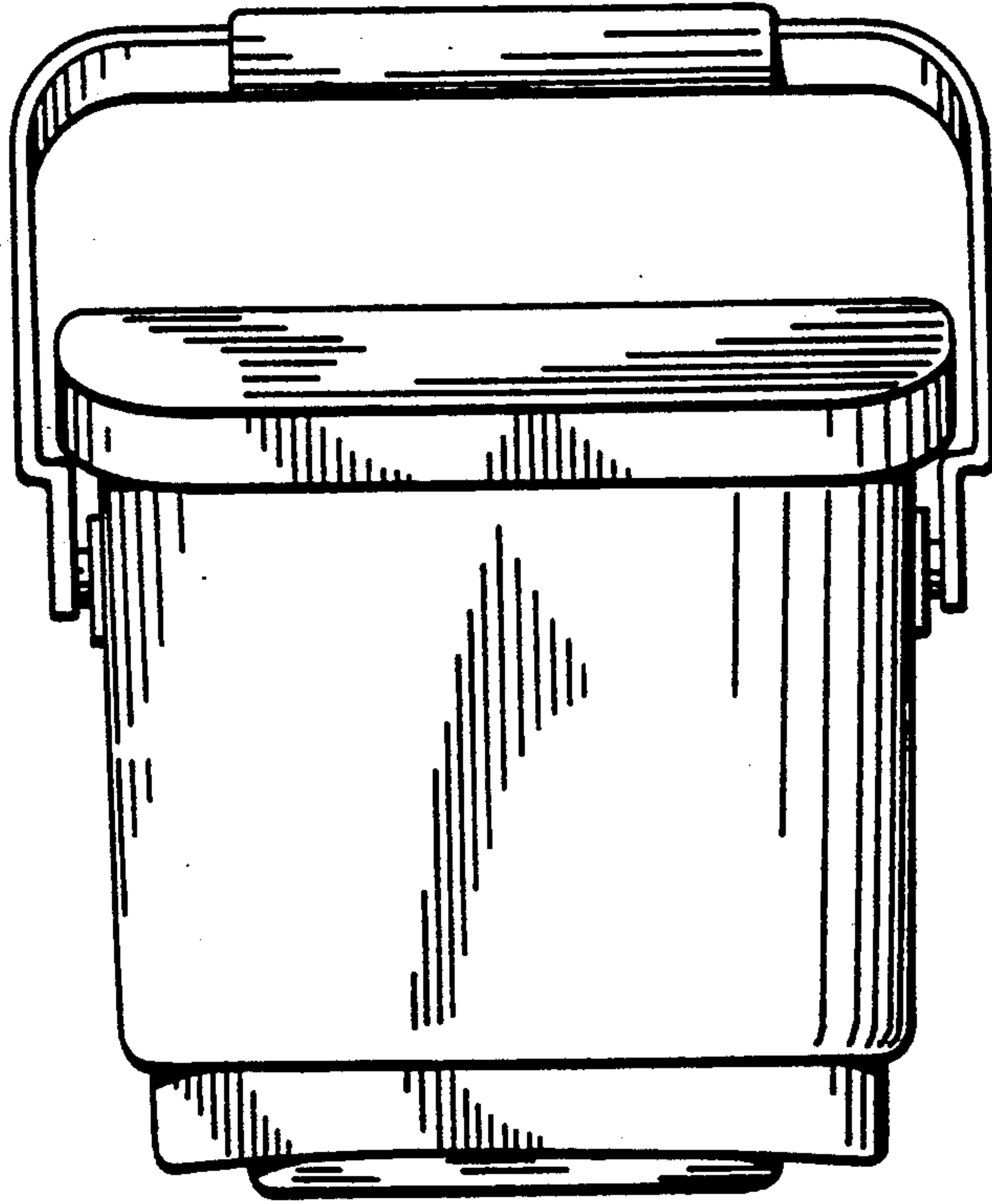


FIG. 5

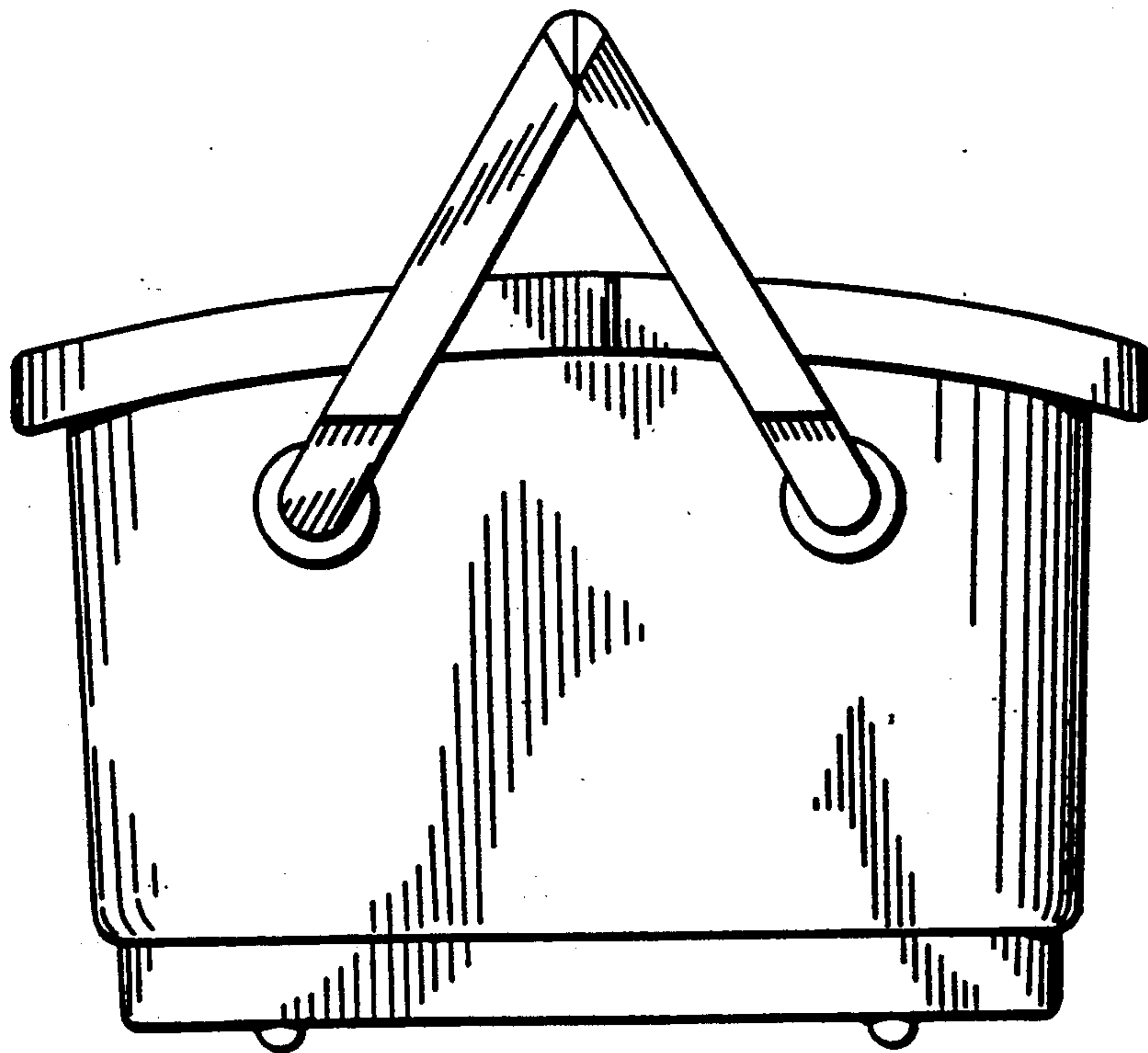


FIG. 6

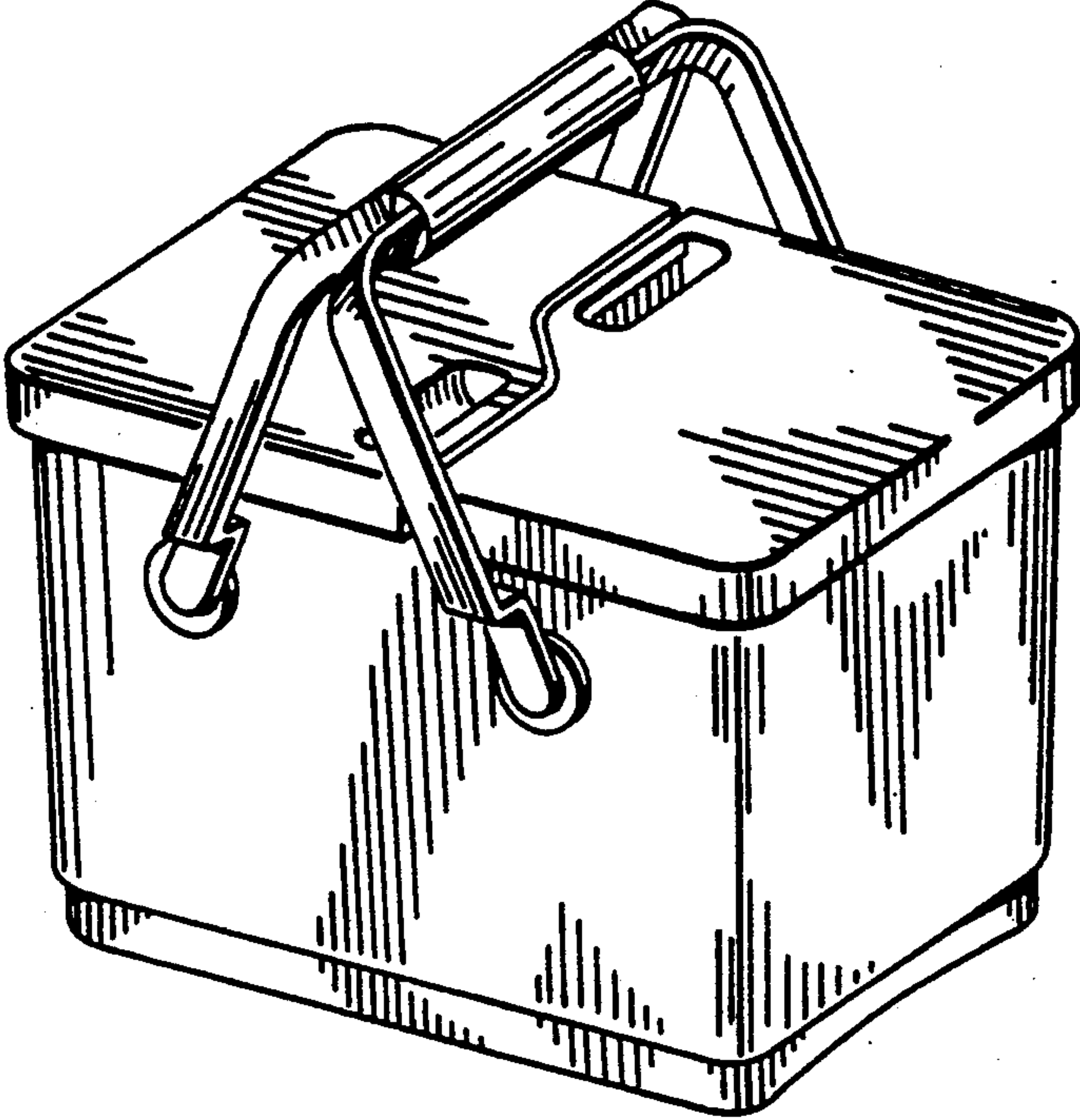


FIG. 7