



US00D333385S

United States Patent [19]

[11] Patent Number: **Des. 333,385**

Schmid

[45] Date of Patent: **** Feb. 23, 1993**

- [54] STORAGE CASE FOR SOLAR POWERED HEARING AIDS
- [75] Inventor: **Guenther W. Schmid, Syracuse, N.Y.**
- [73] Assignee: **Solar Aid Corporation, Syracuse, N.Y.**
- [**] Term: **14 Years**
- [21] Appl. No.: **621,726**
- [22] Filed: **Dec. 3, 1990**
- [52] U.S. Cl. **D3/78**
- [58] Field of Search **D3/78, 39, 74, 30.1; 220/4.24, DIG. 26, 326; D28/78, 91, 99, 82; 206/235, 351, 314, 581, 528, 531; 132/315, 293; 128/78, 91, 99; D9/420, 423**

[56] **References Cited**

U.S. PATENT DOCUMENTS

| | | | | |
|------------|---------|----------------|-------|-----------|
| D. 153,150 | 3/1949 | Hull | | D24/174 |
| D. 153,576 | 5/1949 | Bland | | D24/174 |
| D. 233,078 | 10/1974 | Mullins | | D3/39 |
| D. 287,906 | 1/1987 | Tsuji et al. | | D3/30.1 X |
| D. 288,983 | 3/1987 | Juhas et al. | | D3/30.1 X |
| 2,055,389 | 9/1936 | Rosenberg | | 206/235 X |
| 2,408,966 | 10/1946 | Brede | | D24/174 X |
| 3,294,222 | 12/1966 | Hodgson | | D3/74 X |
| 4,817,819 | 4/1989 | Kelly | | 206/531 X |
| 4,905,866 | 3/1990 | Bartell et al. | | 206/531 X |

Primary Examiner—Louis S. Zarfes

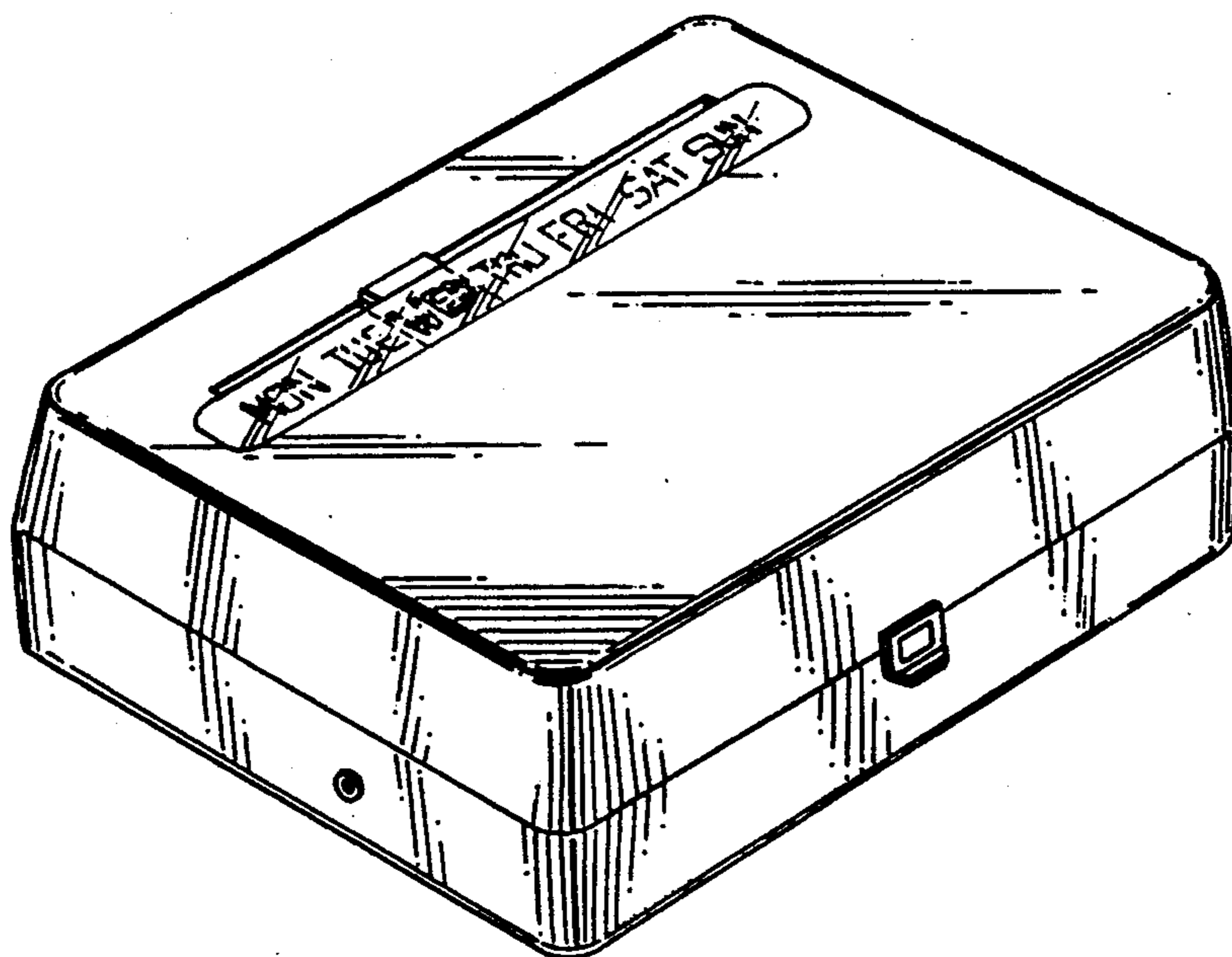
Assistant Examiner—Paula A. Mortimer
Attorney, Agent, or Firm—Wall and Roehrig

[57] **CLAIM**

The ornamental design for a storage case for solar powered hearing aids, as shown and described.

DESCRIPTION

FIG. 1 is a front perspective view of a storage case for solar powered hearing aids, showing my new design, in a closed position;
 FIG. 2 is a side elevation view thereof;
 FIG. 3 is an opposite side elevational view thereof;
 FIG. 4 is a front elevational view thereof;
 FIG. 5 is a rear elevational view thereof;
 FIG. 6 is a top plan view thereof;
 FIG. 7 is a bottom plan view thereof;
 FIG. 8 is a front perspective view in an open position;
 FIG. 9 is a side elevational view in an open position thereof;
 FIG. 10 is an opposite side elevational view in an open position thereof;
 FIG. 11 is a front elevational view in an open position thereof;
 FIG. 12 is a rear elevational view in an open position thereof;
 FIG. 13 is a top plan view in an open position thereof; and,
 FIG. 14 is a bottom plan view in an open position thereof.



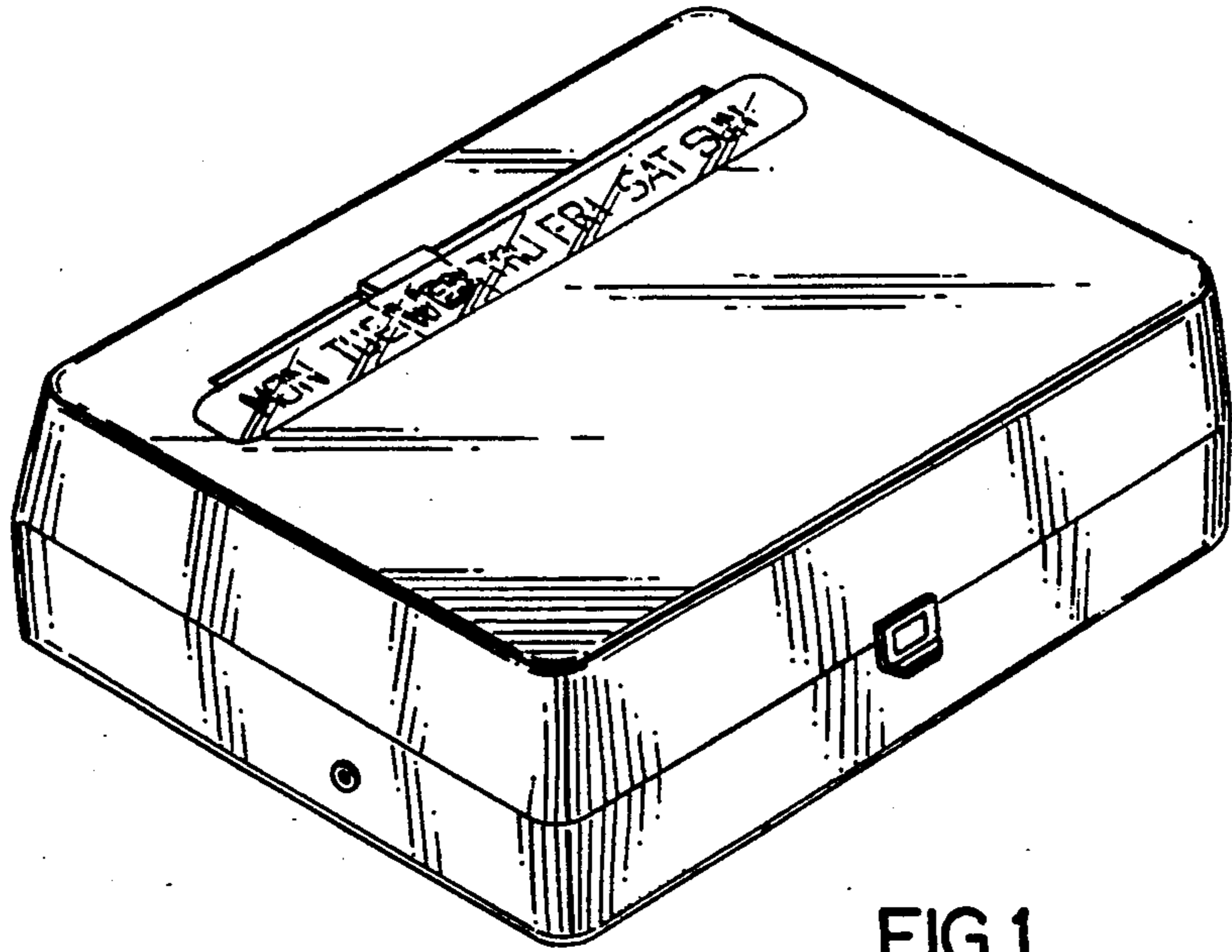


FIG. 1

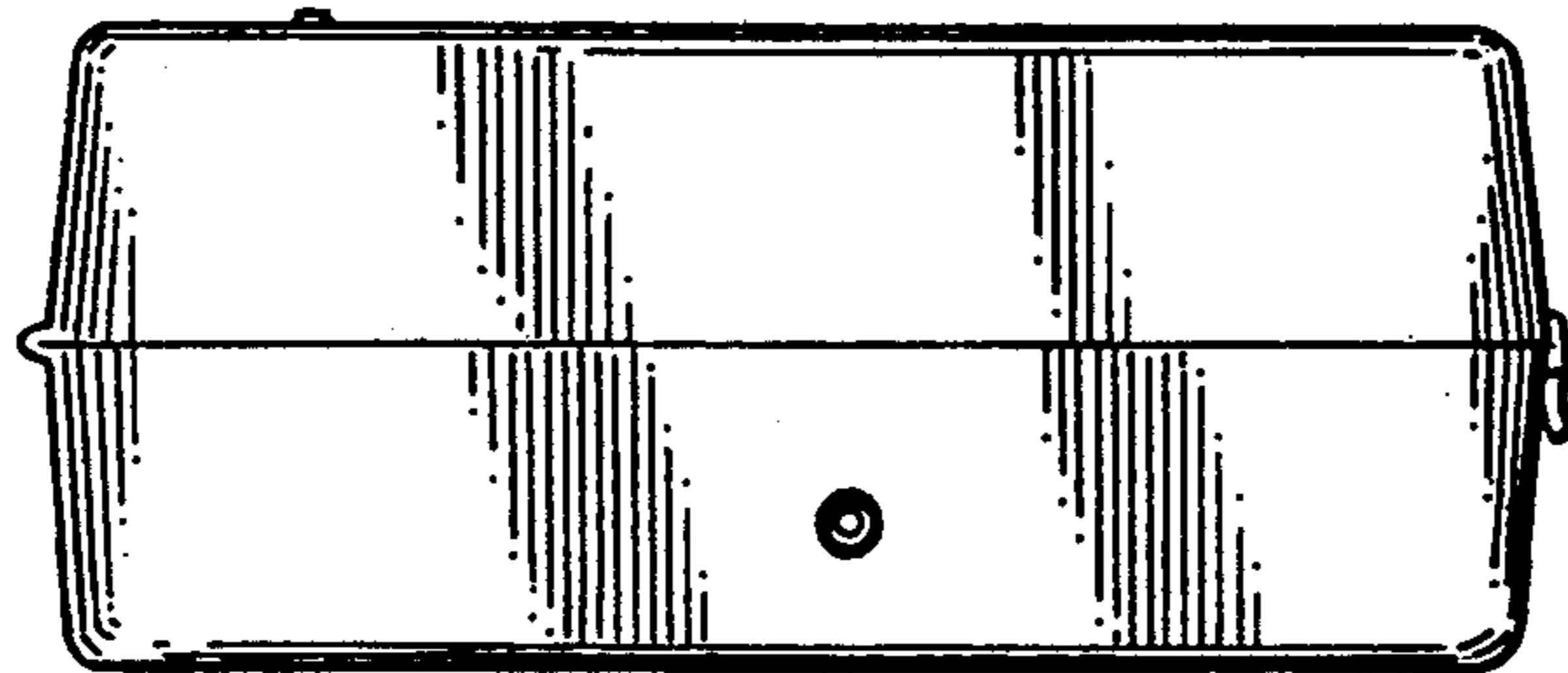


FIG. 2

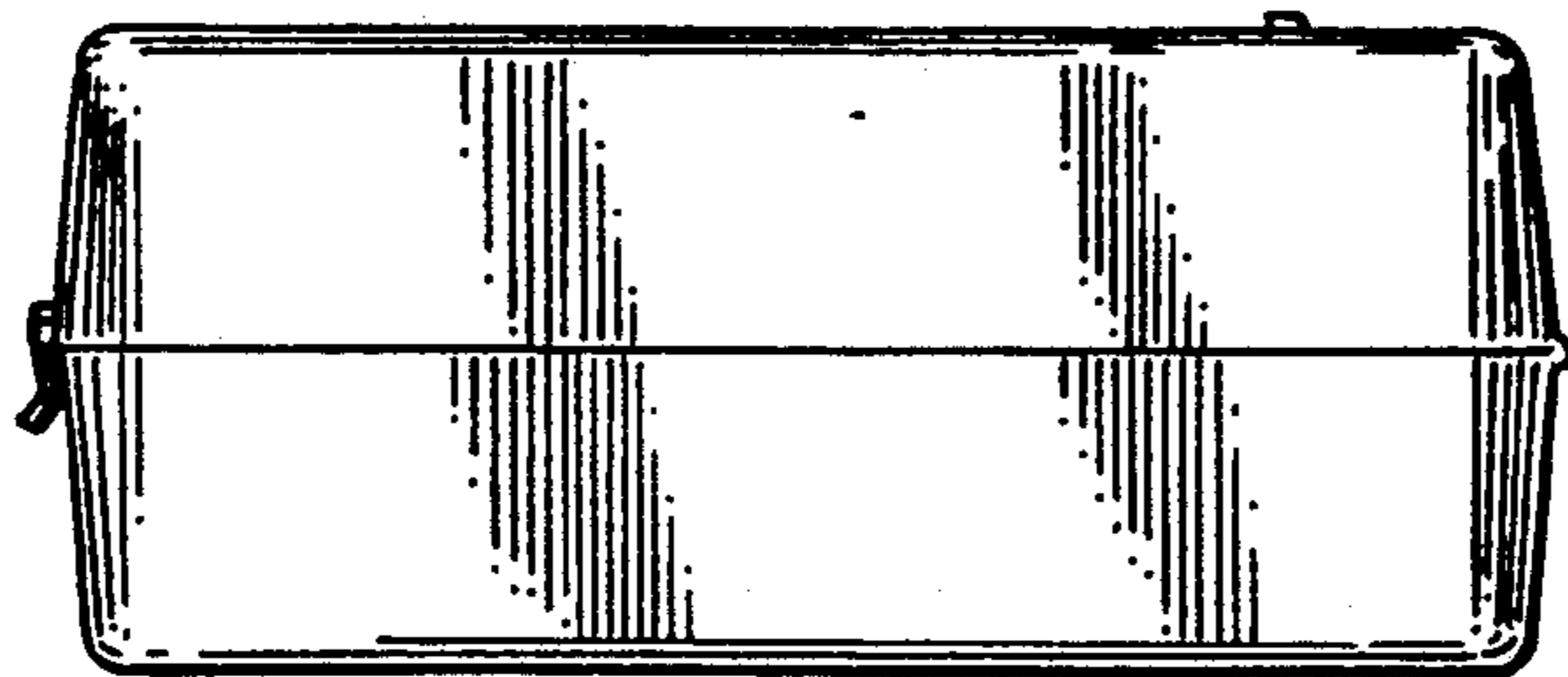


FIG. 3

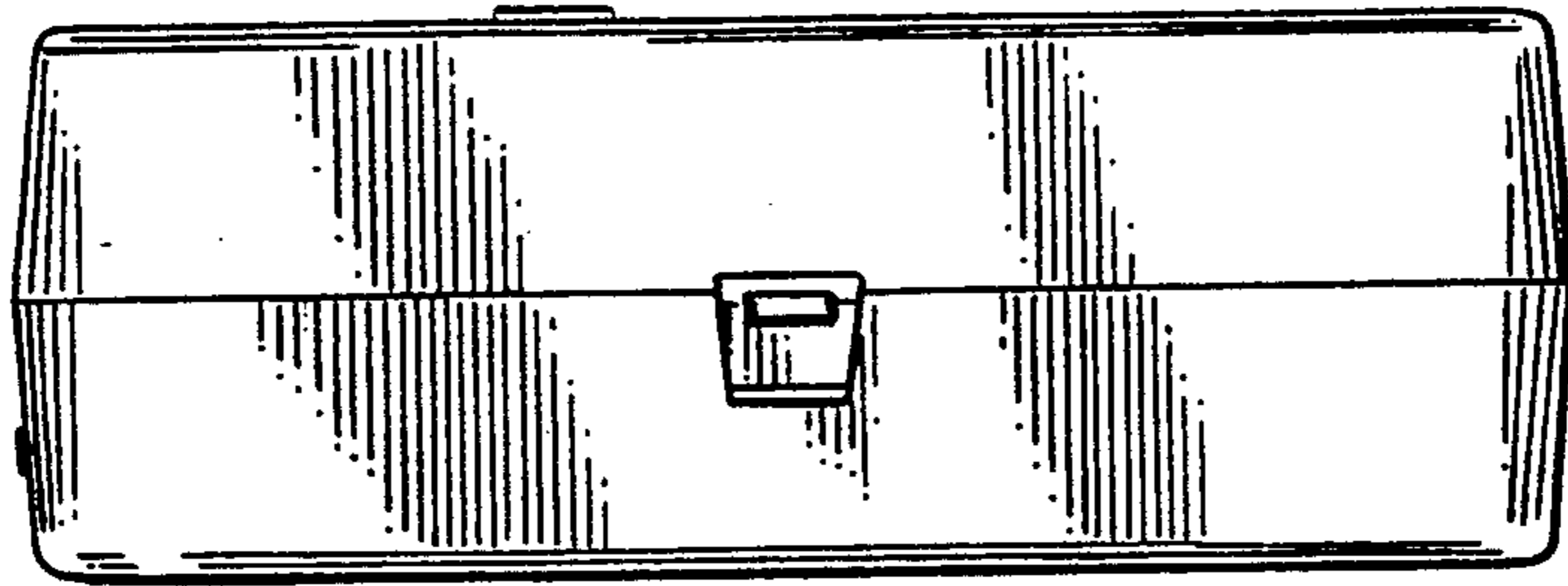


FIG. 4

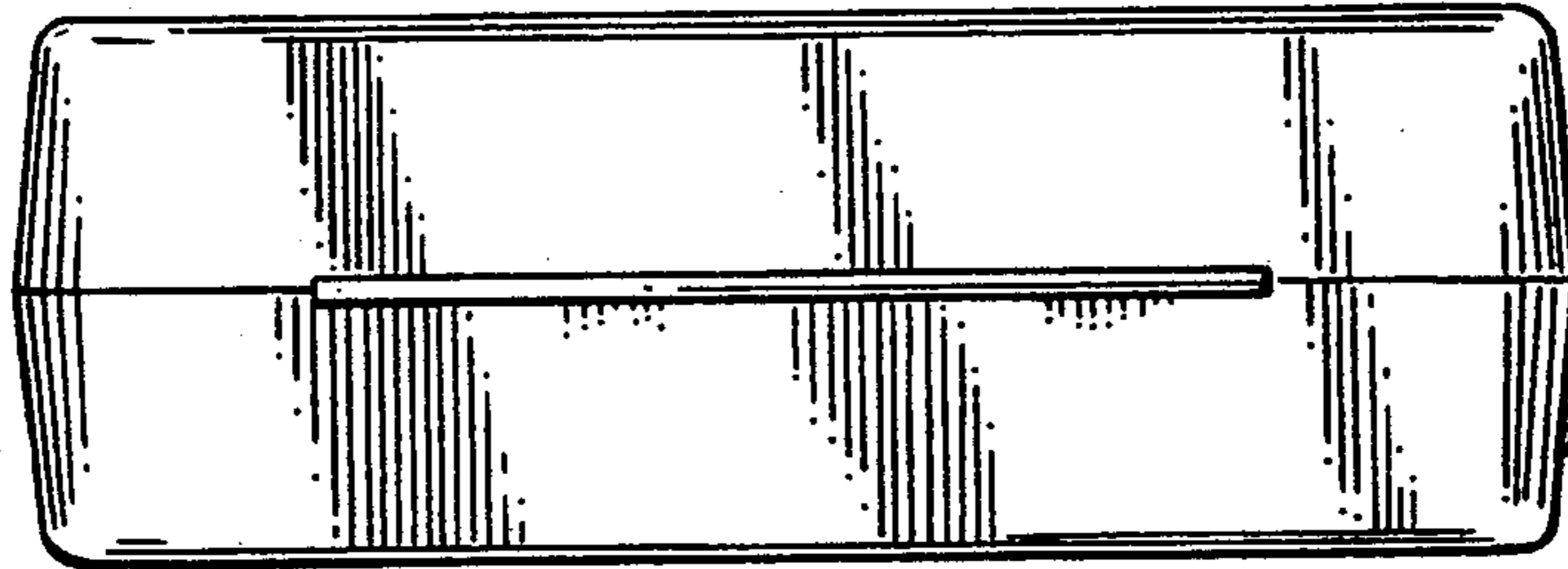


FIG. 5

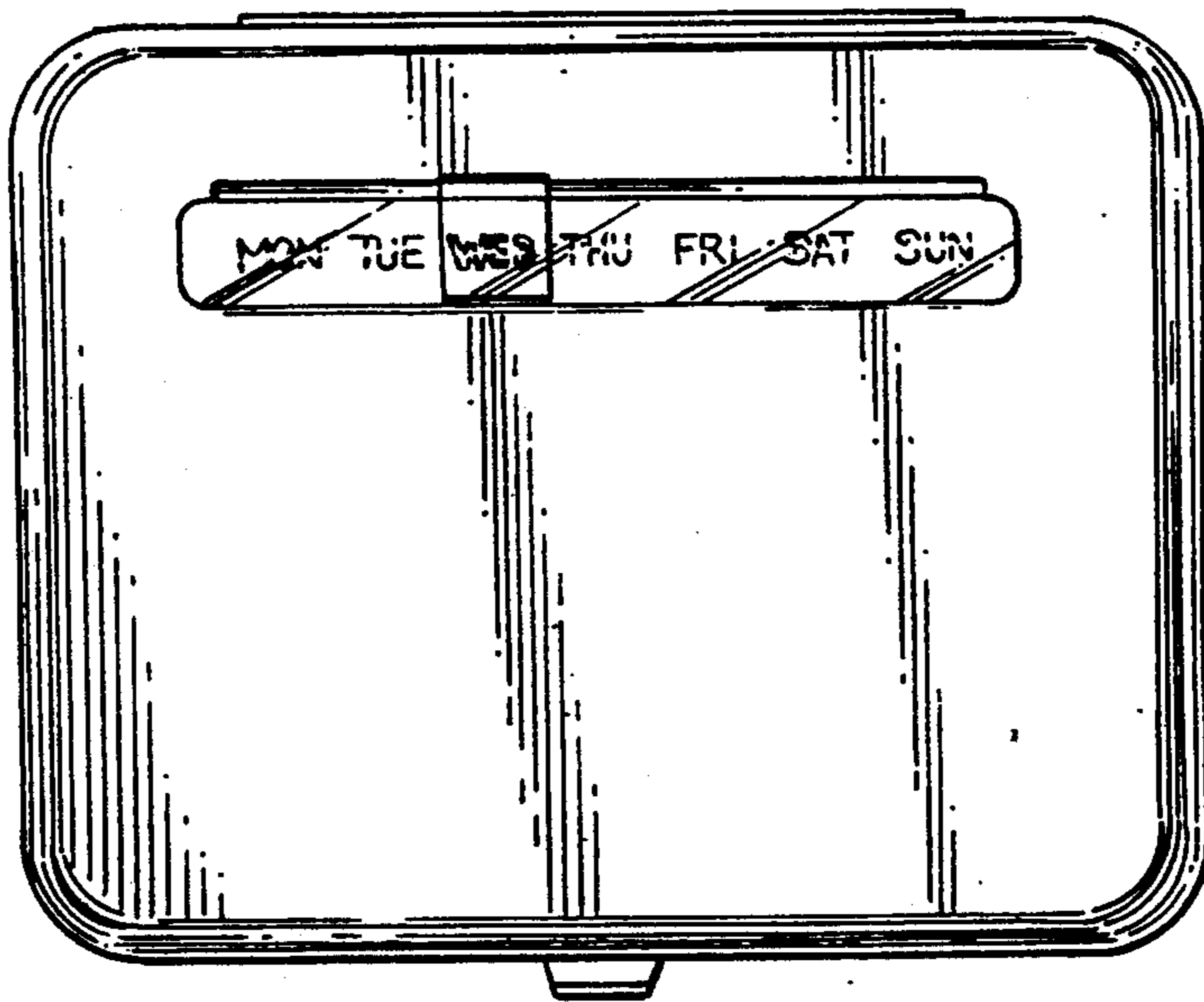


FIG. 6

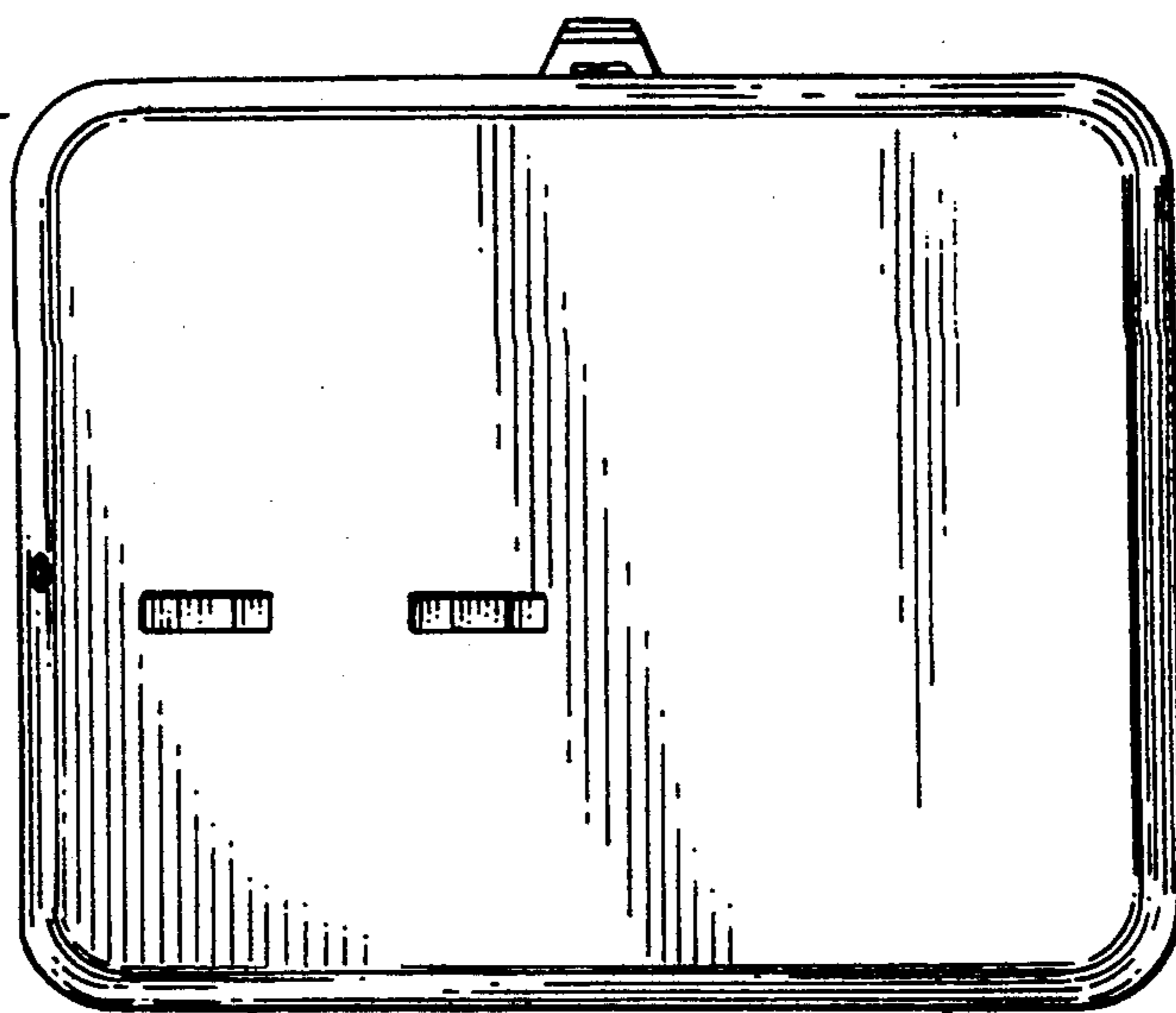


FIG. 7

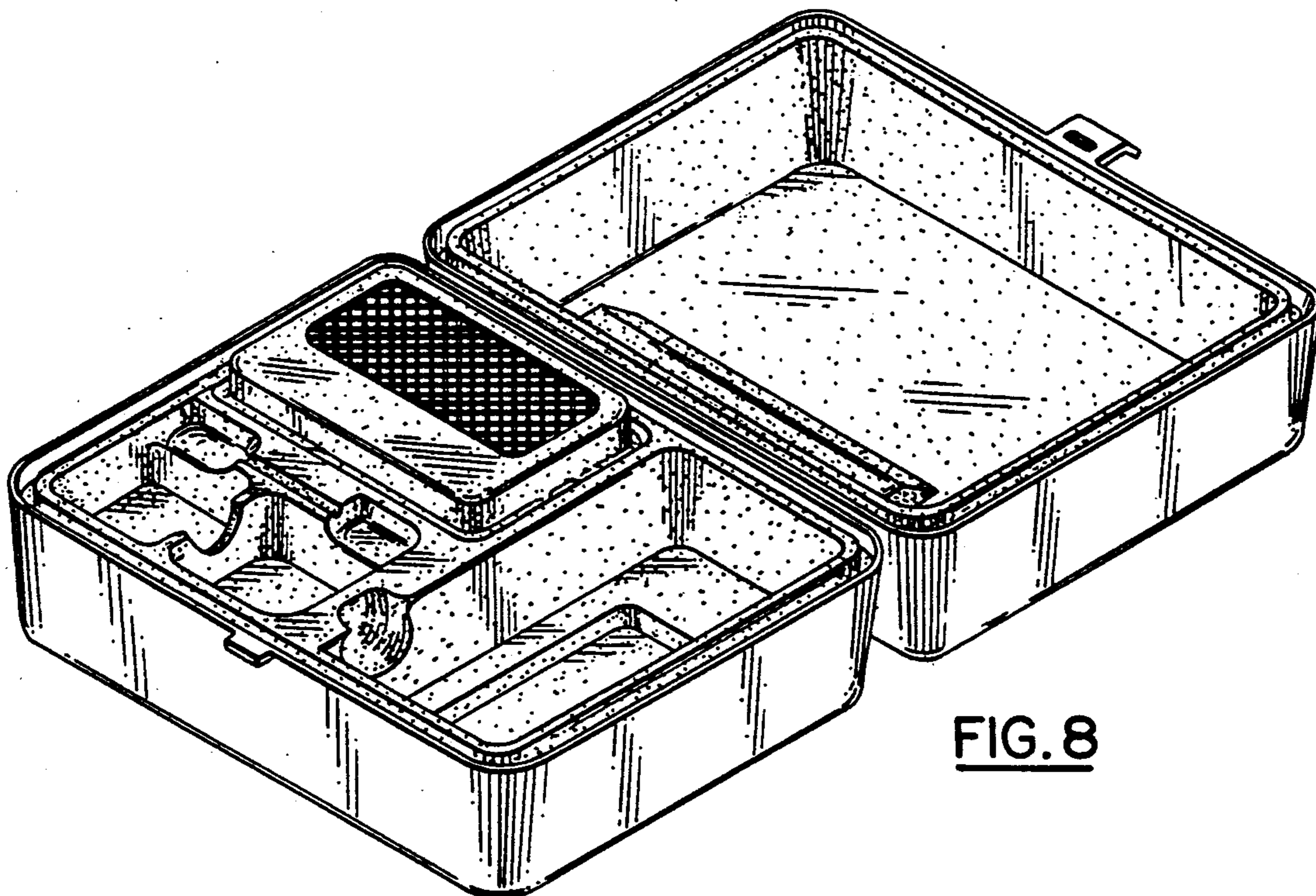


FIG. 8

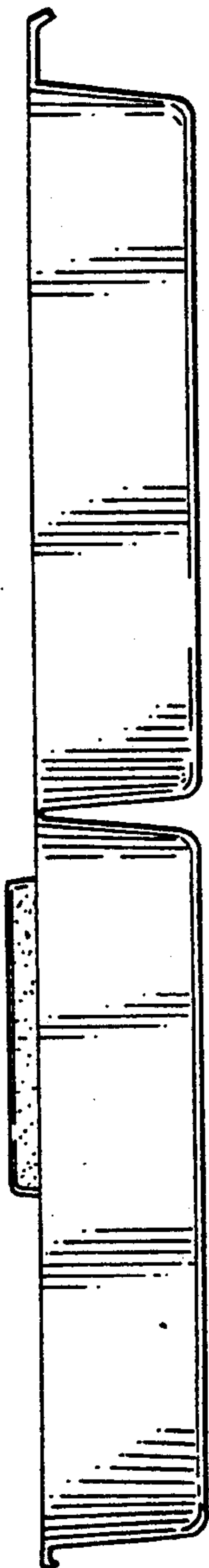


FIG. 9

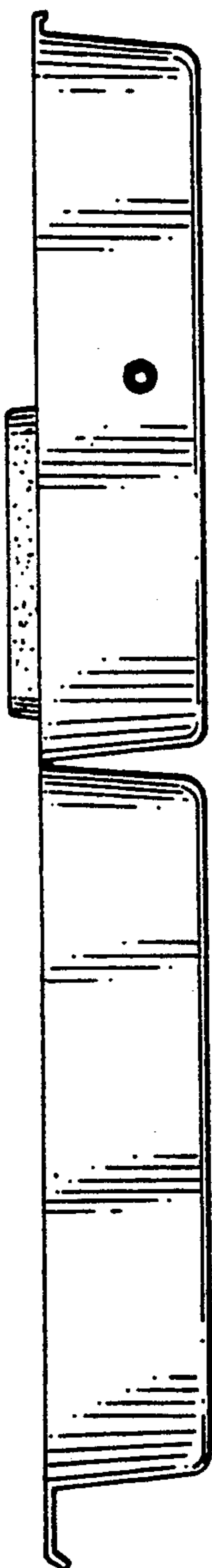


FIG. 10

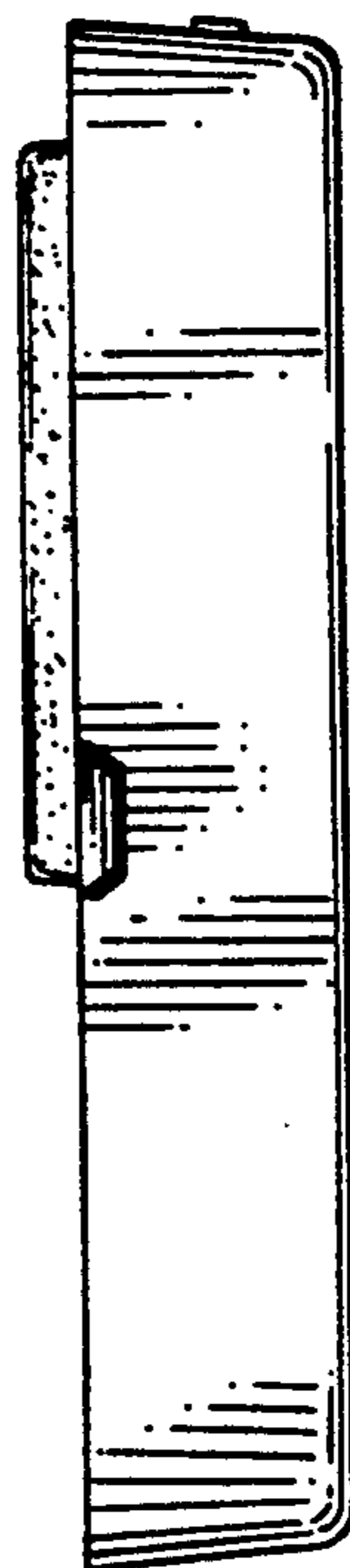


FIG. 11

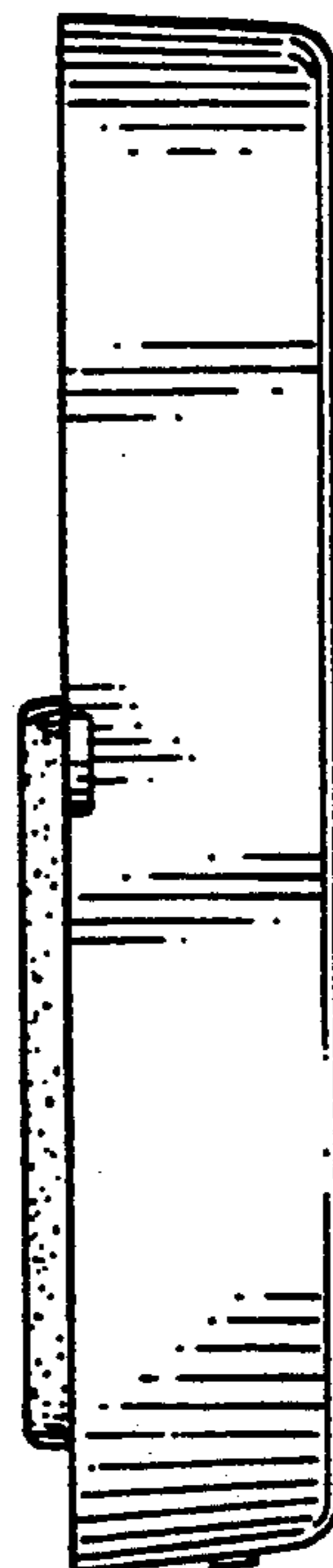


FIG. 12

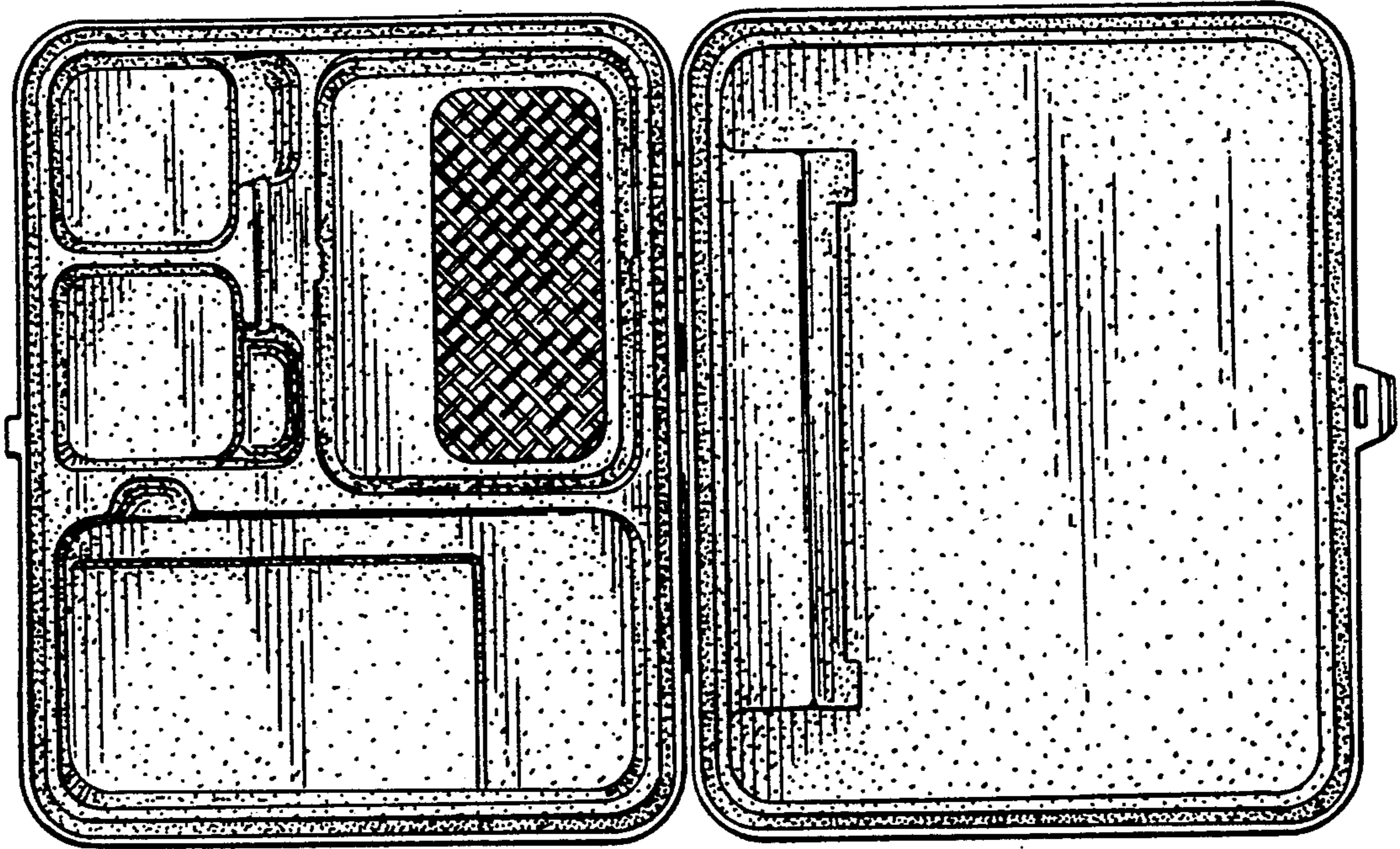


FIG. 13

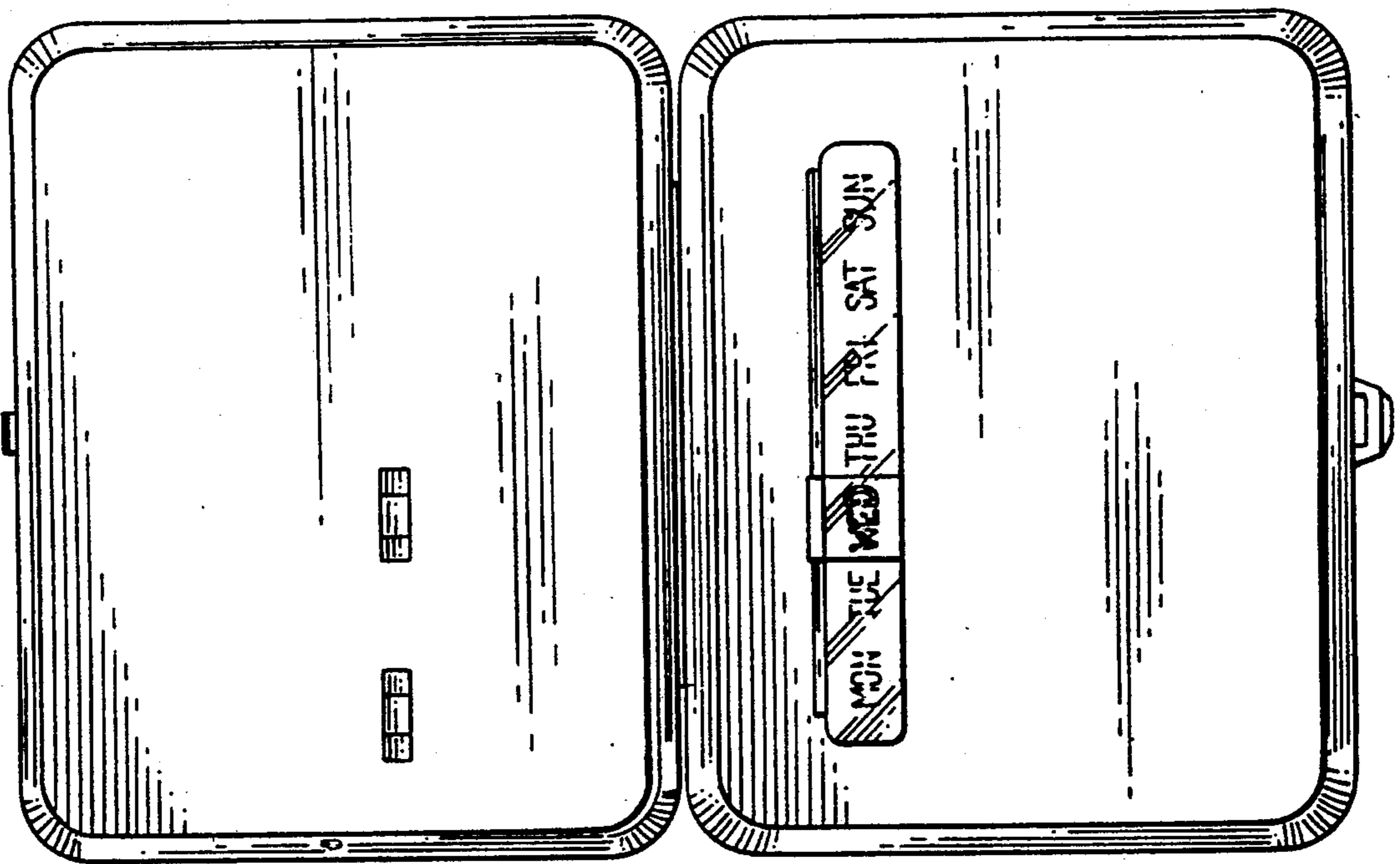


FIG. 14