



US00D333381S

United States Patent [19]

[11] Patent Number: **Des. 333,381**

Sankey et al.

[45] Date of Patent: **** Feb. 23, 1993**

- [54] **HUB FOR CASSETTE STORAGE CONTAINER**
- [75] Inventors: **James K. Sankey, Hudson; James T. Weisburn, Massillon; Andrew W. Moock, Brecksville, all of Ohio**
- [73] Assignee: **Alpha Enterprises, Inc., East Canton, Ohio**
- [**] Term: **14 Years**
- [21] Appl. No.: **683,746**
- [22] Filed: **Apr. 10, 1991**
- [52] U.S. Cl. **D3/35; D3/99**
- [58] Field of Search **D3/30.1, 34, 35, 99; D14/154, 165; 206/387**

4,347,933	9/1982	Ishida et al.	206/387
4,428,482	1/1984	Ogawa	206/387
4,593,814	6/1986	Hagiwara et al.	206/387
4,753,347	6/1988	Bellante et al.	206/387
4,793,479	12/1988	Otsuka et al.	206/310
4,928,825	5/1990	Hehn	206/387
4,956,148	9/1990	Grandone	D3/35

Primary Examiner—A. Hugo Word
Assistant Examiner—Celia A. Murphy
Attorney, Agent, or Firm—Michael Sand Co., L.P.A.

[57] CLAIM

The ornamental design for a hub for cassette storage containers, as shown and described.

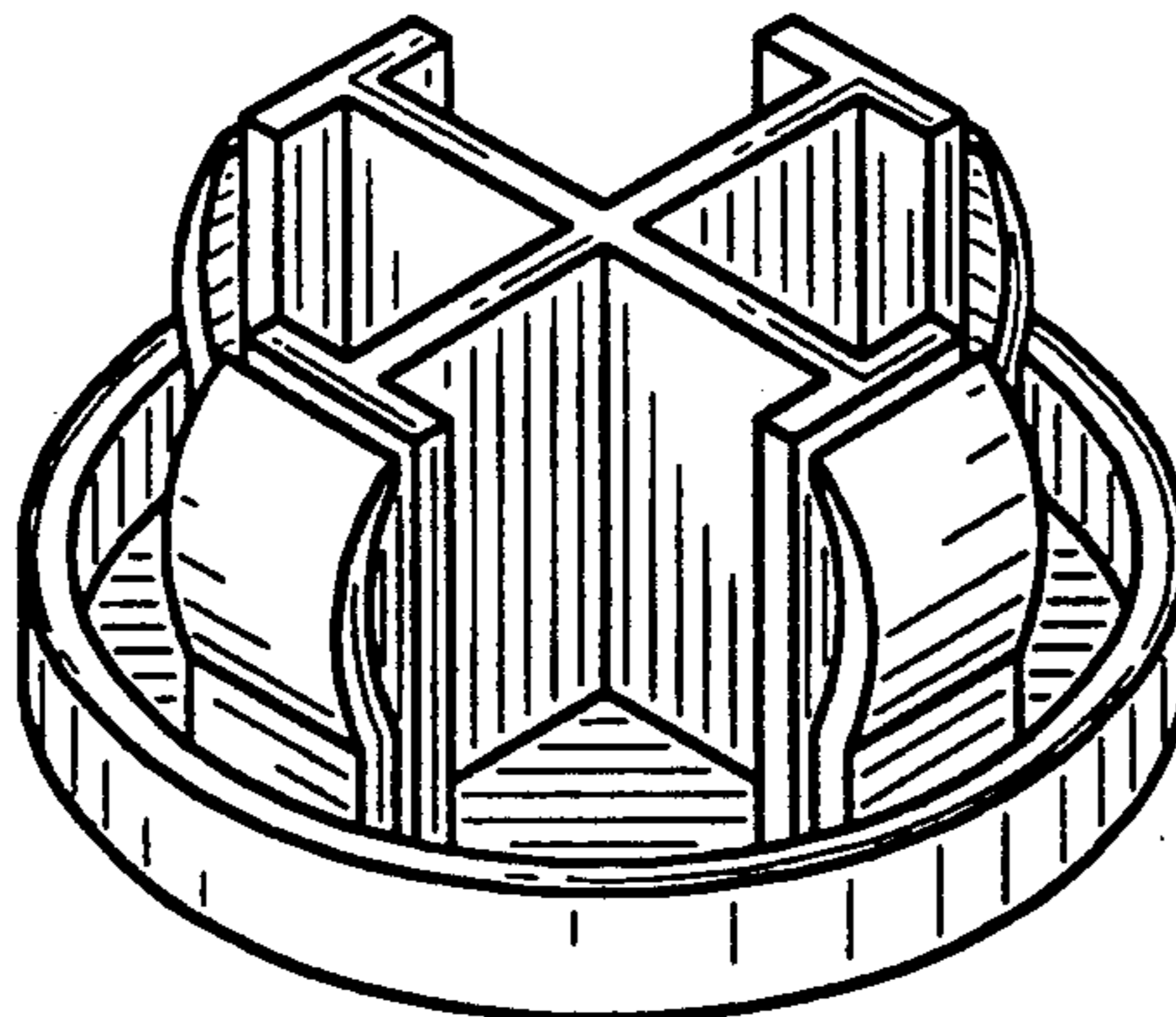
DESCRIPTION

FIG. 1 is a perspective view of a hub for cassette storage containers showing our new design in the position of use, the broken lines showing an additional hub and a container being for illustrative purposes only and forming no part of the claimed design;
 FIG. 2 is an enlarged perspective view of a hub for cassette containers showing our new design;
 FIG. 3 is a front elevational view of FIG. 2 shown rotated 45 degrees;
 FIG. 4 is a front elevational view of FIG. 2, the rear being identical;
 FIG. 5 is a top plan view thereof;
 FIG. 6 is a bottom plan view thereof; and,
 FIG. 7 is a perspective view of an alternate embodiment of the design shown in FIG. 1.

[56] References Cited

U.S. PATENT DOCUMENTS

D. 229,585	12/1973	Singleton	D3/35
D. 265,524	7/1982	Basili et al.	D3/35
D. 284,621	7/1986	Swinney	D3/35
D. 291,025	7/1987	Matsutsuka	D3/35
D. 304,880	12/1989	Philosophe	D3/35
D. 319,540	9/1991	Hehn	D3/35
3,896,929	7/1975	Mills	206/387
4,184,594	1/1980	Hehn	206/387
4,196,806	4/1980	Posso	206/387
4,230,225	10/1980	Okada et al.	206/387
4,231,474	11/1980	Takahasbi	206/387
4,291,801	9/1981	Basili et al.	206/387



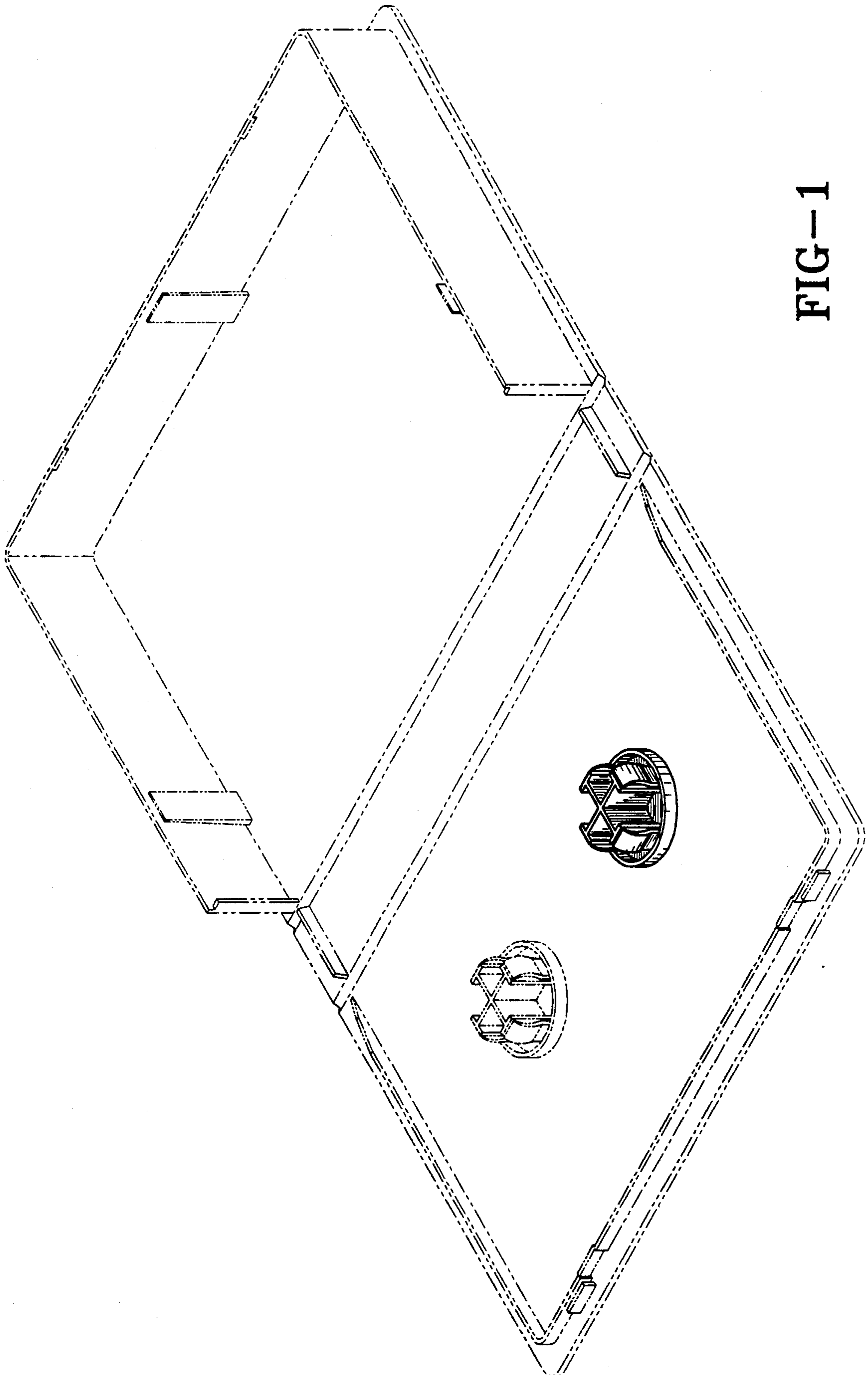


FIG-1

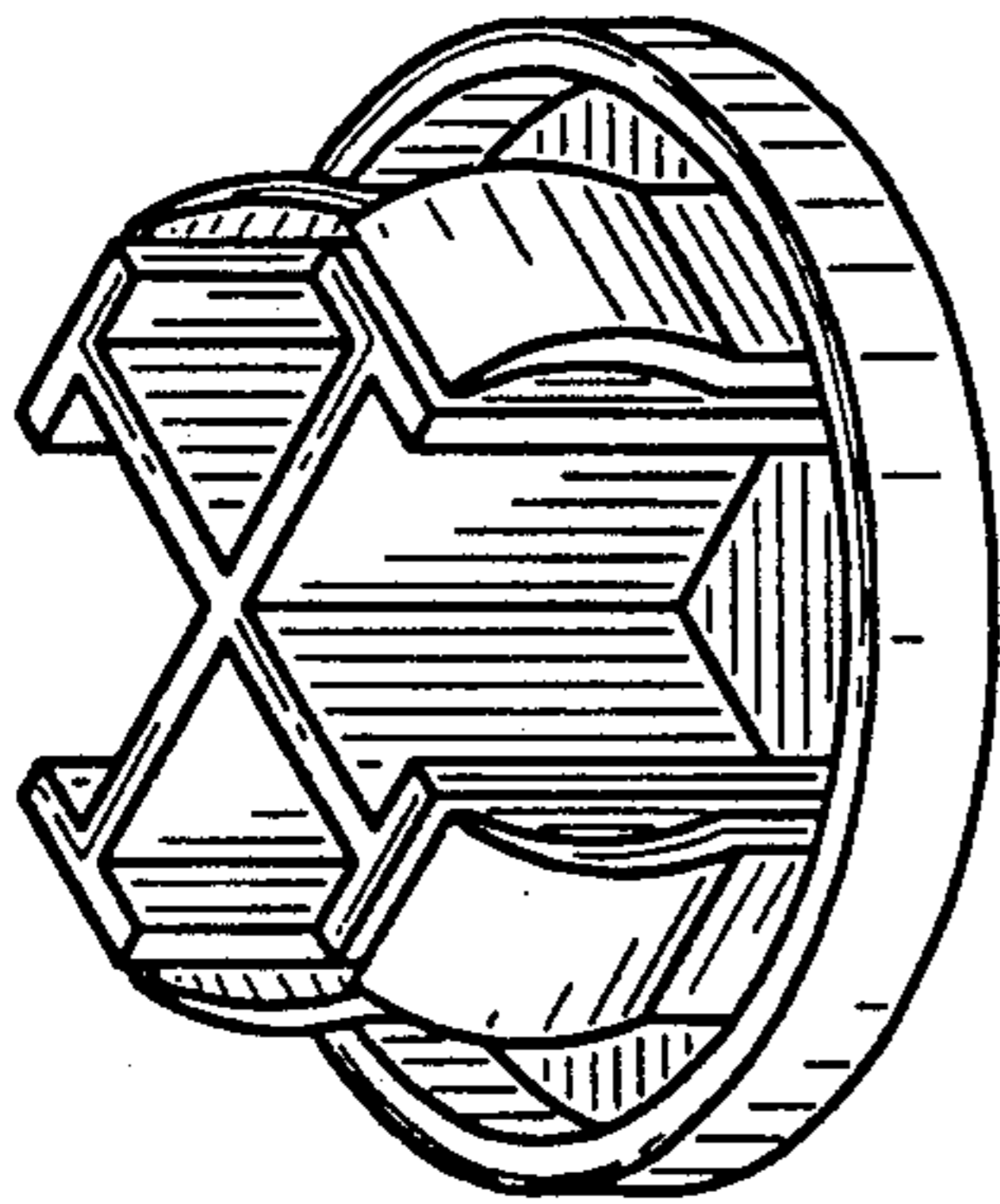


FIG-2

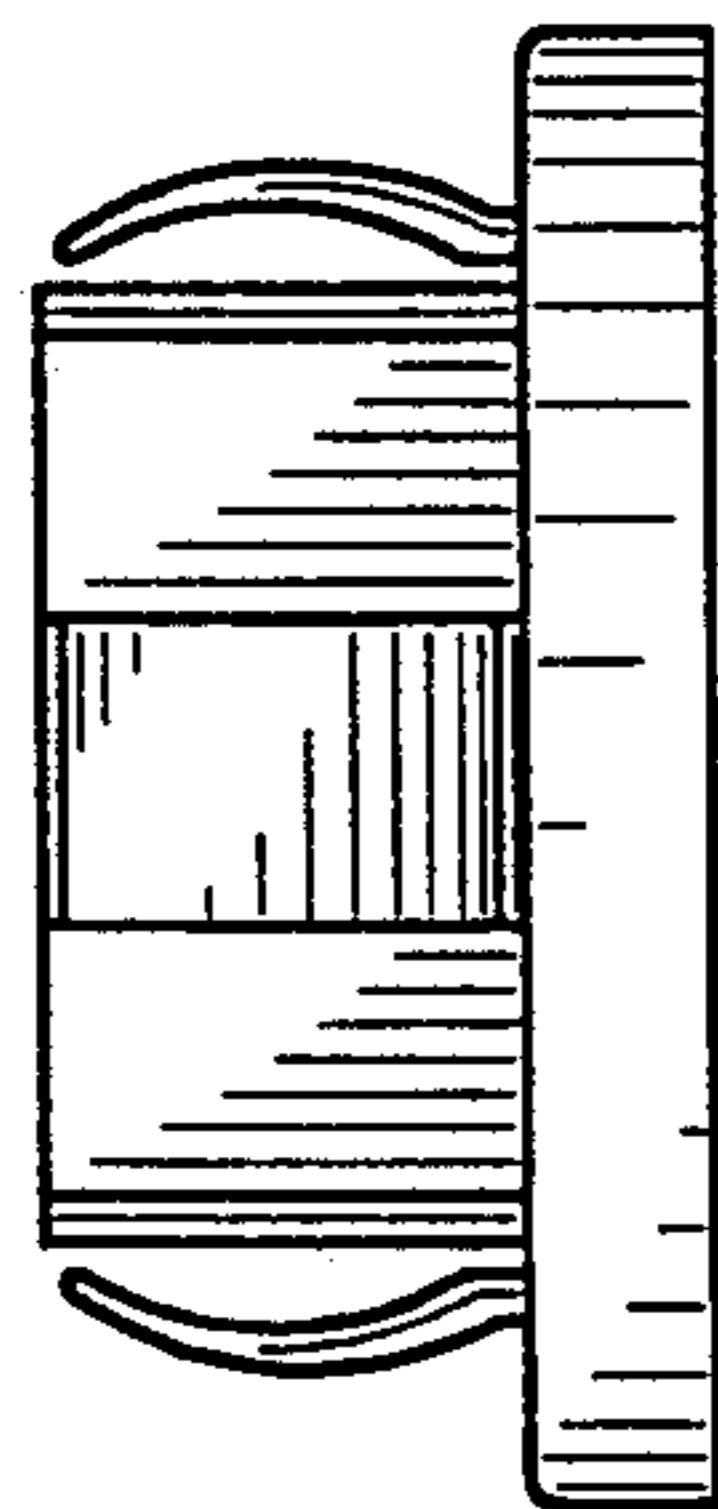


FIG-3

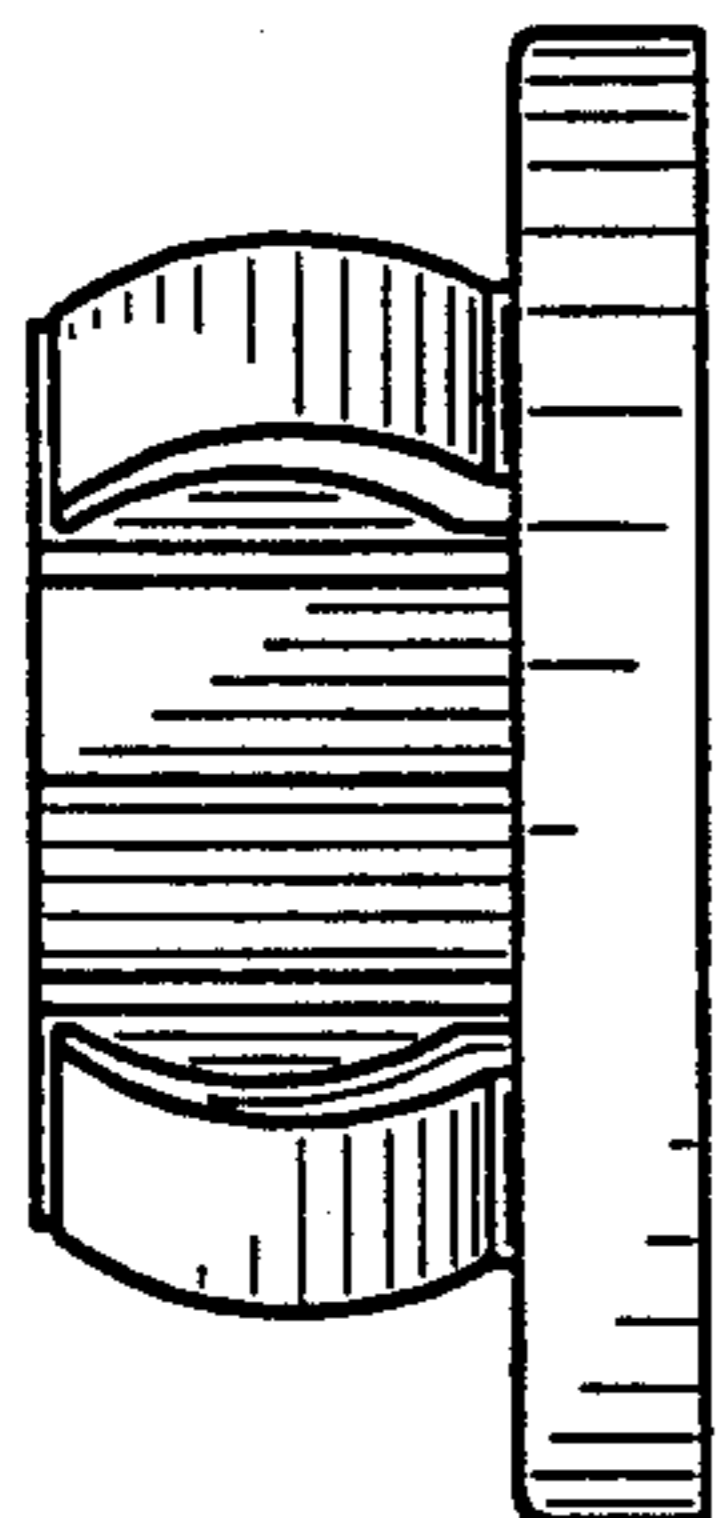


FIG-4

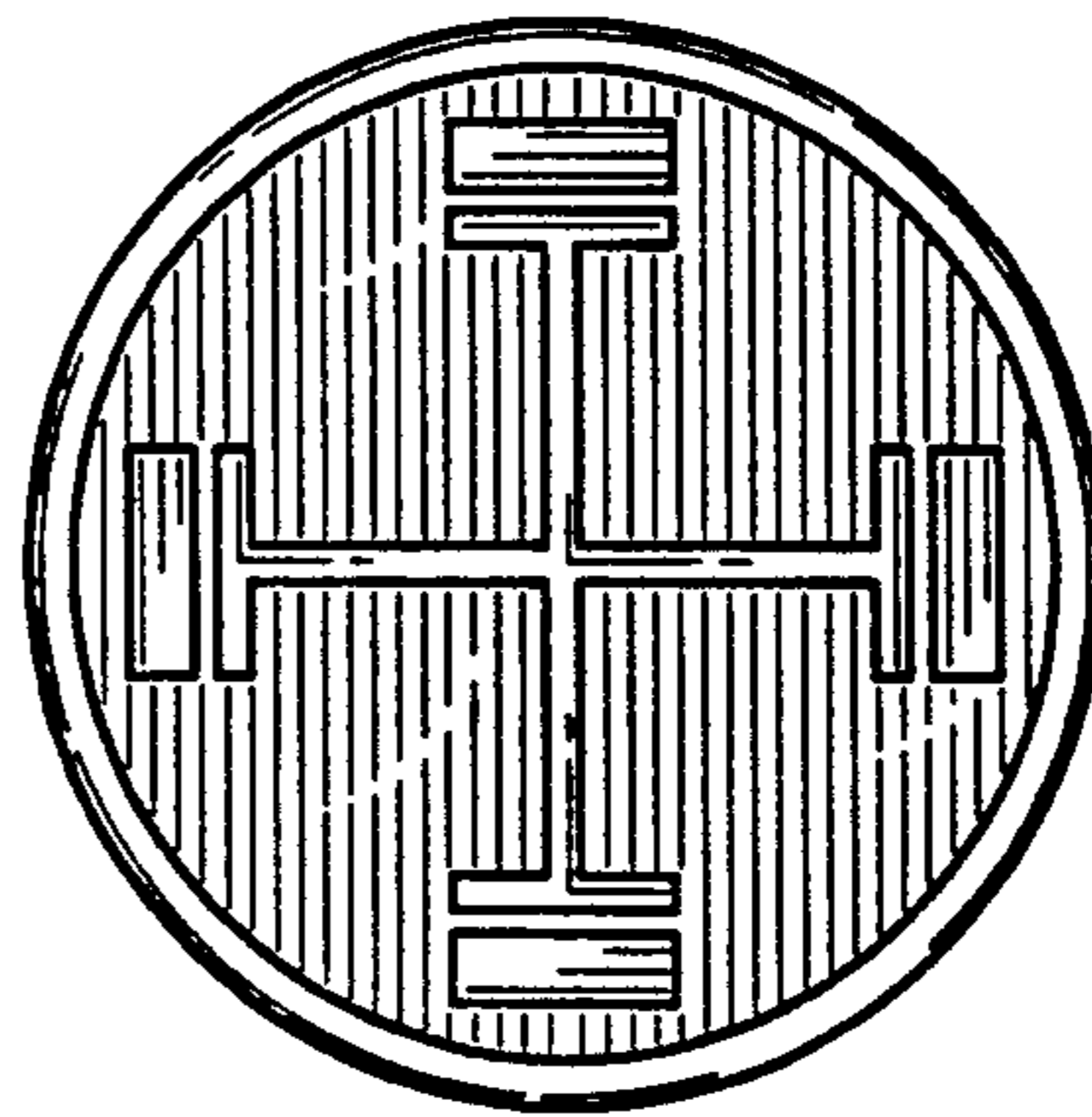


FIG-5

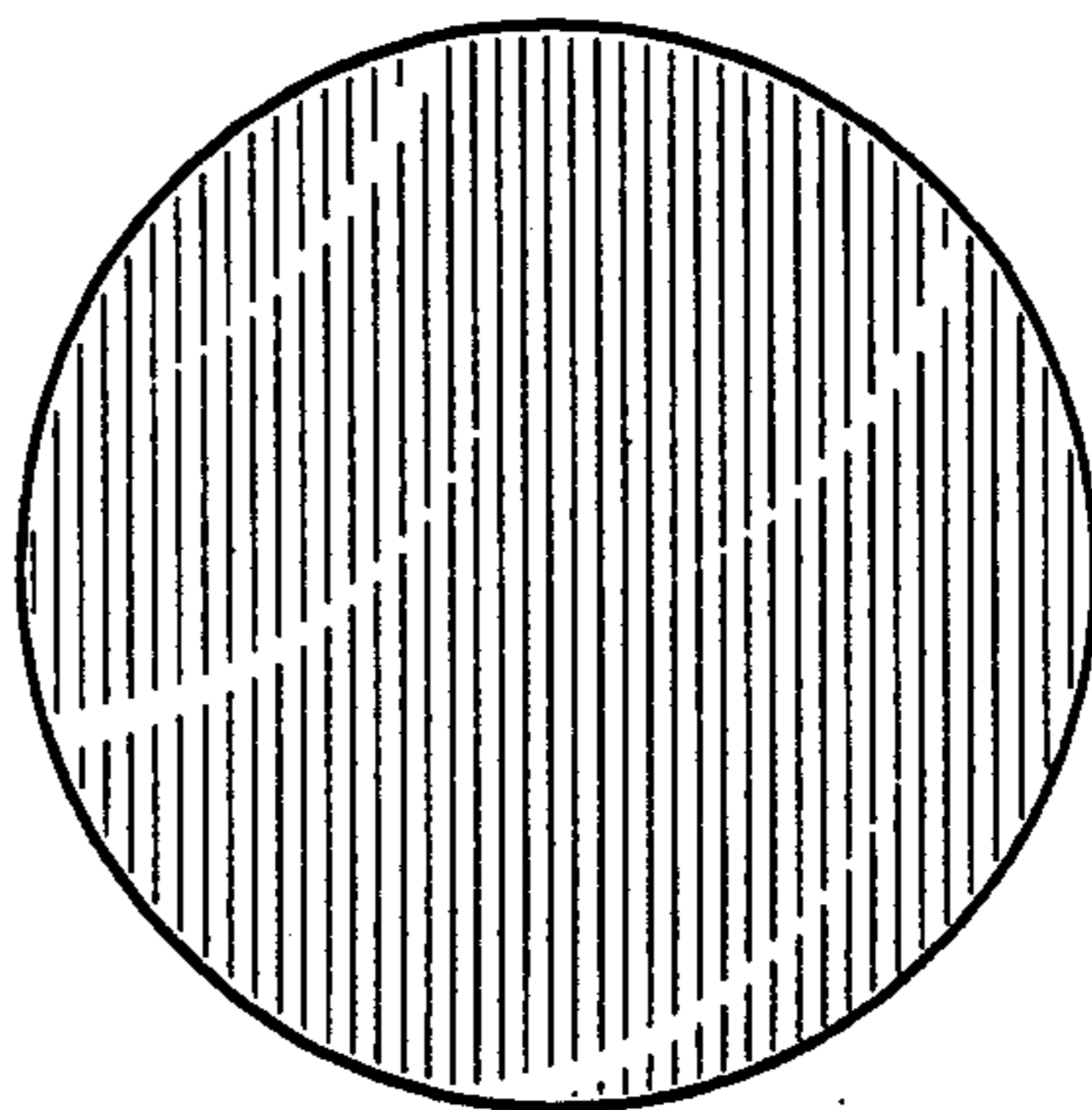


FIG-6

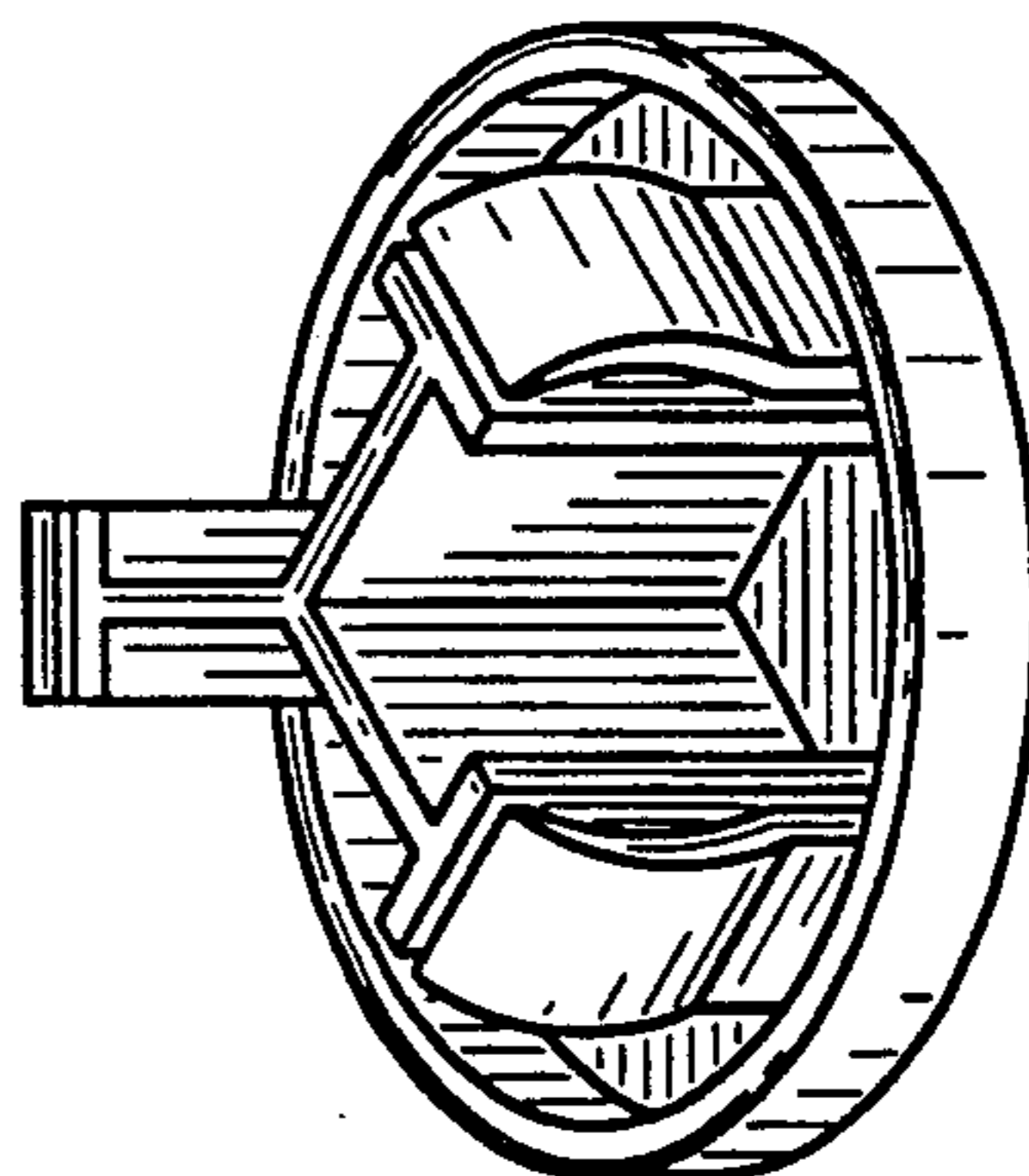


FIG-7