



US00D333373S

# United States Patent [19]

[11] Patent Number: **Des. 333,373**

Pacelli

[45] Date of Patent: **\*\* Feb. 16, 1993**

[54] **BELT MOUNTED COIN TARGET**

5,064,195 11/1991 McMahan et al. .... 273/1.5 R

[76] Inventor: **Raymond Pacelli, 209 S. Pine St., Hazleton, Pa. 18201**

*Primary Examiner*—Alan P. Douglas  
*Assistant Examiner*—J. H. Musgrove  
*Attorney, Agent, or Firm*—Eckert Seamans Cherin & Mellott

[\*\*] Term: **14 Years**

[21] Appl. No.: **636,389**

[57] **CLAIM**

[22] Filed: **Dec. 31, 1990**

The ornamental design for a belt mounted coin target, as shown and described.

[52] U.S. Cl. .... **D99/37**

[58] Field of Search ..... **D99/37, 99; D3/100; D21/201; 273/1.5, 4.2, 414, 440**

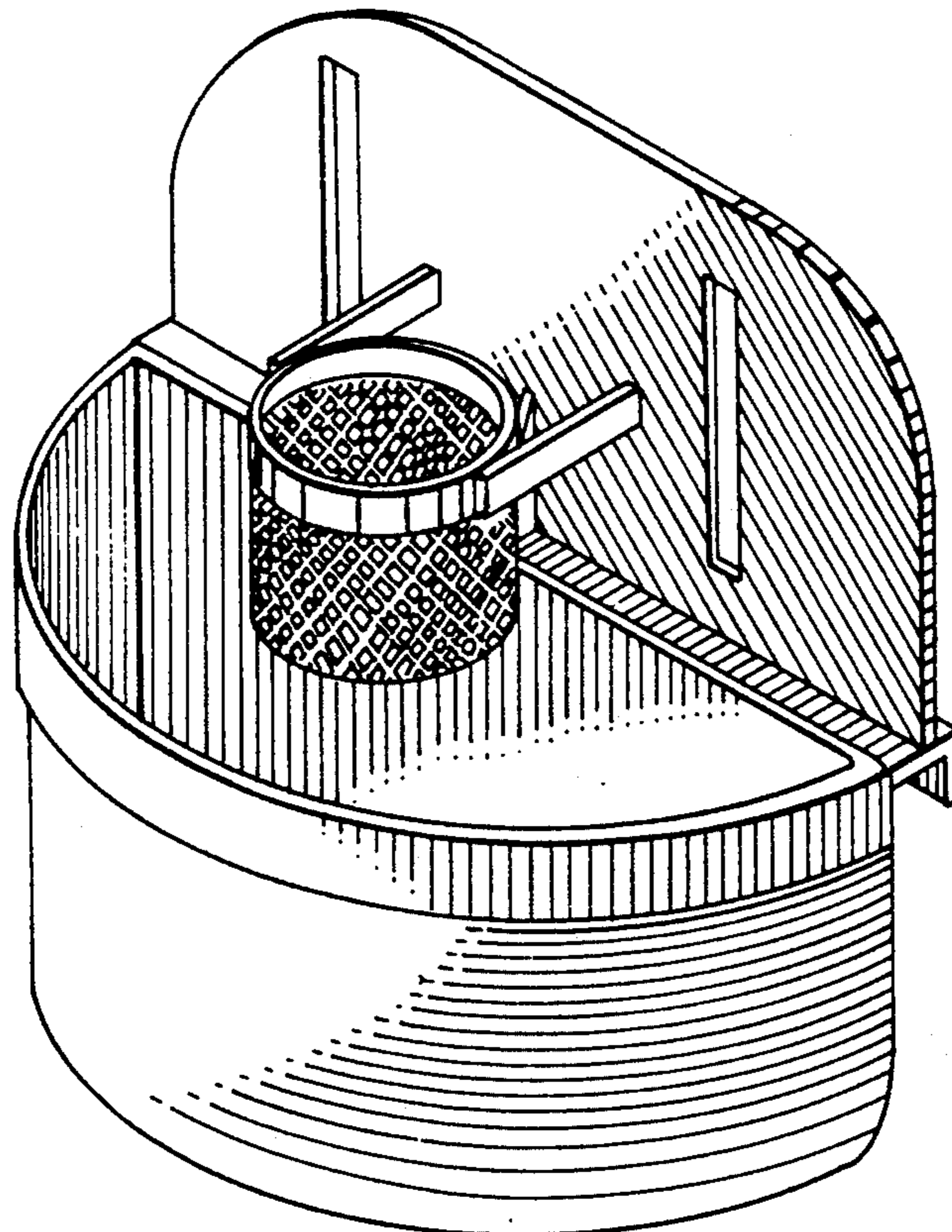
**DESCRIPTION**

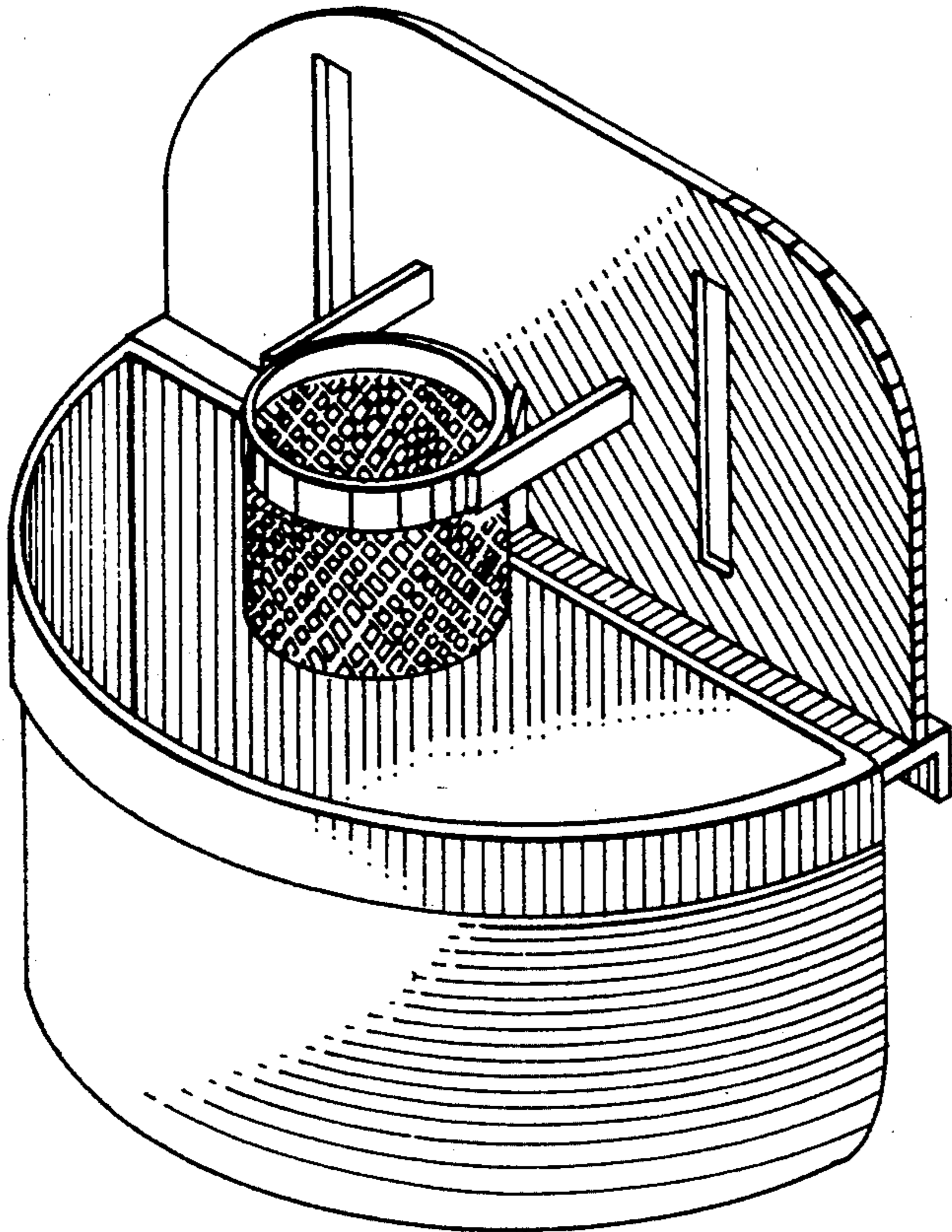
[56] **References Cited**

**U.S. PATENT DOCUMENTS**

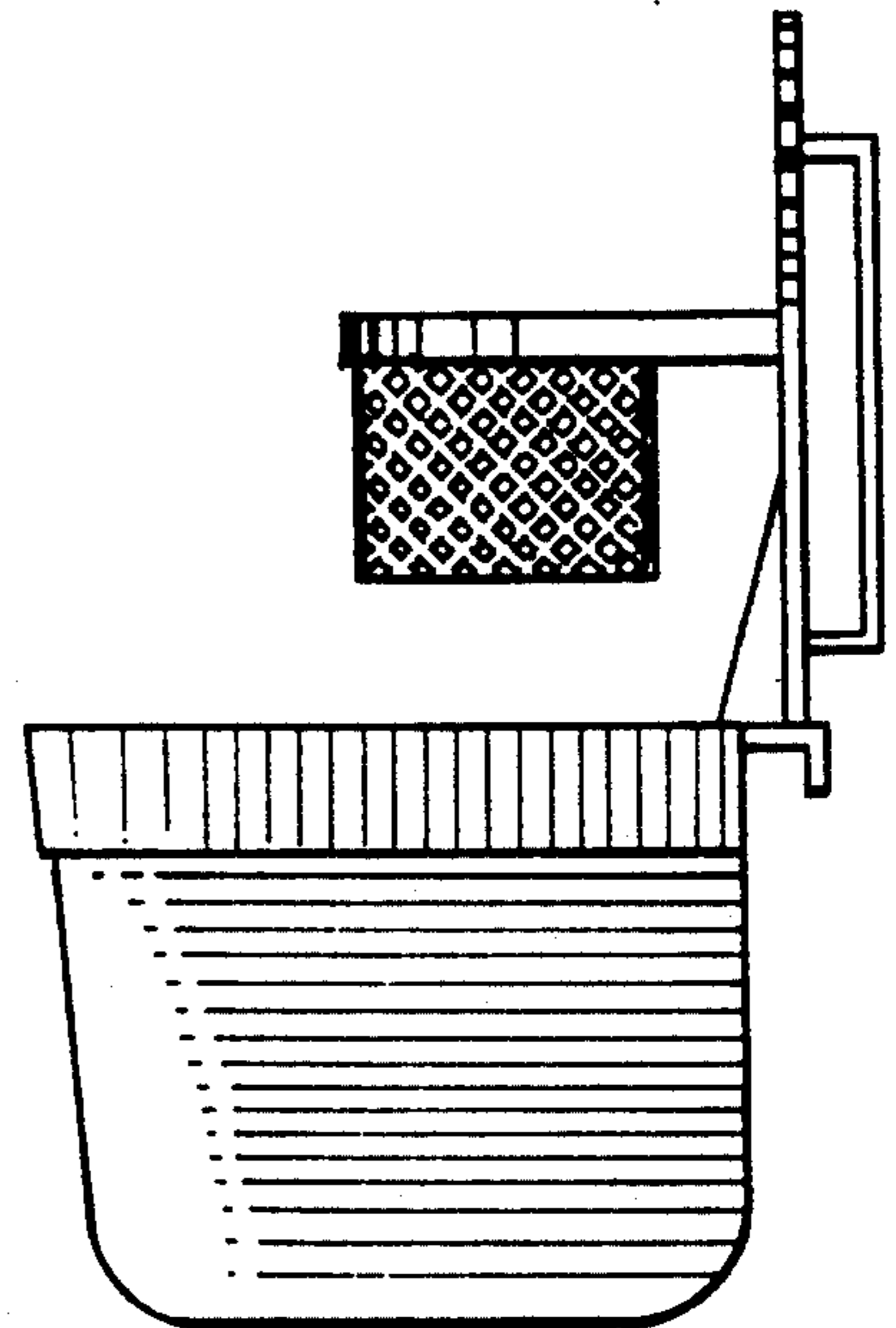
- D. 327,981 7/1992 Speers ..... D21/201
- 3,610,622 10/1971 Haroski ..... 273/414
- 4,248,435 2/1981 Barmore ..... 273/414
- 4,718,676 1/1988 Collin, Jr. .... 273/412

FIG. 1 is a top, front and right-side perspective view of a belt mounted coin target showing my new design; FIG. 2 is a front elevational view thereof; FIG. 3 is a right side elevational view thereof, the left side being a mirror image; FIG. 4 is a top plan view thereof; FIG. 5 is a rear elevational view thereof; and, FIG. 6 is a bottom plan view thereof.

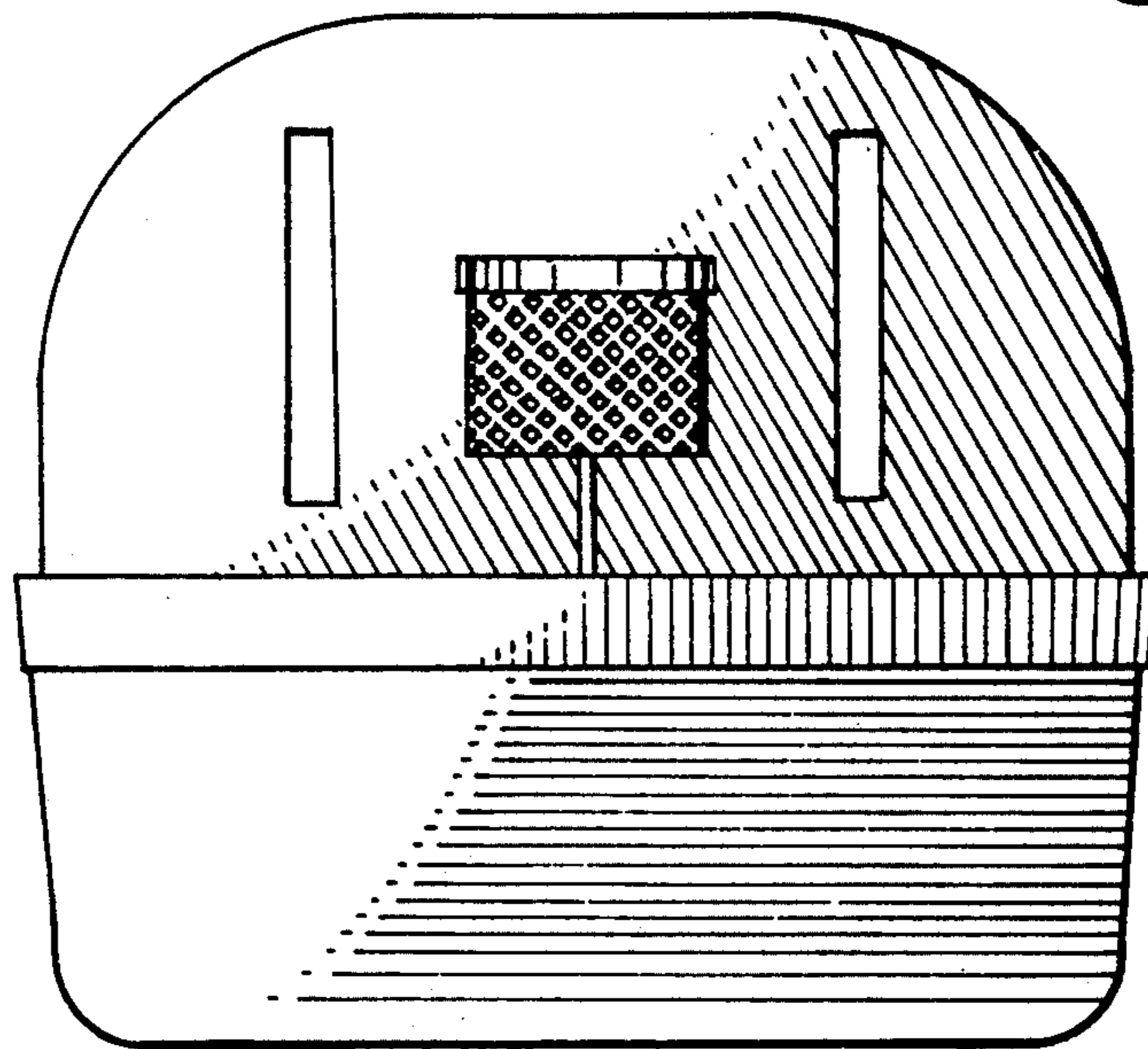




*Fig. 1.*

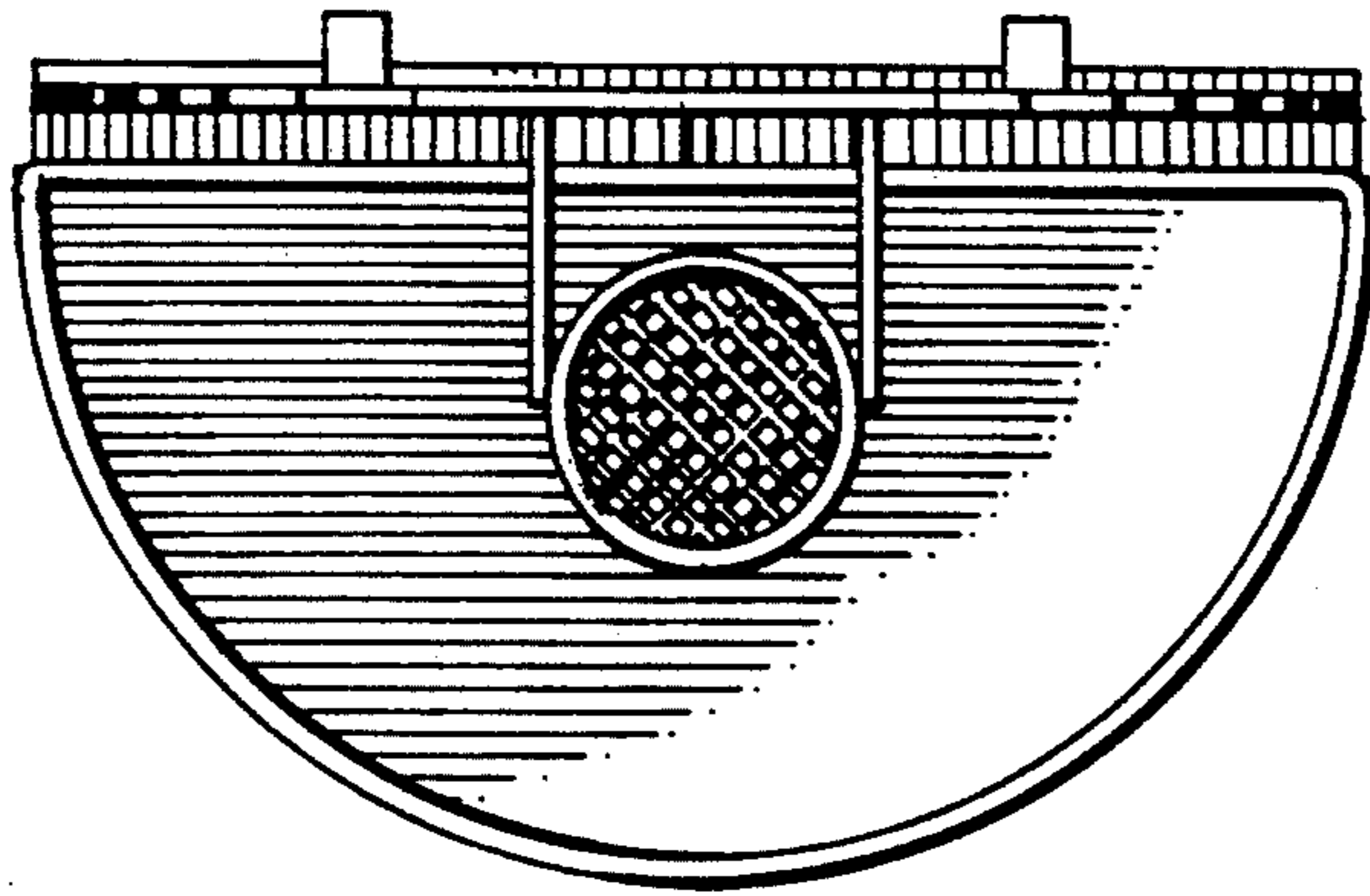


*Fig. 3.*

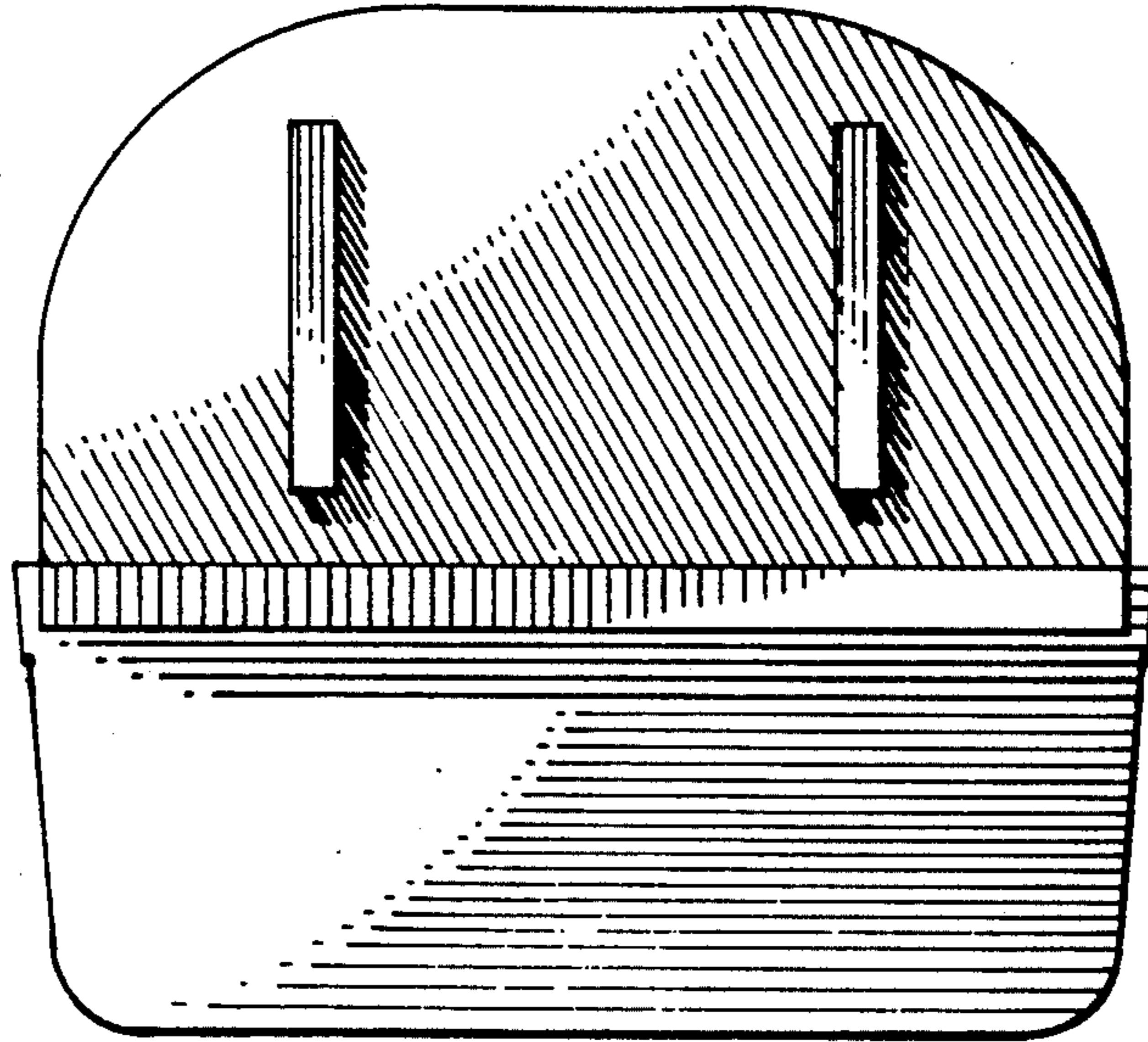


*Fig. 2.*

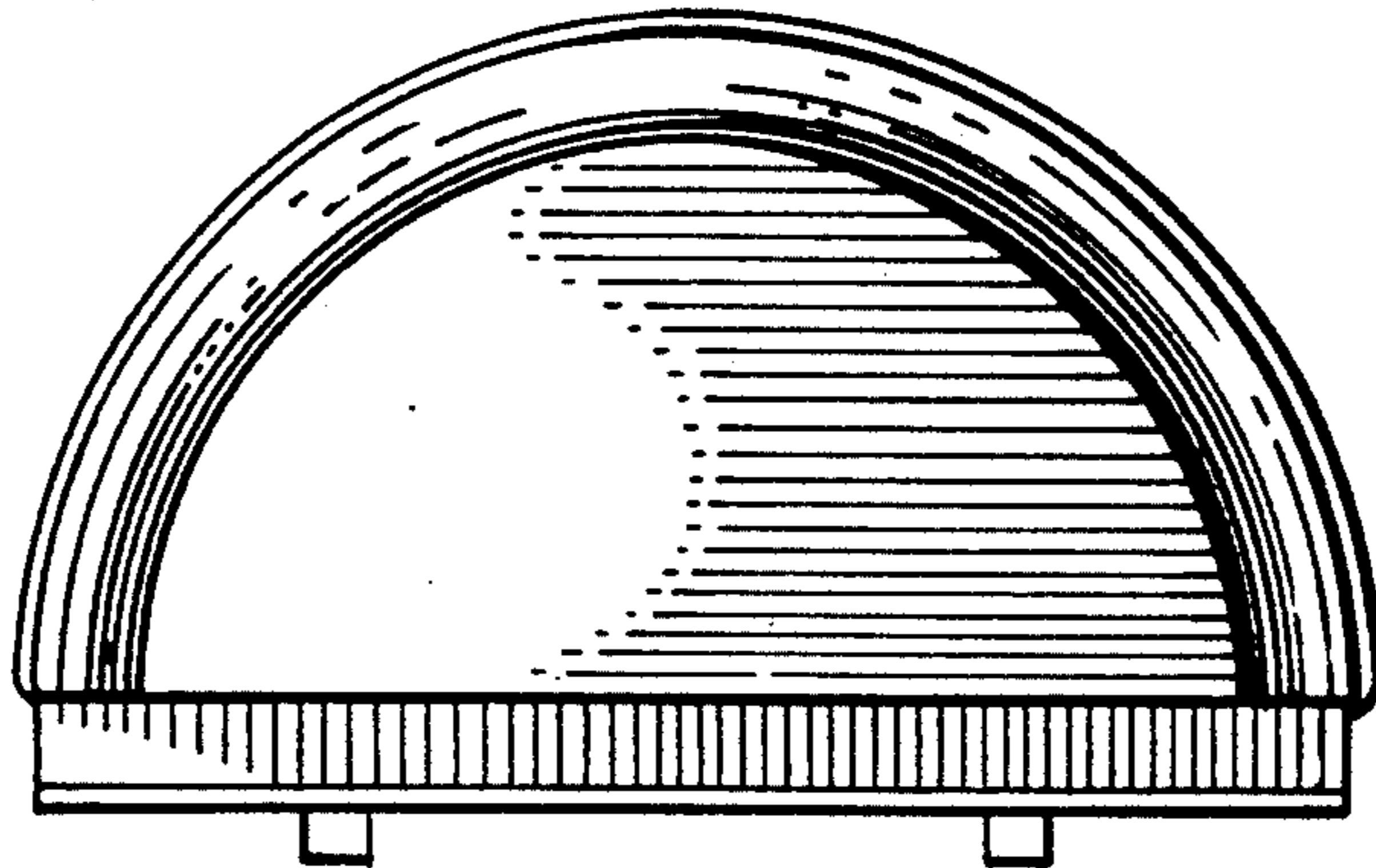




*Fig. 4.*



*Fig. 5.*



*Fig. 6.*