



US00D333372S

# United States Patent [19]

[11] Patent Number: **Des. 333,372**

Feeney

[45] Date of Patent: **\*\* Feb. 16, 1993**

[54] **CASKET**

3,879,818	4/1975	Rowland	.....	27/7
4,034,447	7/1977	Kollmann	.....	27/2
4,637,544	1/1987	Quercetti	.....	229/44 R

[76] Inventor: **Michael J. Feeney, 9703 Legion St., Philadelphia, Pa. 19114**

[\*\*] Term: **14 Years**

*Primary Examiner*—Alan P. Douglas  
*Assistant Examiner*—J. H. Musgrove  
*Attorney, Agent, or Firm*—Terry M. Gernstein

[21] Appl. No.: **630,960**

[57] **CLAIM**

[22] Filed: **Dec. 20, 1990**

The ornamental design for a casket, as shown and described.

[52] U.S. Cl. .... **D99/1**

[58] Field of Search ..... **D99/1, 2; 27/1-20**

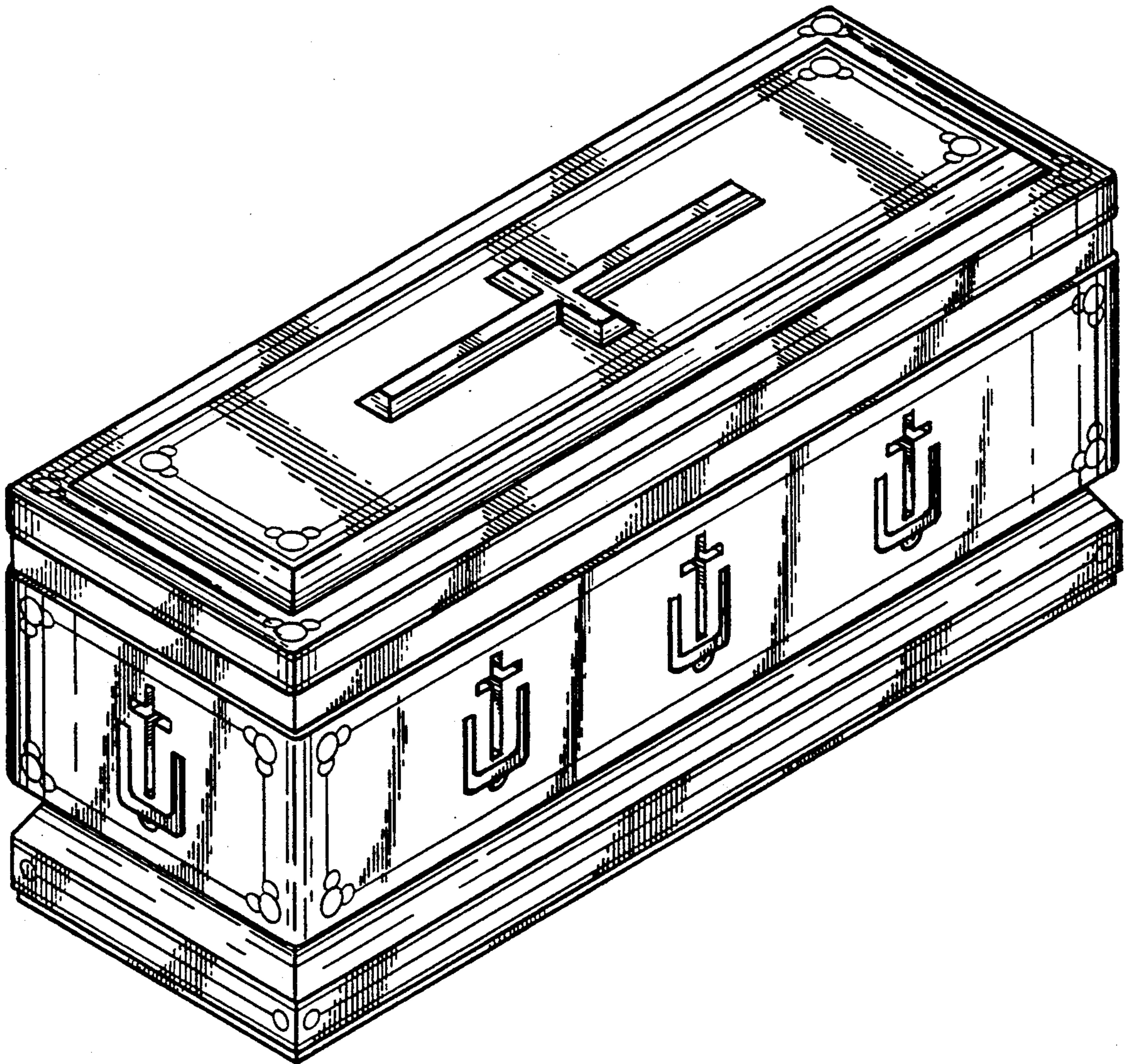
[56] **References Cited**

**U.S. PATENT DOCUMENTS**

D. 2,031	2/1865	Stuokney	.....	D99/1
D. 34,011	1/1901	Barber	.....	D99/1
3,581,452	6/1971	Jalbert	.....	27/7
3,681,820	8/1972	Jalbert	.....	27/7

**DESCRIPTION**

FIG. 1 is a front, top and left-side of a casket showing my new design;  
FIG. 2 is a right side elevational view;  
FIG. 3 is a rear elevational view;  
FIG. 4 is a top plan view; and,  
FIG. 5 is a bottom plan view thereof.



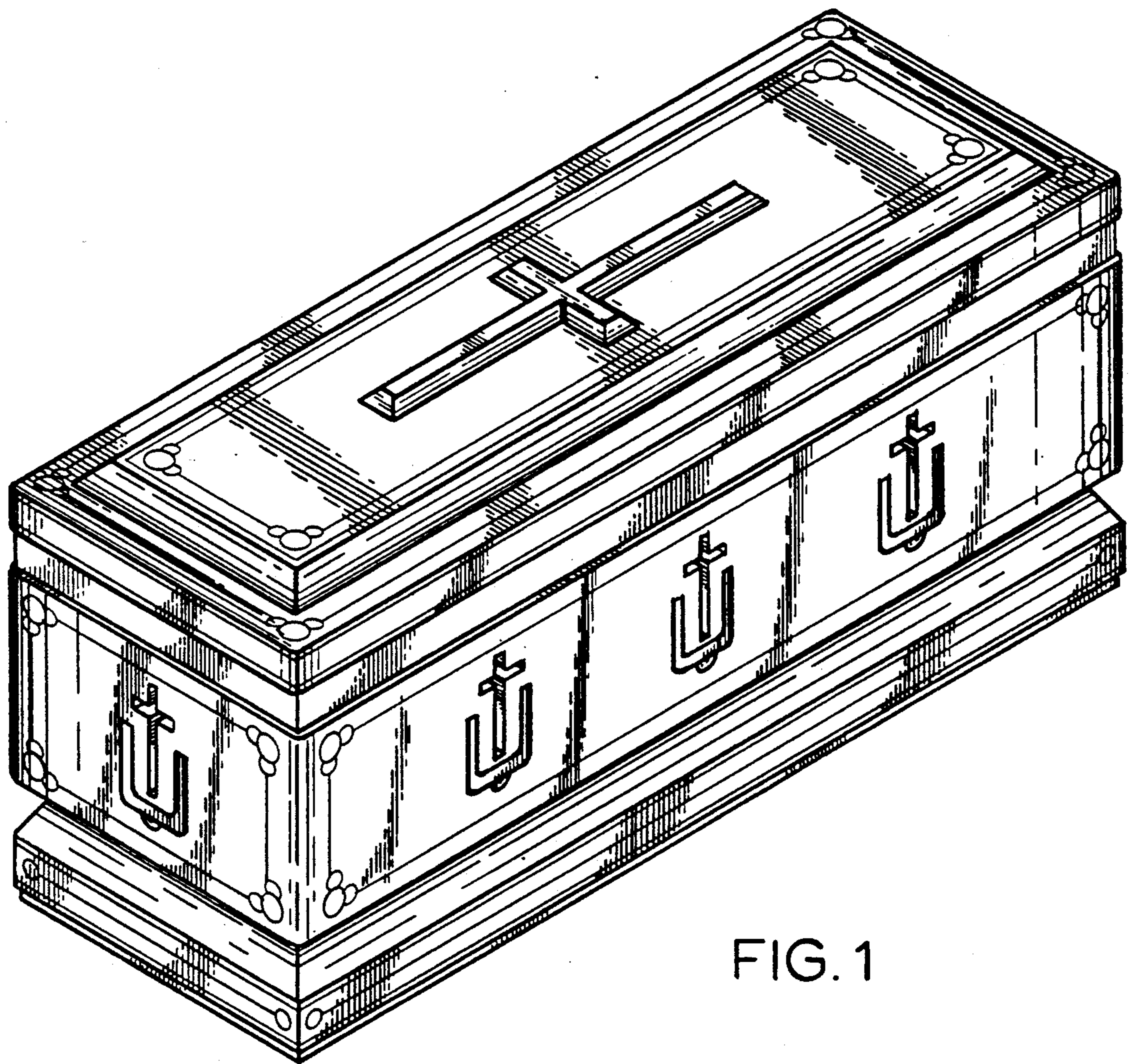


FIG. 1

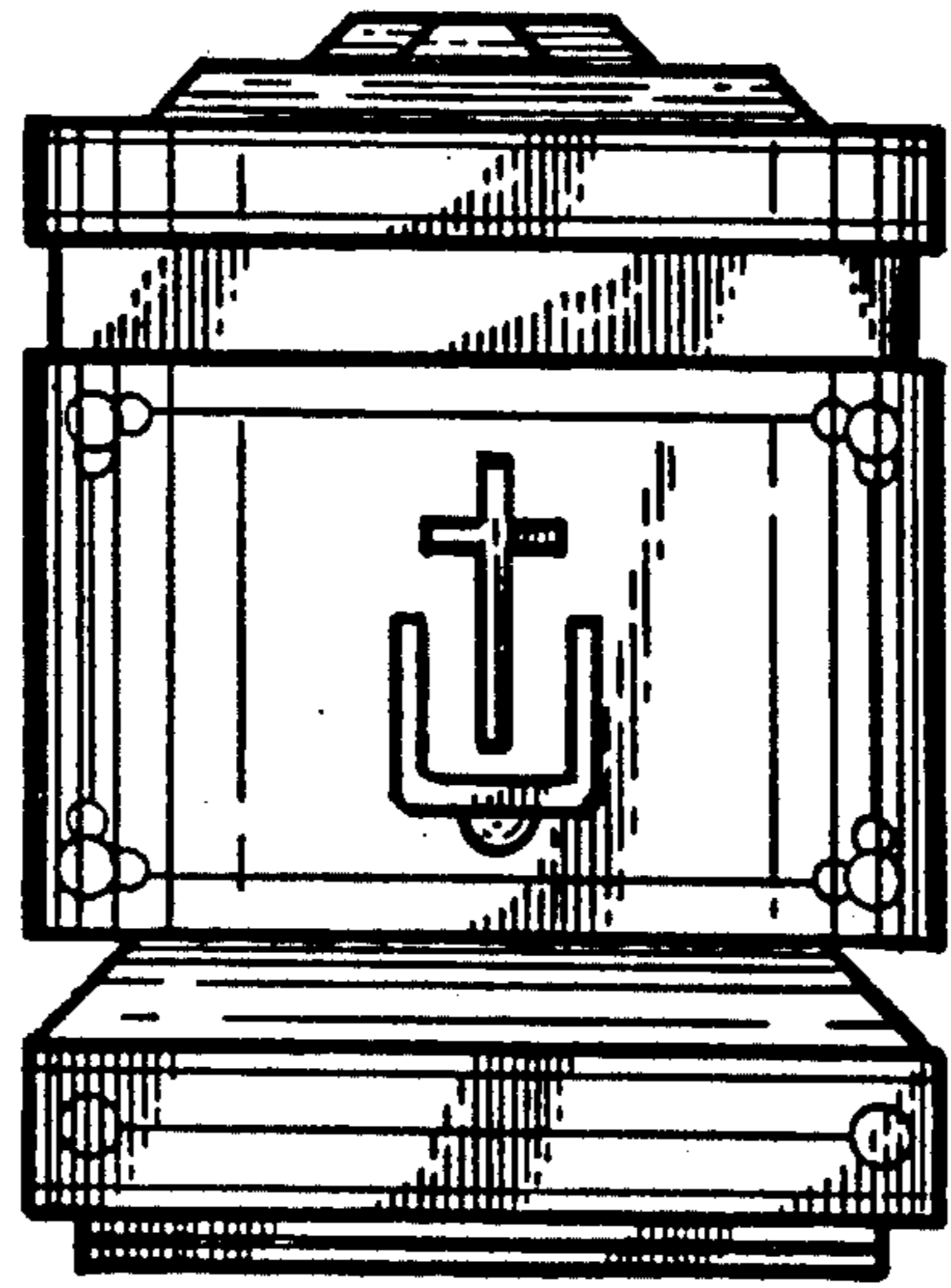


FIG. 2

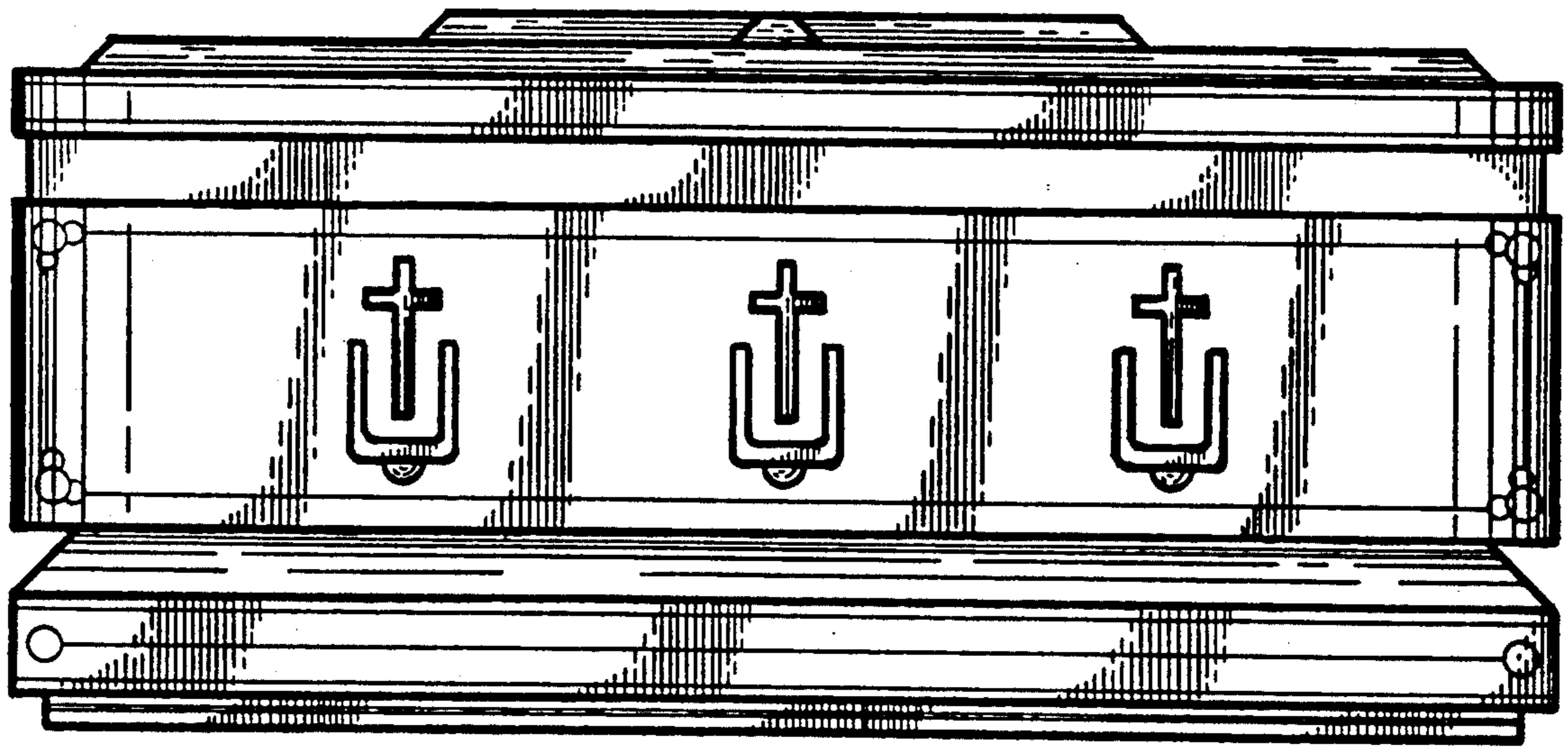


FIG. 3

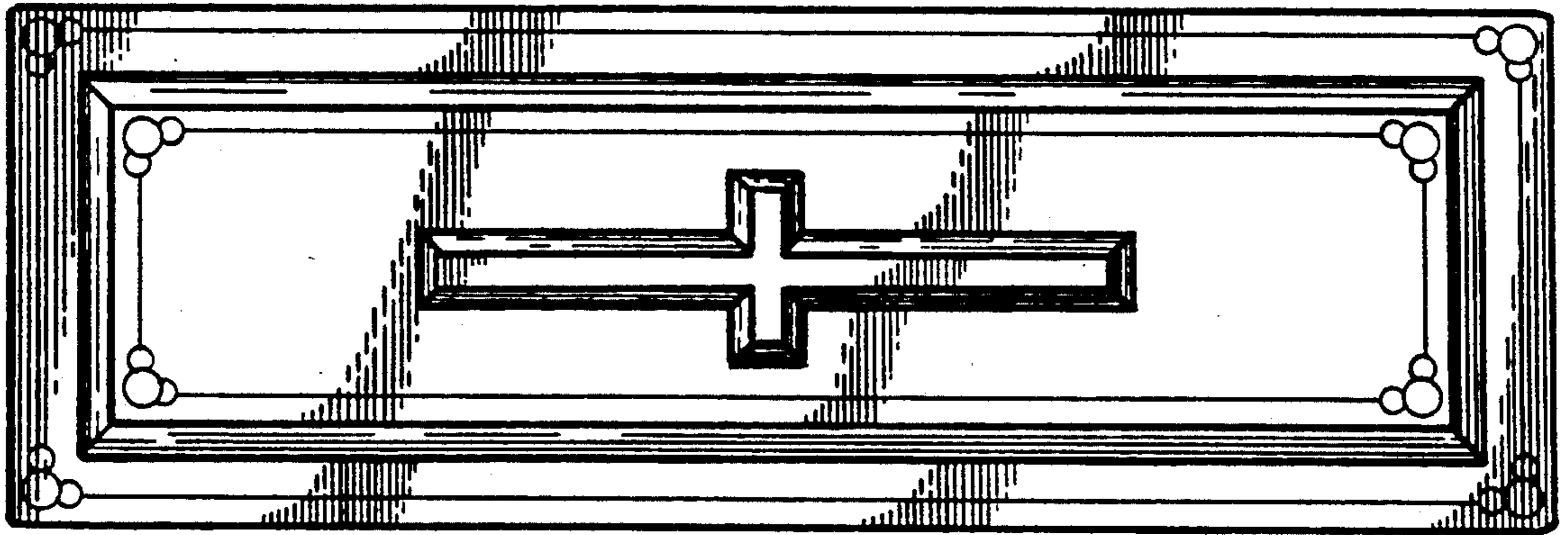


FIG. 4

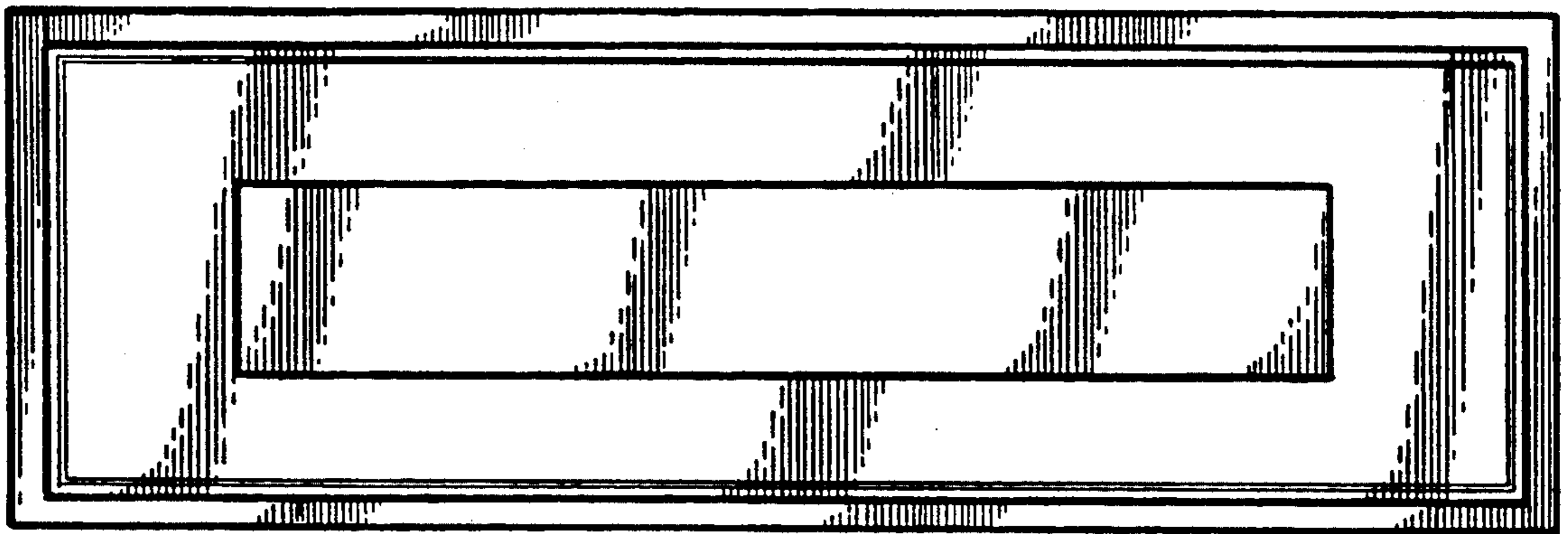


FIG. 5