



US00D333371S

**United States Patent** [19]  
**Schmidke**

[11] **Patent Number: Des. 333,371**  
[45] **Date of Patent: \*\* Feb. 16, 1993**

[54] **MOVABLE SKID LIFT**

[76] **Inventor: Thomas Schmidke, 26626 Dover, Redford, Mich. 48239**

[\*\*] **Term: 14 Years**

[21] **Appl. No.: 533,695**

[22] **Filed: Jun. 5, 1990**

[52] **U.S. Cl. .... D34/28**

[58] **Field of Search ..... D34/28; 280/47.27-47.29; 414/444, 469**

Economy Regal Brochure, Nov. 1988, p. 2, lift trucks, item B on right side.

Agile Equipment Distributors, Inc., 1972, p. 10, lift truck, item A in upper left hand corner.

*Primary Examiner*—Wallace R. Burke

*Assistant Examiner*—H. Baynham

*Attorney, Agent, or Firm*—Terry M. Gernstein

[57] **CLAIM**

The ornamental design for a movable skid lift, as shown and described.

[56] **References Cited**

**U.S. PATENT DOCUMENTS**

- D. 192,522 4/1962 Butorac ..... D34/31
- 2,605,117 7/1952 Hooz .
- 3,777,923 12/1973 Padgett .
- 3,939,999 2/1976 Neilson .

**OTHER PUBLICATIONS**

C&H Distributors Mar. 1988, p. 137, lift trucks, item B in lower right hand corner.

C&H Distributors, Mar. 1988, p. 141, pallet truck, item A in lower right hand corner.

**DESCRIPTION**

FIG. 1 is a perspective view of a movable skid lift showing my new design;

FIG. 2 is a side elevational view with the opposite side being a mirror image thereof;

FIG. 3 is a front elevational view thereof;

FIG. 4 is a rear elevational view thereof;

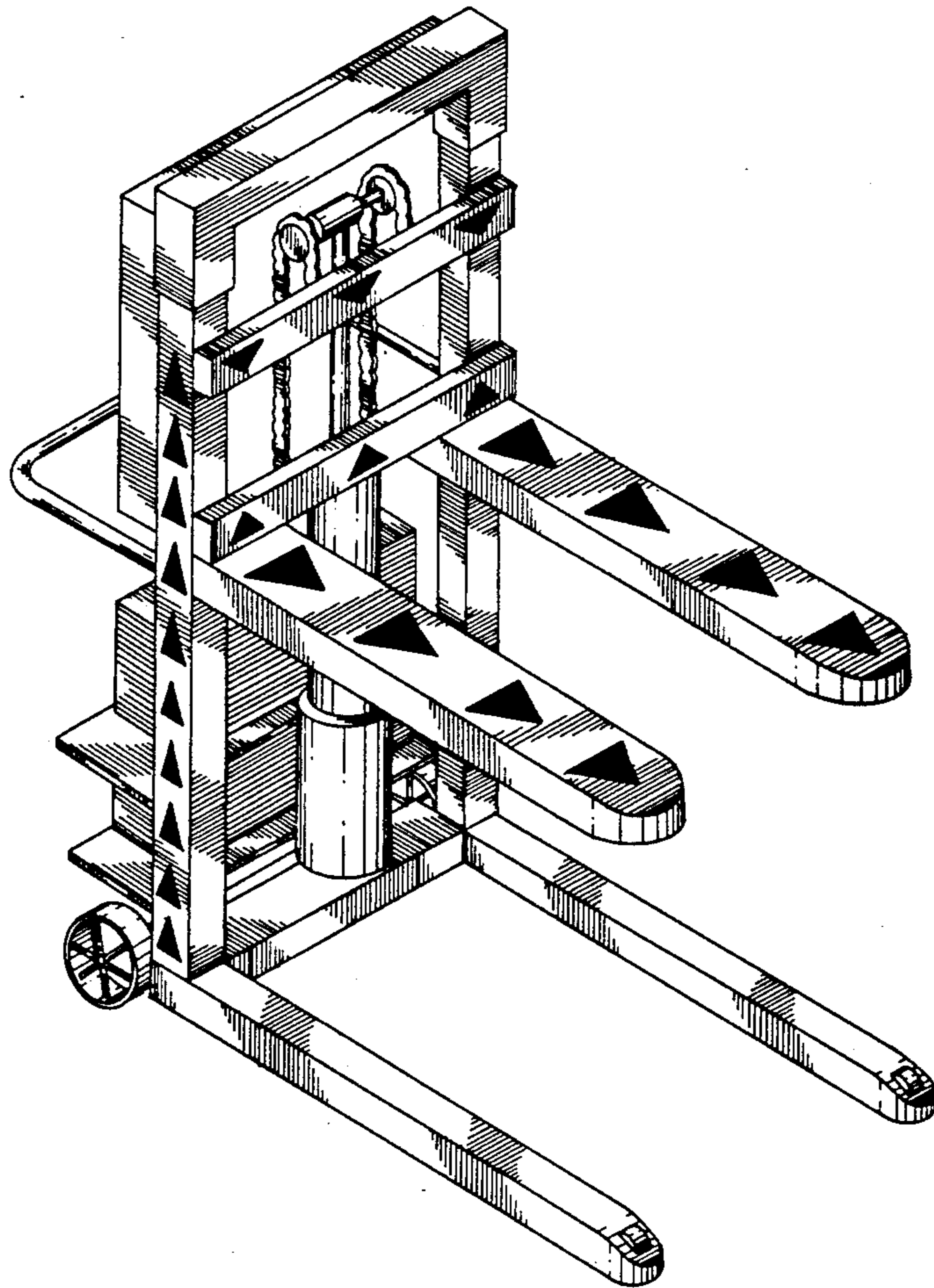
FIG. 5 is a top plan view thereof;

FIG. 6 is a bottom plan view thereof;

FIG. 7 is a perspective view of a second embodiment of the design shown in FIG. 1;

FIG. 8 is a side elevational view thereof; and,

FIG. 9 is an opposite side elevational view thereof.



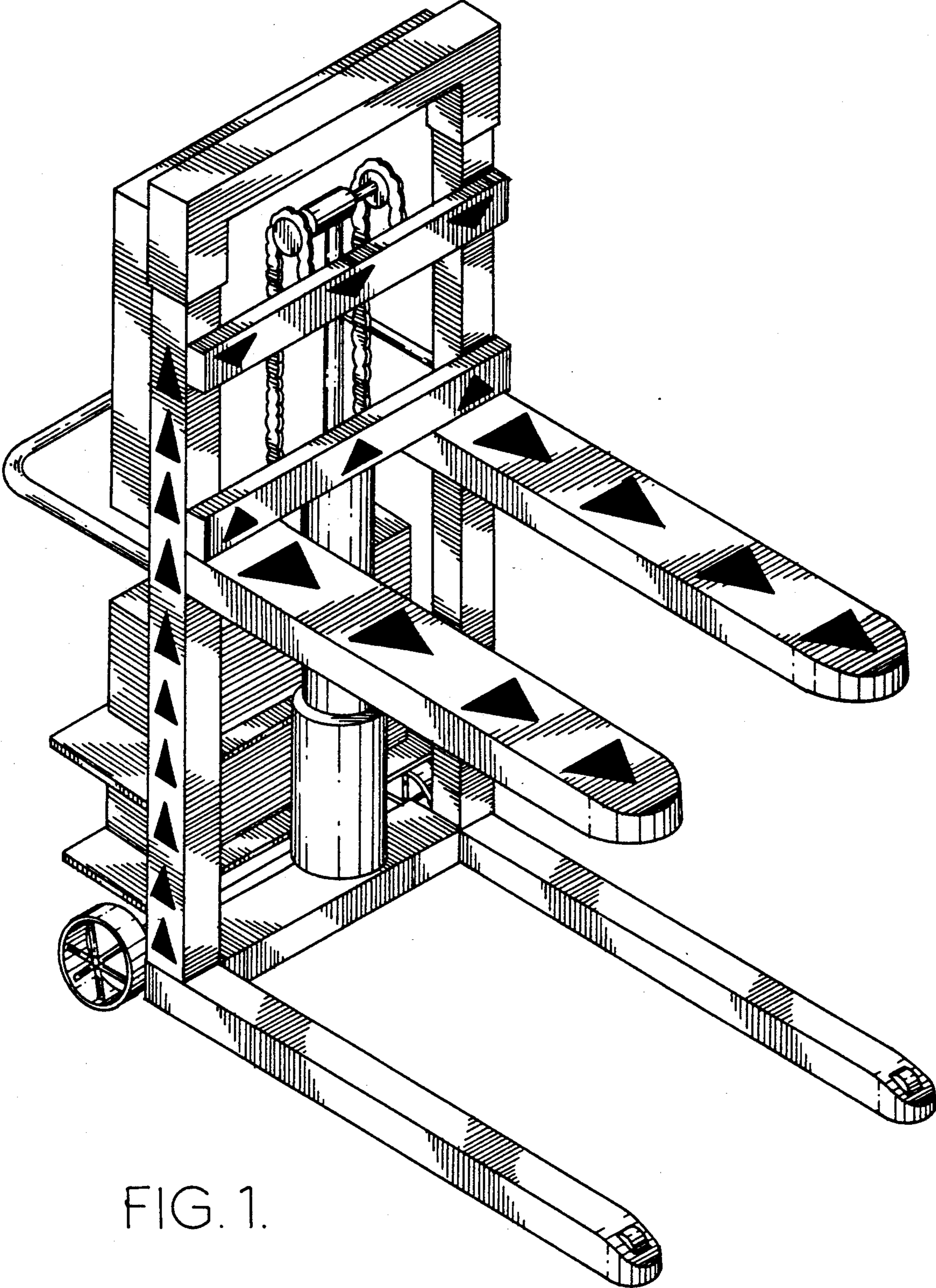


FIG. 1.



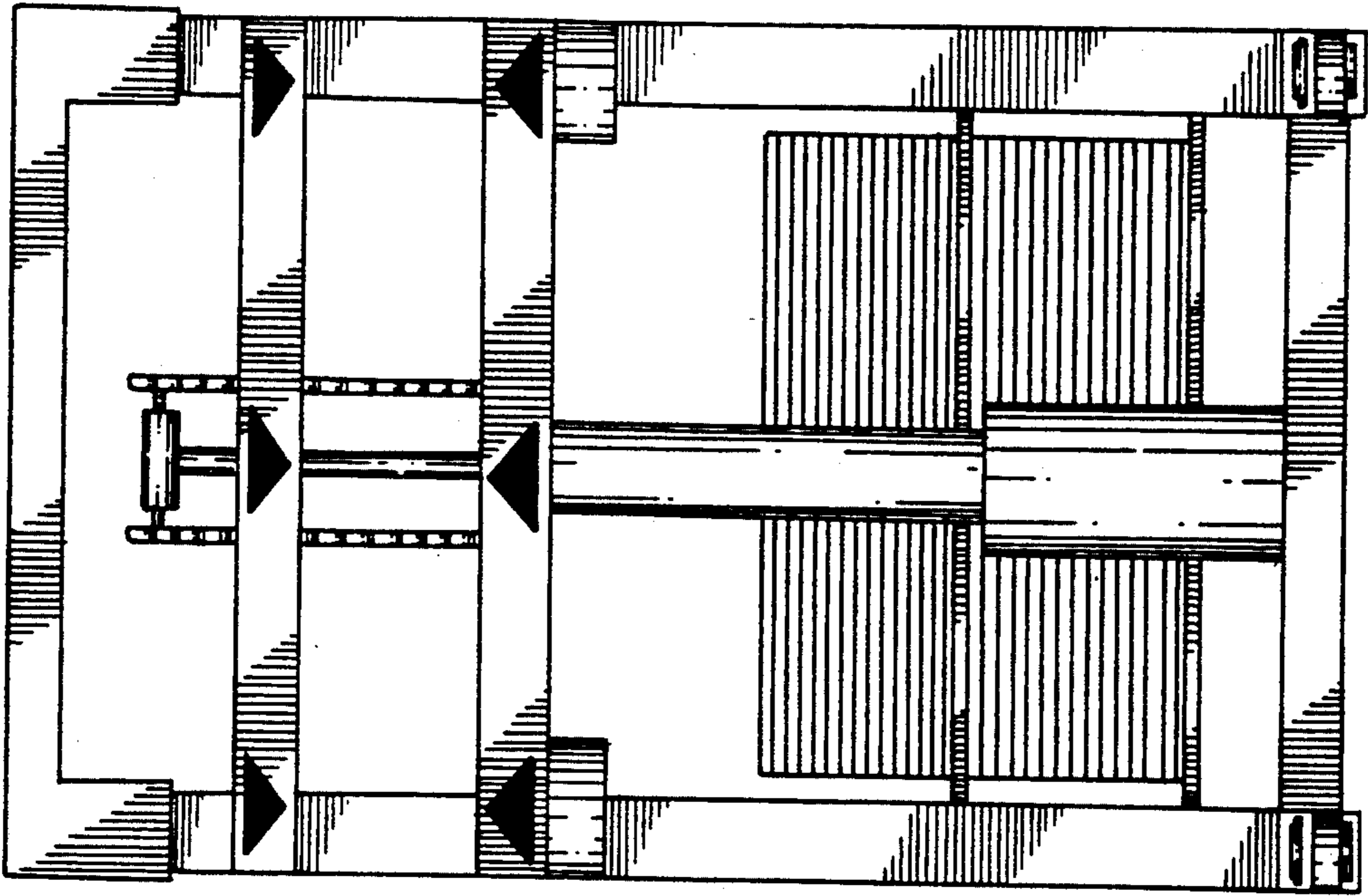


FIG. 3.

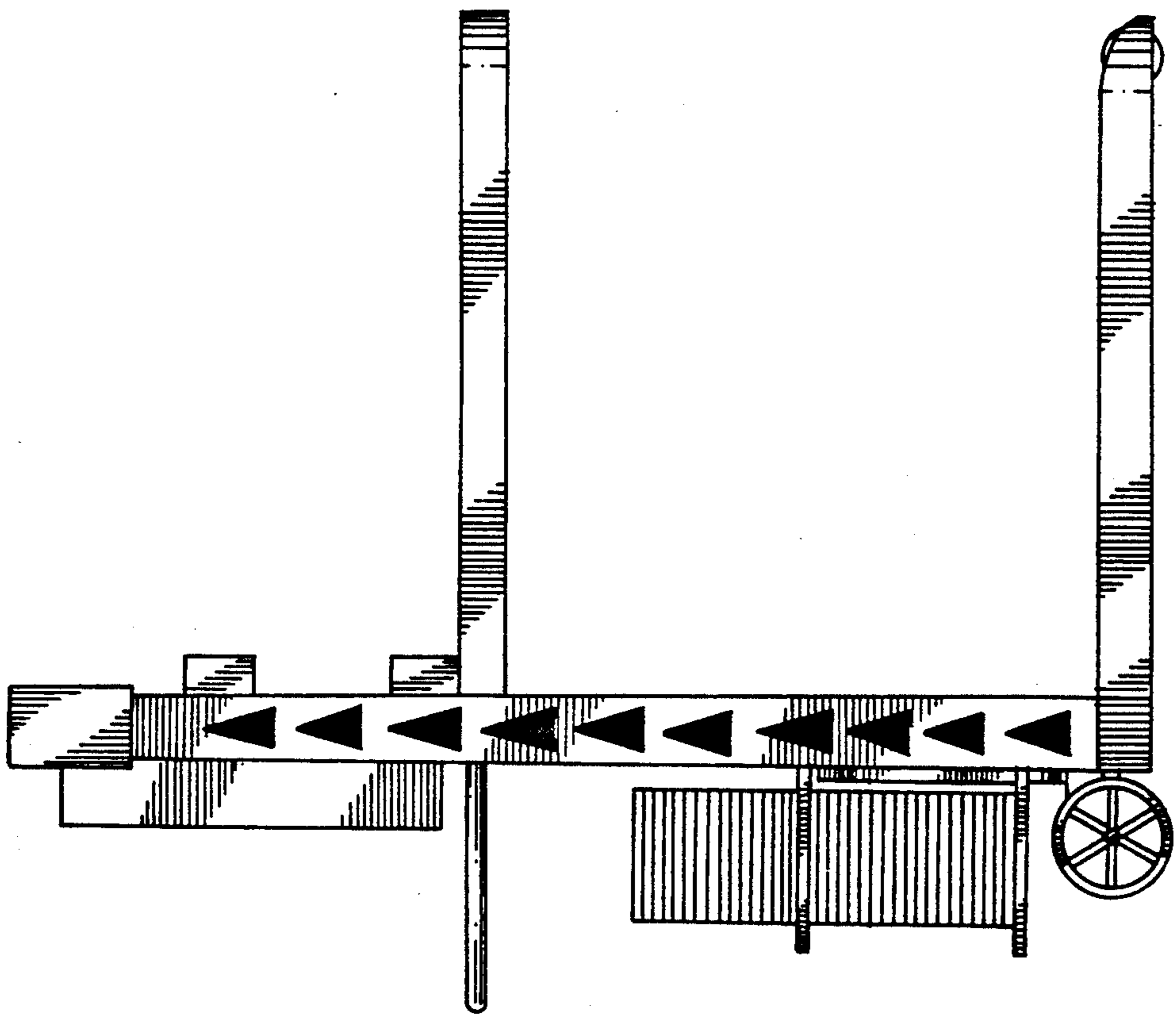


FIG. 2.

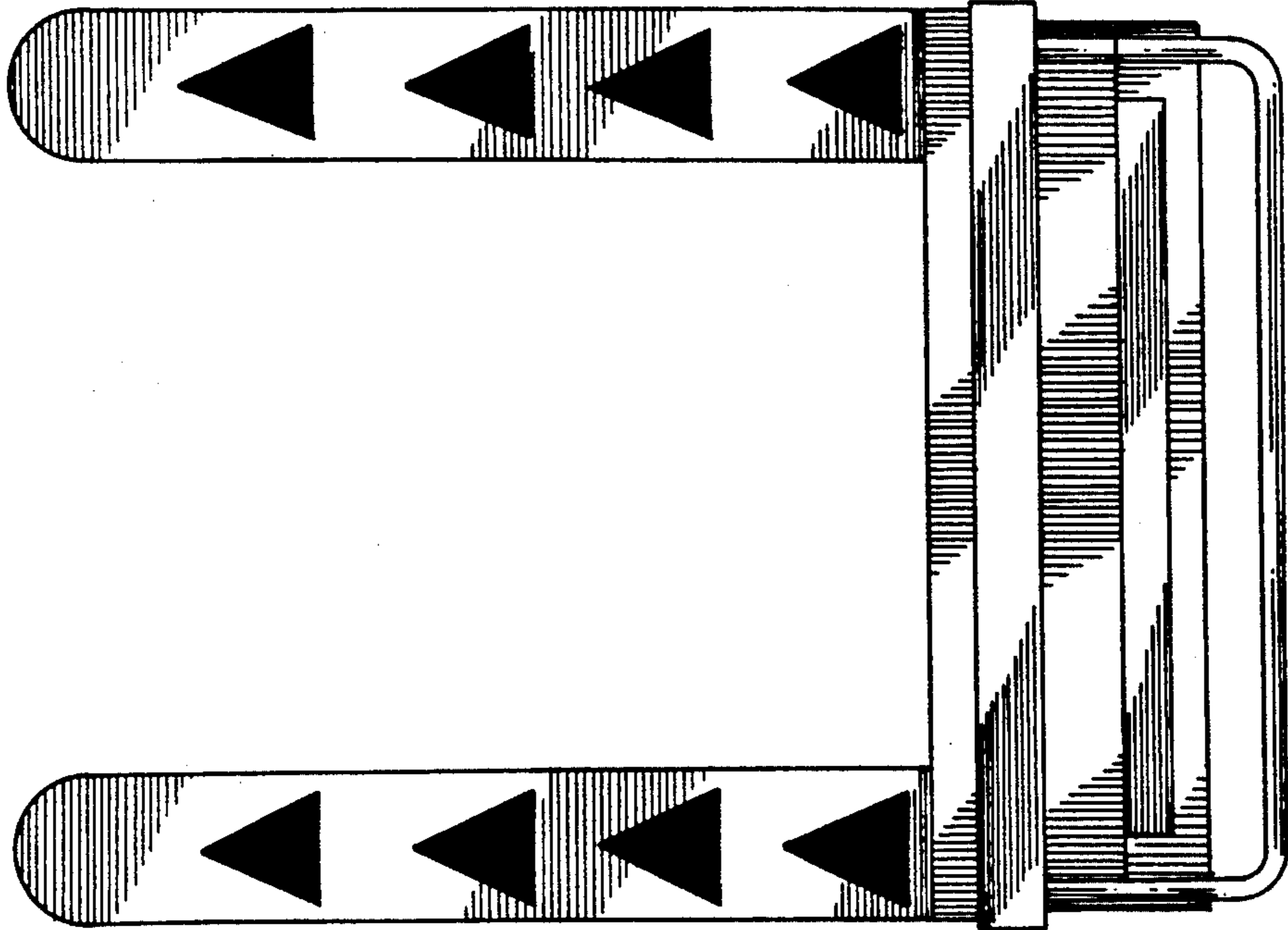


FIG. 5.

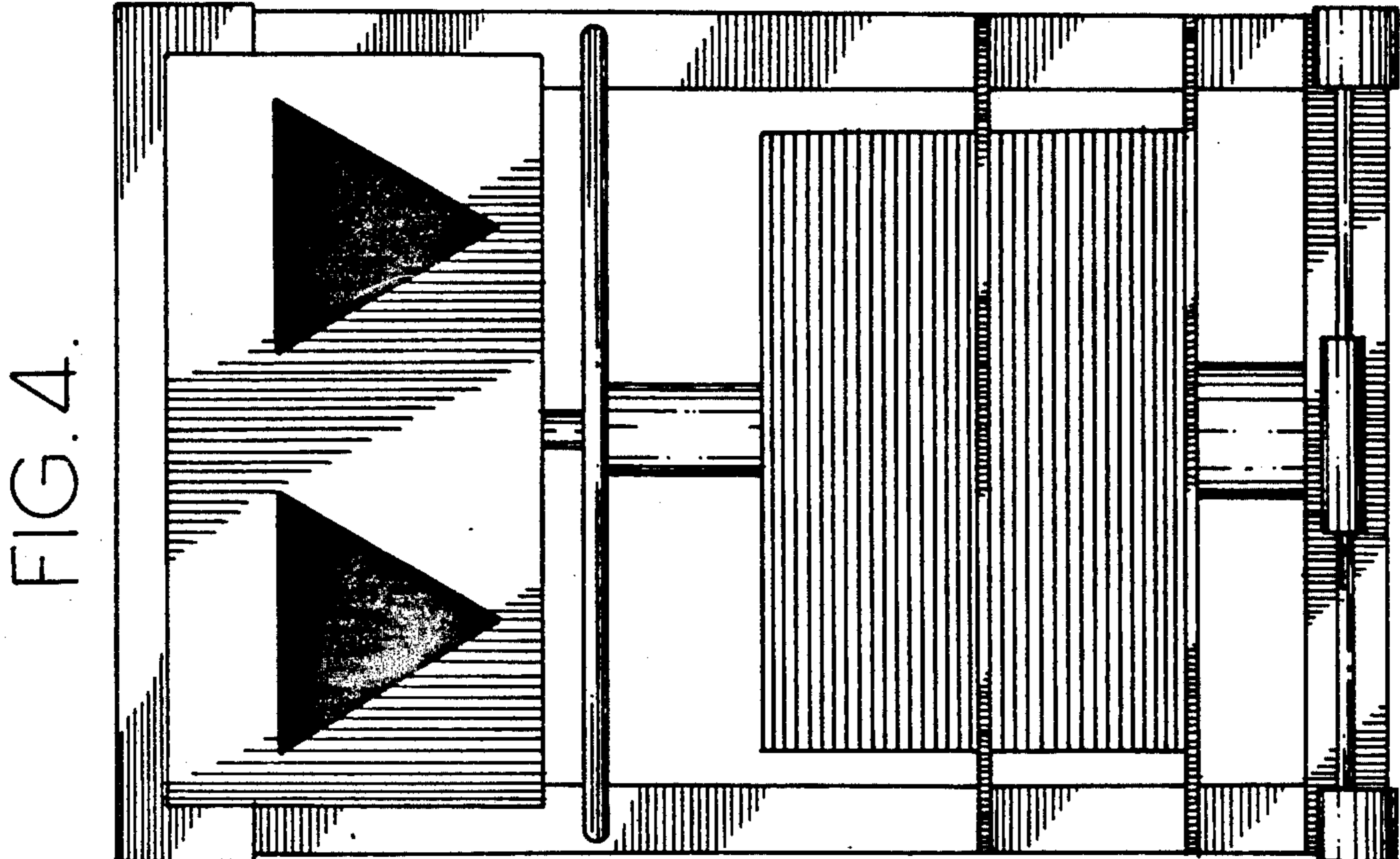


FIG. 4.

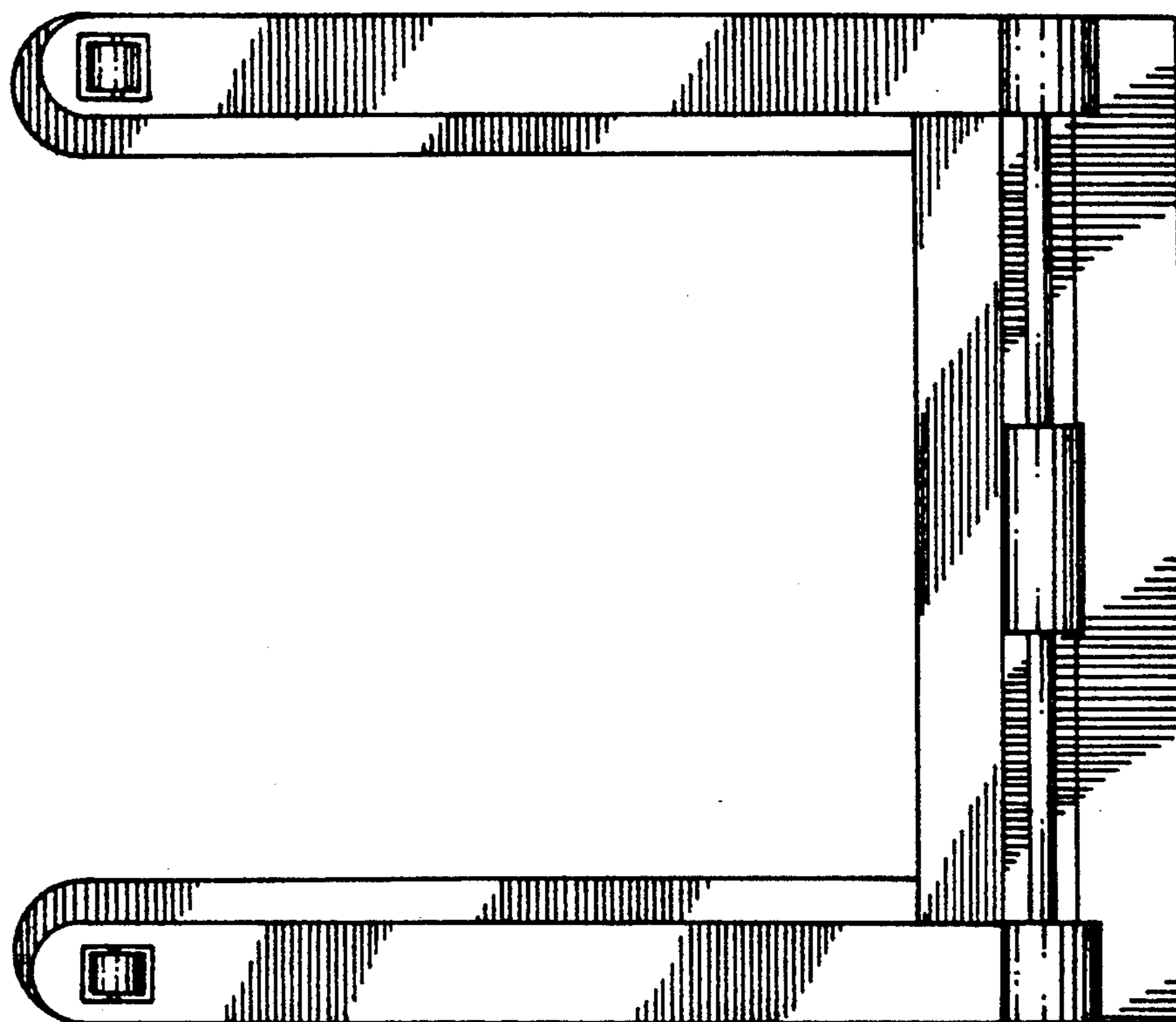


FIG. 6.

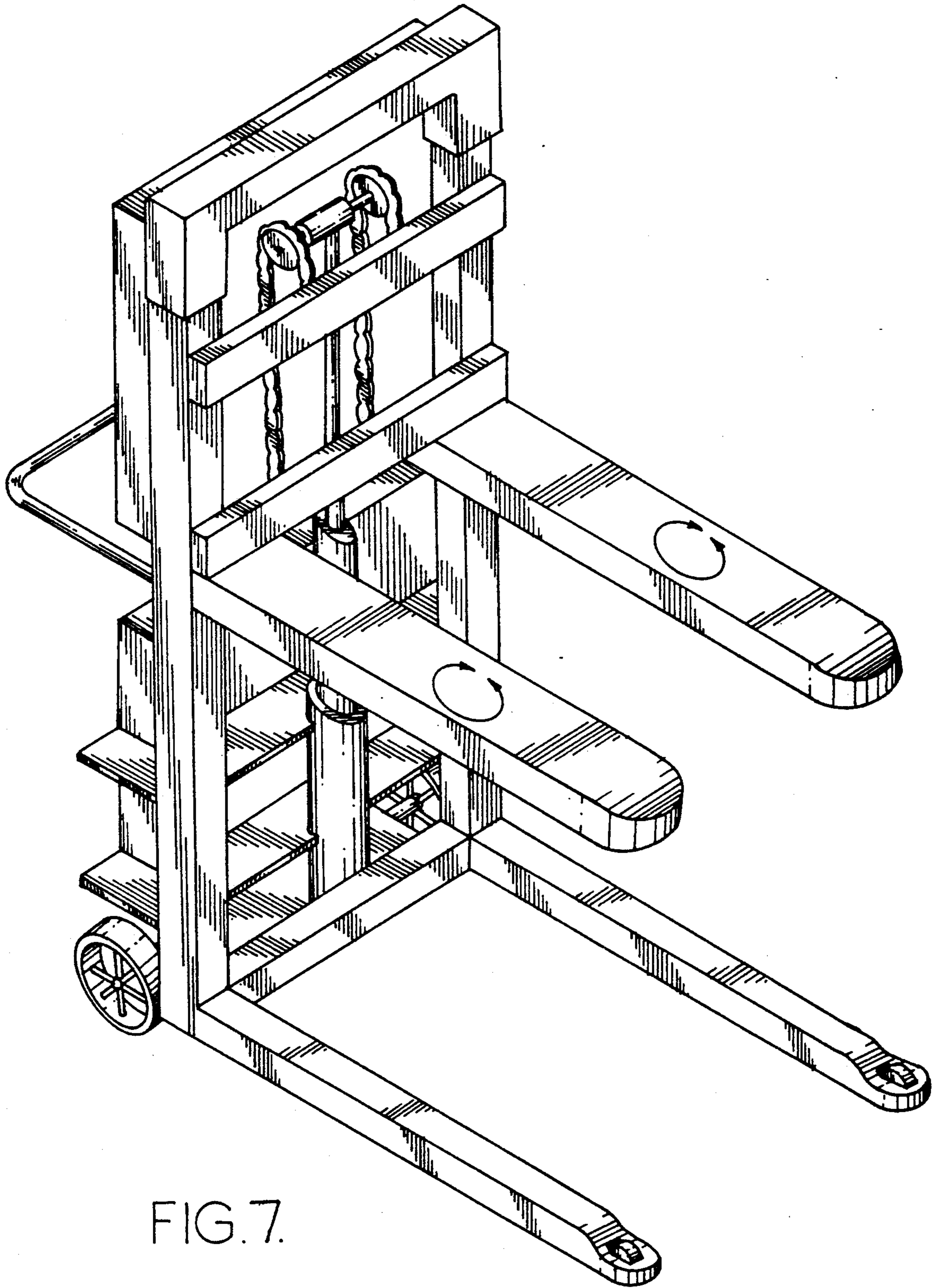


FIG. 7.



