



US00D333369S

United States Patent [19]

[11] Patent Number: **Des. 333,369**

Breen et al.

[45] Date of Patent: **** Feb. 16, 1993**

[54] **RECYCLING CONTAINER FOR MOUNTING TO A WASTEBASKET**

[75] Inventors: **John D. Breen, Wooster; Thomas Scherer, Mansfield, both of Ohio**

[73] Assignee: **Rubbermaid Office Products Group Inc., Inglewood, Calif.**

[**] Term: **14 Years**

[21] Appl. No.: **767,935**

[22] Filed: **Sep. 30, 1991**

[52] U.S. Cl. **D34/10; D34/1**

[58] Field of Search **D34/1-11; 220/908, 909, 23.83, 23.4, 23.86**

4,940,159	7/1990	Callas et al.	220/404
5,033,641	7/1991	Martin	220/909
5,071,008	12/1991	Hradisky	206/507
5,097,975	3/1992	Waterston et al.	220/23.83
5,111,951	5/1992	Breen et al.	220/23.4
5,129,535	7/1992	Hradisky	220/23.4

OTHER PUBLICATIONS

Pp. 9 and 10, Waste Basket, Eldon Office Products, Eldon Industries, 1130 East 230th Street, Carson, Calif. 90745. Publication date 1989.

Pp. 15-17, Waste Baskets, Rubbermaid Incorporated, Office Products Division, Wooster, Ohio 44691. Publication data 1990.

Primary Examiner—Kay H. Chin

Attorney, Agent, or Firm—O'Planick Richard B.

[56] References Cited

U.S. PATENT DOCUMENTS

D. 261,720	11/1981	Brazis	D34/9
D. 280,459	9/1985	McClelland	D34/8
D. 281,111	10/1985	McClelland	D34/8
D. 319,905	9/1991	Hotchkiss	D34/9
D. 321,576	11/1991	Hradisky	D34/8
D. 322,350	12/1991	Craft et al.	D34/9
D. 324,122	2/1992	Brüssing	D34/1
D. 326,343	5/1992	Hradisky	D34/7
D. 326,754	6/1992	Hradisky	D34/7
992,006	5/1911	Kubersky et al. .	
2,736,454	2/1956	McConnell	220/20
3,720,346	3/1973	Cypher et al.	220/22.3
3,893,615	7/1975	Johnson	232/43.2
3,904,218	9/1975	Kostie	28/79.2
4,161,252	7/1979	Howells	211/126
4,834,262	5/1989	Reed	220/404
4,854,466	8/1989	Lane, Jr.	220/23.86
4,867,328	9/1989	McCarthy	220/1

[57] CLAIM

The ornamental design for recycling container for mounting to a wastebasket, as shown and described.

DESCRIPTION

FIG. 1 is a front elevational view of a recycling container for mounting to a wastebasket showing our new design, the rear elevational view being a mirror image of that shown;

FIG. 2 is a left side elevational view thereof;

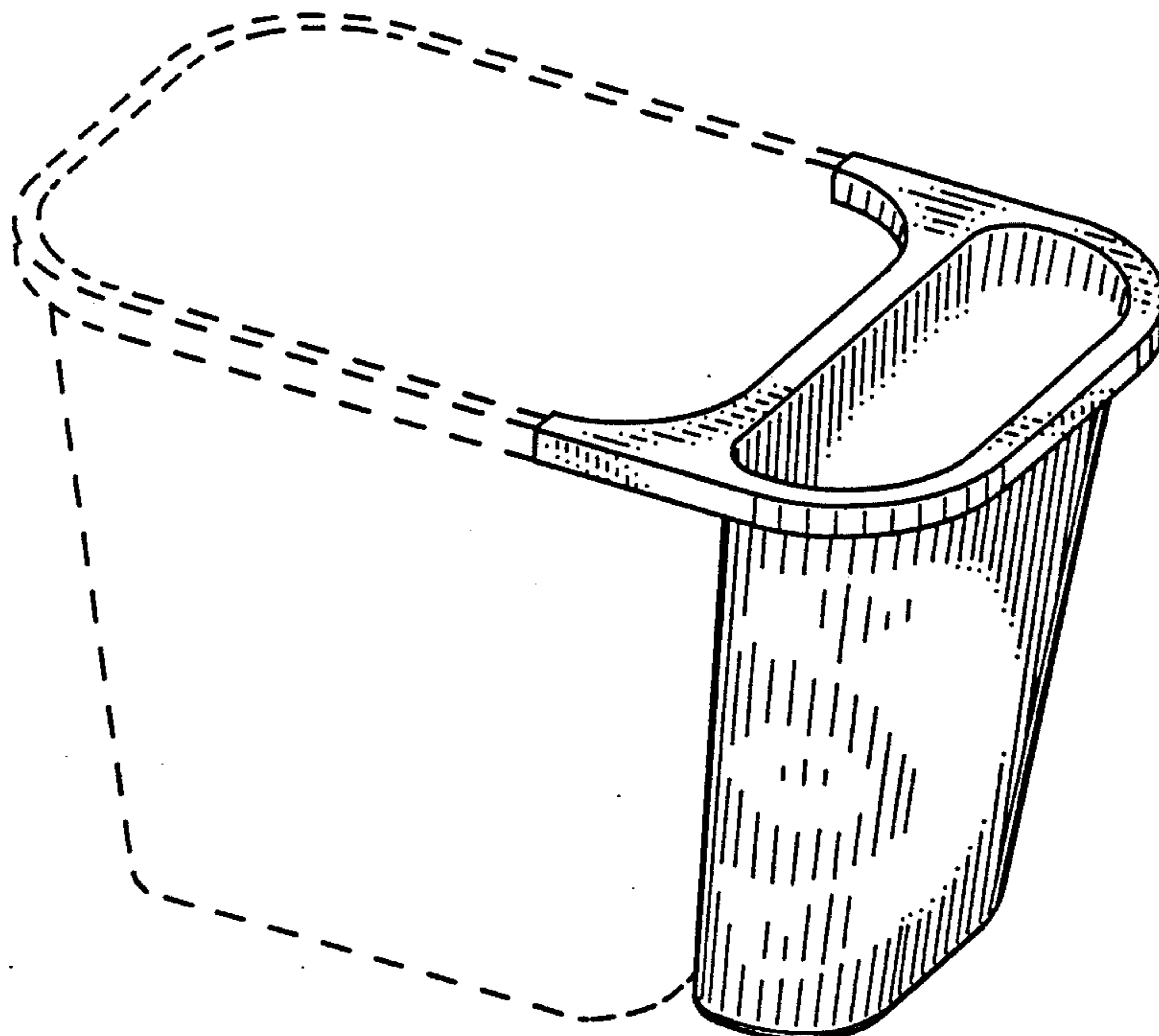
FIG. 3 is a right side elevational view thereof;

FIG. 4 is a top plan view thereof;

FIG. 5 is a bottom plan view thereof;

FIG. 6 is a top perspective view thereof showing the container placed in the interior of a wastebasket, the broken lines are for illustrative purposes only; and,

FIG. 7 is a top perspective view thereof showing the container placed on the exterior of a wastebasket.



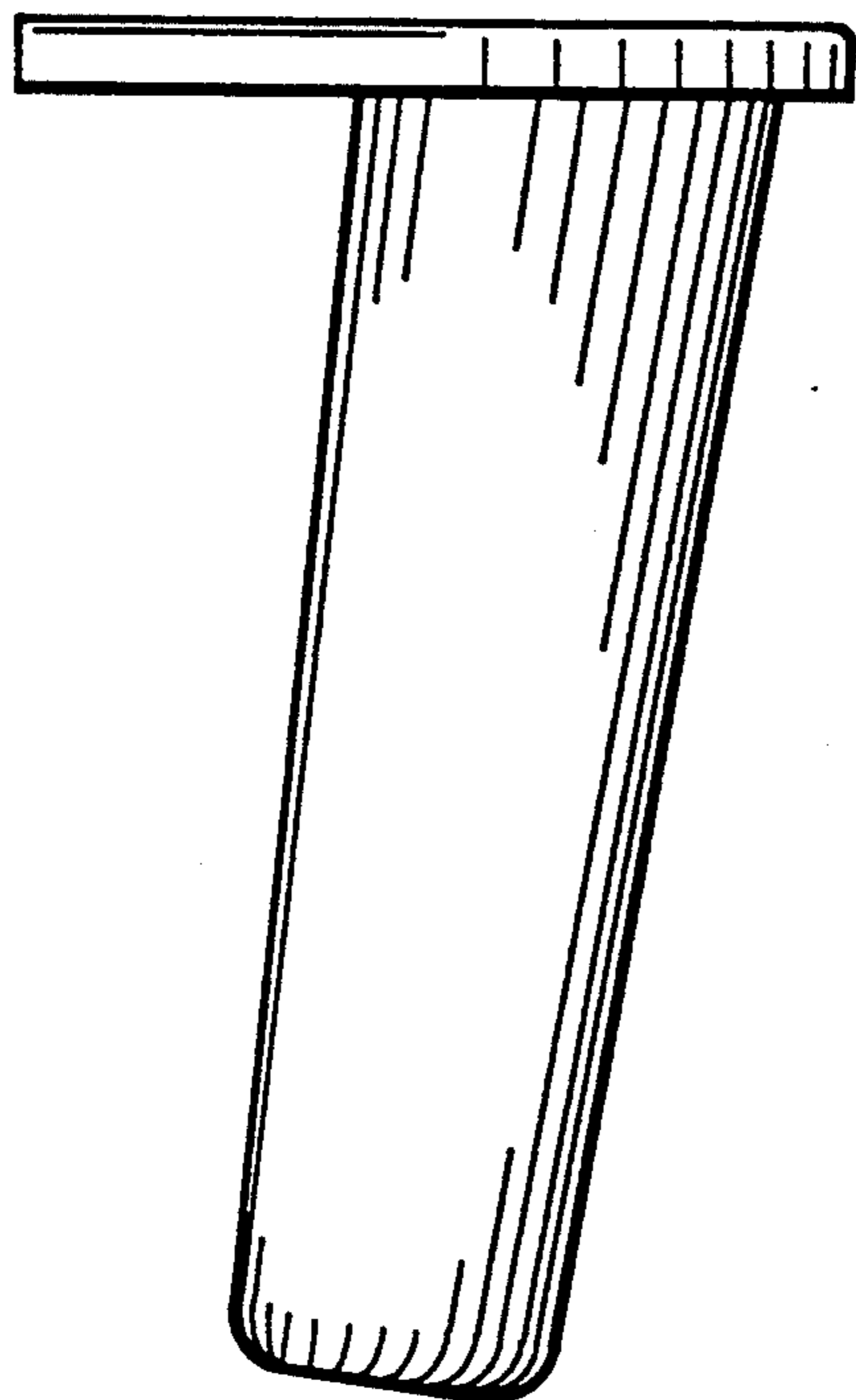


FIG 1

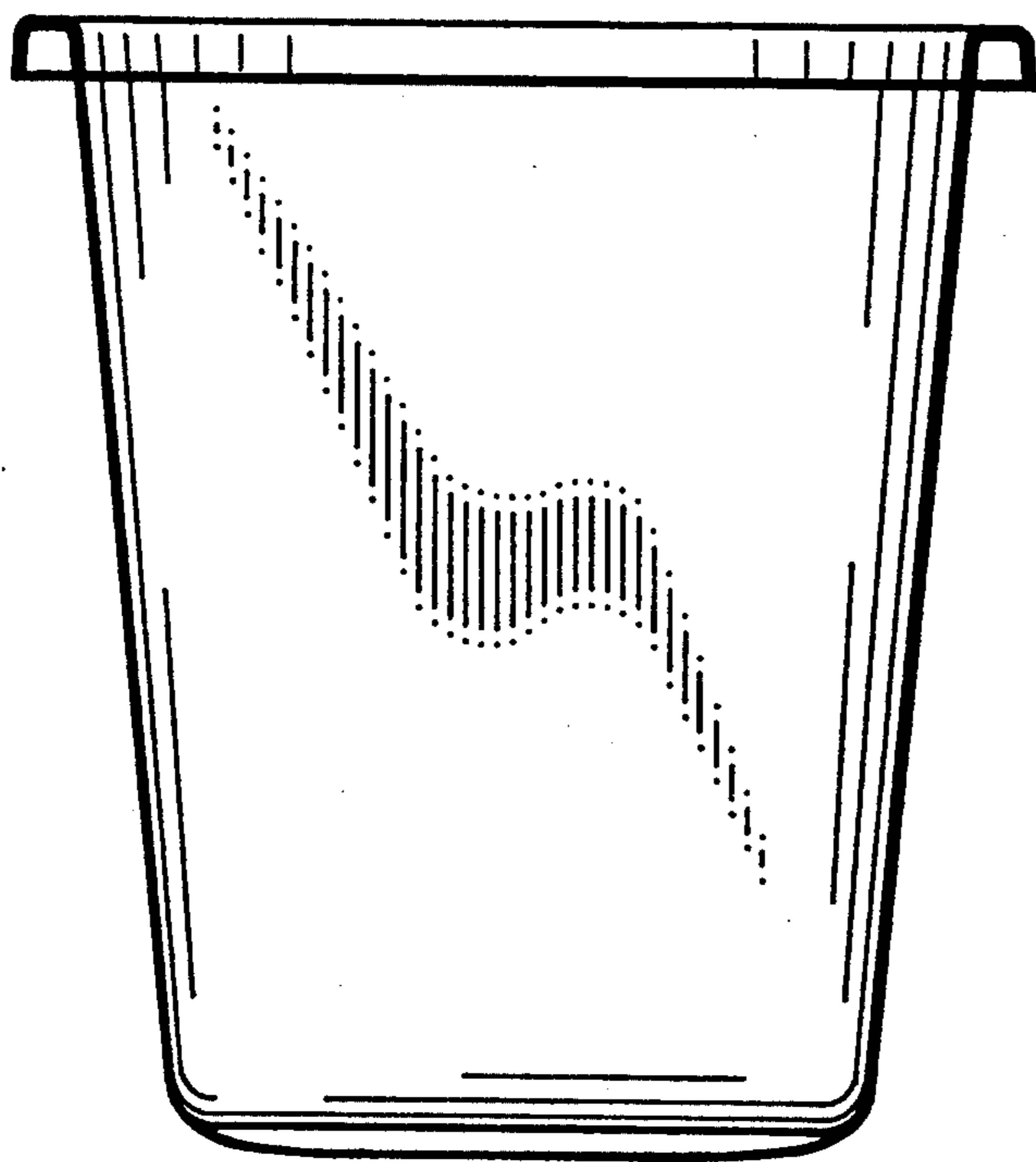


FIG 2

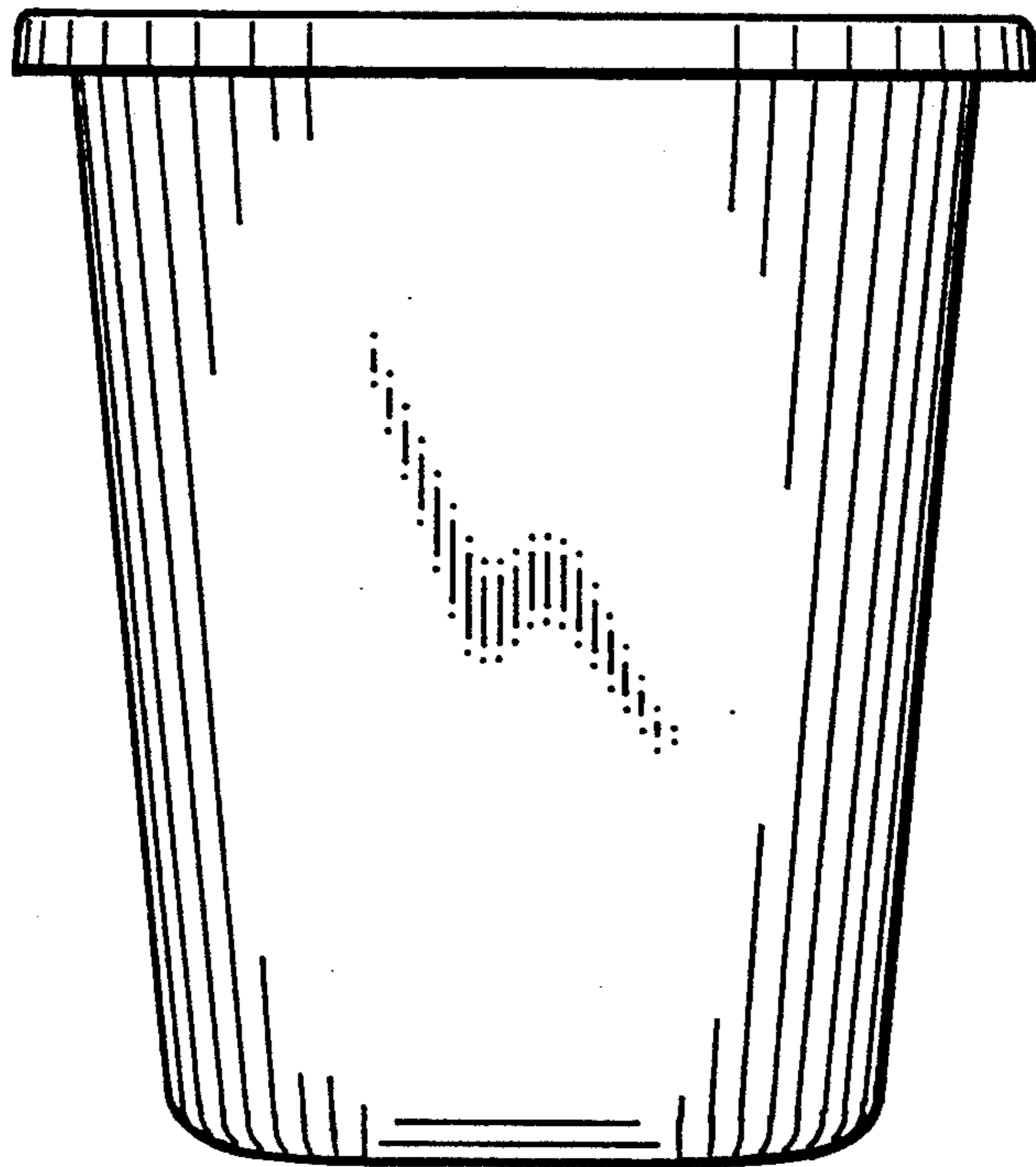


FIG 3

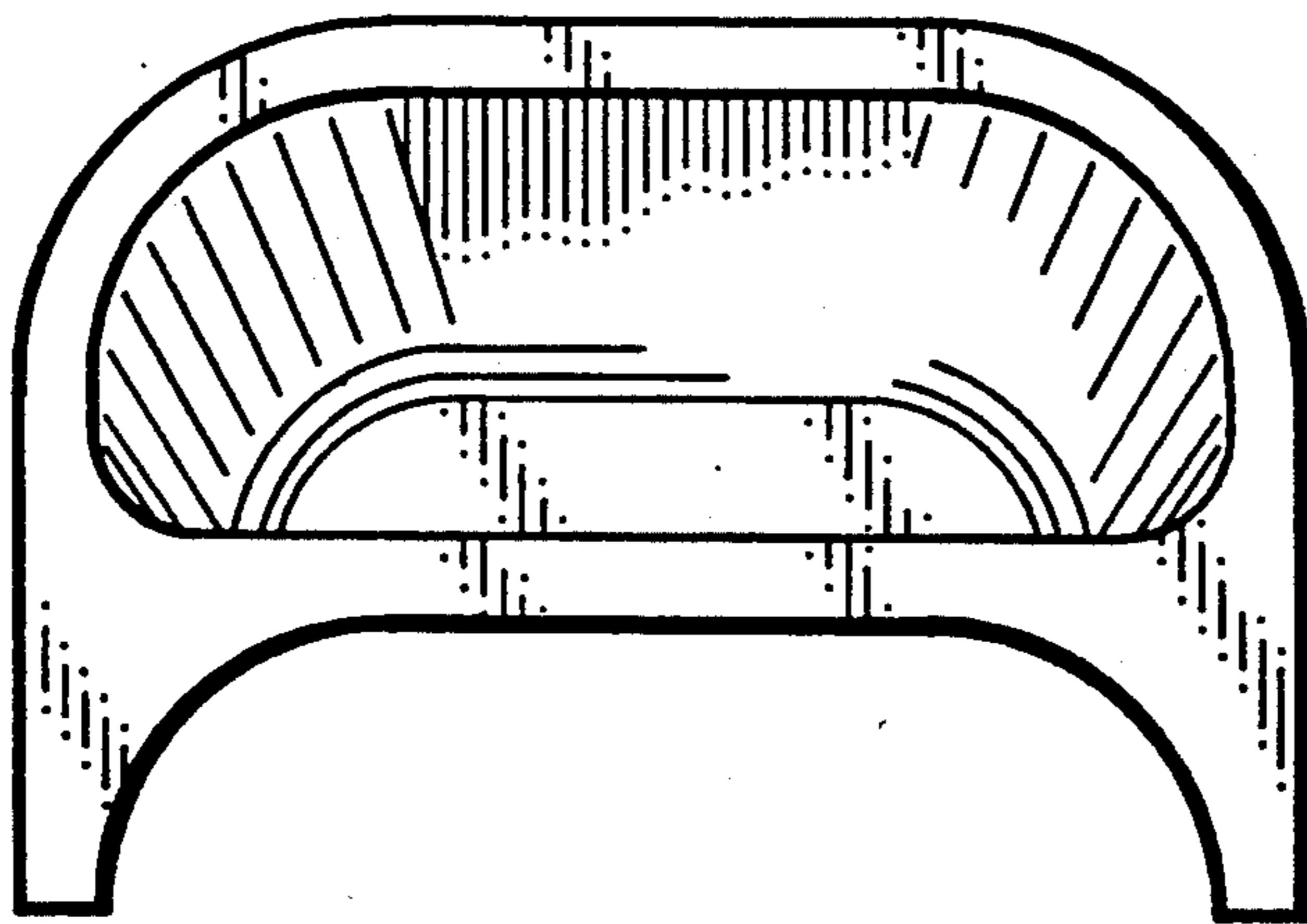


FIG 4

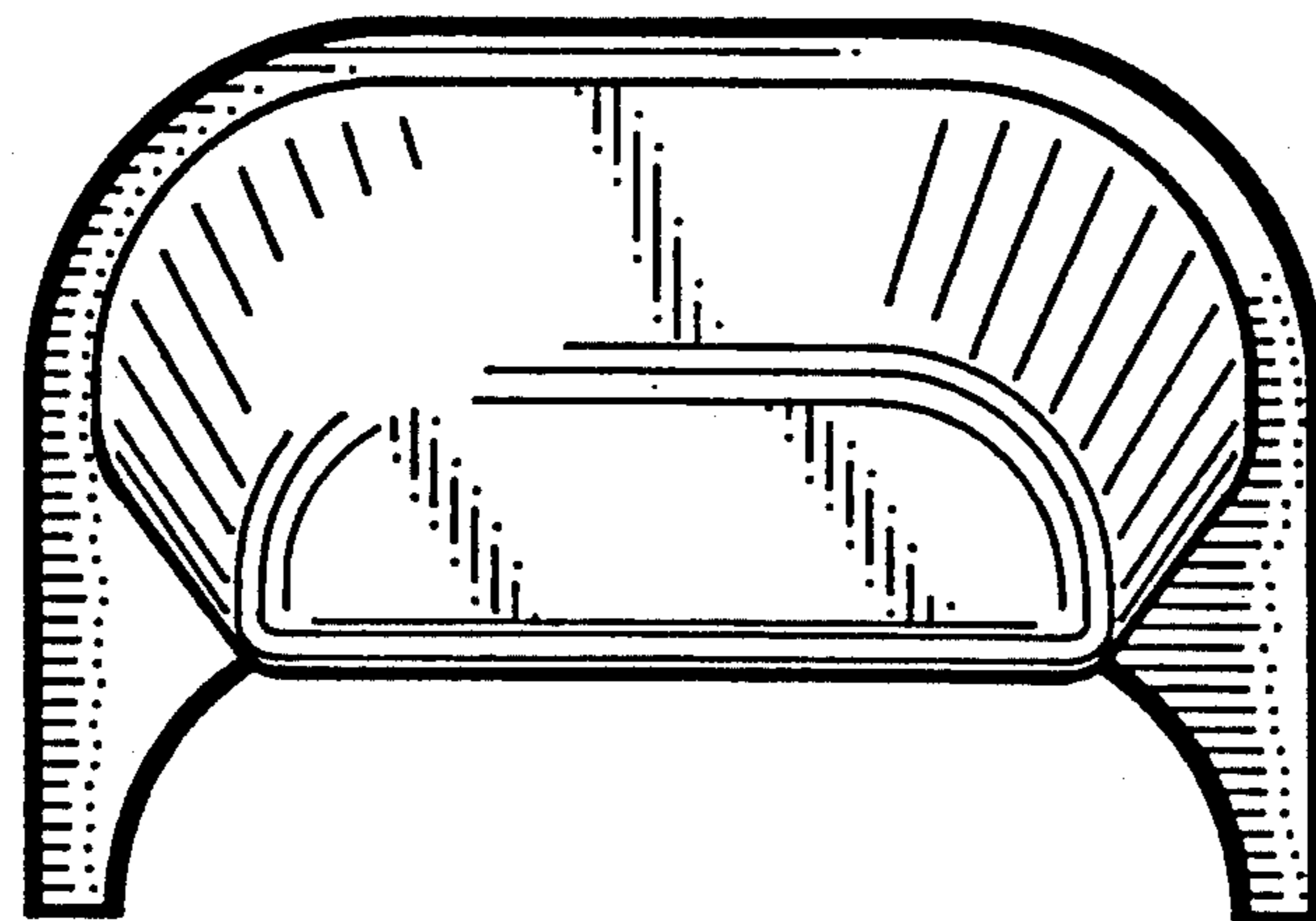


FIG 5

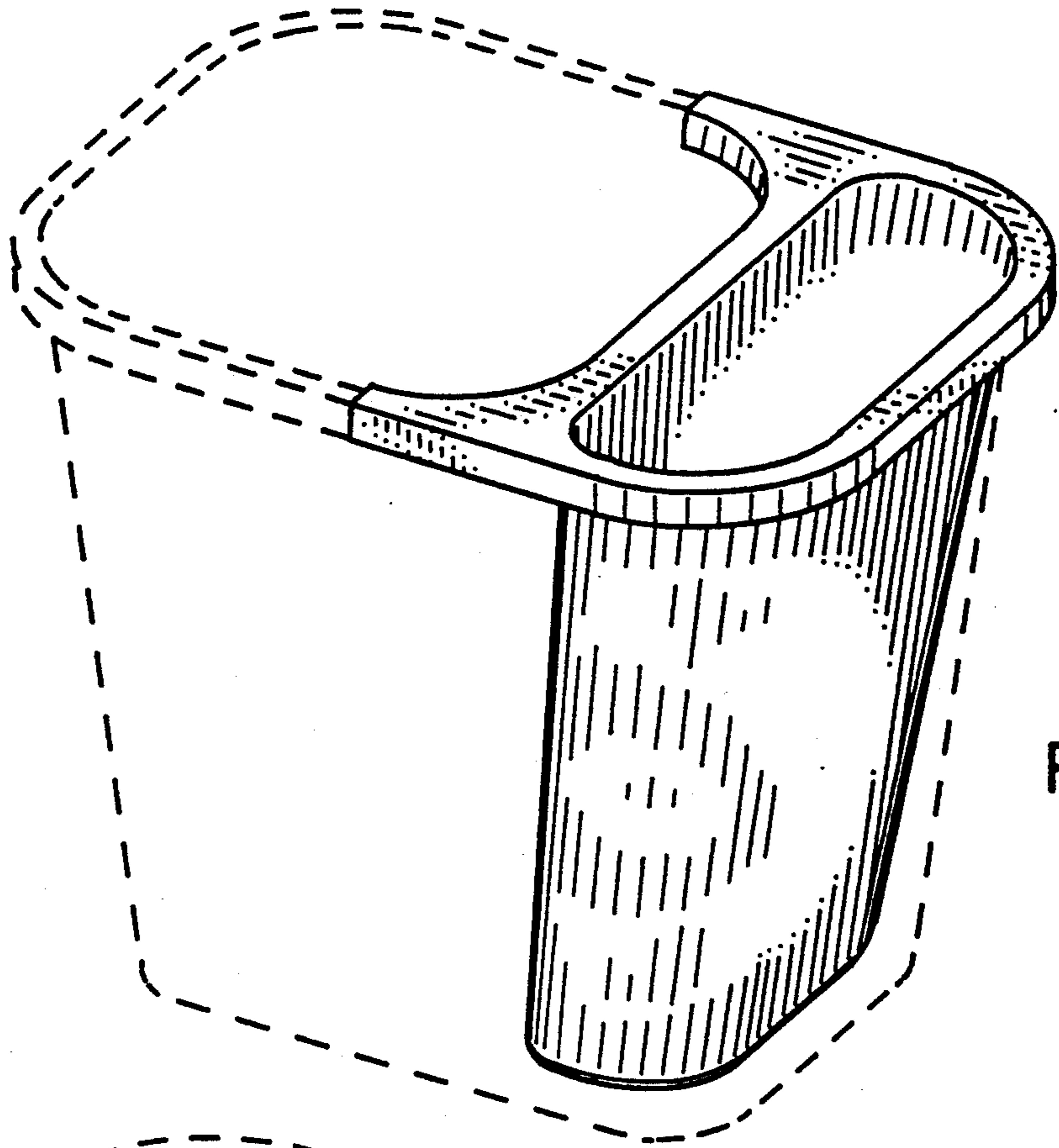


FIG 6

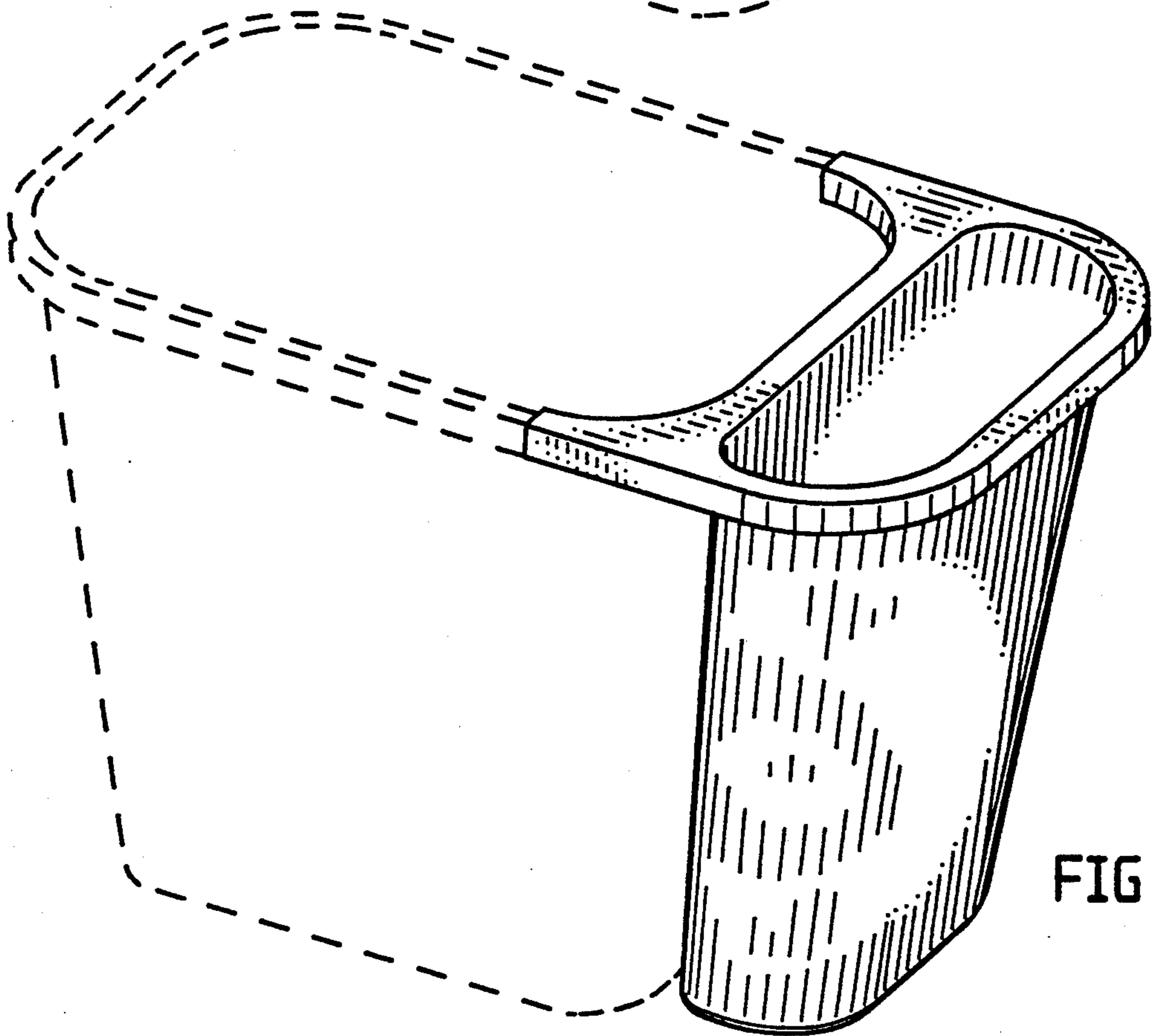


FIG 7