



US00D333363S

# United States Patent [19]

[11] Patent Number: **Des. 333,363**

Lee

[45] Date of Patent: **\*\* Feb. 16, 1993**

## [54] WALL PLATE FOR A LIGHTING FIXTURE

[75] Inventor: **Jason Lee, Vancouver, Canada**

[73] Assignee: **The L. D. Kichler Co., Cleveland, Ohio**

[\*\*] Term: **14 Years**

[21] Appl. No.: **668,439**

[22] Filed: **Mar. 12, 1991**

[52] U.S. Cl. .... **D26/142**

[58] Field of Search ..... **D26/142, 143, 144, 72, D26/80-92; D8/353; 362/147, 432**

## [56] References Cited

### PUBLICATIONS

Emerson Electric Imperialites Catalog, ©1967, p. 63, Wall Lamp #L1126.

The L. D. Kichler Co. Catalog No. 789 pp. 81 and 83, (1989).

*Primary Examiner*—Susan J. Lucas

*Attorney, Agent, or Firm*—Watts, Hoffmann, Fisher & Heinke

## [57] CLAIM

The ornamental design for a wall plate for a lighting fixture, as shown and described.

## DESCRIPTION

FIG. 1 is a front perspective view of a wall plate for a lighting fixture showing my new design;

FIG. 2 is a front elevational view thereof on a reduced scale;

FIG. 3 is a top plan view thereof on a reduced scale, the bottom being a mirror image;

FIG. 4 is an end elevational view thereof on a reduced scale, the opposite end being a mirror image;

FIG. 5 is a rear elevational view thereof on a reduced scale;

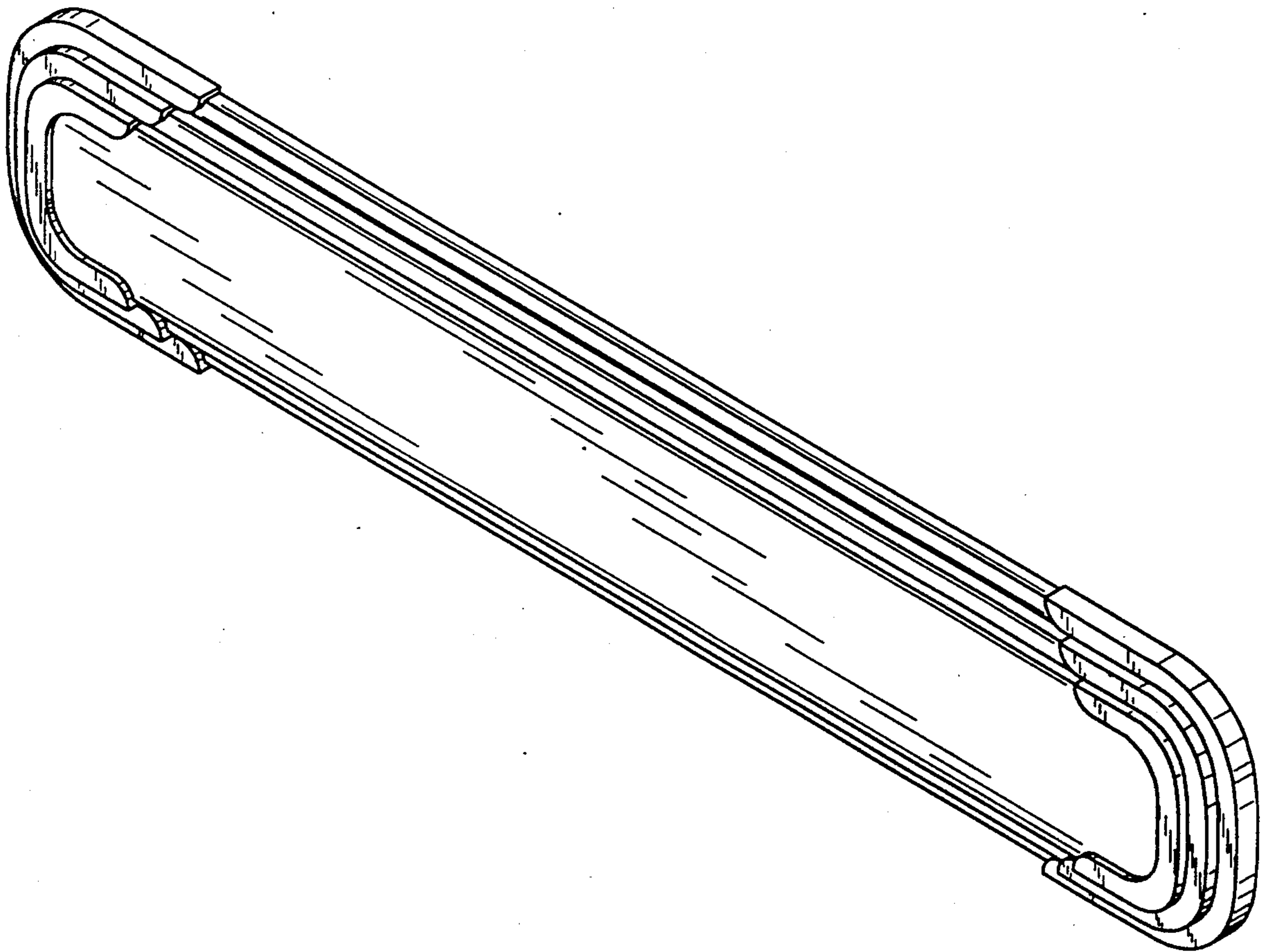
FIG. 6 is a front elevational view of a second embodiment of my new design on a reduced scale;

FIG. 7 is a top plan view thereof on a reduced scale, the bottom being a mirror image;

FIG. 8 is a front elevational view of a third embodiment of my new design on a reduced scale; and,

FIG. 9 is a top plan view thereof on a reduced scale, the bottom being a mirror image.

The ends and the rear surfaces of the second and third embodiments are identical to those of the first as shown in FIGS. 4 and 5.



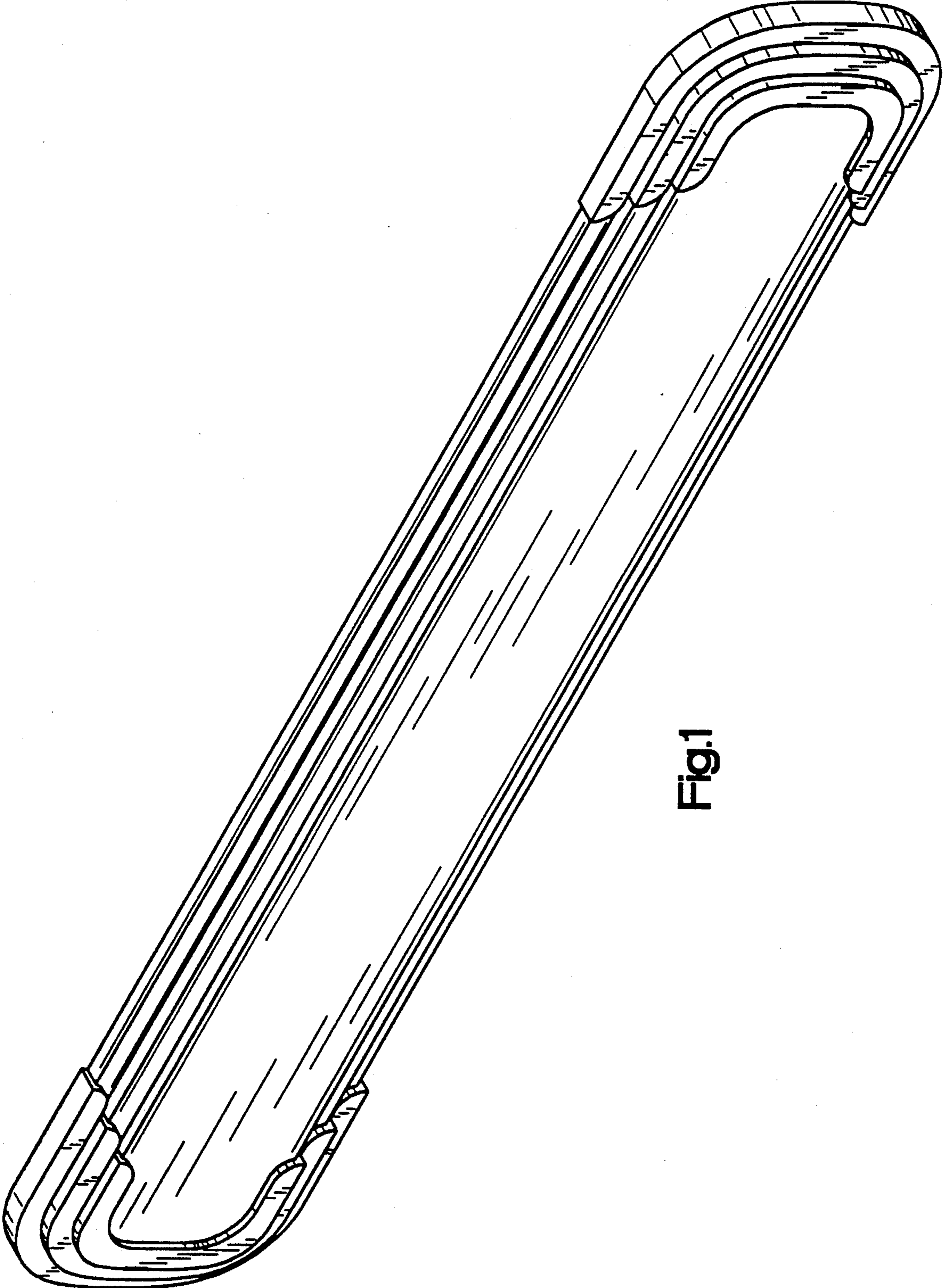


Fig.1



Fig.4

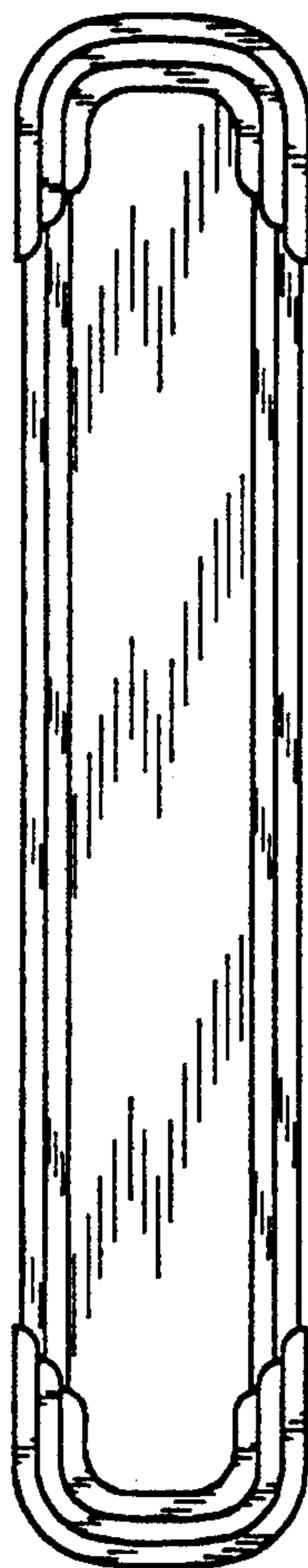


Fig.2



Fig.3

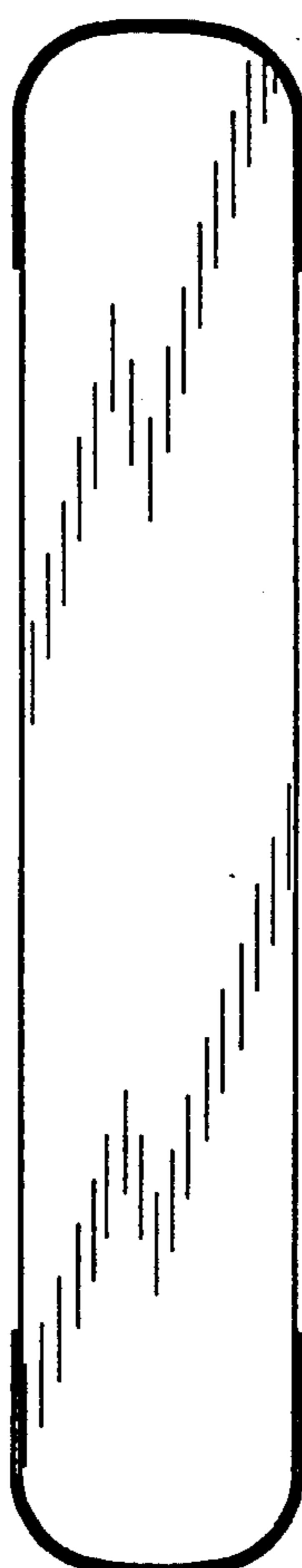


Fig.5

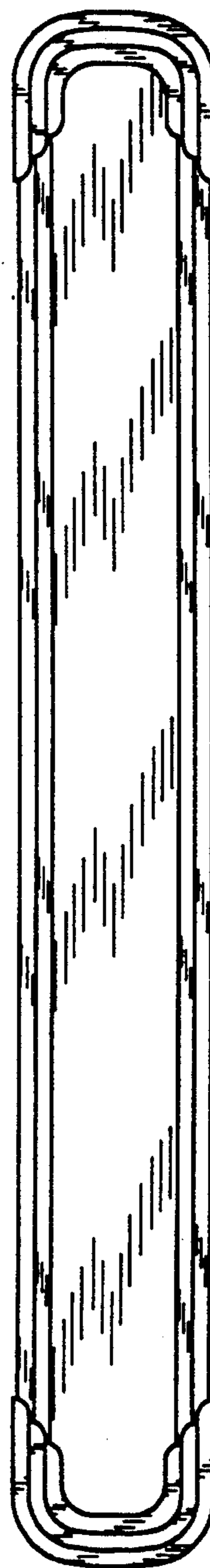


Fig.6



Fig.7

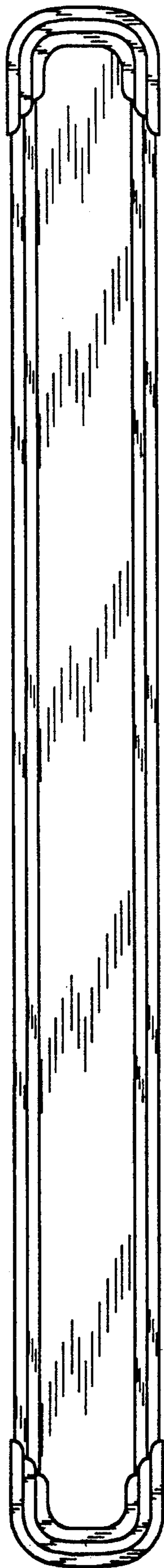


Fig. 8



Fig. 9