



US00D333360S

**United States Patent** [19]  
**Huang**

[11] **Patent Number: Des. 333,360**  
[45] **Date of Patent: \*\* Feb. 16, 1993**

[54] **ADJUSTABLE LAMP**  
[76] **Inventor: Soddy Huang, No. 6, Alley 9, Lane 77, Hsien Hsing St., Shulin, Taipei Hsien, Taiwan**  
[\*\*] **Term: 14 Years**  
[21] **Appl. No.: 699,793**  
[22] **Filed: May 14, 1991**  
[52] **U.S. Cl. .... D26/65**  
[58] **Field of Search .... D26/60-66; 362/401, 402, 413, 418, 419, 427, 428, 269, 275, 287**

D. 322,863 12/1991 Chin-Song ..... D26/65  
4,892,278 1/1990 Huang ..... 362/427 X

*Primary Examiner*—Susan J. Lucas  
*Attorney, Agent, or Firm*—Lowe, Price, LeBlanc & Becker

[57] **CLAIM**

The ornamental design for an adjustable lamp, as shown and described.

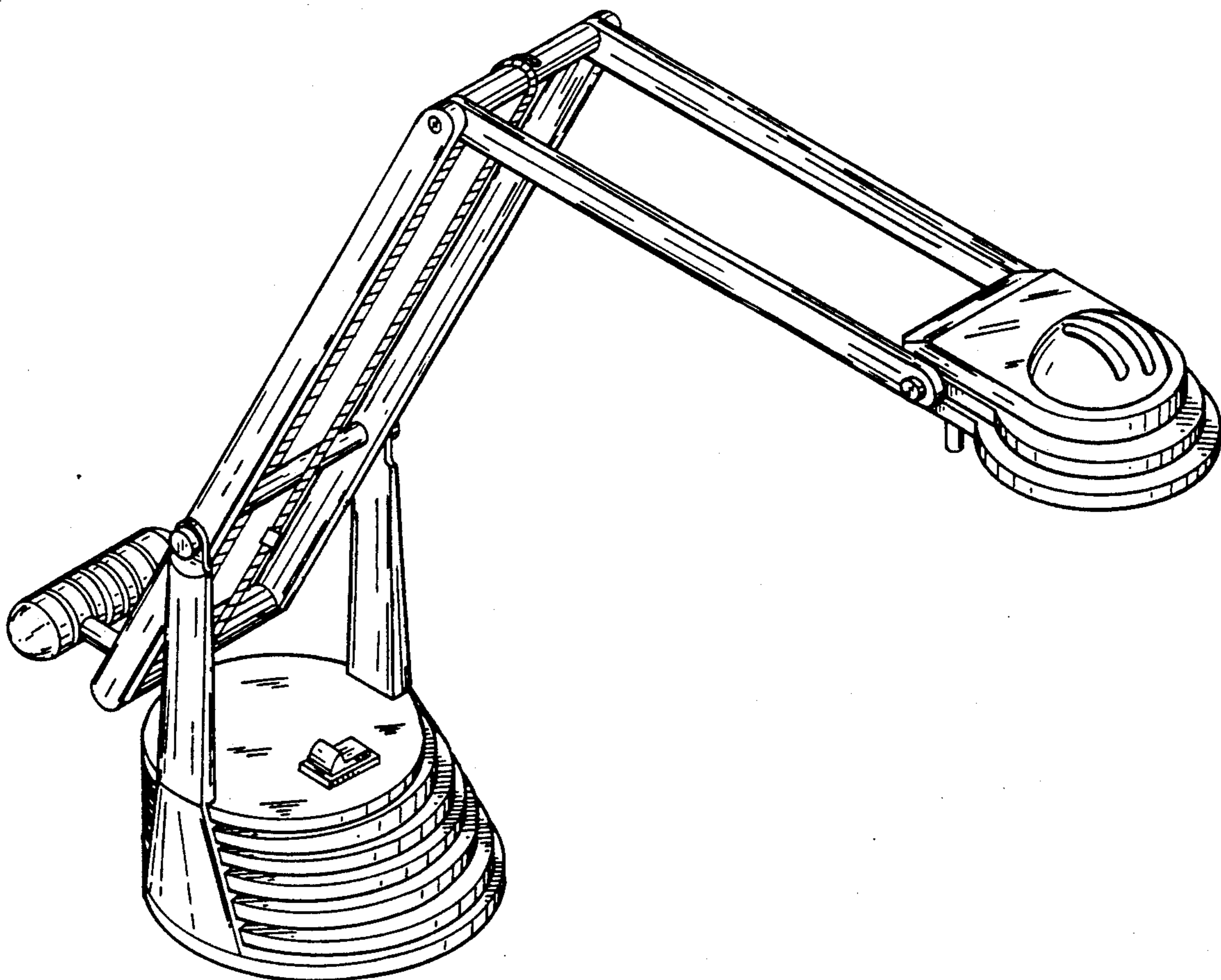
**DESCRIPTION**

FIG. 1 is a front perspective view of an adjustable table lamp showing my new design;  
FIG. 2 is a front elevational view thereof;  
FIG. 3 is a rear elevational view thereof;  
FIG. 4 is a left side elevational view thereof;  
FIG. 5 is a right side elevational view thereof;  
FIG. 6 is a top plan view thereof; and,  
FIG. 7 is a bottom plan view thereof.

[56] **References Cited**

**U.S. PATENT DOCUMENTS**

D. 313,083 12/1990 Huang ..... D26/65  
D. 318,340 7/1991 Huang ..... D26/65



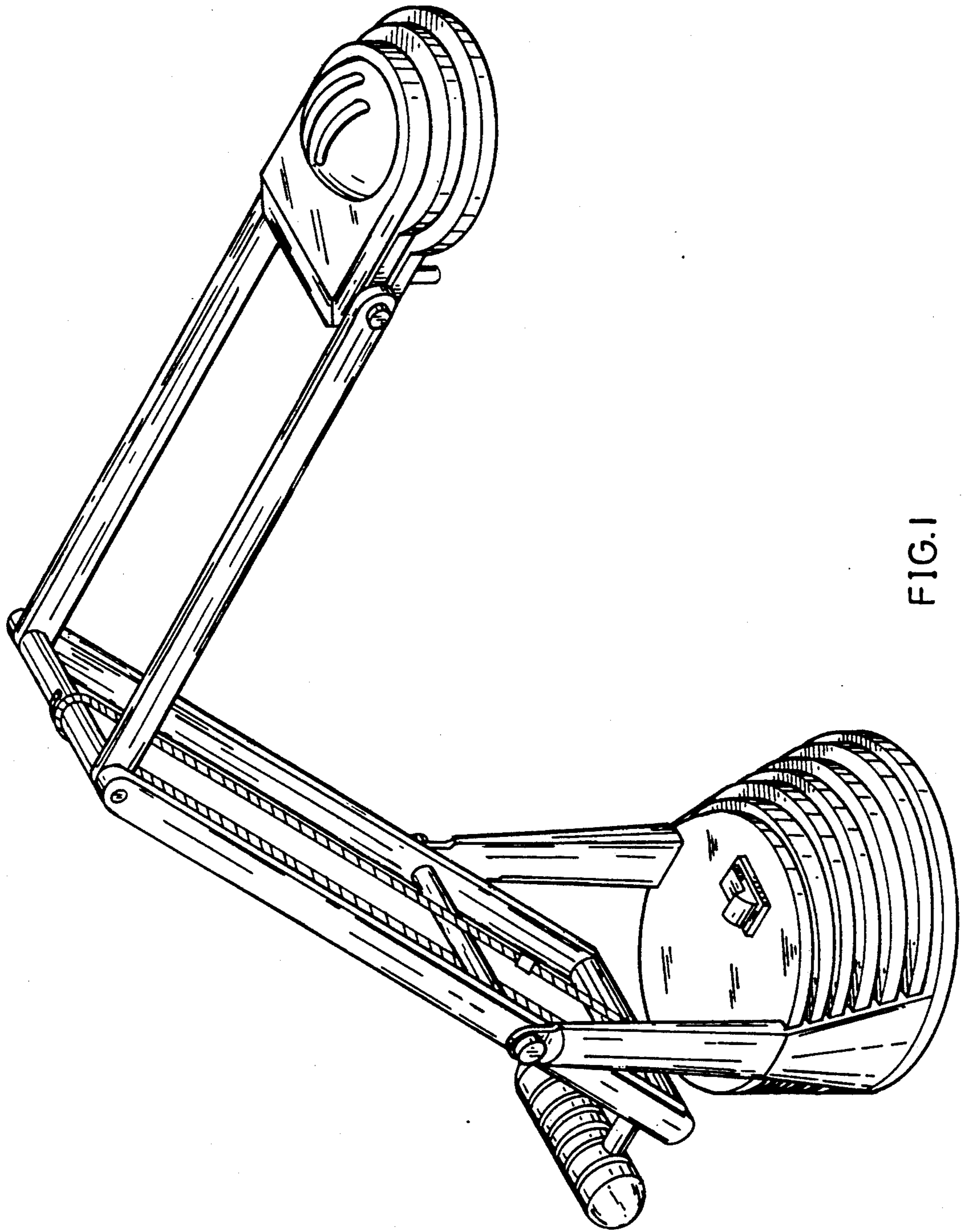


FIG. 1

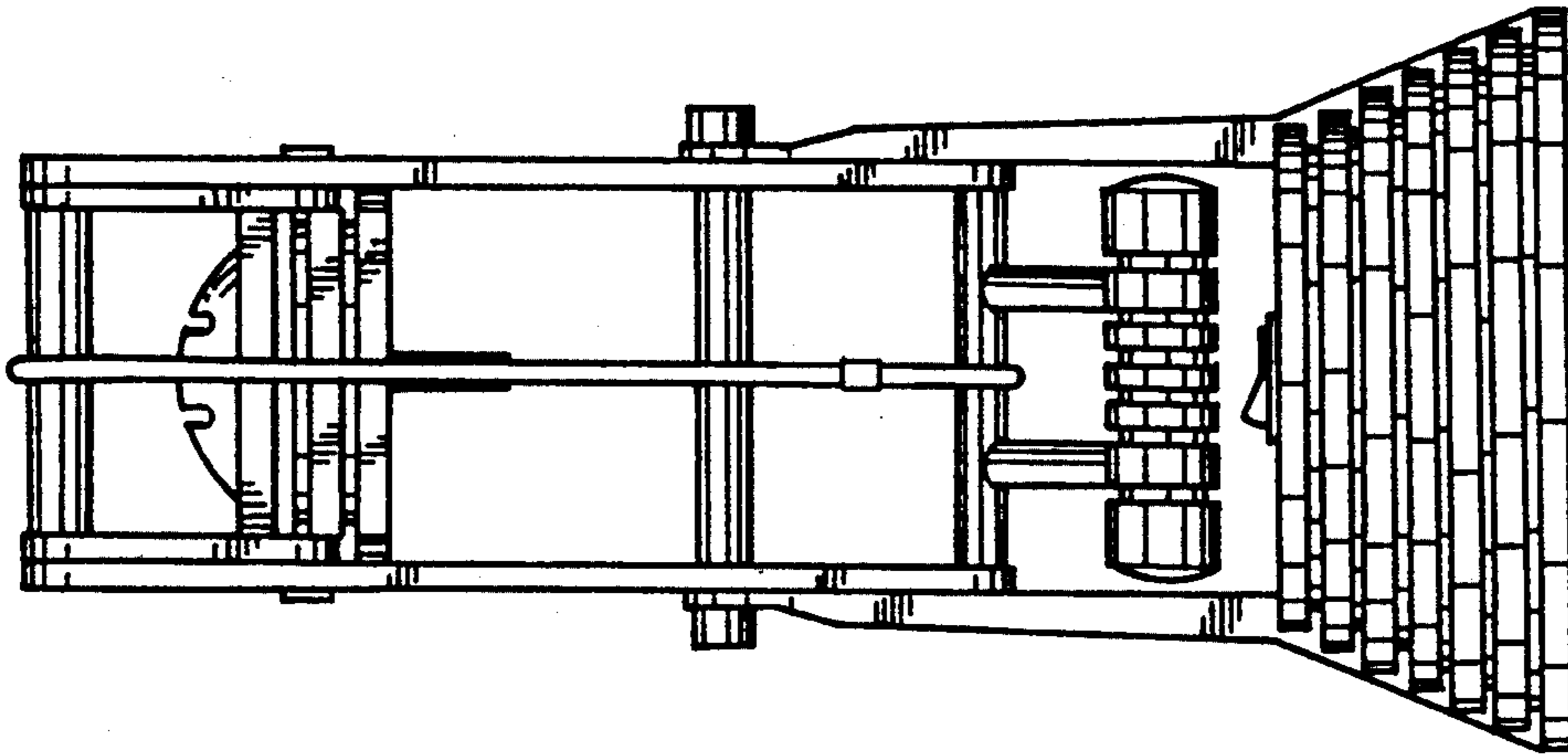


FIG.3

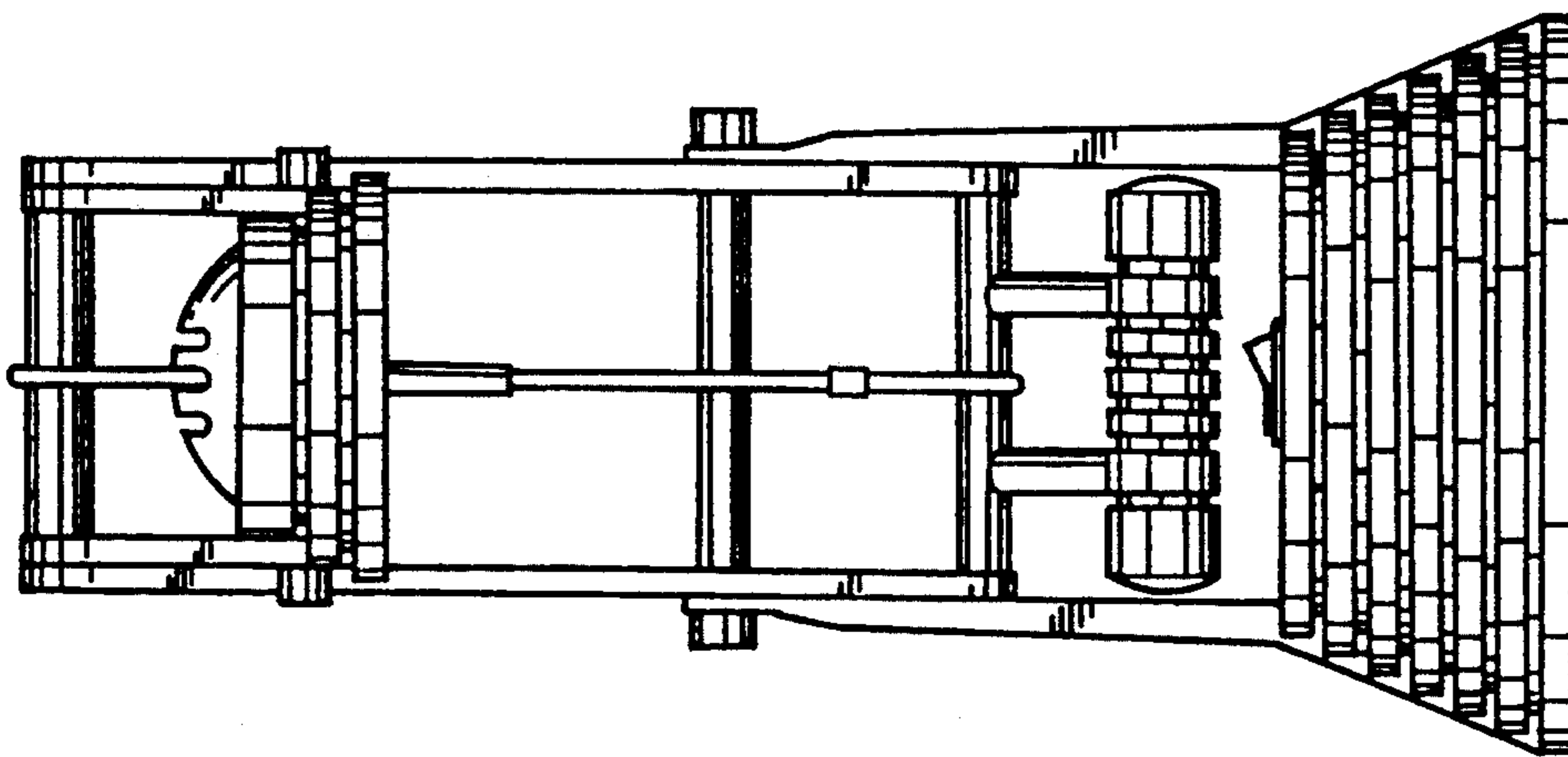


FIG.2

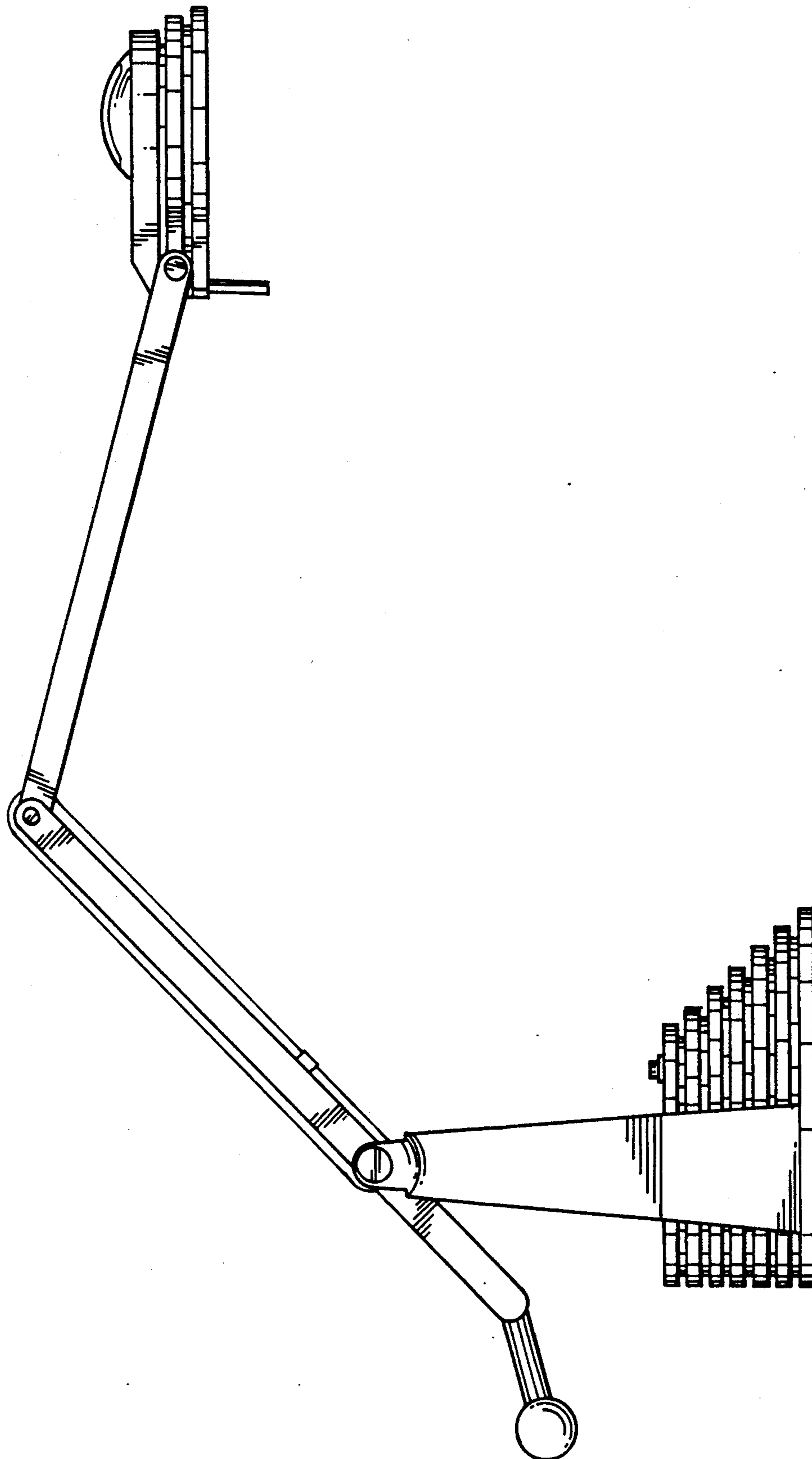


FIG.4

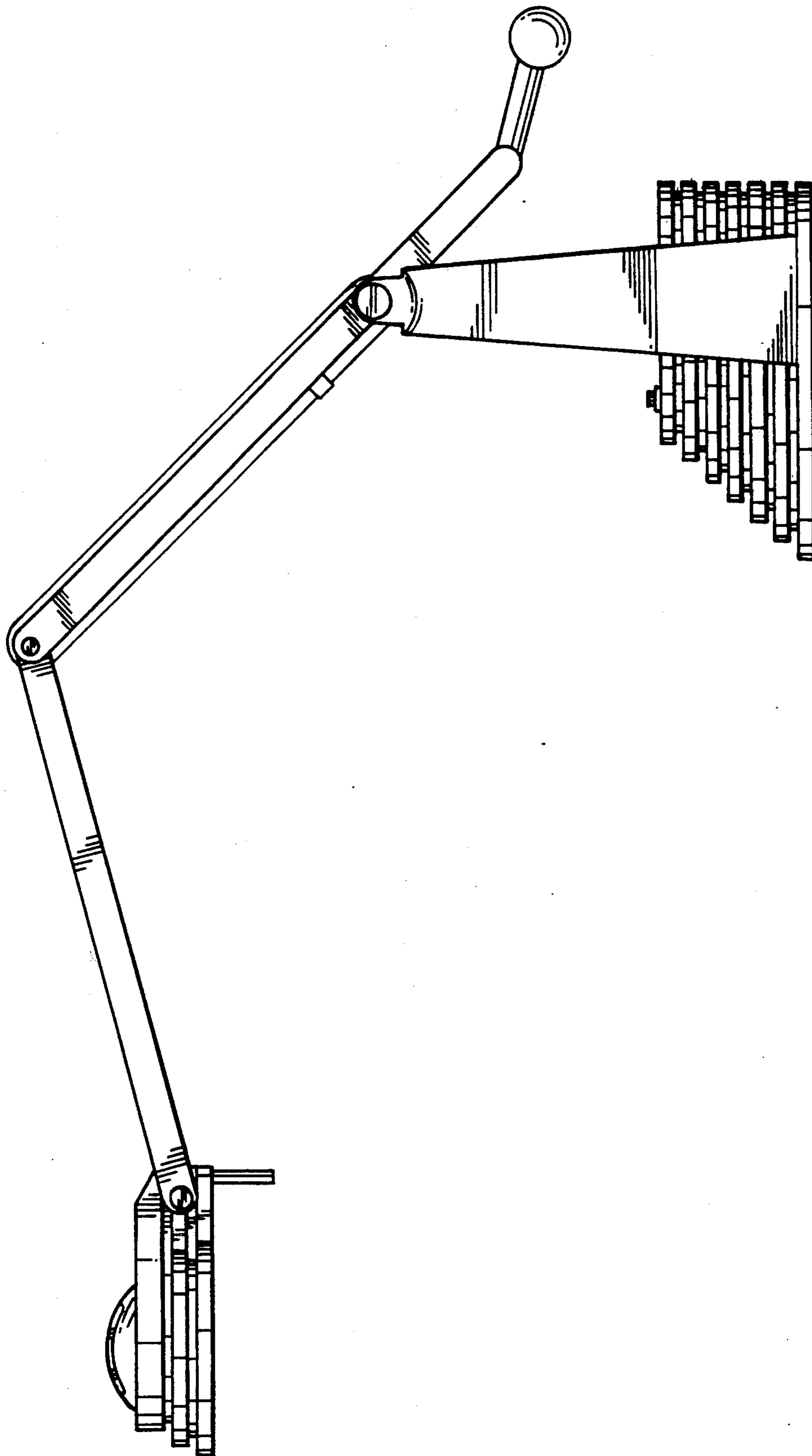


FIG. 5

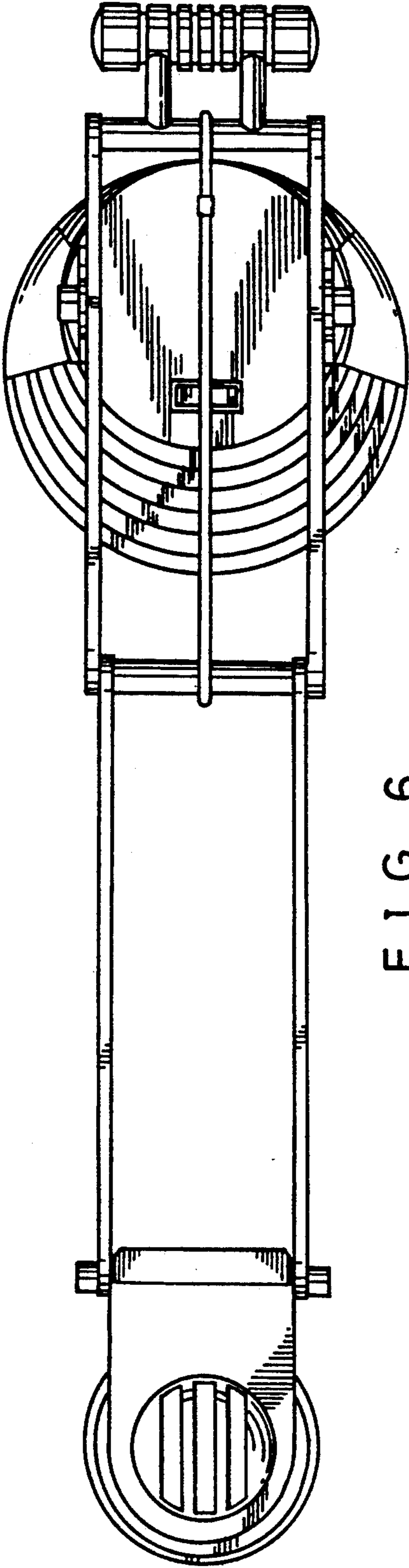


FIG. 6

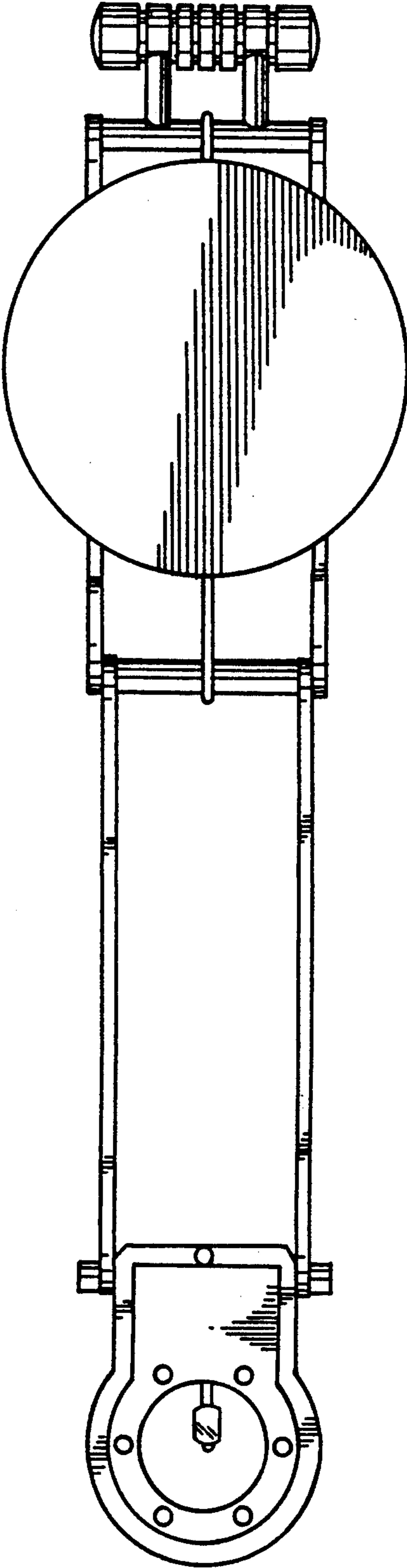


FIG. 7