



US00D333359S

United States Patent [19]

[11] Patent Number: **Des. 333,359**

Burns et al.

[45] Date of Patent: **** Feb. 16, 1993**

[54] LANTERN

[56]

References Cited

U.S. PATENT DOCUMENTS

[75] Inventors: **Bruce Burns, Portland, Oreg.; Robert McCourt, Los Angeles, Calif.**

D. 284,309	6/1986	Schosser et al.	D26/48
D. 308,256	5/1990	Ohashi	D26/48
3,252,733	5/1966	Moore et al.	362/157

[73] Assignee: **Burns Bros., Inc., Portland, Oreg.**

Primary Examiner—Susan J. Lucas
Attorney, Agent, or Firm—Shapiro and Shapiro

[**] Term: **14 Years**

[57]

CLAIM

The ornamental design for a lantern, as shown and described.

[21] Appl. No.: **780,318**

DESCRIPTION

[22] Filed: **Oct. 22, 1991**

[52] U.S. Cl. **D26/48**

[58] Field of Search **D26/37-50;**
362/157, 158, 183-191, 196, 197, 198, 199, 200,
202, 205

FIG. 1 is a side elevational view of a lantern showing our new design, the opposite side being a mirror image; FIG. 2 is a top plan view thereof; FIG. 3 is a bottom plan view thereof; FIG. 4 is a front elevational view thereof; and, FIG. 5 is a rear elevational view thereof.

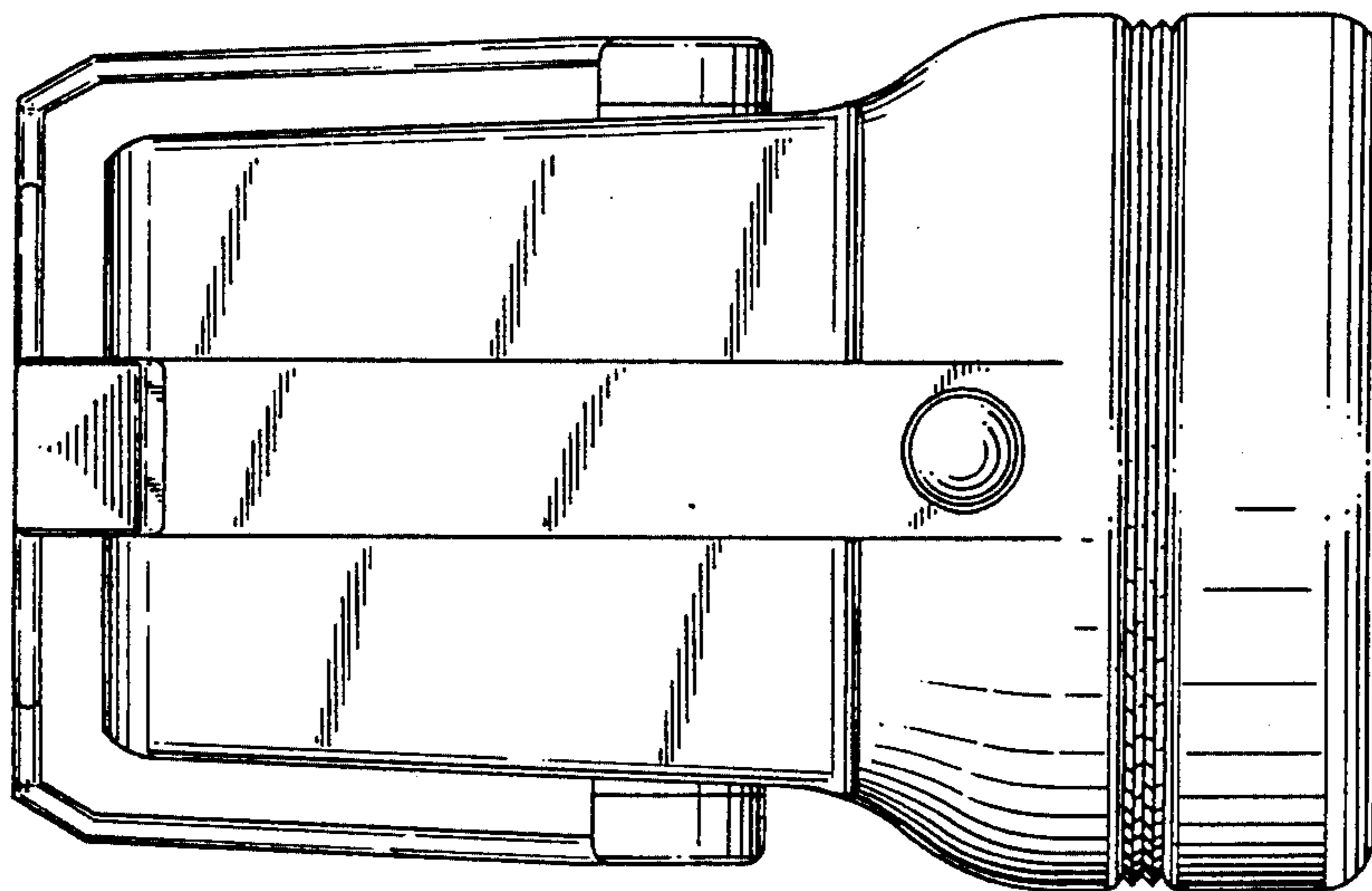
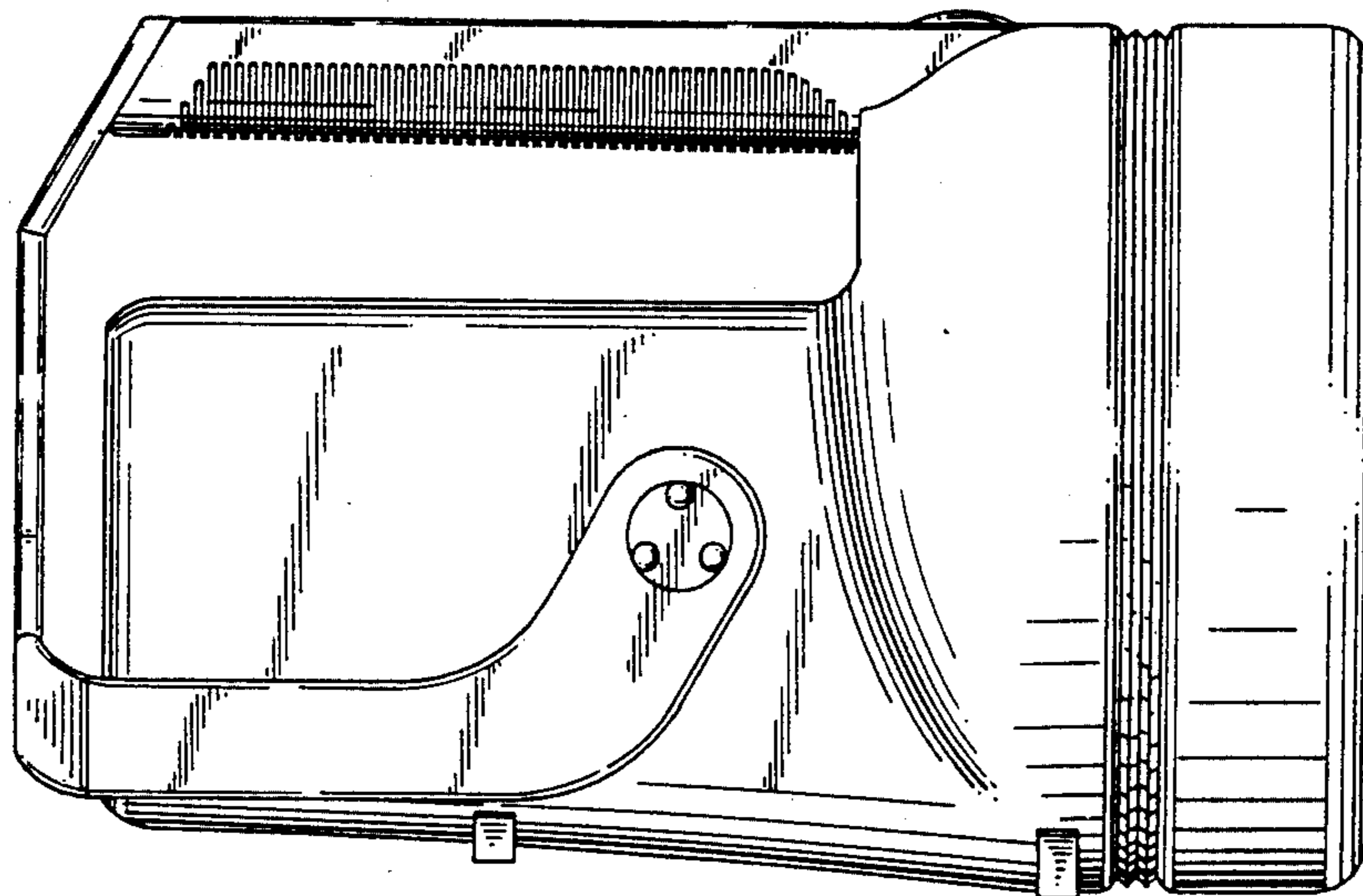


FIG. 1

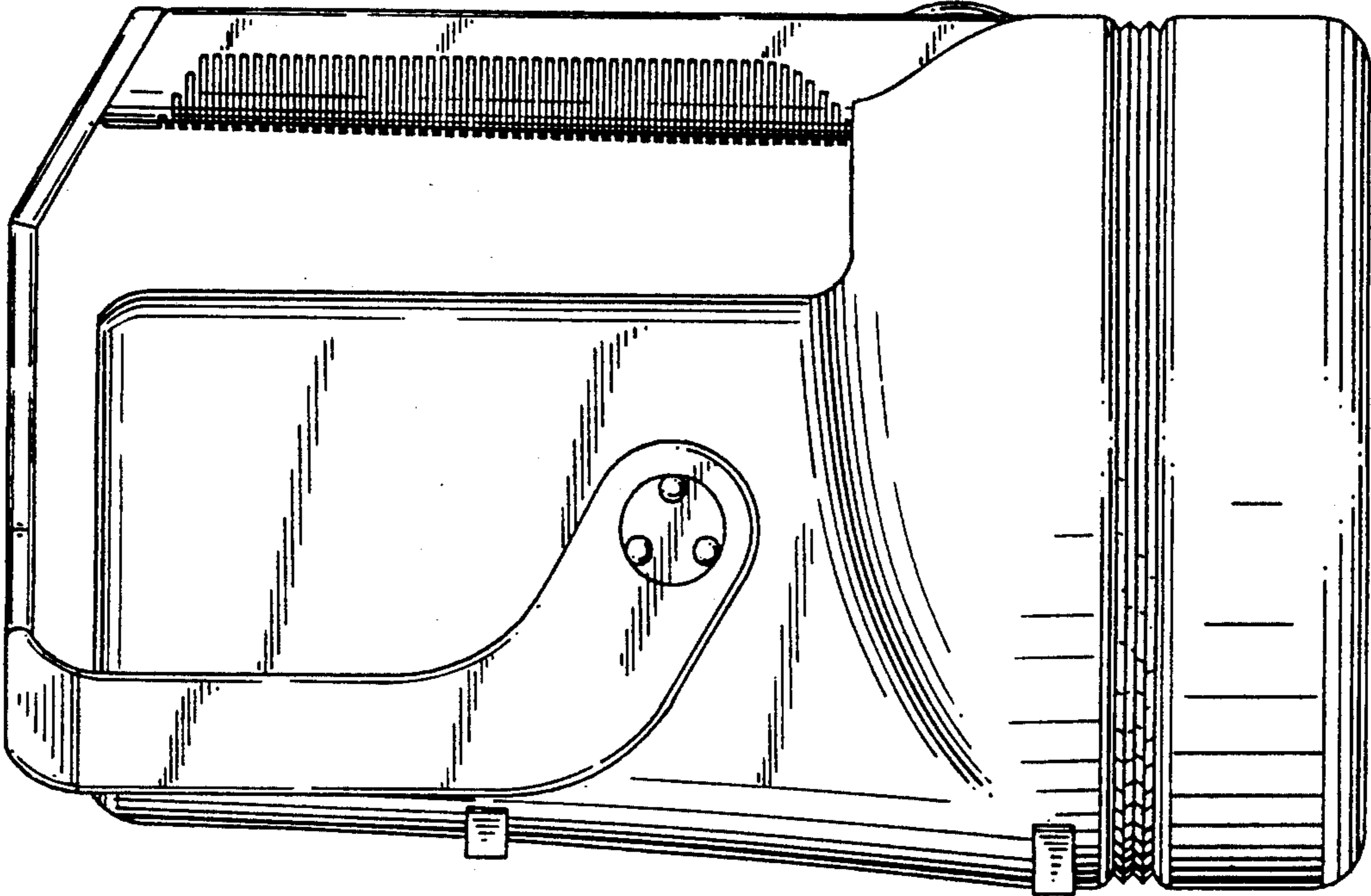


FIG. 2

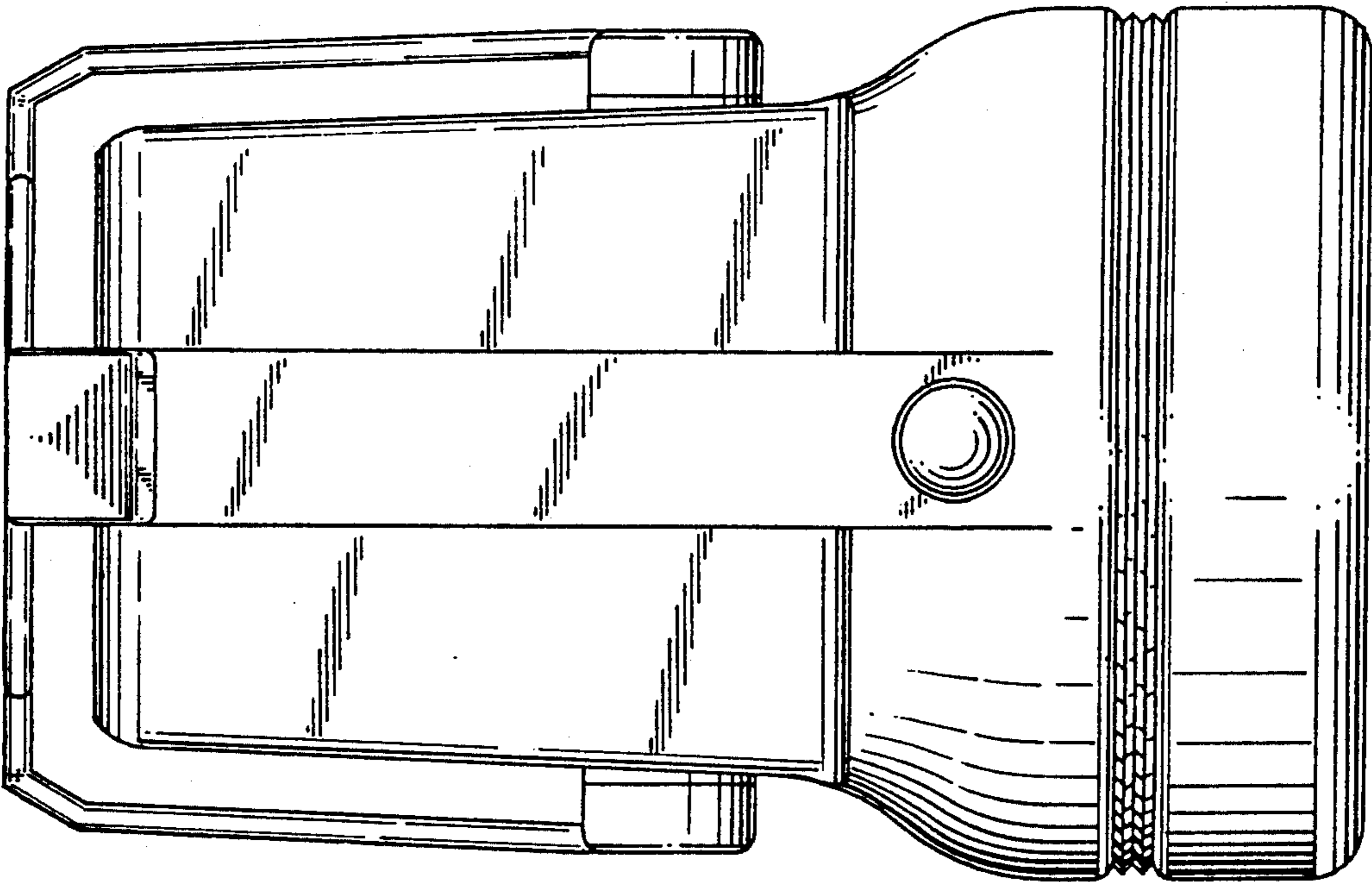


FIG. 3

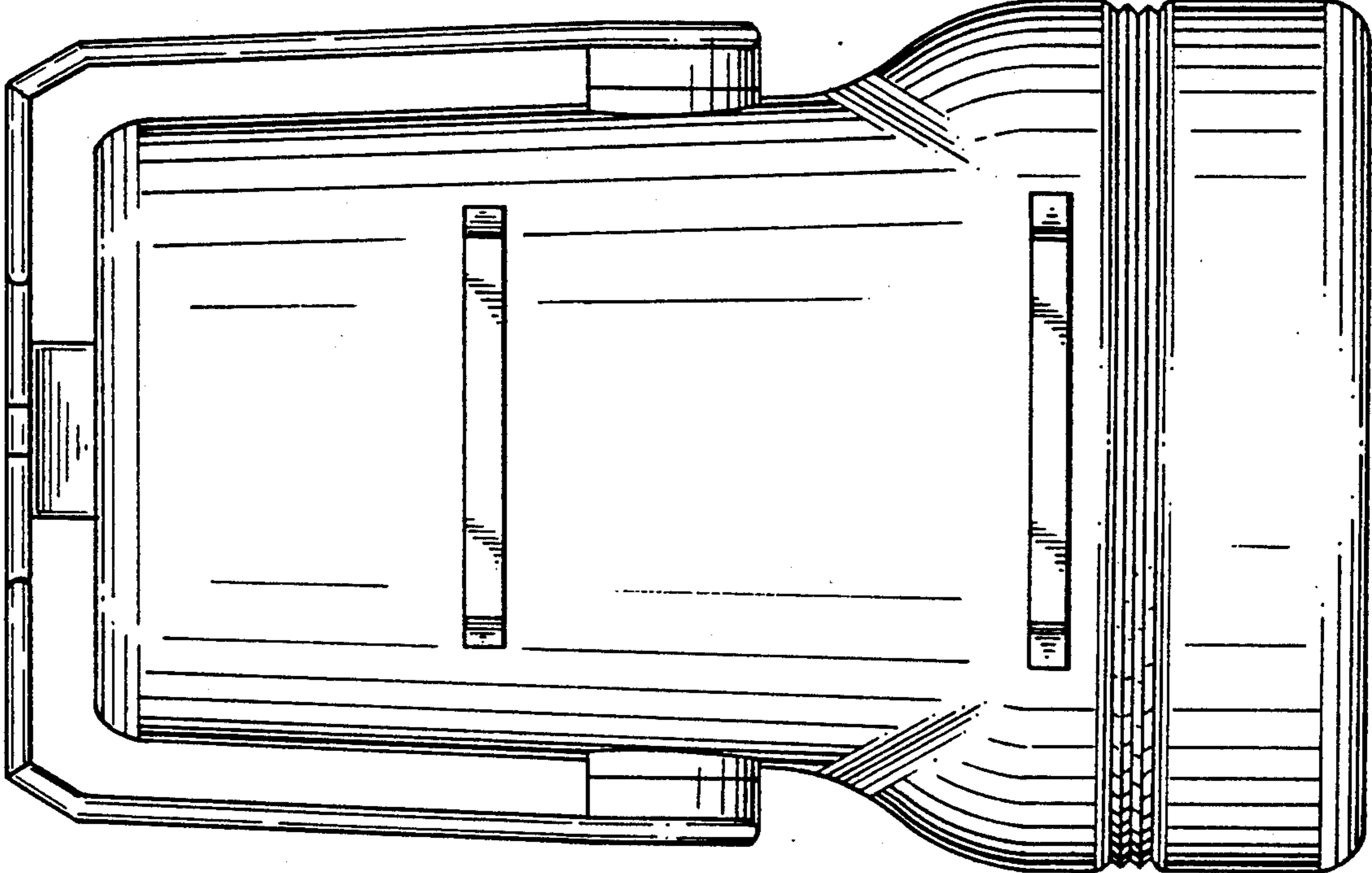


FIG. 4

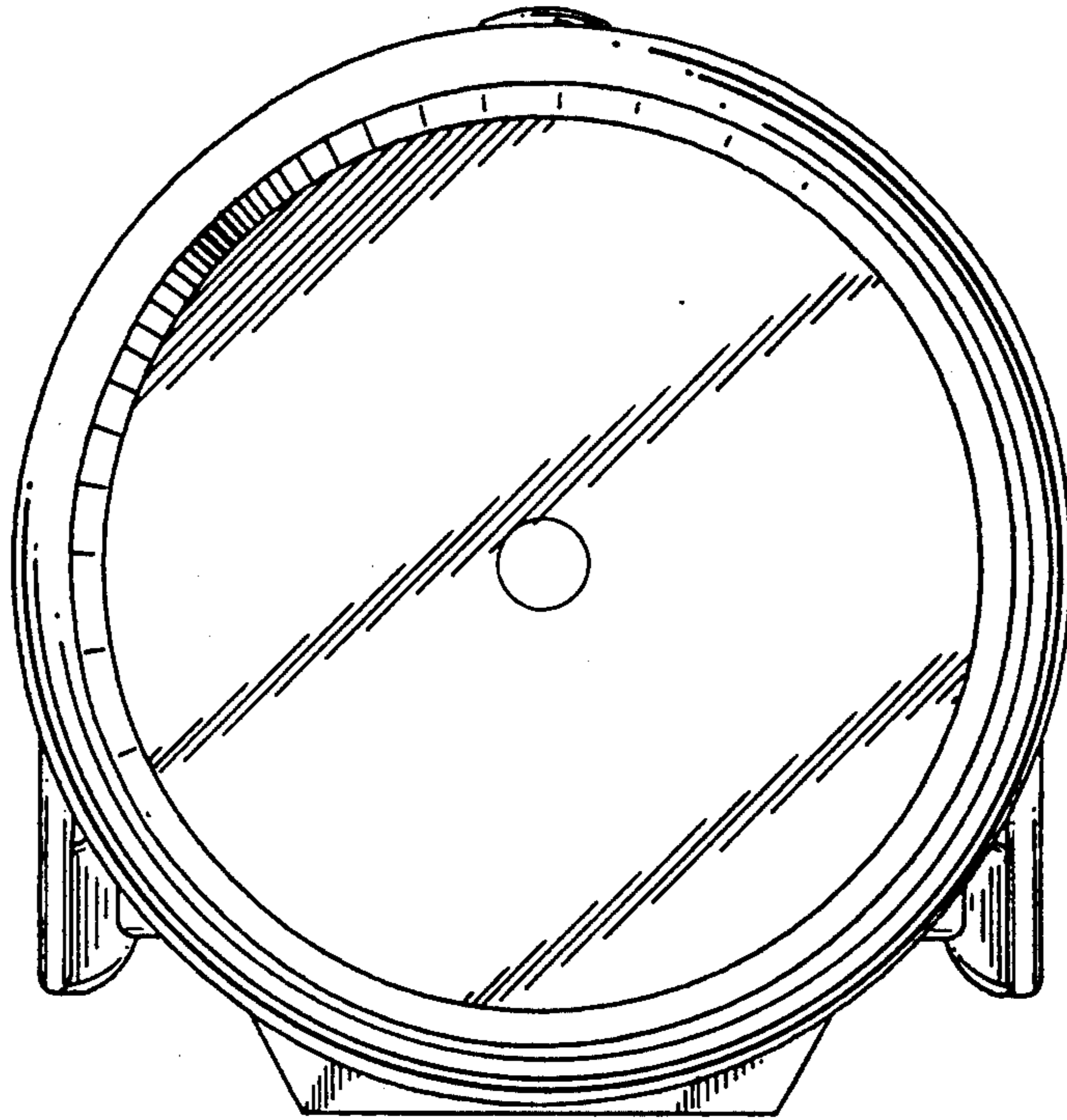


FIG. 5

