



US00D333354S

United States Patent [19]

[11] Patent Number: **Des. 333,354**

Adams

[45] Date of Patent: **** Feb. 16, 1993**

[54] **MORTARLESS MASONRY BLOCK**

2,201,110 5/1940 Markram D25/113
3,290,849 12/1966 Wright D25/118
4,285,179 8/1981 Goldinger 52/605

[75] Inventor: **Fred H. Adams, Cary, N.C.**

[73] Assignee: **Adams Products Company,
Morrisville, N.C.**

Primary Examiner—A. Hugo Word
Assistant Examiner—Doris Clark
Attorney, Agent, or Firm—Richard E. Jenkins

[**] Term: **14 Years**

[57] **CLAIM**

[21] Appl. No.: **648,336**

The ornamental design for a mortarless masonry block, as shown and described.

[22] Filed: **Jan. 30, 1991**

[52] U.S. Cl. **D25/118**

[58] Field of Search 225/112-114,
225/118; 52/589-596, 605, 608

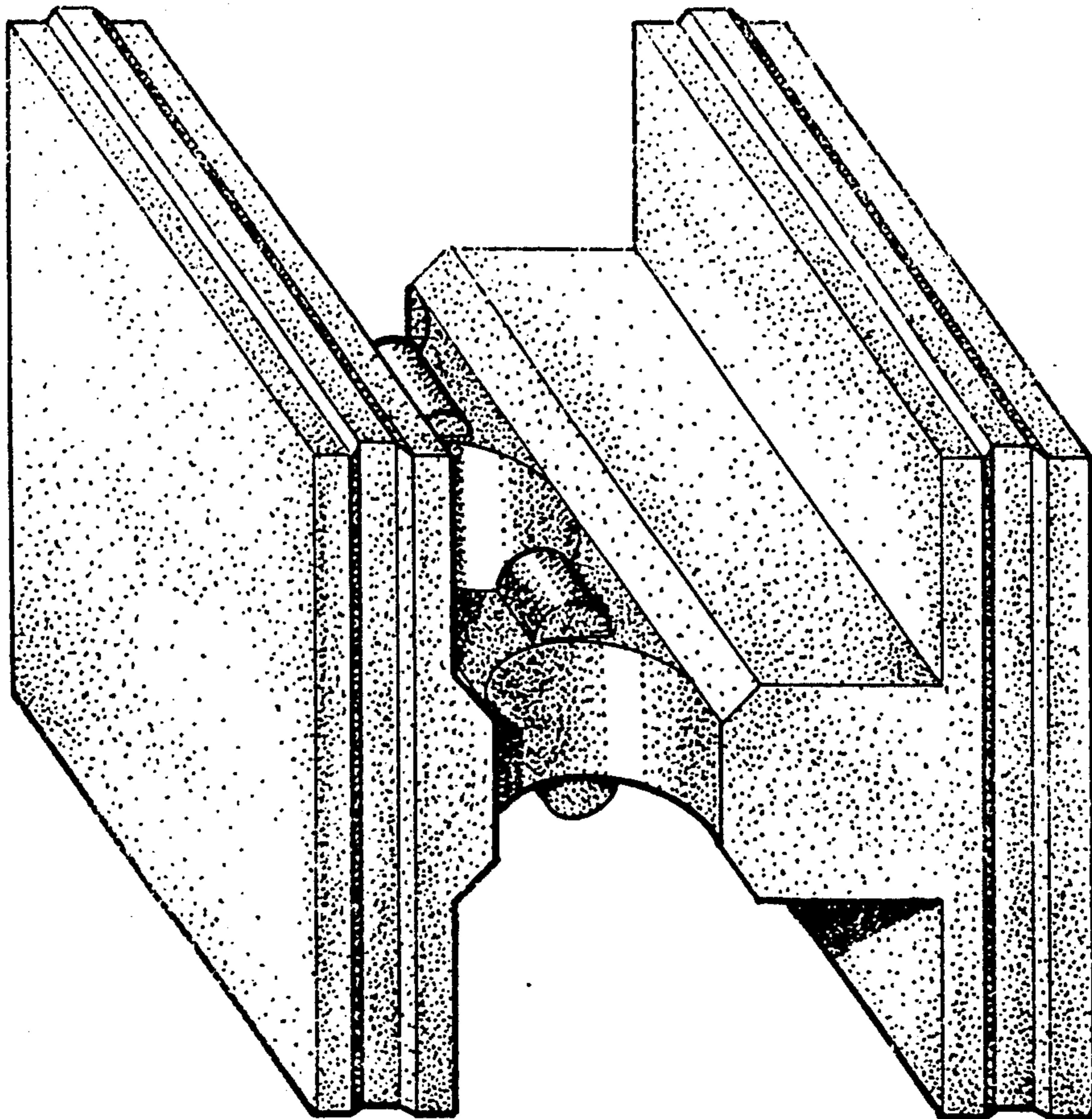
DESCRIPTION

[56] **References Cited**

U.S. PATENT DOCUMENTS

D. 215,714 10/1969 Locke D25/114
D. 266,875 11/1982 dos Santos D25/114
1,544,478 6/1925 Payne 52/592
2,191,217 2/1940 Liebowitz D25/113

FIG. 1 is a front perspective view of a mortarless masonry block showing my new design;
FIG. 2 is a top plan view thereof;
FIG. 3 is a bottom plan view thereof;
FIG. 4 is a side elevational view, the opposite side being a mirror image thereof;
FIG. 5 is a right end elevational view thereof; and,
FIG. 6 is a left end elevational view thereof.



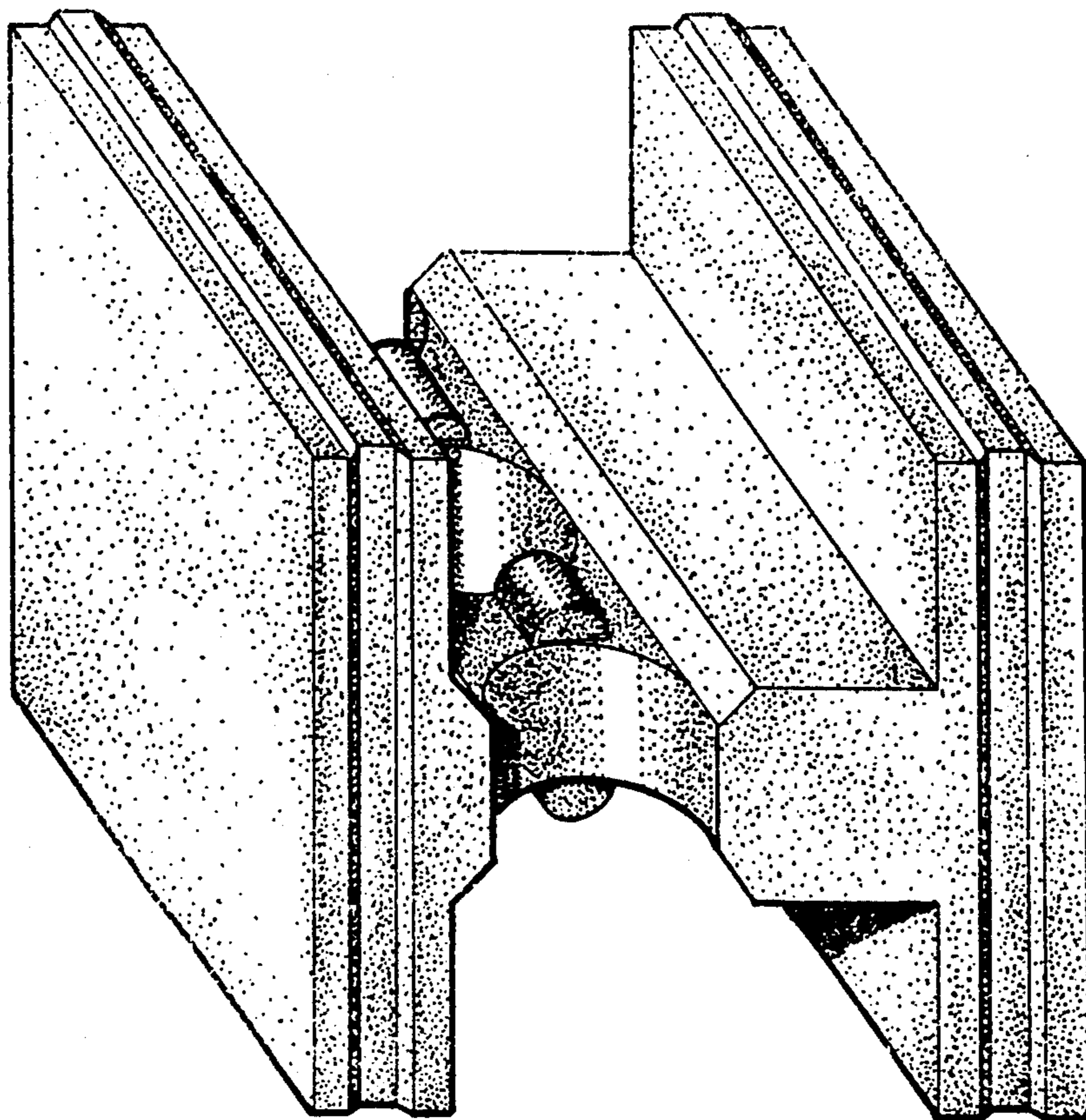


FIG. 1

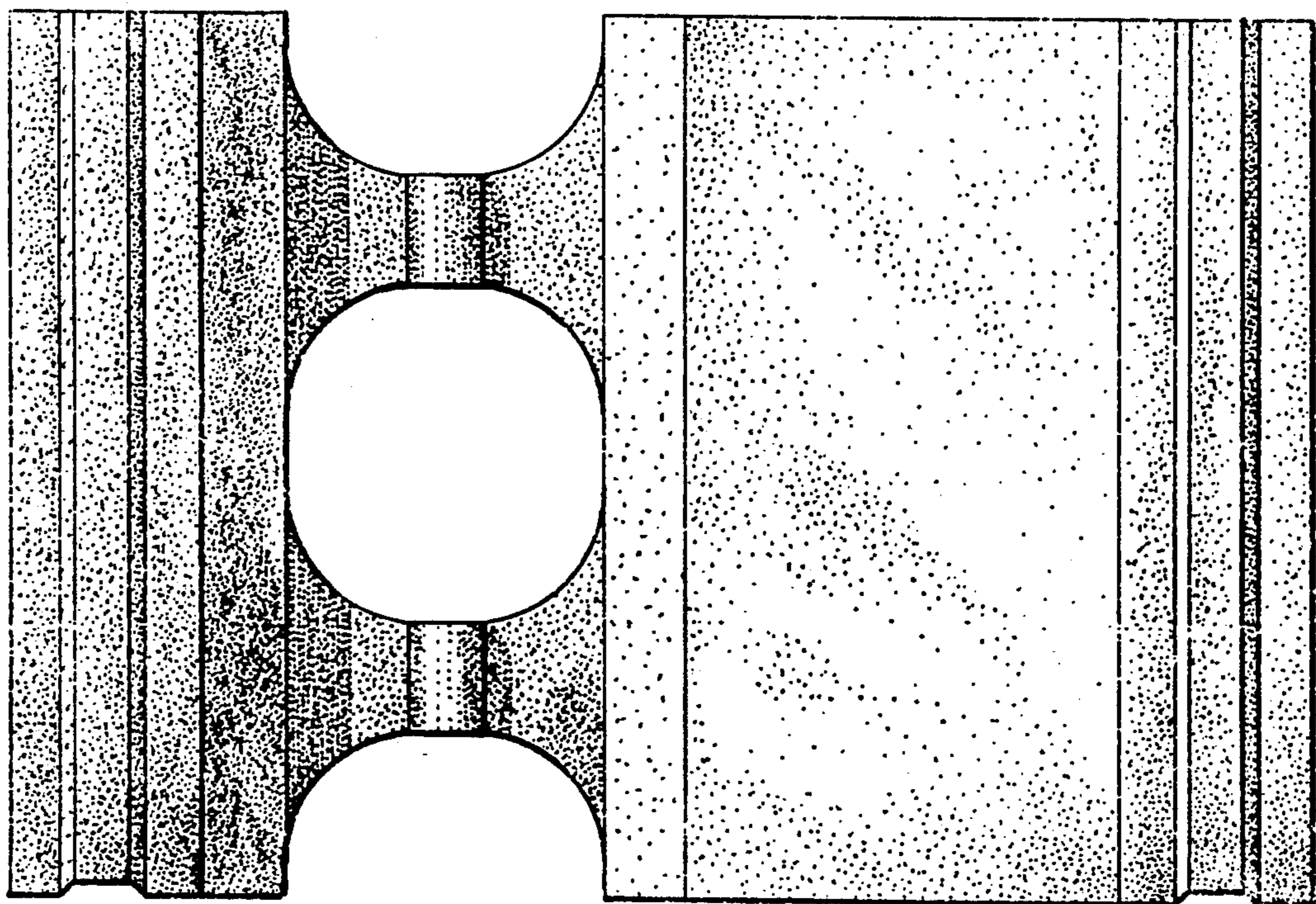


FIG. 2

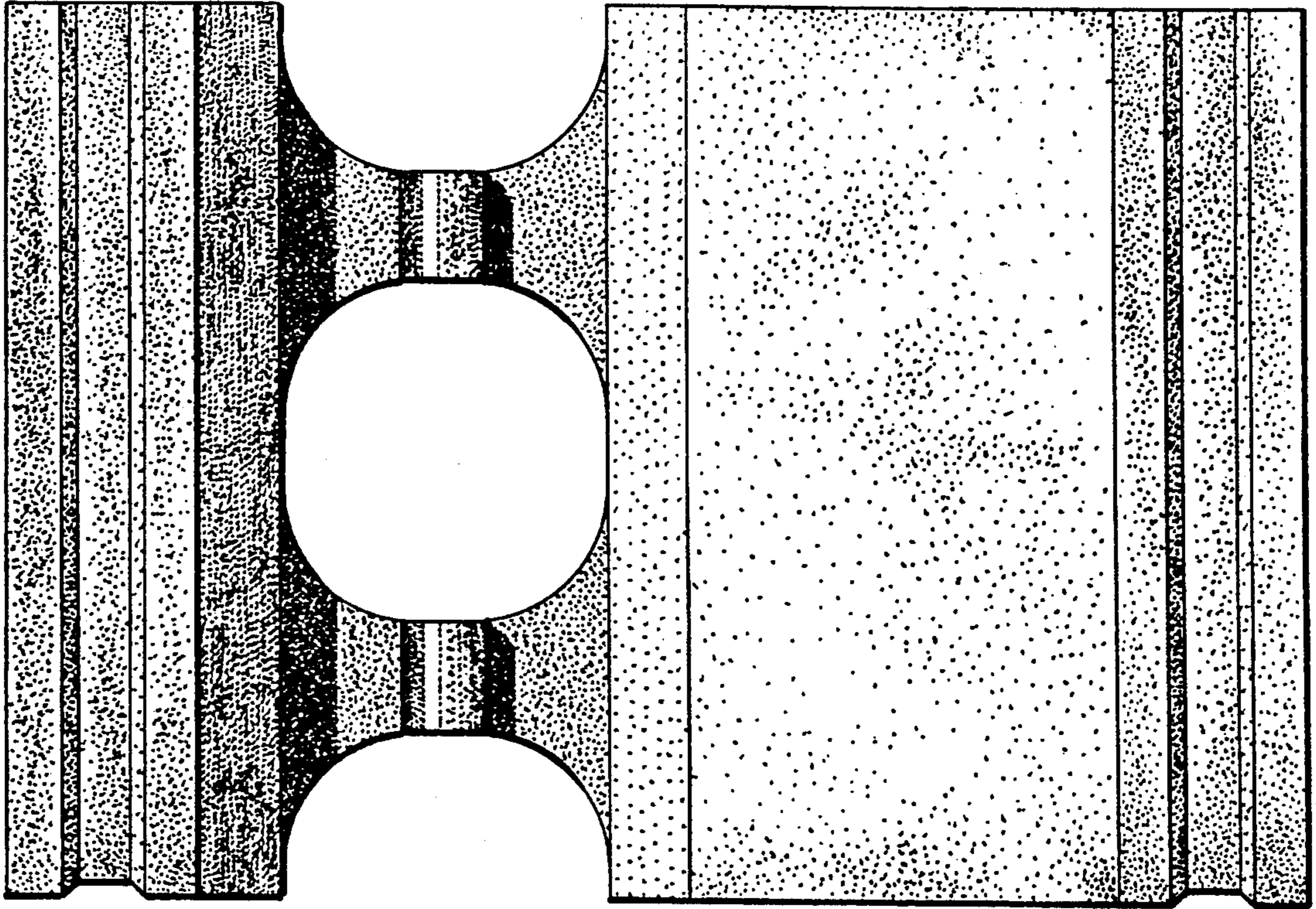


FIG. 3



FIG. 4

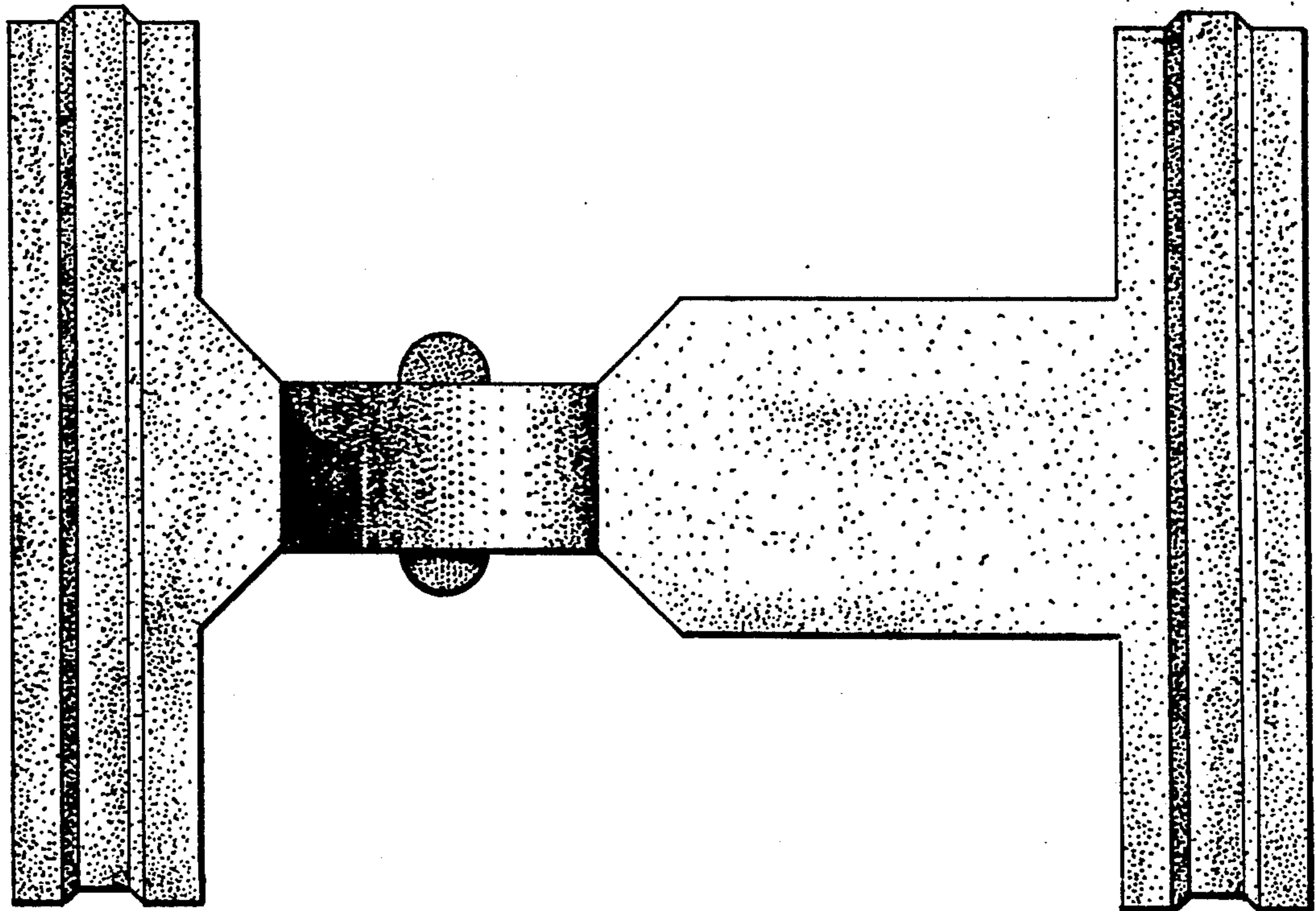


FIG. 5

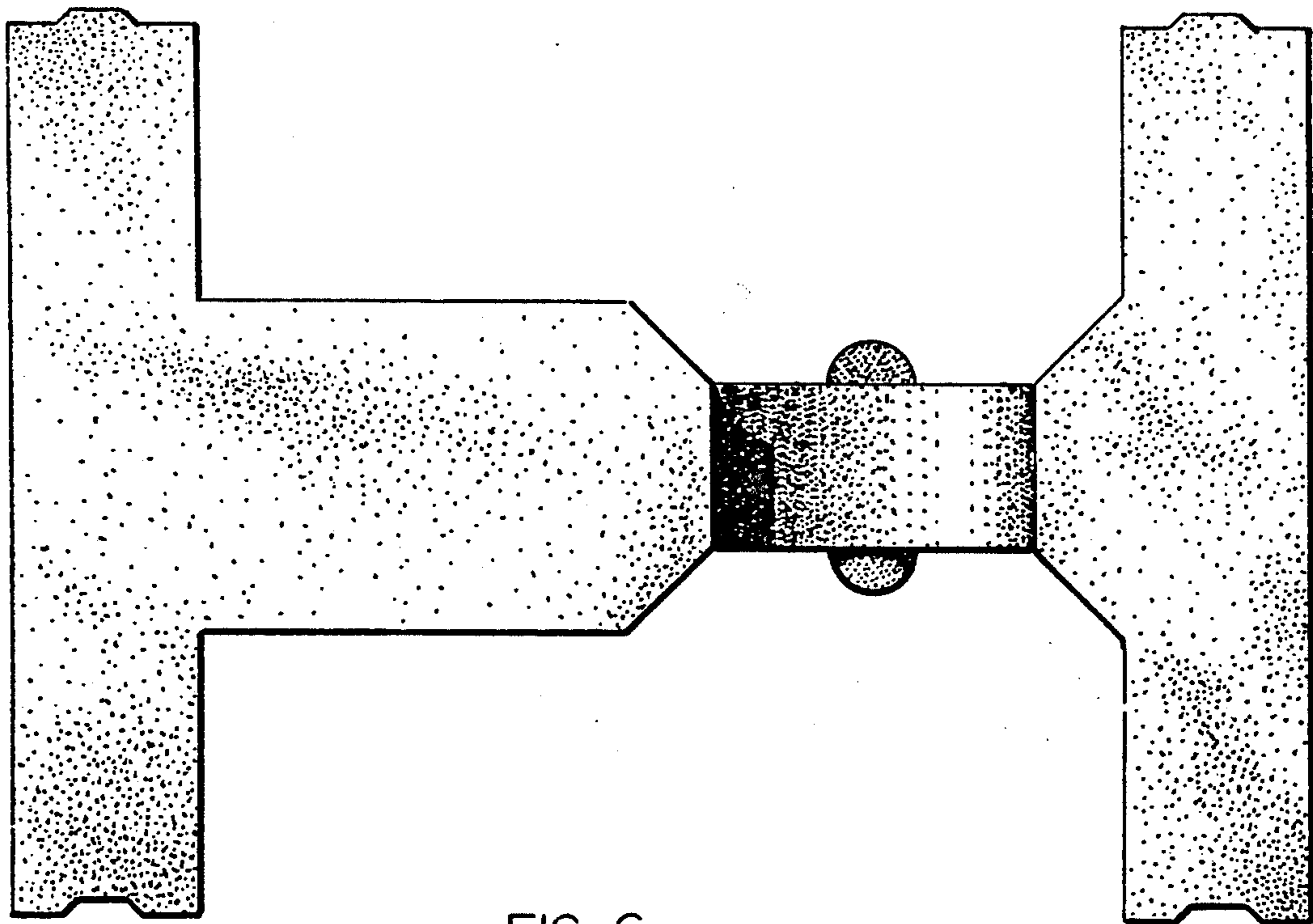


FIG. 6