



US00D333353S

# United States Patent [19]

[11] Patent Number: **Des. 333,353**

Guhl et al.

[45] Date of Patent: **\*\* Feb. 16, 1993**

[54] **SKYLIGHT SASH MEMBER**

[75] Inventors: **James C. Guhl, Hudson, Wis.; David J. Weiss, Stillwater, Minn.**

[73] Assignee: **Andersen Corporation, Bayport, Mich.**

[\*\*] Term: **14 Years**

[21] Appl. No.: **638,646**

[22] Filed: **Jan. 8, 1991**

[52] U.S. Cl. .... **D25/60; D25/119**

[58] Field of Search ..... **D25/52, 119, 120, 121, D25/125, 60; 52/200, 18, 80**

4,514,944	5/1985	Doell .....	52/200
4,520,604	6/1985	Halsey et al. ....	52/200
4,570,394	2/1986	Jentoft et al. ....	52/72
4,750,302	6/1988	Bechtold .....	52/72
4,757,655	7/1988	Jentoft et al. ....	52/200
4,776,141	10/1988	Powell .....	52/200
4,788,804	12/1988	Haas .....	52/200
4,823,525	4/1989	Roberts et al. ....	52/200
4,862,657	9/1989	Jentol et al. ....	52/200
4,930,275	6/1990	Verby et al. ....	52/200

*Primary Examiner*—A. Hugo Word  
*Assistant Examiner*—Doris Clark  
*Attorney, Agent, or Firm*—Merchant, Gould, Smith, Edell, Welter & Schmidt

[56] **References Cited**

**U.S. PATENT DOCUMENTS**

D. 251,741	5/1979	Smallwood et al. ....	D25/52
D. 271,055	10/1983	Cascone et al. ....	D25/60
2,968,263	1/1961	Huston et al. ....	52/200
3,184,801	5/1965	Fletcher .....	D25/60
3,417,522	12/1968	Kiekhaefer .....	52/97
3,434,250	3/1969	Kiekhaefer .....	52/22
3,455,073	7/1969	Kiekhaefer .....	52/200
4,073,097	2/1978	Jentoft et al. ....	52/22
4,123,883	11/1978	Barber, Jr. et al. ....	52/200
4,190,987	3/1980	Naidus .....	52/200
4,409,767	10/1983	Jentoft et al. ....	52/200

[57] **CLAIM**

The ornamental design for a skylight sash member, as shown and described.

**DESCRIPTION**

FIG. 1 is a perspective view of a skylight sash member showing our new design;  
 FIG. 2 is a front elevational view thereof;  
 FIG. 3 is a top plan view thereof;  
 FIG. 4 is a left side elevational view, the right side elevational view being a mirror image thereof;  
 FIG. 5 is a rear elevational view thereof; and,  
 FIG. 6 is a bottom plan view thereof.

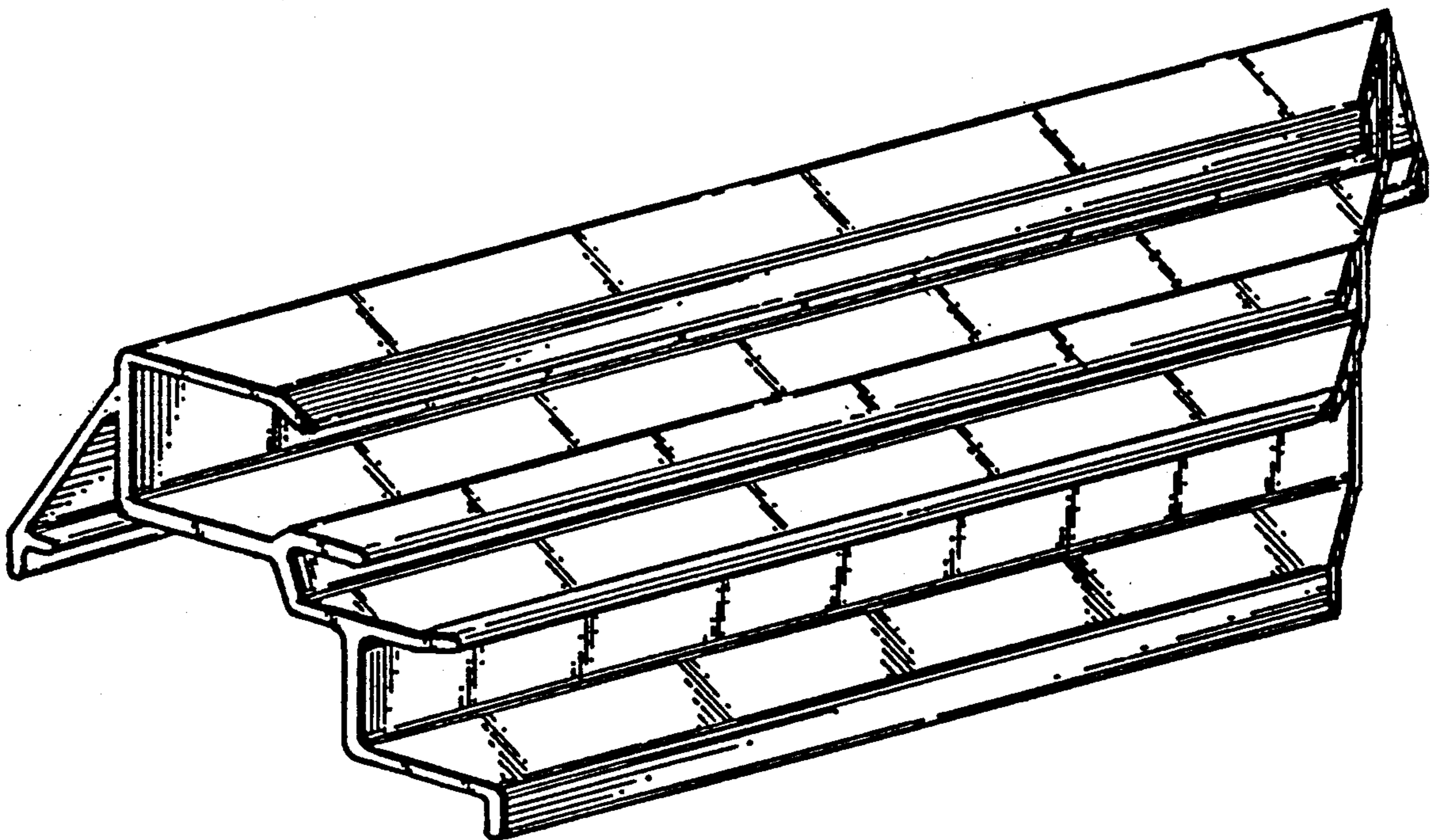


FIG. 1

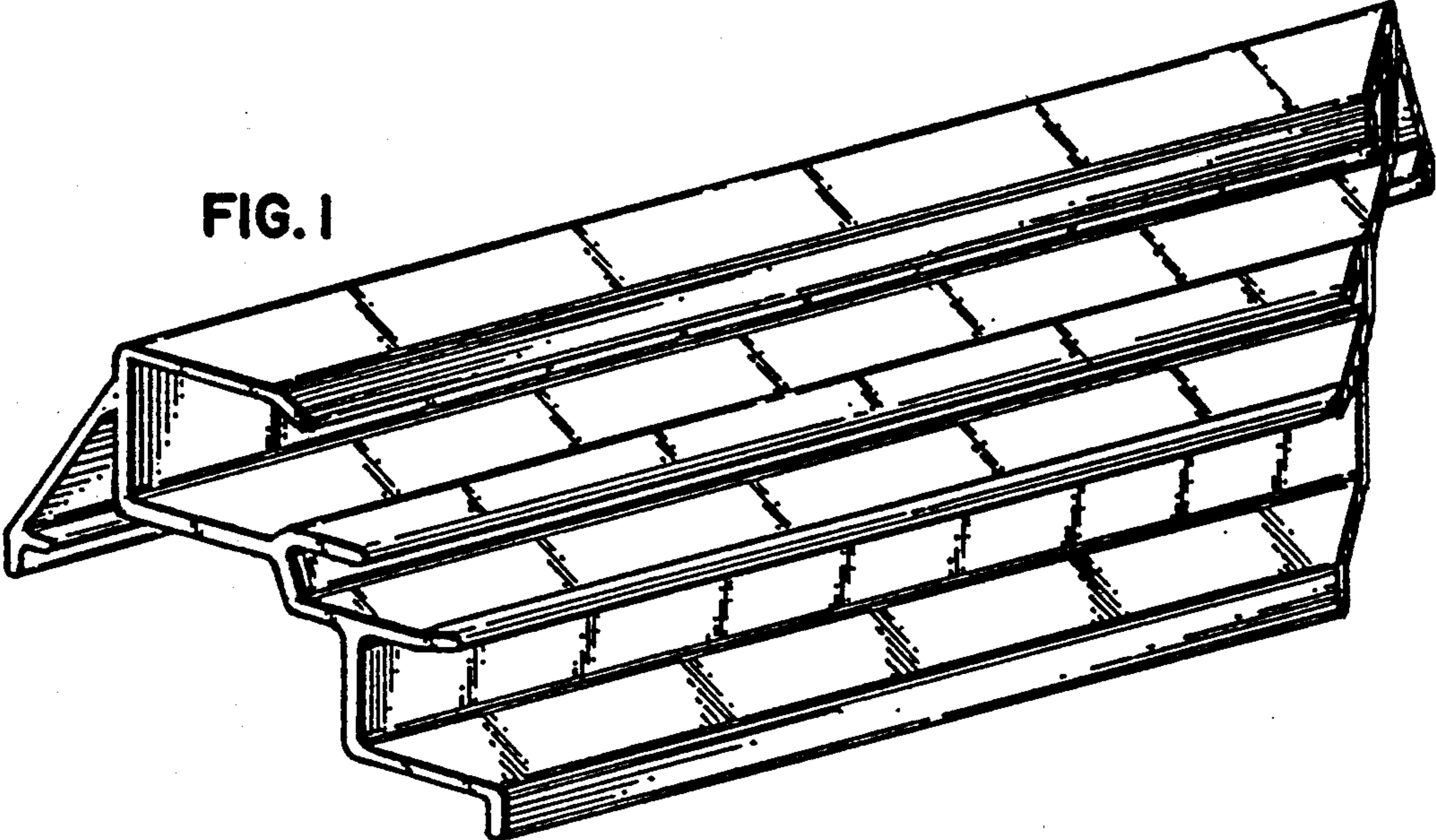


FIG. 2



FIG. 3

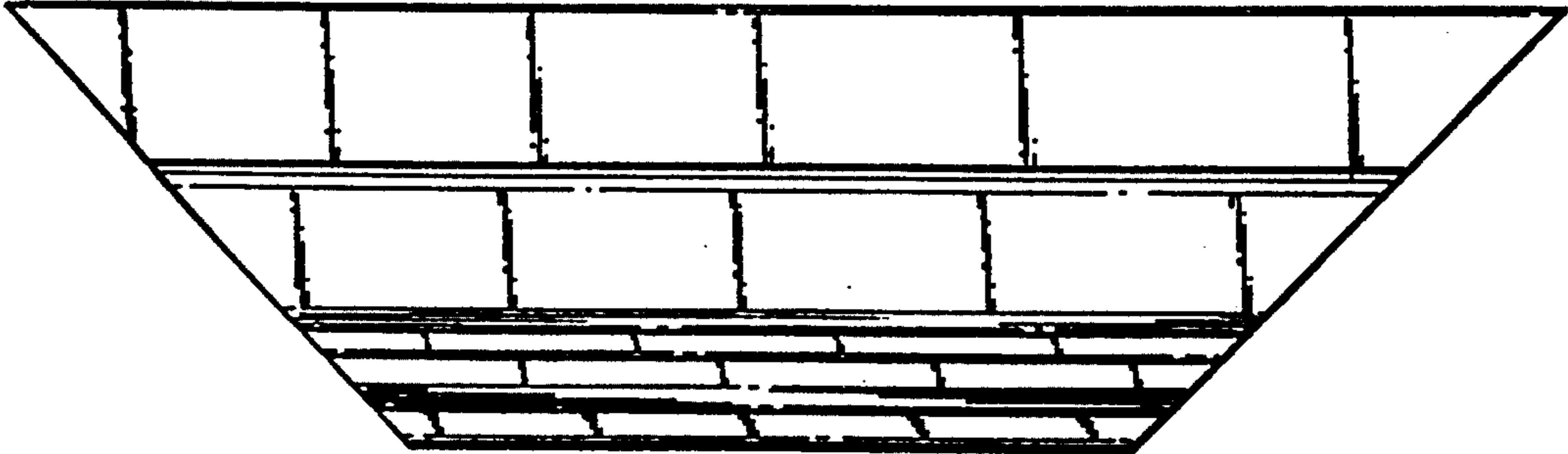


FIG. 4

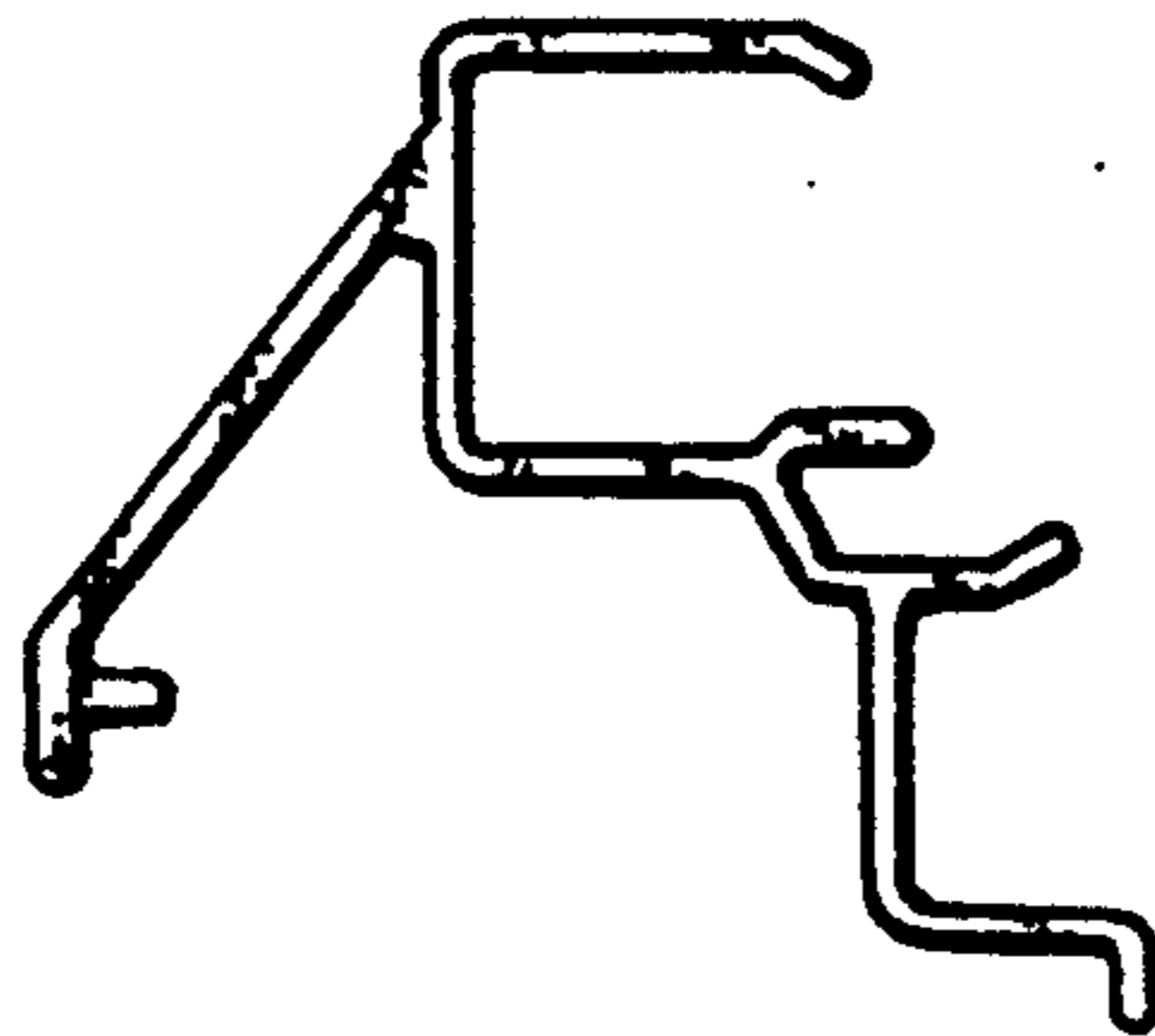


FIG. 5

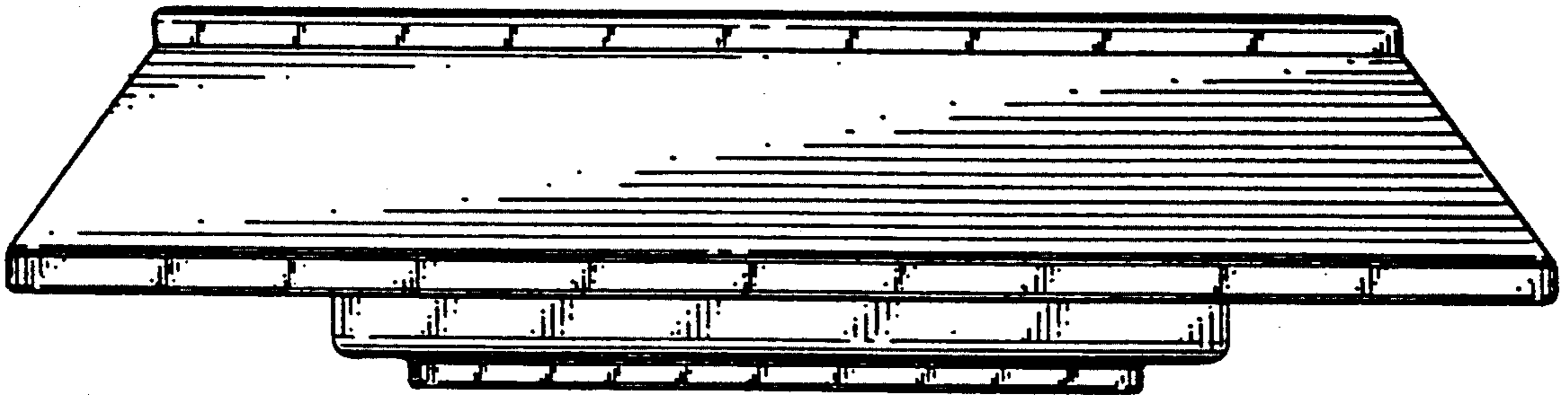


FIG. 6

