



US00D333346S

# United States Patent [19]

[11] Patent Number: Des. 333,346

Uhde

[45] Date of Patent: \*\* Feb. 16, 1993

[54] **INFRARED FLOOR TILE HEATER FOR USE IN FLOOR TILE REMOVAL**

[75] Inventor: William E. Uhde, Newtown, Conn.

[73] Assignee: Enviromethods, Inc., Bristol, Conn.

[\*\*] Term: 14 Years

[21] Appl. No.: 413,020

[22] Filed: Sep. 25, 1989

[52] U.S. Cl. .... D23/317; D34/26

[58] Field of Search ..... D23/317, 328; D34/24, D34/26; 126/271.1, 271.2 R, 271.2 A; 219/228

[56] **References Cited**

**U.S. PATENT DOCUMENTS**

D. 206,177	11/1966	Unruh	.....	D34/24
D. 287,779	1/1987	Slany	.....	D34/26
D. 310,895	9/1990	Iwaki	.....	D34/26
768,923	8/1904	Wiedersheim	.....	126/271.2 A
1,264,973	5/1918	Powers	.....	126/271.1
2,655,976	10/1953	Lovin	.....	219/228
3,311,104	3/1967	Wollner et al.	.....	126/271.2 A
3,362,397	1/1968	Murphy	.....	126/271.2 A
3,400,244	9/1968	Meltzer	.....	126/271.1

**FOREIGN PATENT DOCUMENTS**

2068101 8/1981 United Kingdom ..... 126/271.2 R

*Primary Examiner*—Wallace R. Burke

*Assistant Examiner*—Lisa Lichtenstein

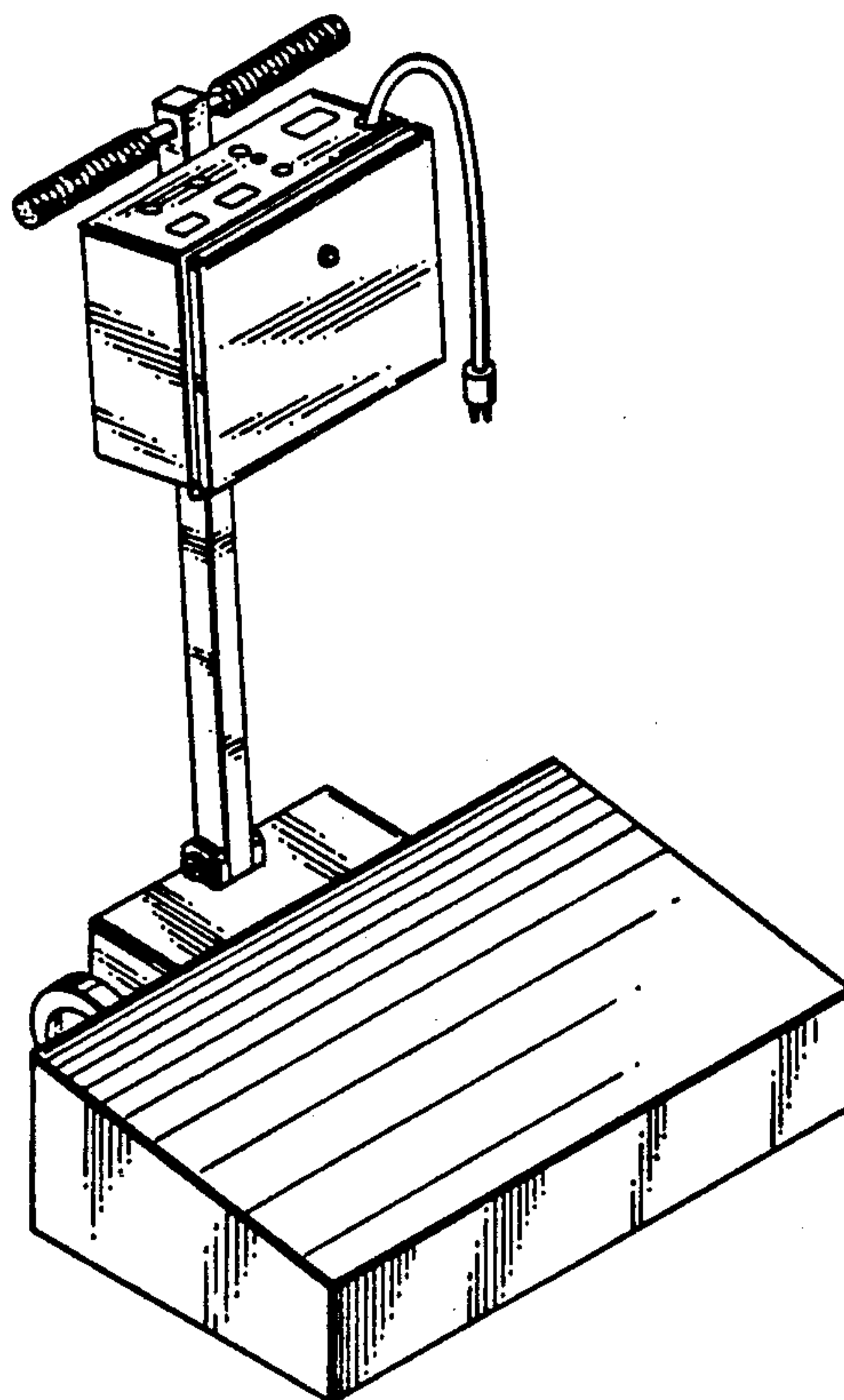
*Attorney, Agent, or Firm*—William C. Crutcher

[57] **CLAIM**

The ornamental design for an infrared floor tile heater for use in floor tile removal, as shown and described.

**DESCRIPTION**

FIG. 1 is a front, top, and left side perspective view of an infrared floor tile heater for use in floor tile removal showing my new design in unfolded operating position; FIG. 2 is a top plan view thereof; FIG. 3 is a front elevational view thereof; FIG. 4 is a right side elevational view thereof, the opposite side being a mirror image of that shown; FIG. 5 is a rear elevational view thereof; FIG. 6 is a front, top, and left side perspective view thereof in folded position for transporting; FIG. 7 is a top plan view of FIG. 6; FIG. 8 is a front elevational view of FIG. 6; FIG. 9 is a right side elevational view of FIG. 6, the opposite side being a mirror image of that shown; FIG. 10 is a rear elevational view of FIG. 6; FIG. 11 is a front top and left side perspective view of an infrared floor tile heater for use in floor file removal showing a second embodiment of my new design; FIG. 12 is a top plan view of FIG. 11; FIG. 13 is a front elevational view of FIG. 11; FIG. 14 is a right side elevational view of FIG. 11, the opposite side being a mirror image of that shown; and, FIG. 15 is a rear elevational view of FIG. 11. The second embodiment, shown in FIGS. 11-15, is not foldable.



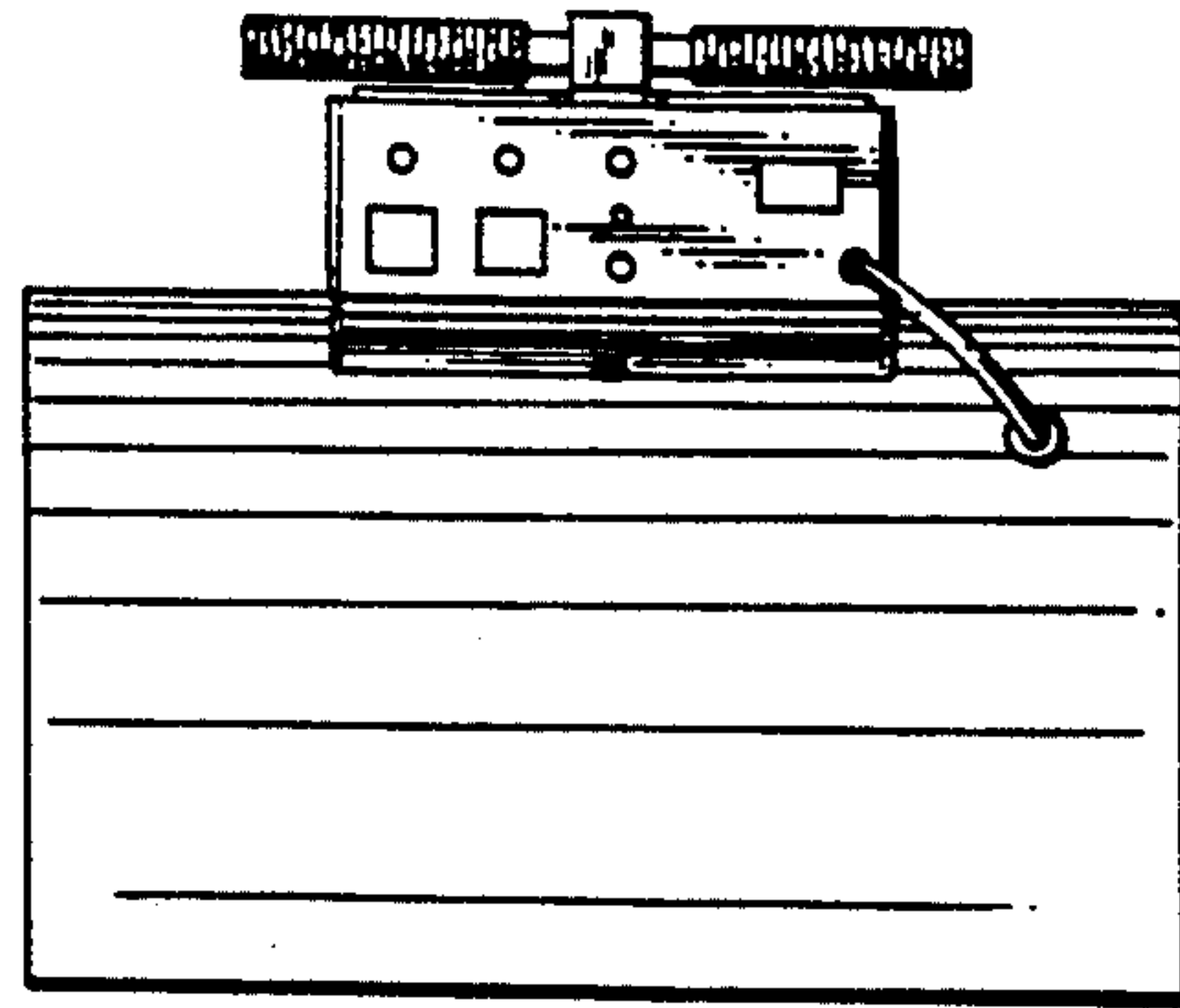
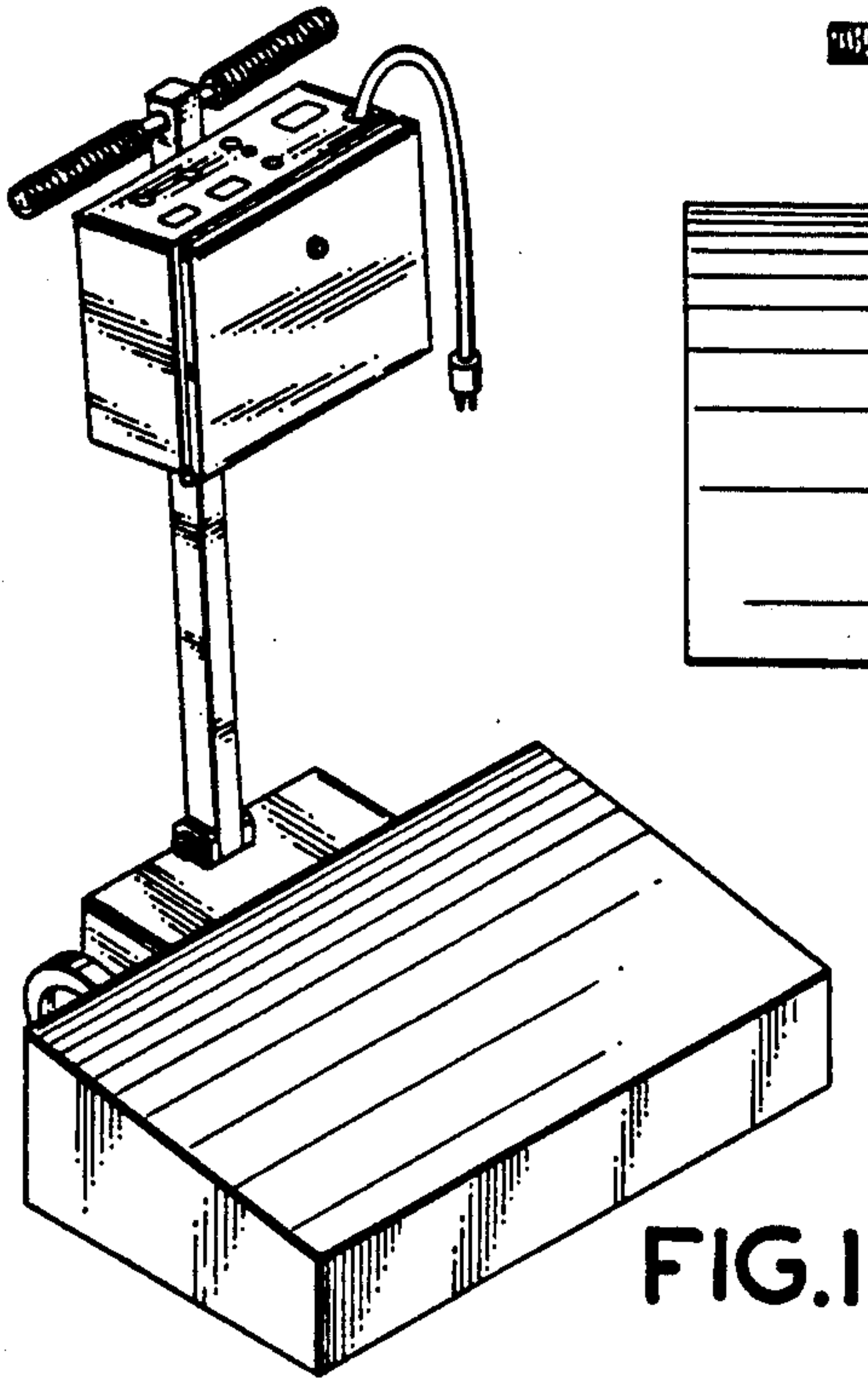


FIG. 2

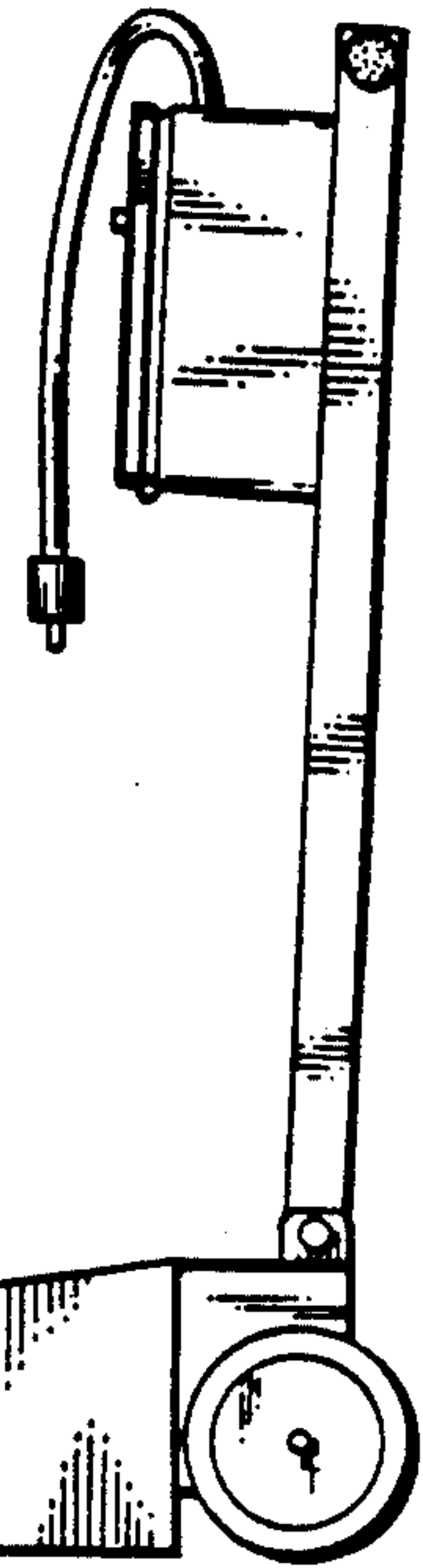


FIG. 4

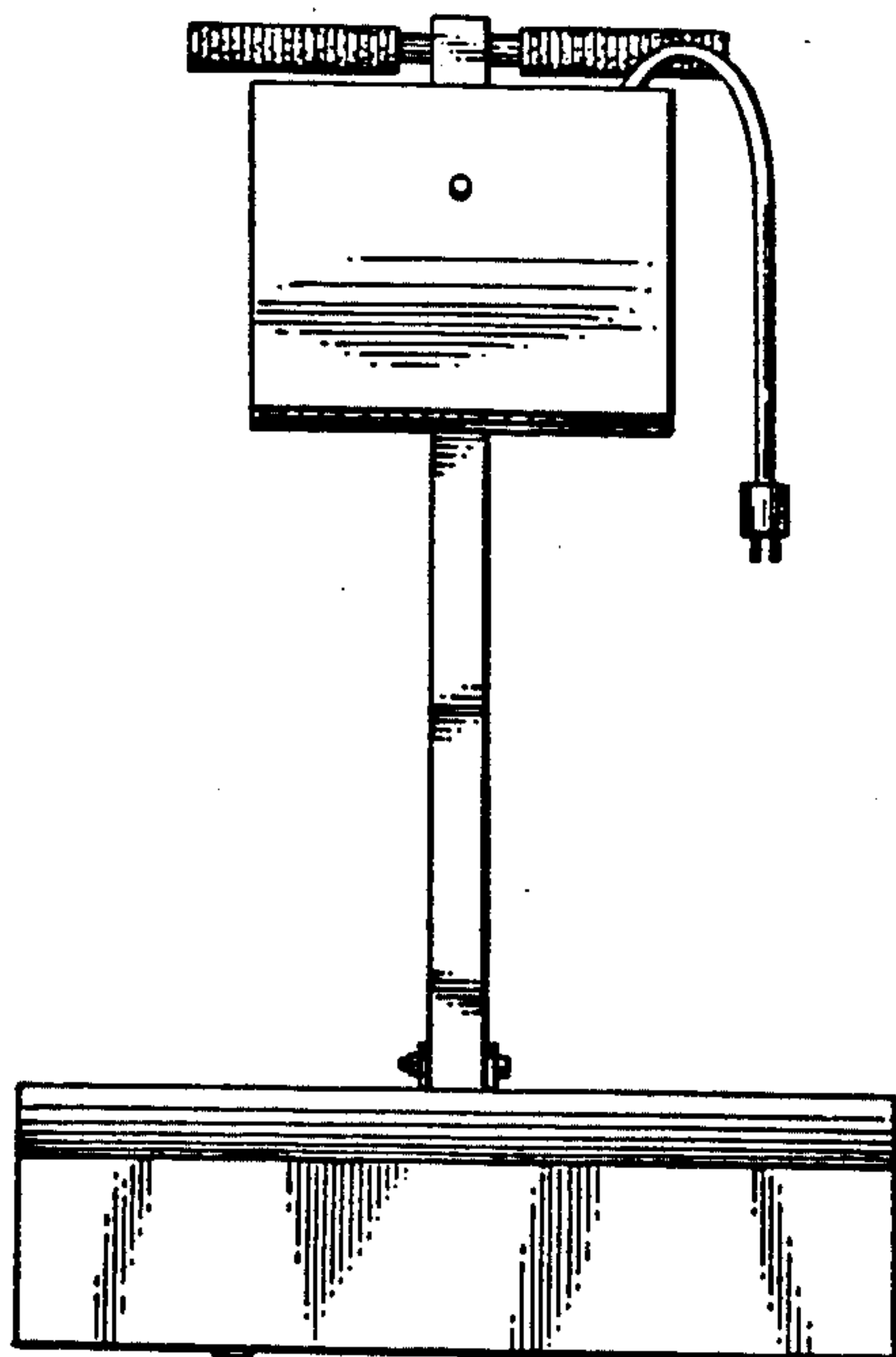


FIG. 3

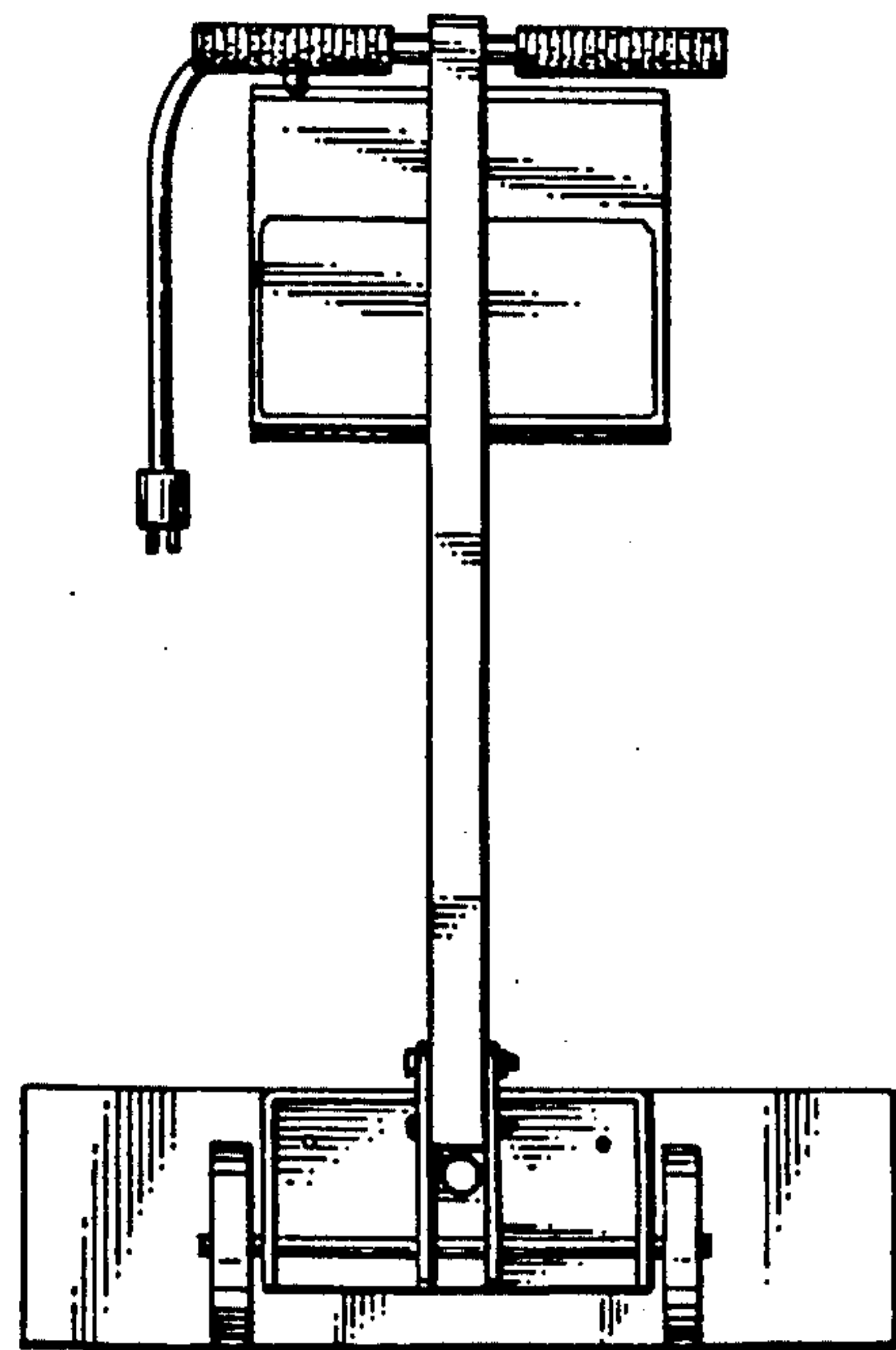


FIG. 5

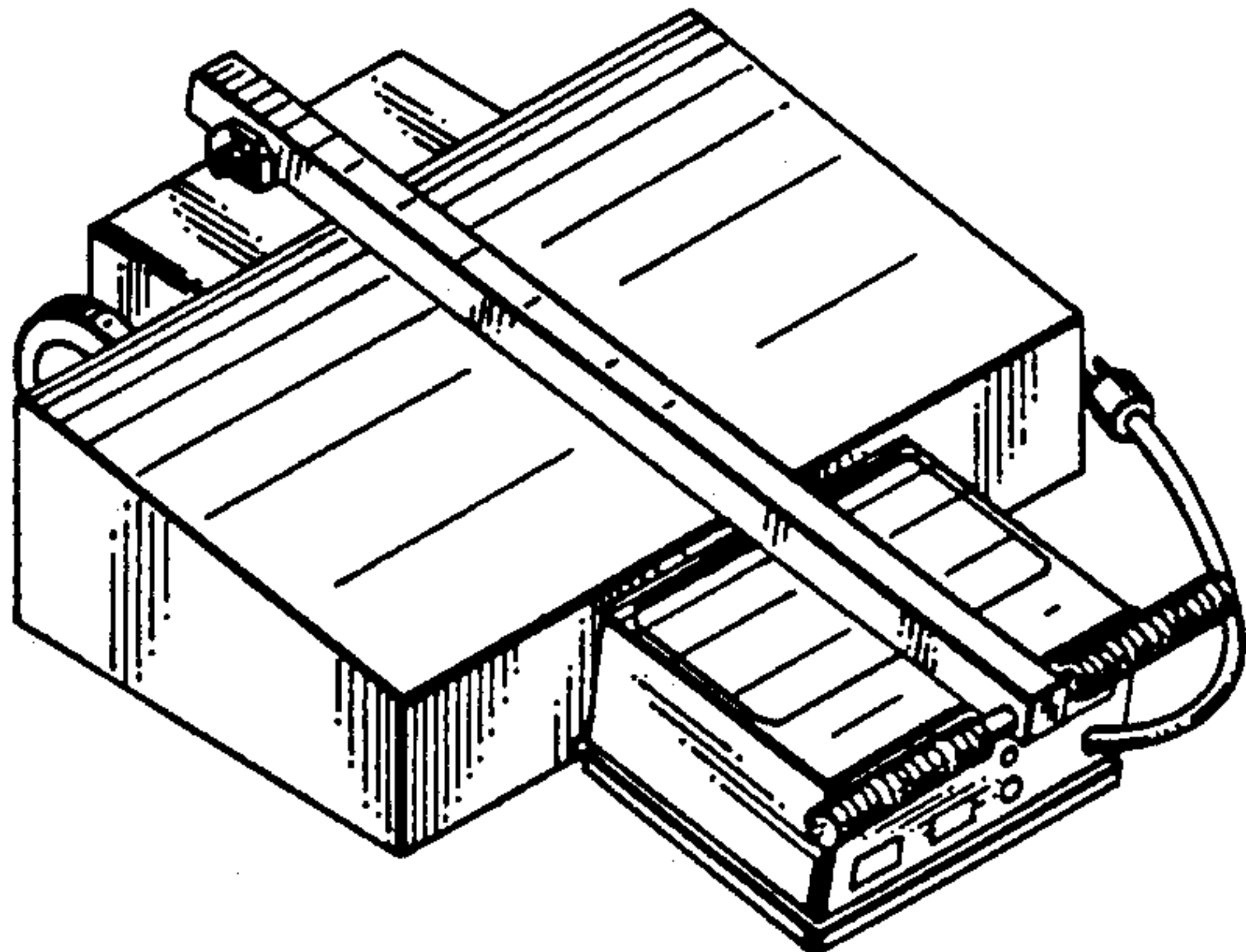


FIG. 6

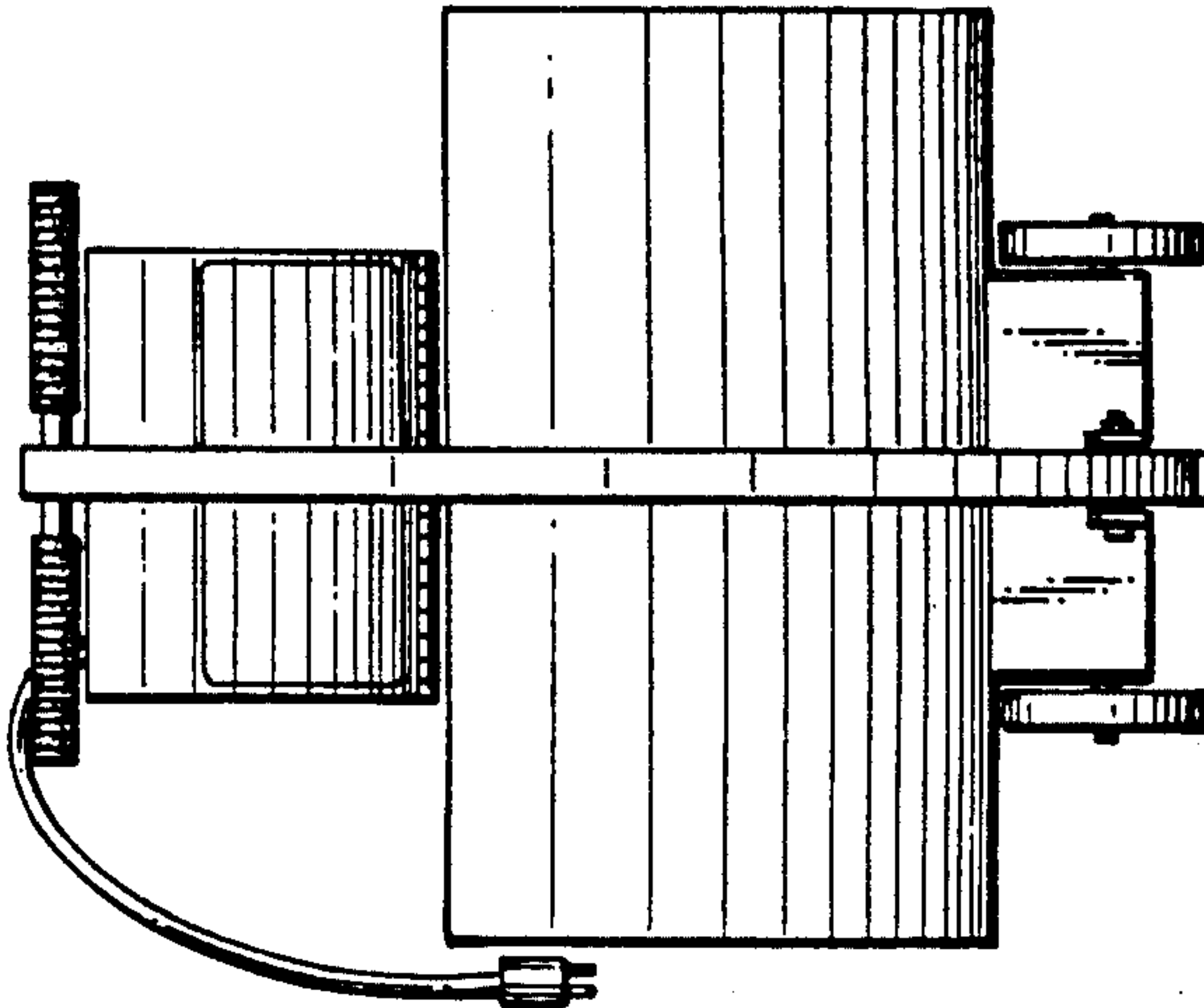


FIG. 7

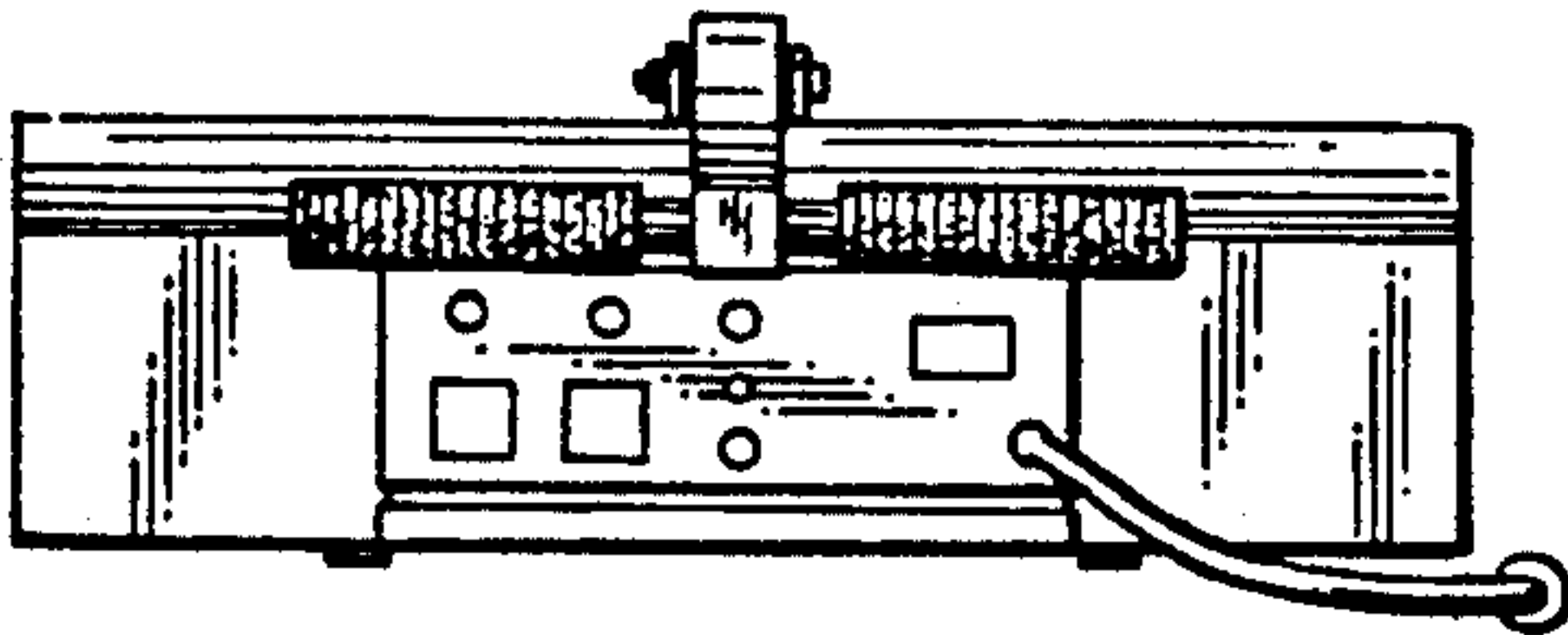


FIG. 8

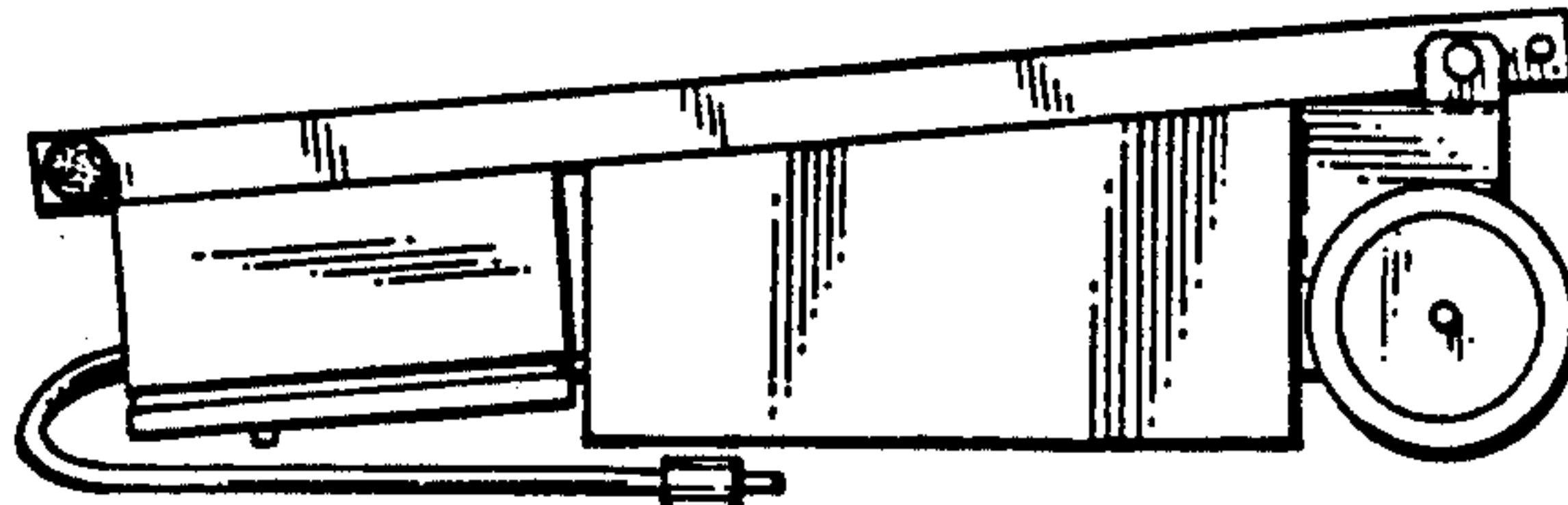


FIG. 9

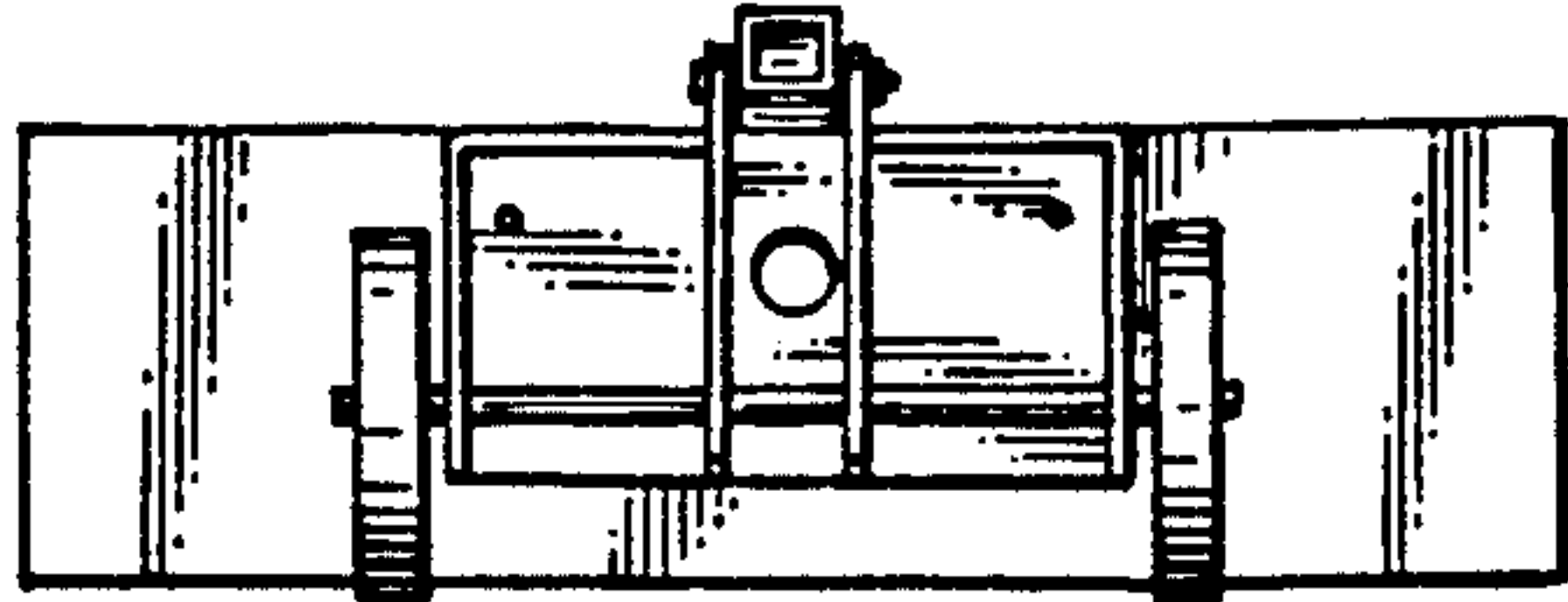


FIG. 10



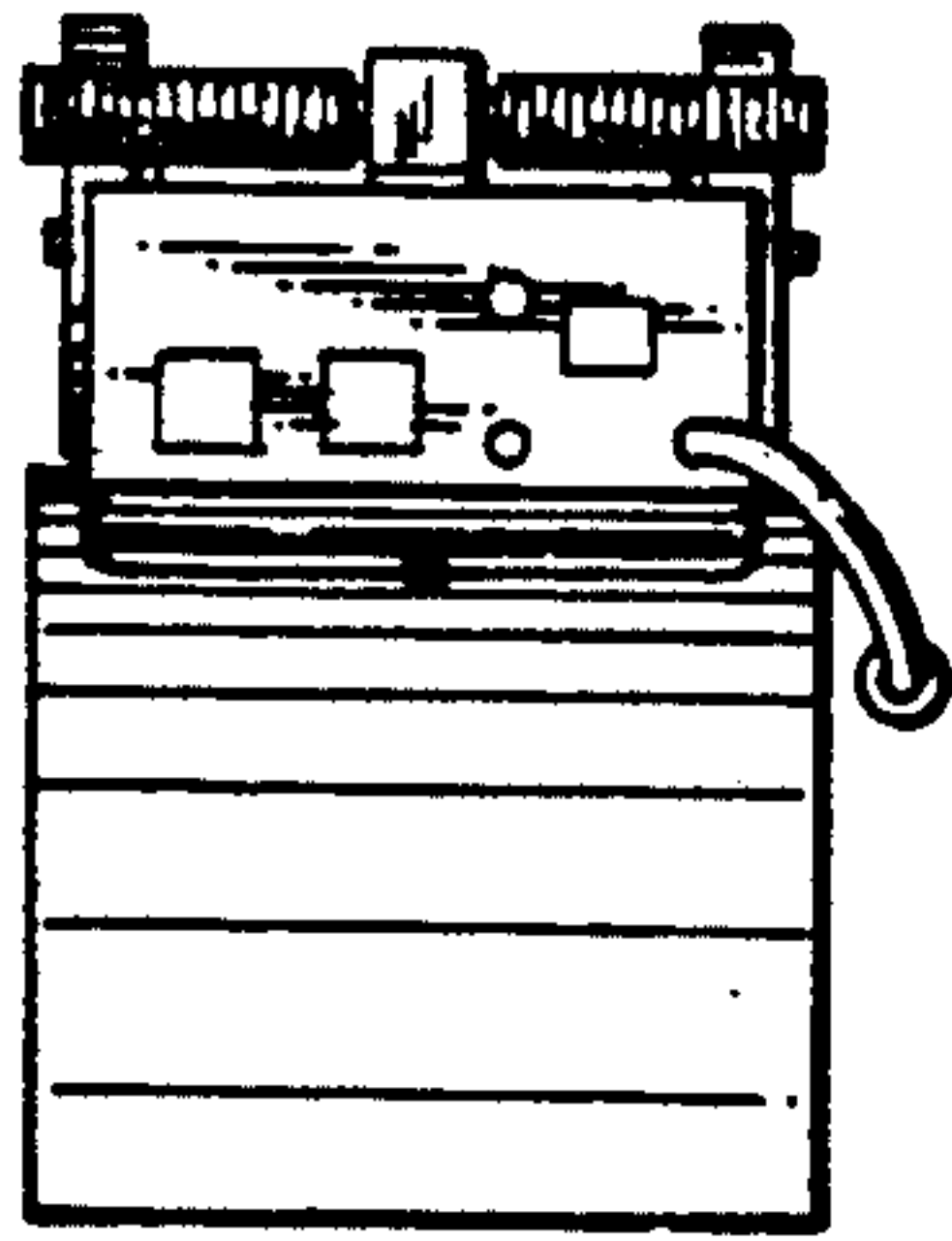


FIG. 12

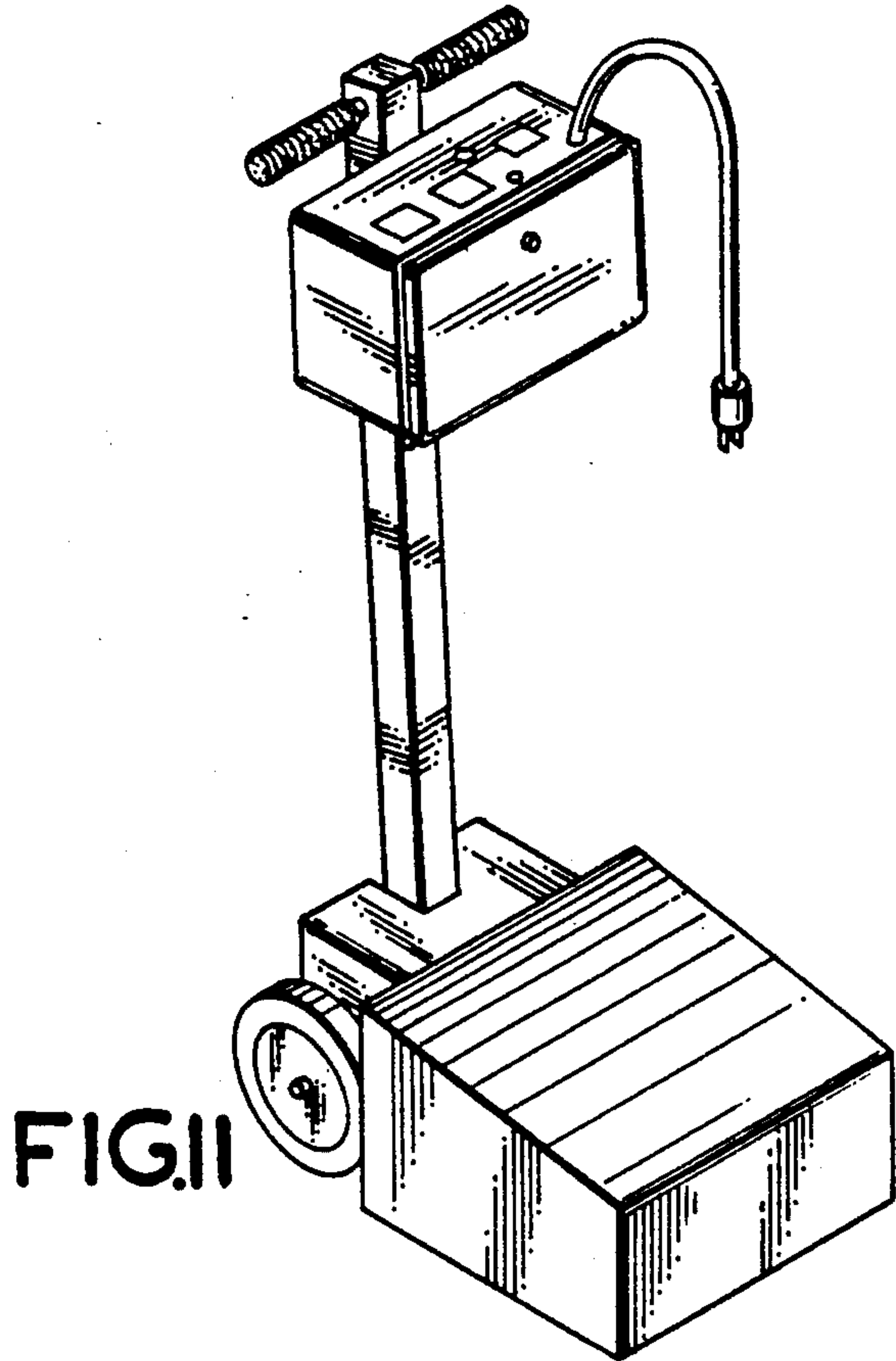


FIG. 11

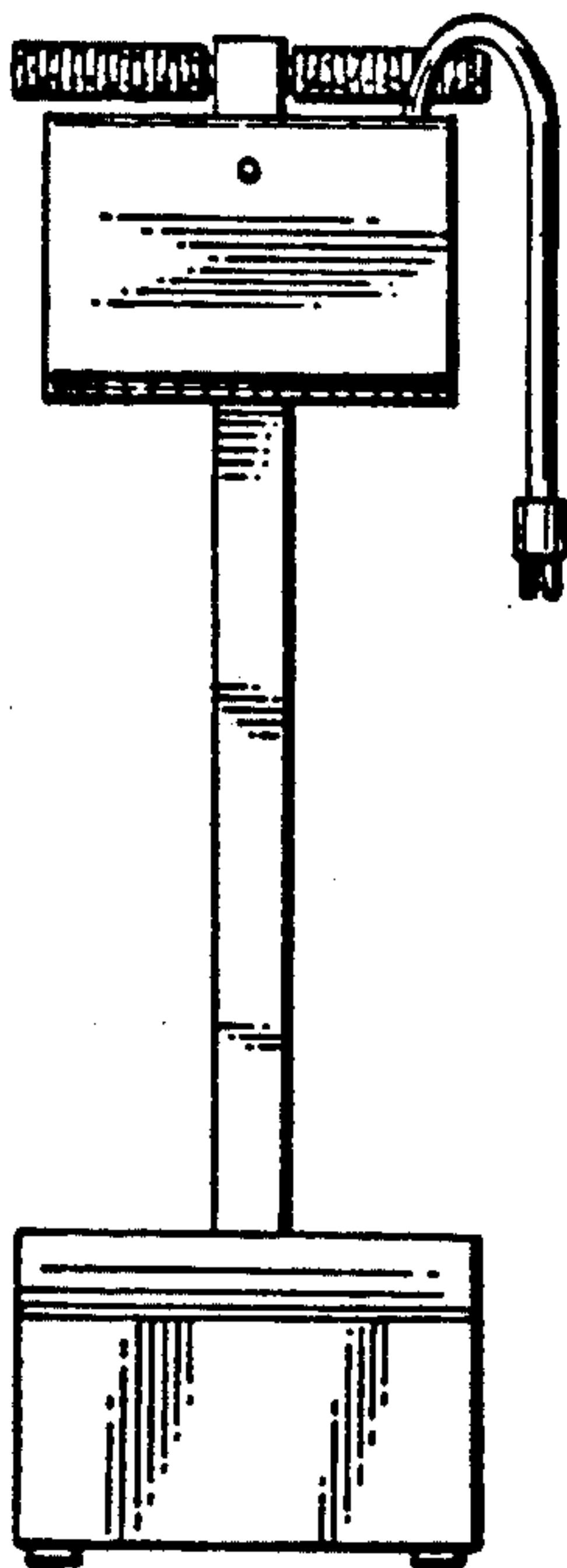


FIG. 13

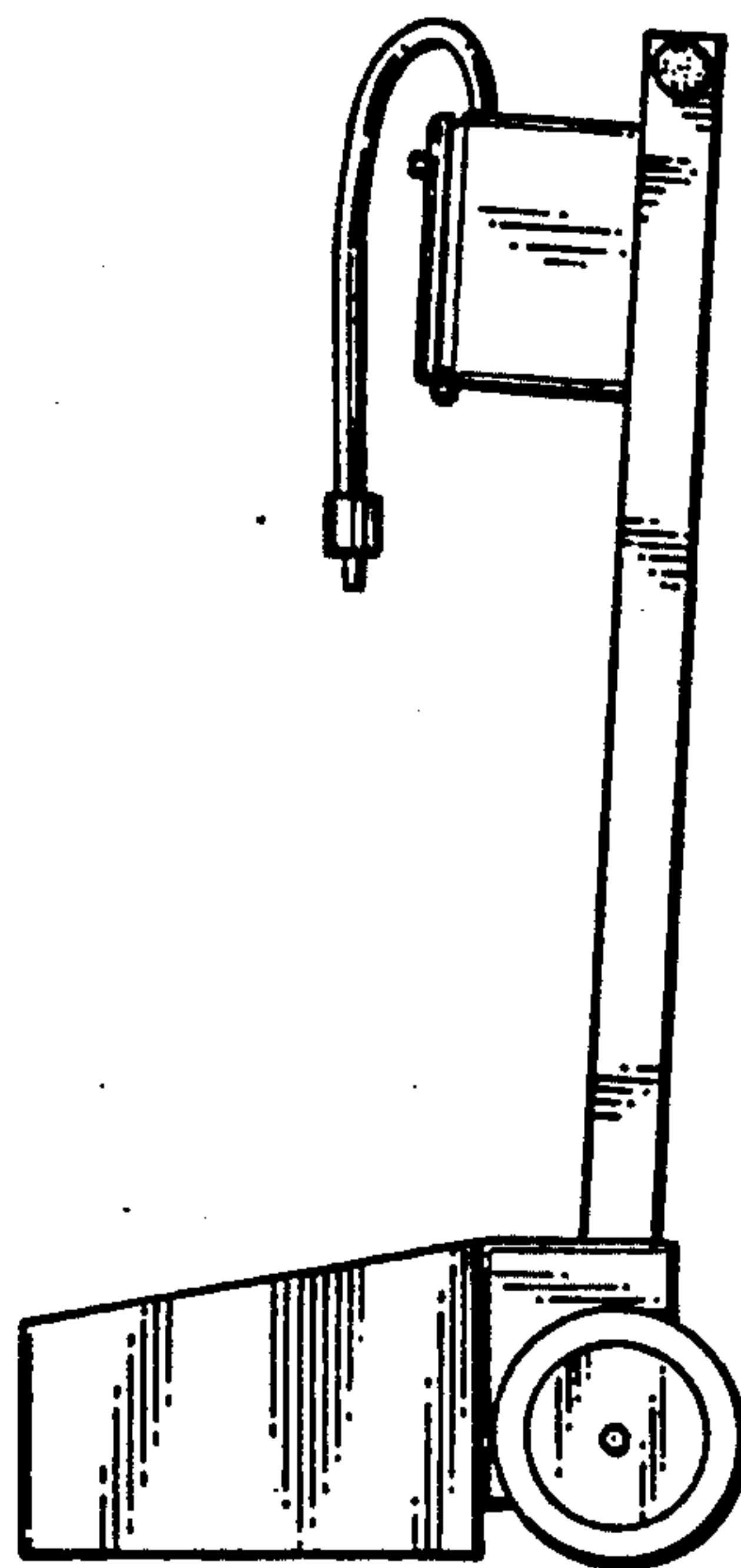


FIG. 14

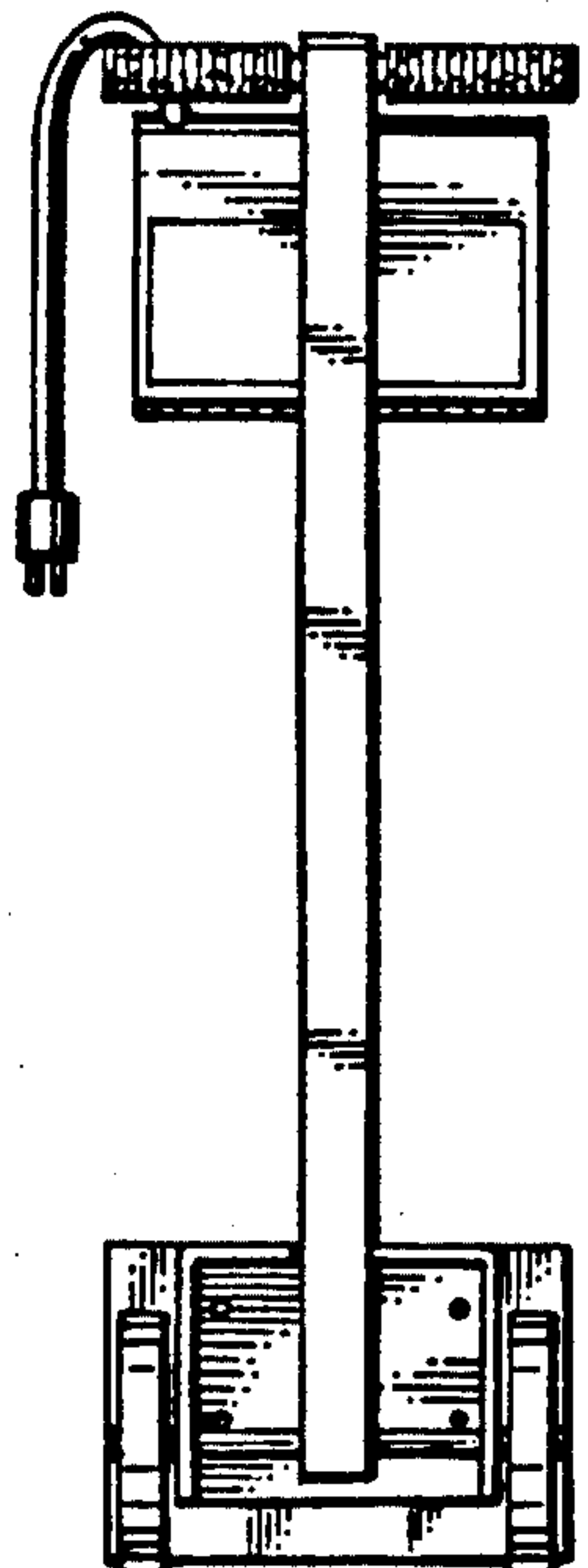


FIG. 15