



US00D333343S

United States Patent [19]

Farchione

[11] Patent Number: **Des. 333,343**

[45] Date of Patent: **** Feb. 16, 1993**

[54] PORTABLE SHAMPOO AND STYLING UNIT

[76] Inventor: **Samuel P. Farchione**, Lakeshore Village Plz., 3900 Clark Rd., Bldg. H-2, Sarasota, Fla. 33583

[**] Term: **14 Years**

[21] Appl. No.: **588,320**

[22] Filed: **Sep. 26, 1990**

[52] U.S. Cl. **D23/271; D23/286; D28/20**

[58] Field of Search **D28/9, 20, 99; D23/271, D23/286, 289; D6/335, 336, 364, 365, 367, 368, 370, 380, 360, 362; 4/515-523**

[56] References Cited

U.S. PATENT DOCUMENTS

D. 135,585	4/1943	Ellinger	D28/20 X
D. 170,159	8/1953	Levin	D23/286
D. 304,703	11/1989	Phillips	D28/20 X
931,105	8/1934	Hudson	D23/289
2,194,804	3/1940	Mayhew	D23/289 X
2,315,153	3/1943	Ellinger	4/517
2,682,058	6/1954	Wolfe	4/516
2,760,207	8/1956	Glintz	4/516
2,850,742	9/1958	Glintz	4/516
3,013,280	12/1961	Coffman et al.	4/516
3,192,537	7/1965	Coffman et al.	D28/289 X
3,416,517	12/1968	Adams et al.	128/65
3,575,181	4/1971	Rudd	132/272
3,579,656	5/1971	Guarrasi	4/519
4,998,302	3/1991	Silva	4/516

FOREIGN PATENT DOCUMENTS

1554034 11/1969 Fed. Rep. of Germany 4/517

OTHER PUBLICATIONS

Modern Salon Feb. 1986, p. 30-center: Chair #999.
Modern Salon Jan. 1987, p. 98-center: Milano Styling Chair.

Modern Salon Jun. 1987, p. 37-lower right: Contoura Styling Chair.

Primary Examiner—Bernard Ansher

Assistant Examiner—C. Tuttle

Attorney, Agent, or Firm—Jones, Tullar & Cooper

[57] CLAIM

The ornamental design for a portable shampoo and styling unit, as shown.

DESCRIPTION

FIG. 1 is a front perspective view of a portable shampoo and styling unit showing my new design with the seat, seat back and support rack positioned for transport;

FIG. 2 is a perspective view shown with the seat, seat back and support rack elements in alternate positions;

FIG. 3 is a right side elevational view thereof;

FIG. 4 is a top plan view shown with the hair dryer and styling iron support rack in an extended position;

FIG. 5 is a left side elevational view thereof;

FIG. 6 is a rear elevational view thereof; and,

FIG. 7 is a bottom plan view of FIGS. 2 and 3.

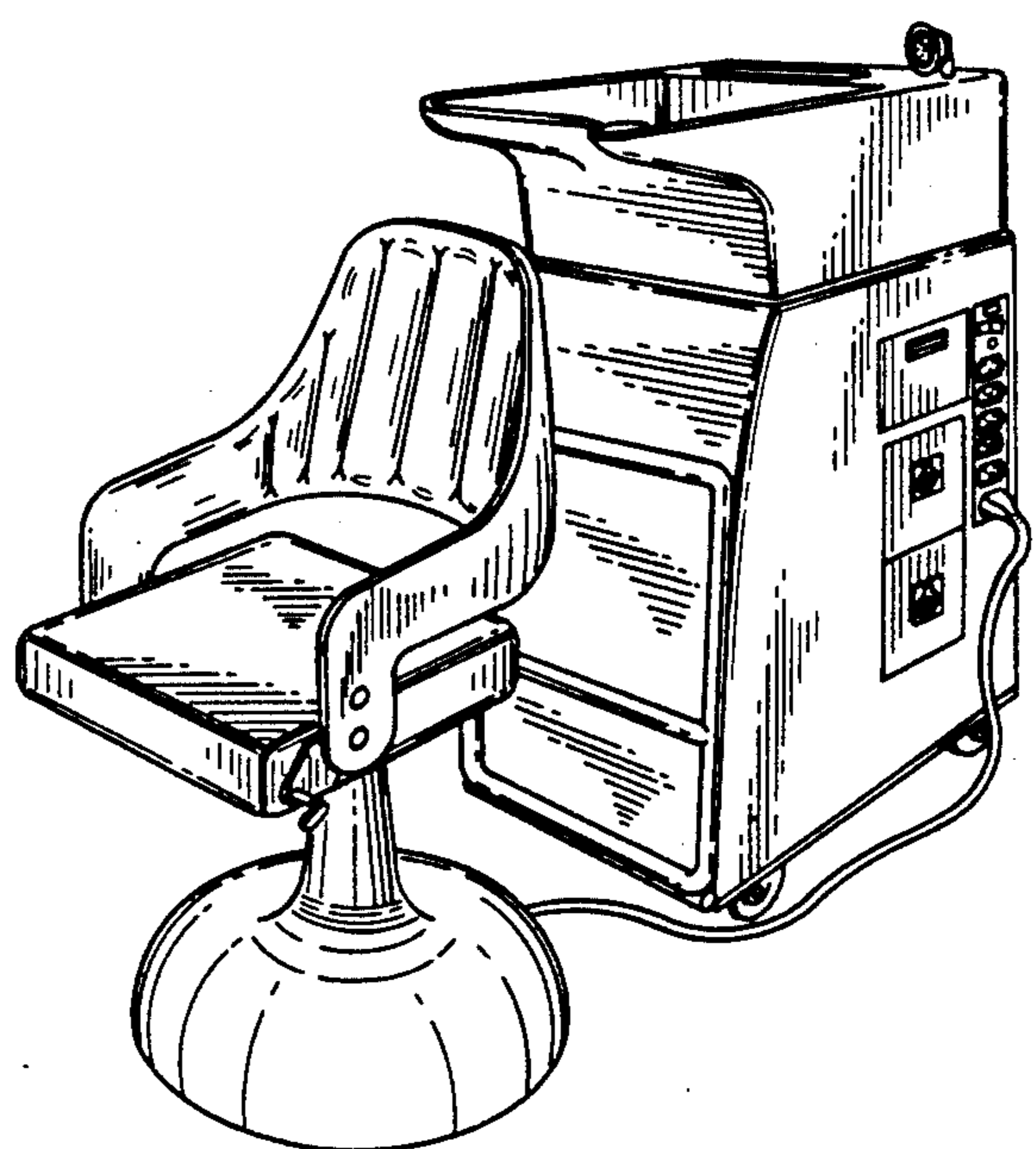
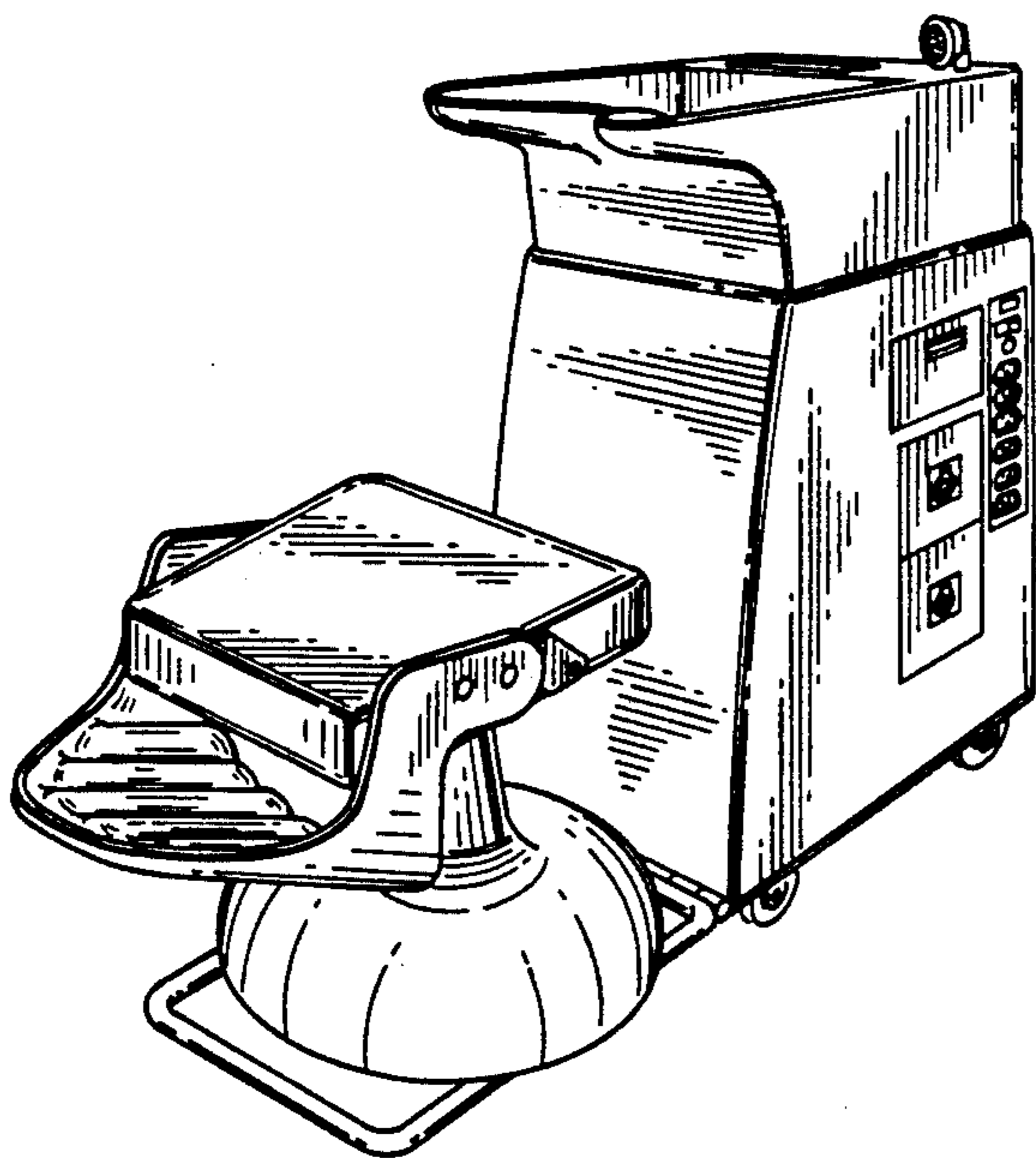


FIG. 1

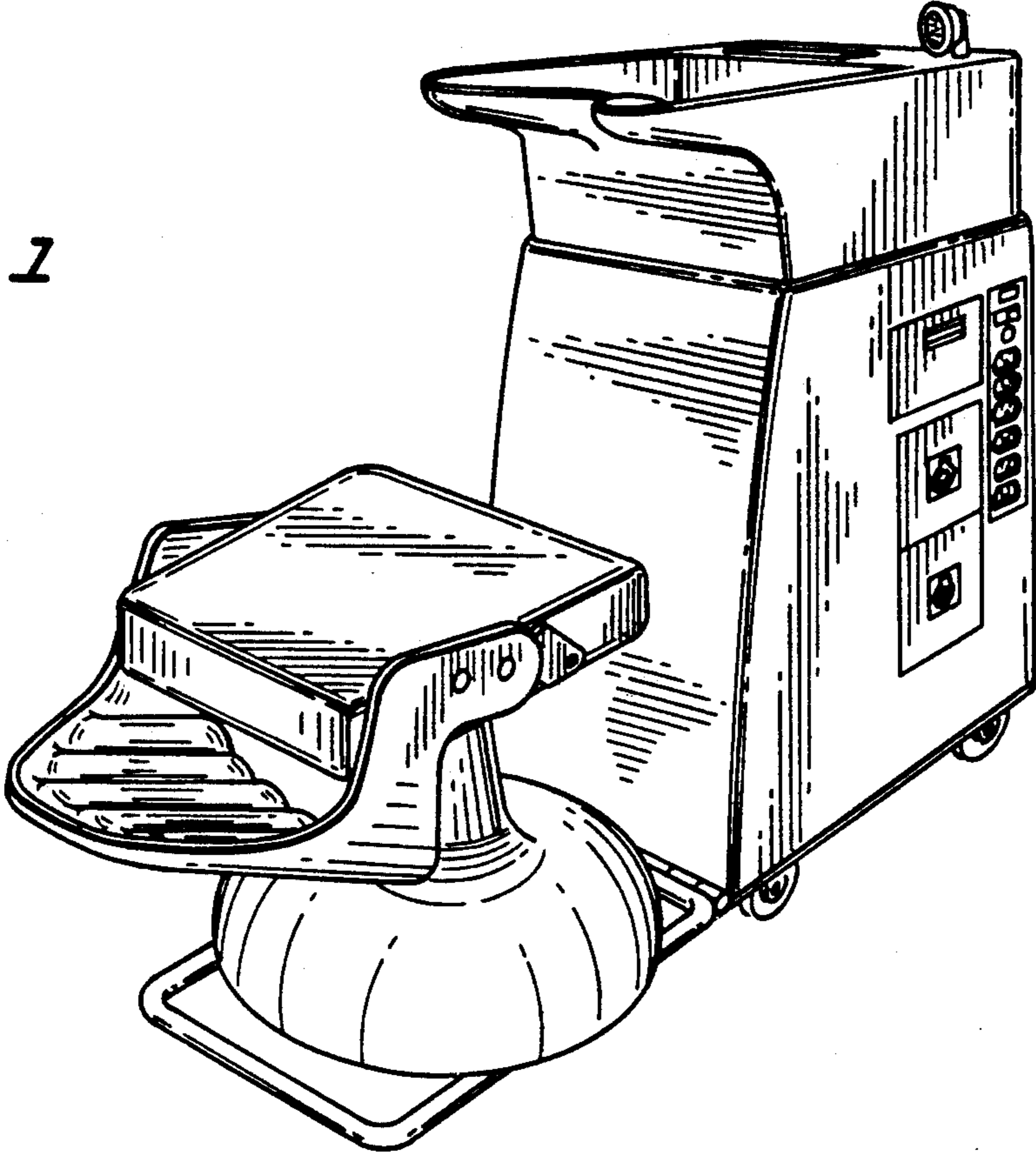
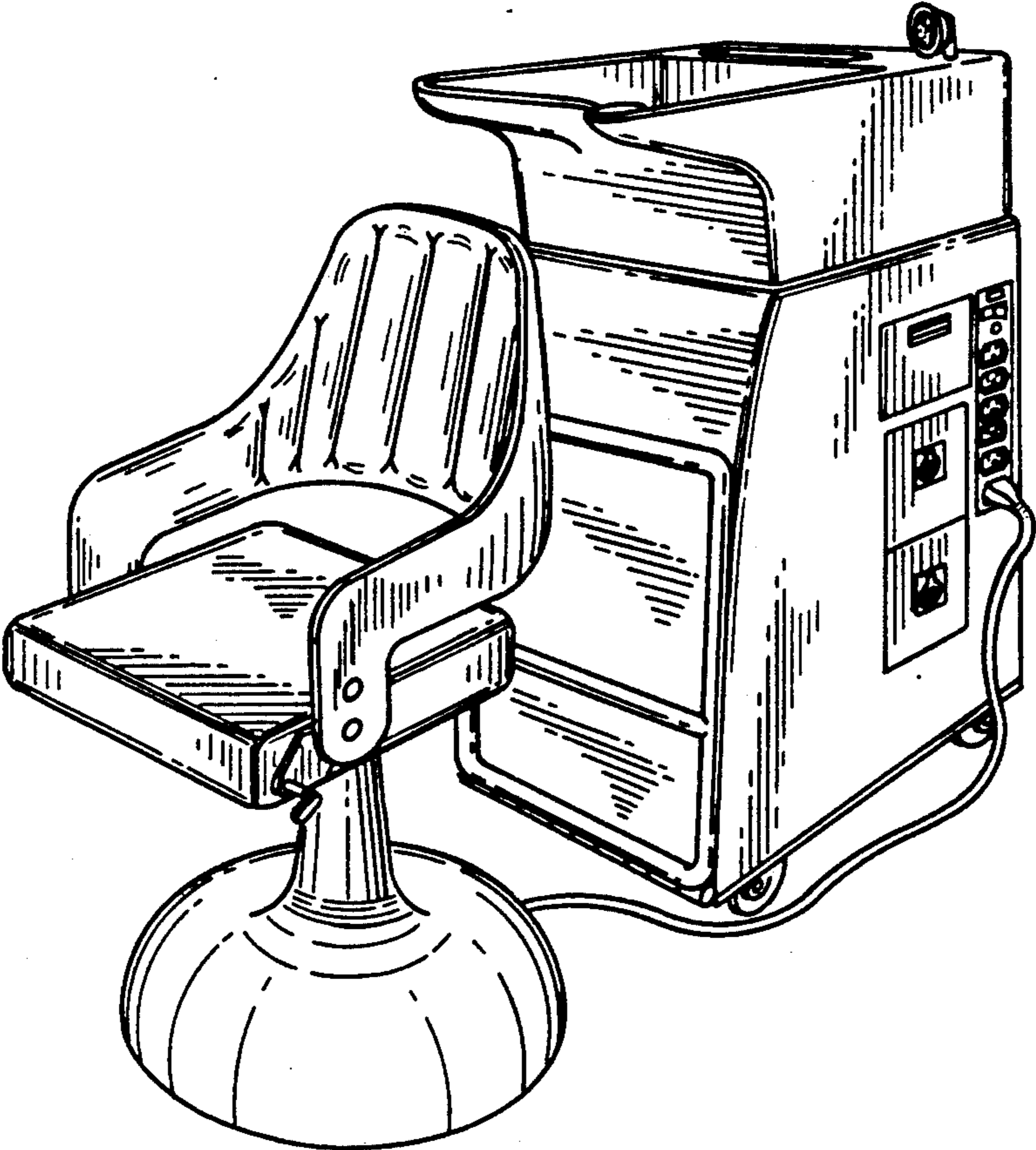


FIG. 2



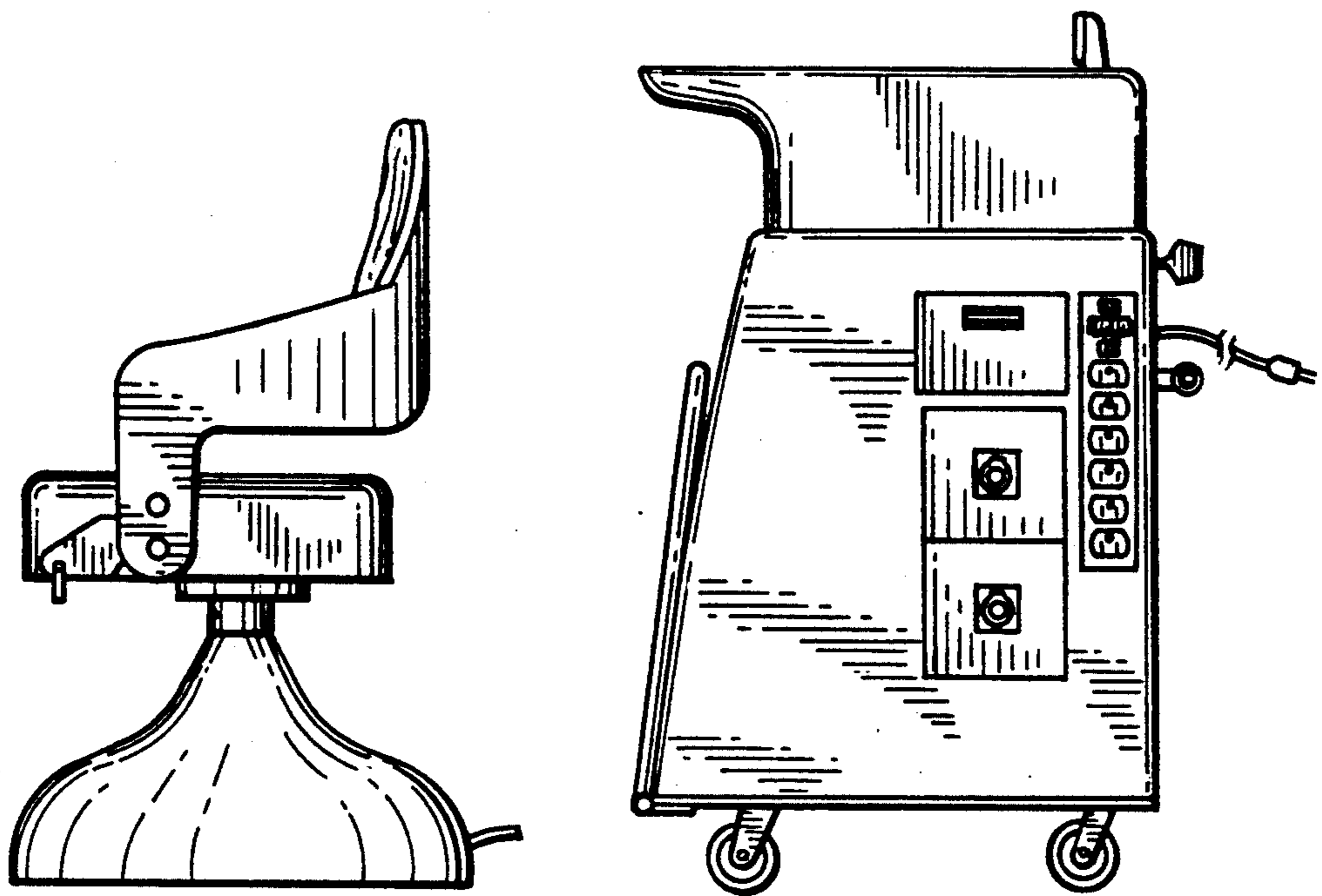


FIG. 3

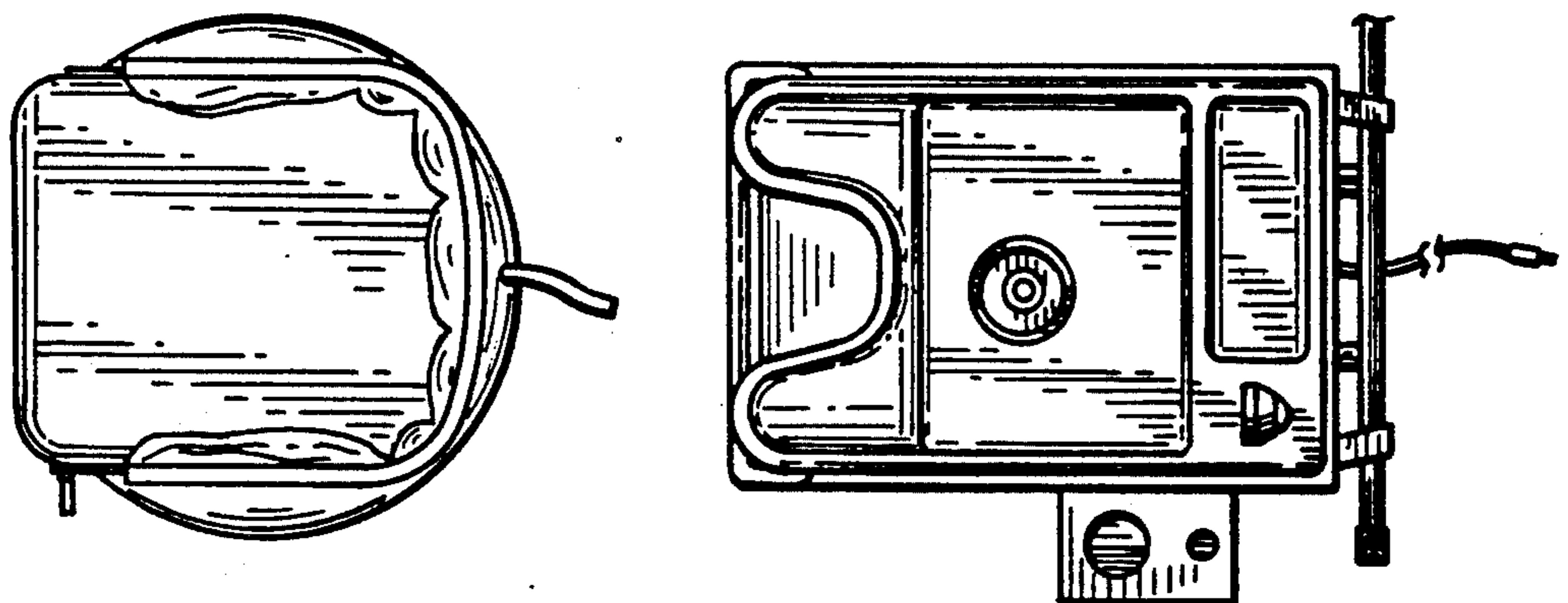


FIG. 4

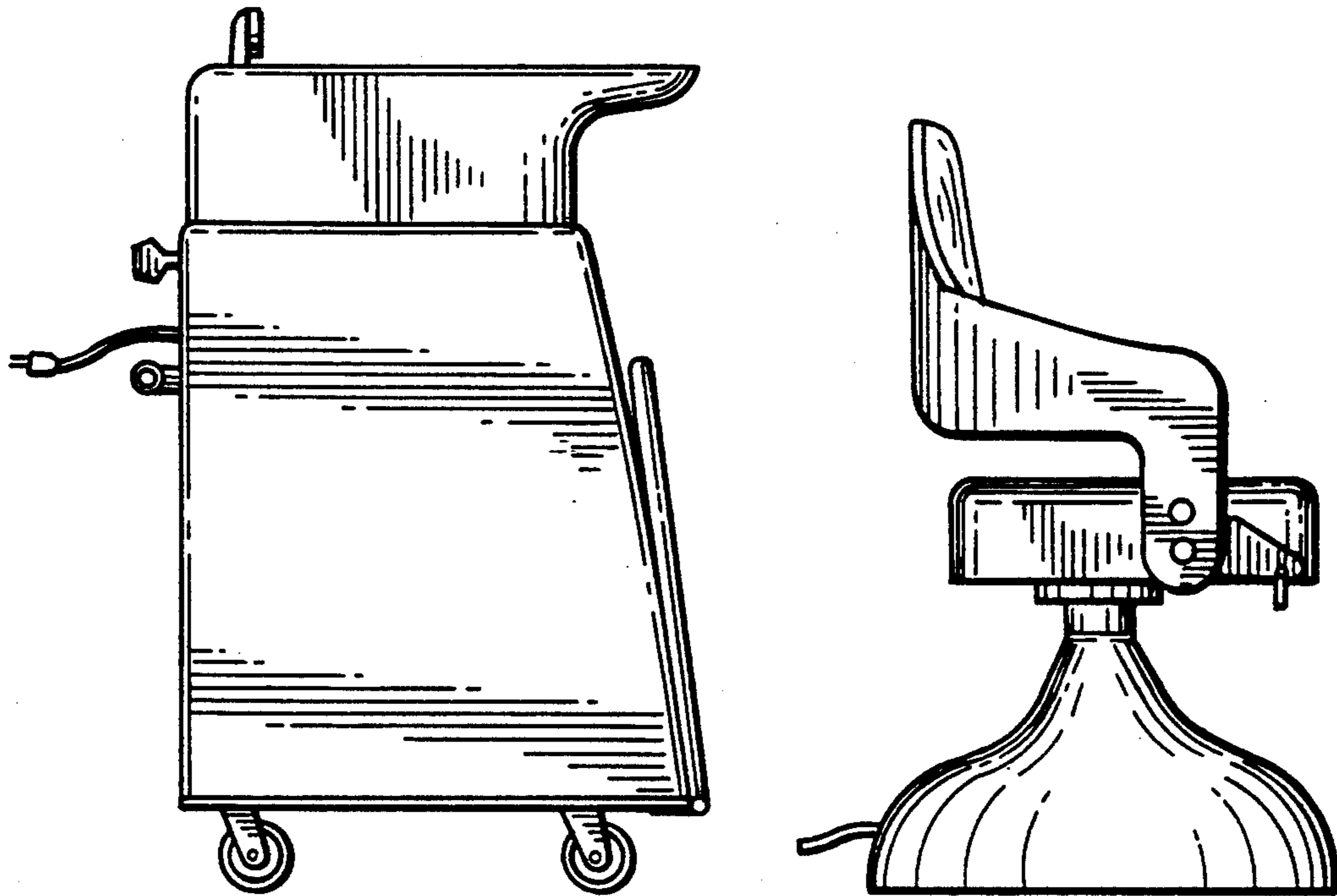


FIG. 5

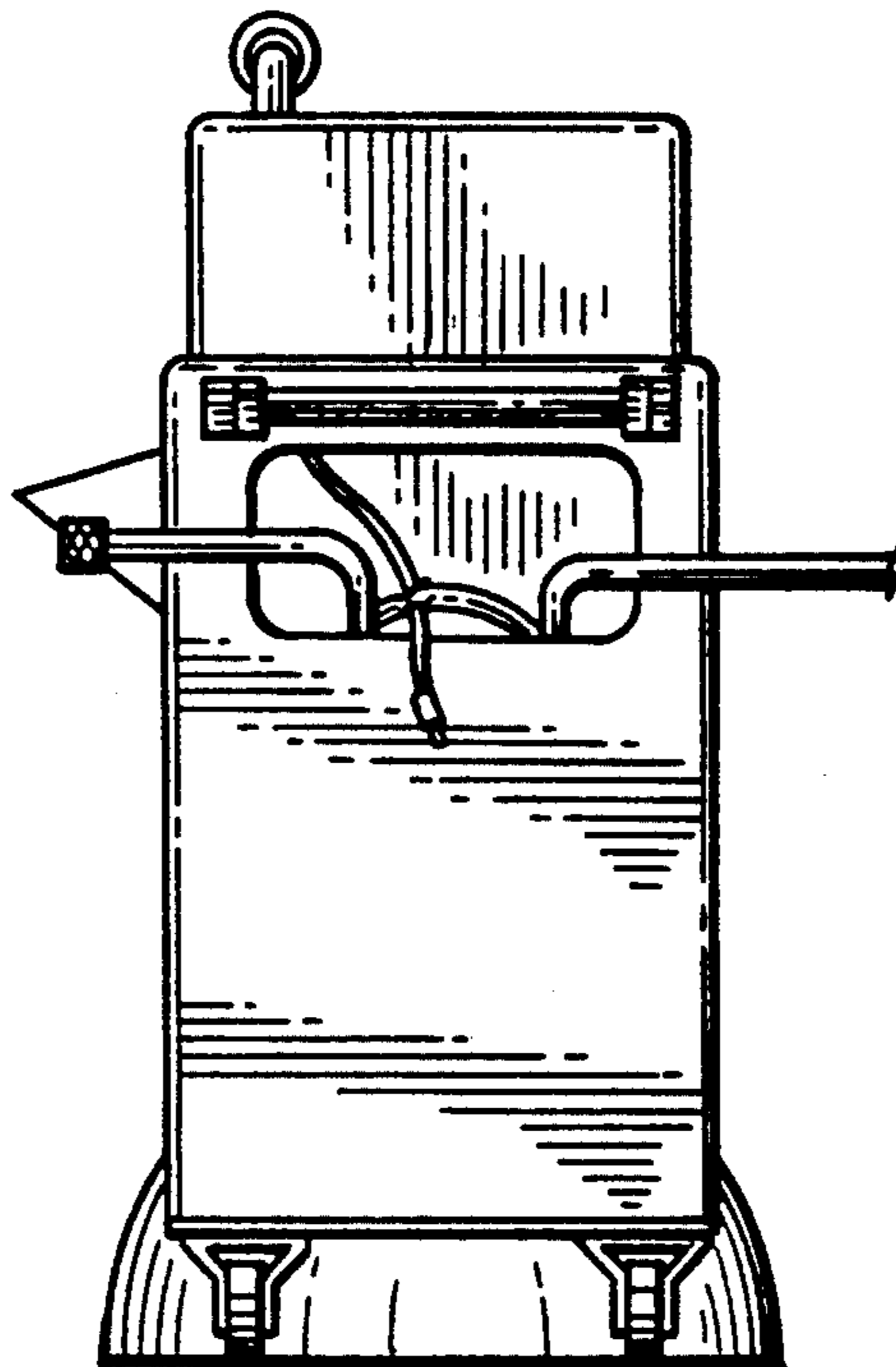


FIG. 6

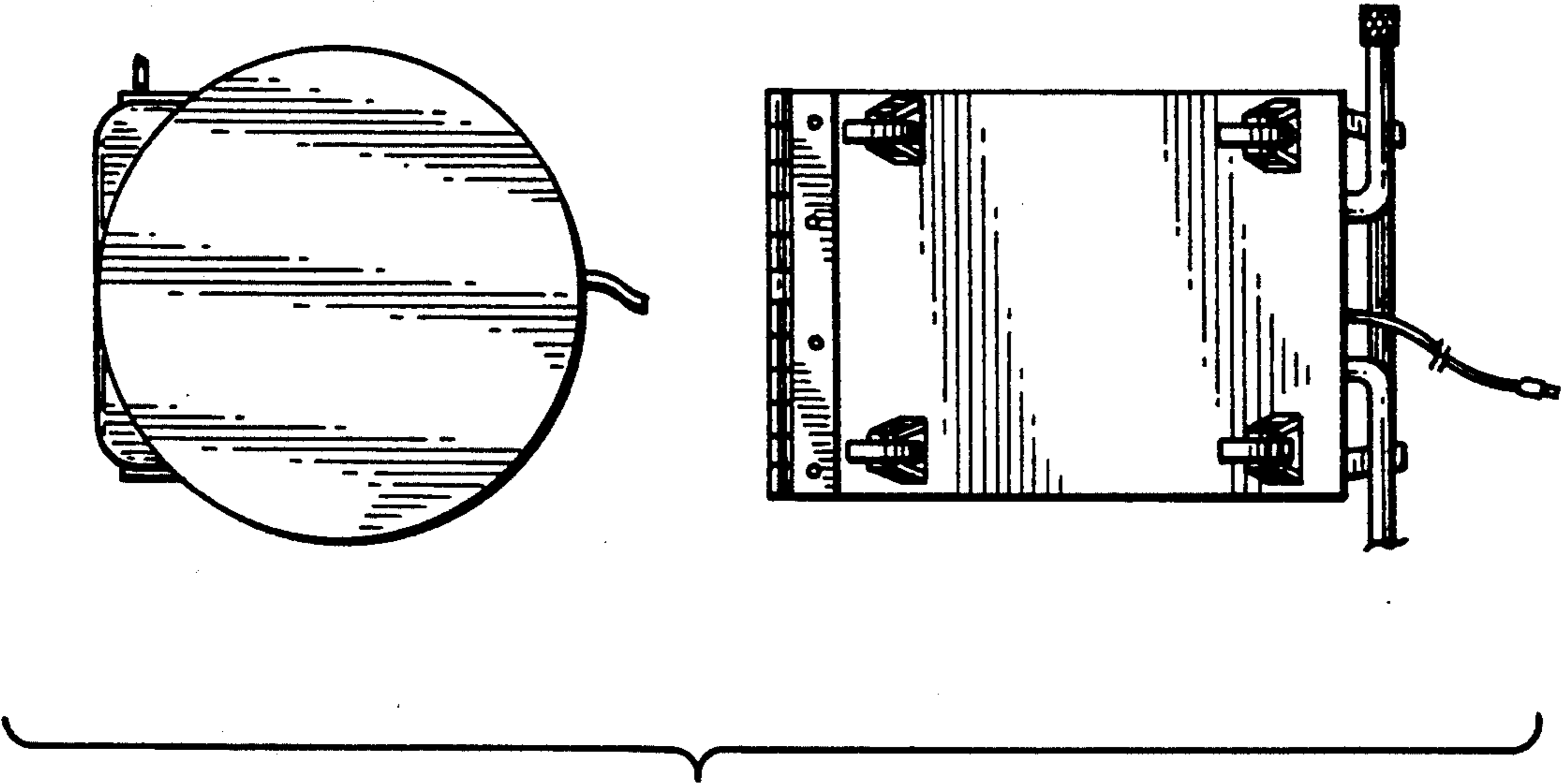


FIG. 7