



US00D333341S

United States Patent [19]

[11] Patent Number: **Des. 333,341**

Tobias et al.

[45] Date of Patent: **** Feb. 16, 1993**

[54] **MULTI-PORT VALVE HANDLE**

1,231,293 6/1917 Peters 137/556.6 X
1,248,781 12/1917 Anderson 137/556
2,536,275 1/1951 Godshall 137/556

[75] Inventors: **Samuel Tobias, Edison, N.J.; Fred Hollinger, Kings Park, N.Y.**

Primary Examiner—James R. Largen
Attorney, Agent, or Firm—Ralph W. Selitto, Jr.

[73] Assignee: **Hayward Industries, Inc., Elizabeth, N.J.**

[57] **CLAIM**

[**] Term: **14 Years**

The ornamental design for a multi-port valve handle, as shown and described.

[21] Appl. No.: **693,410**

DESCRIPTION

[22] Filed: **Apr. 30, 1991**

[52] U.S. Cl. **D23/252**

[58] Field of Search **D23/233-254;**
D8/300, 301, 307-312; 16/118, 119, 121;
137/556, 556.3, 556.6; 251/288

FIG. 1 is a perspective view of a multi-port valve handle showing our new design;
FIG. 2 is a right side elevational view thereof, the left side being a mirror image of the right side;
FIG. 3 is a top plan view thereof;
FIG. 4 is a bottom plan view thereof;
FIG. 5 is a front elevational view thereof; and,
FIG. 6 is a rear elevational view thereof.
The broken line representation of a multi-port valve in FIG. 1 is for purposes of illustration only and forms no part of the claimed design.

[56] **References Cited**

U.S. PATENT DOCUMENTS

D. 198,029	4/1964	Collins, Jr.	D8/311 X
D. 307,045	4/1990	Yost	D8/307 X
935,329	9/1909	Sarrell et al.	137/556.6
1,214,747	2/1917	Botker	137/556.6 X

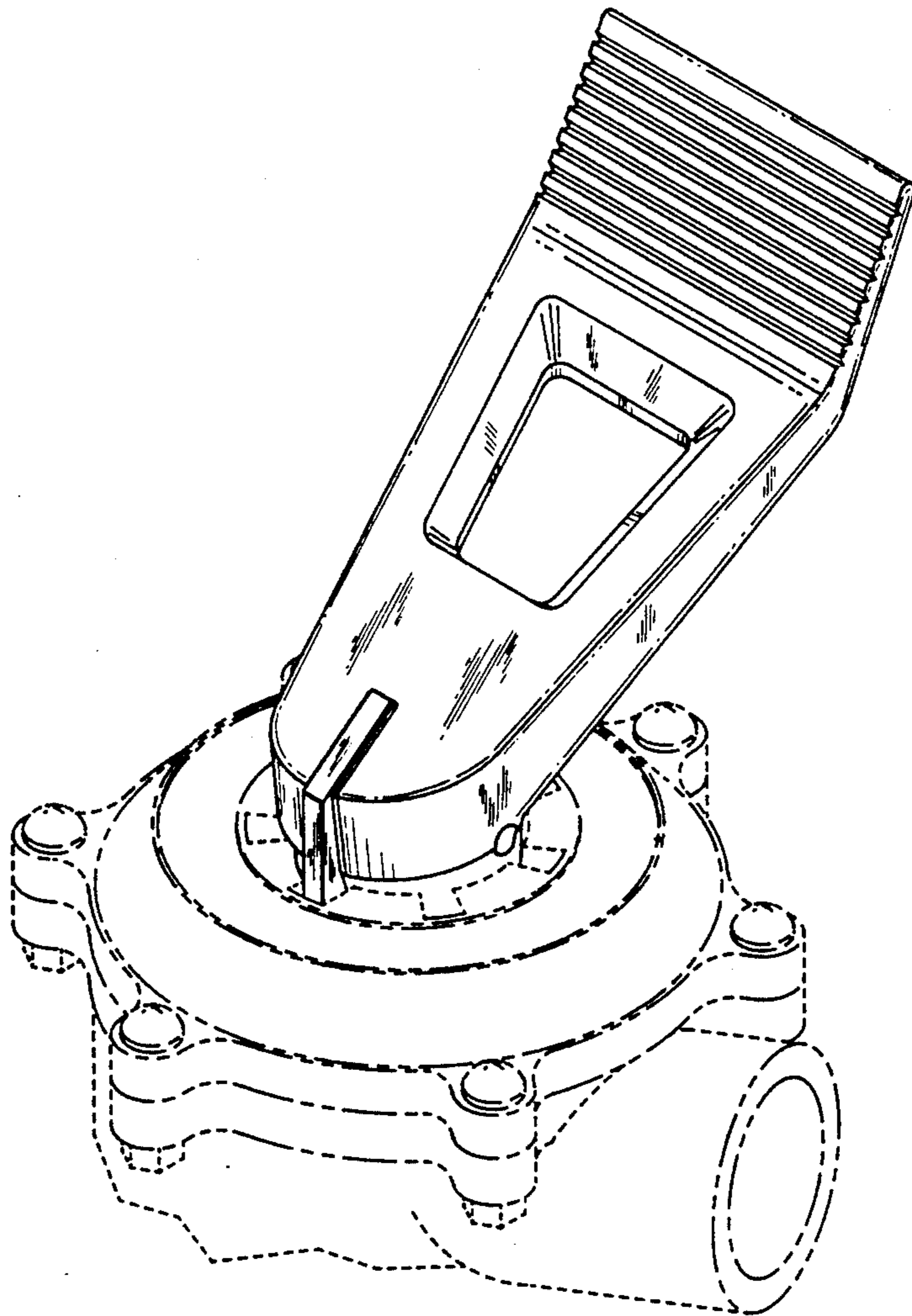


FIG. 1

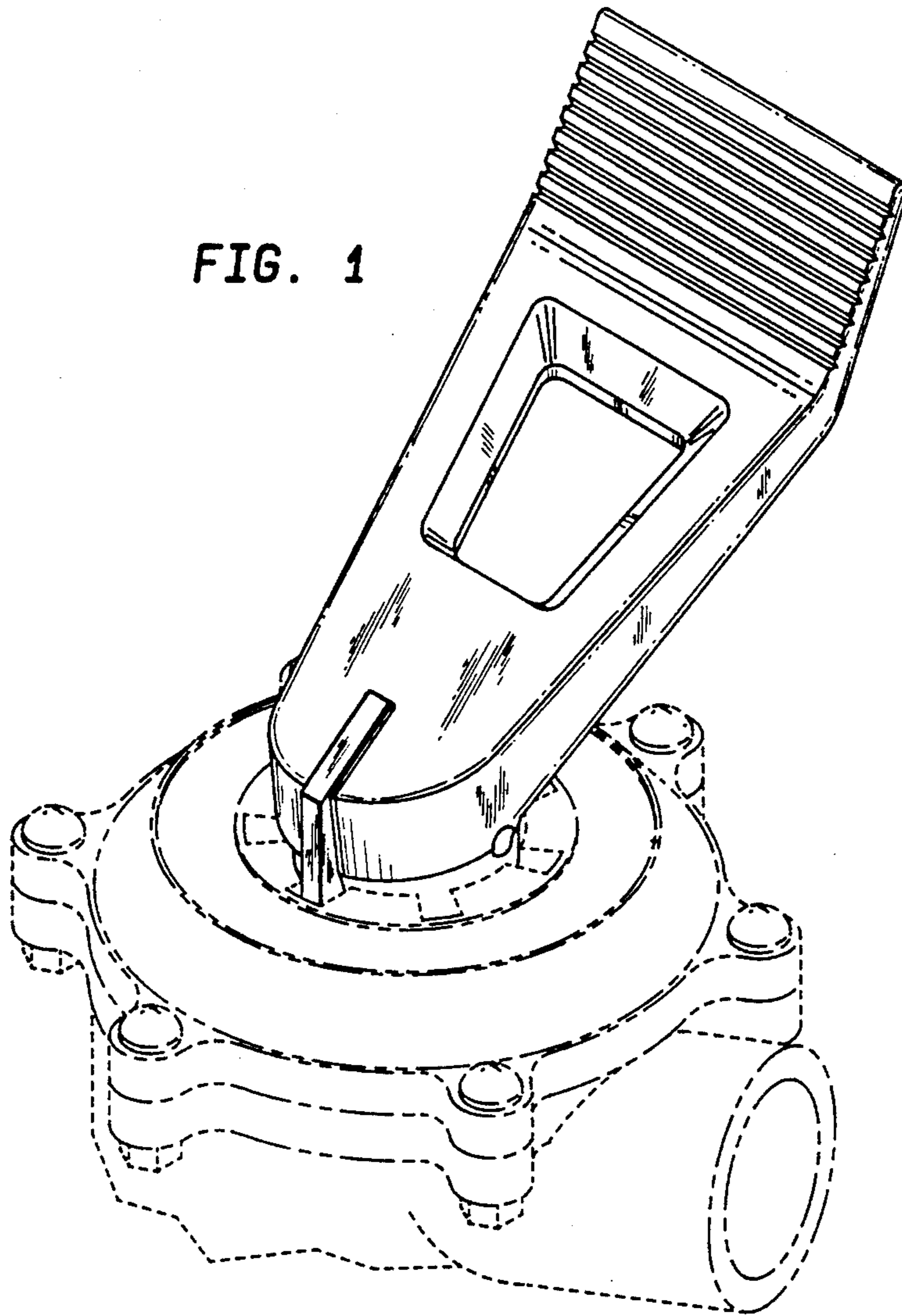


FIG. 2

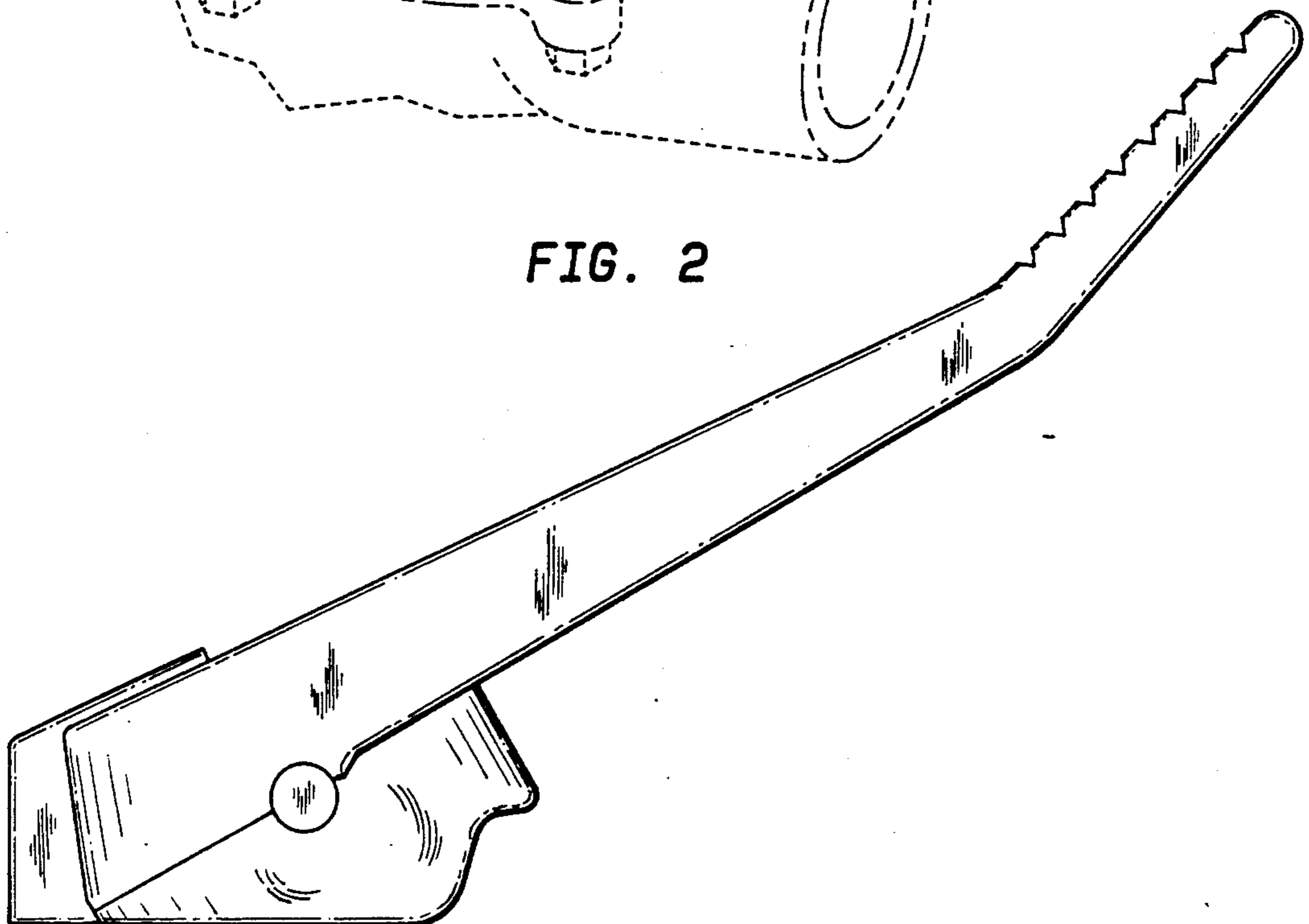


FIG. 3

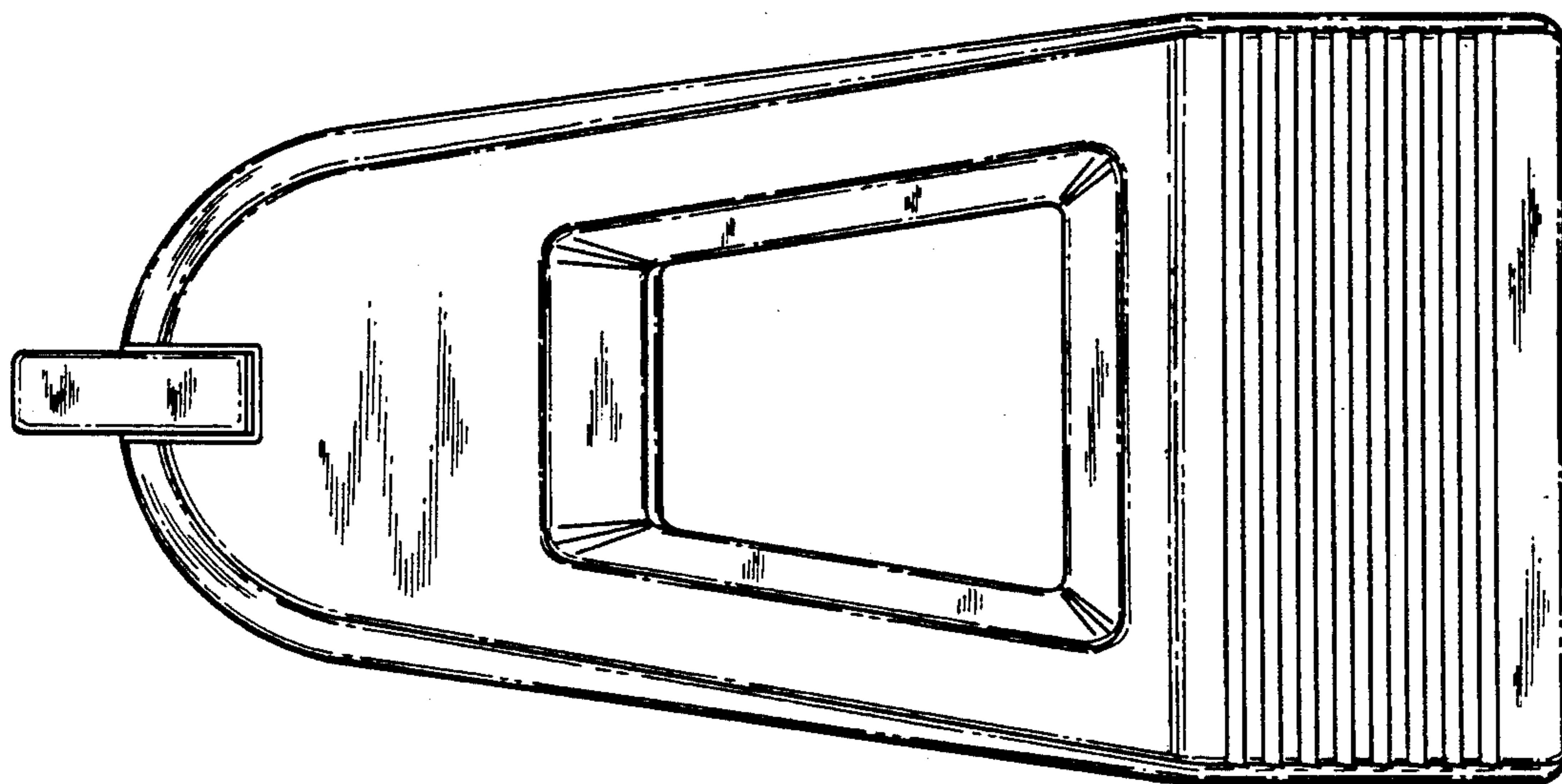


FIG. 4

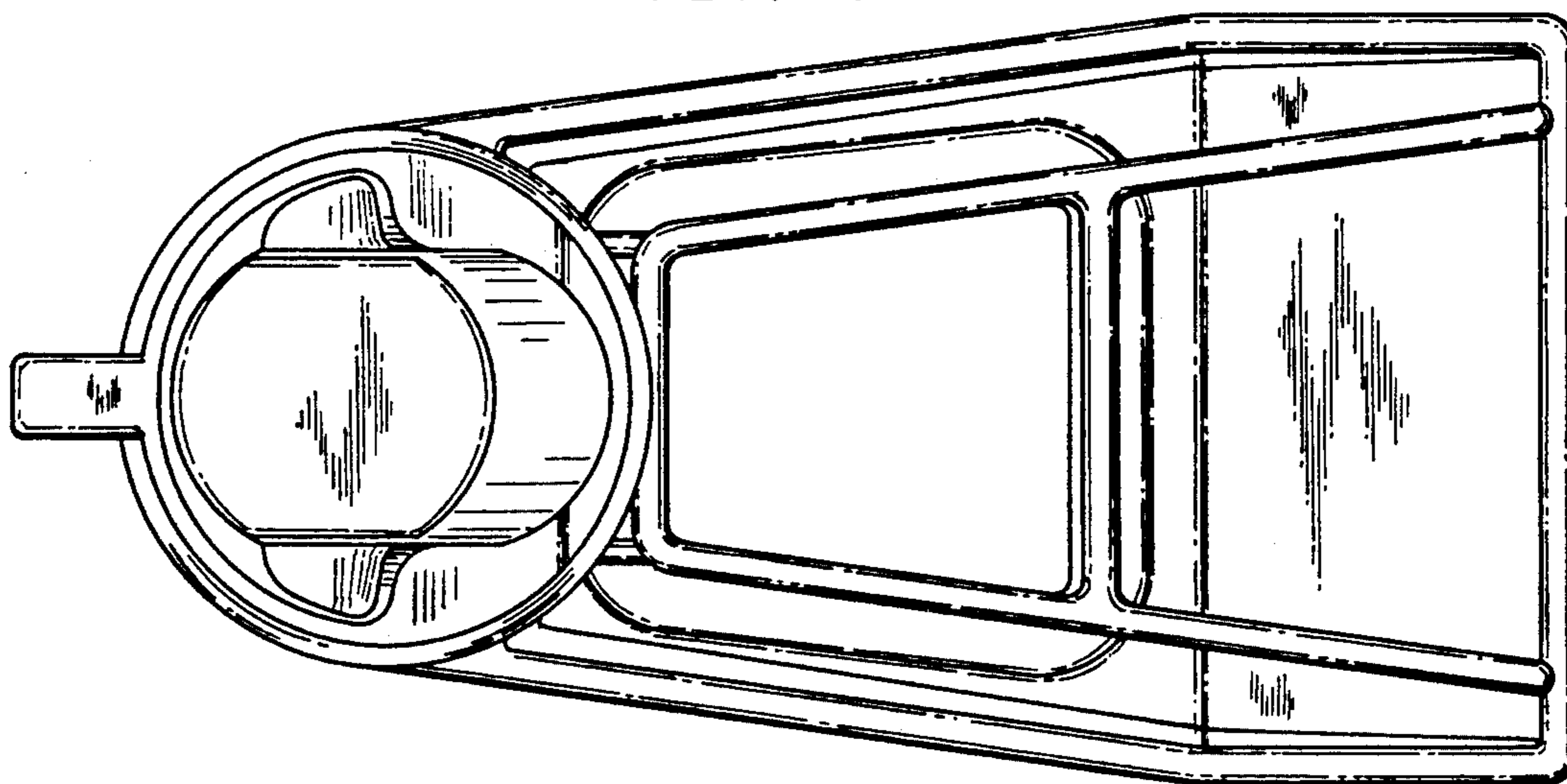


FIG. 5

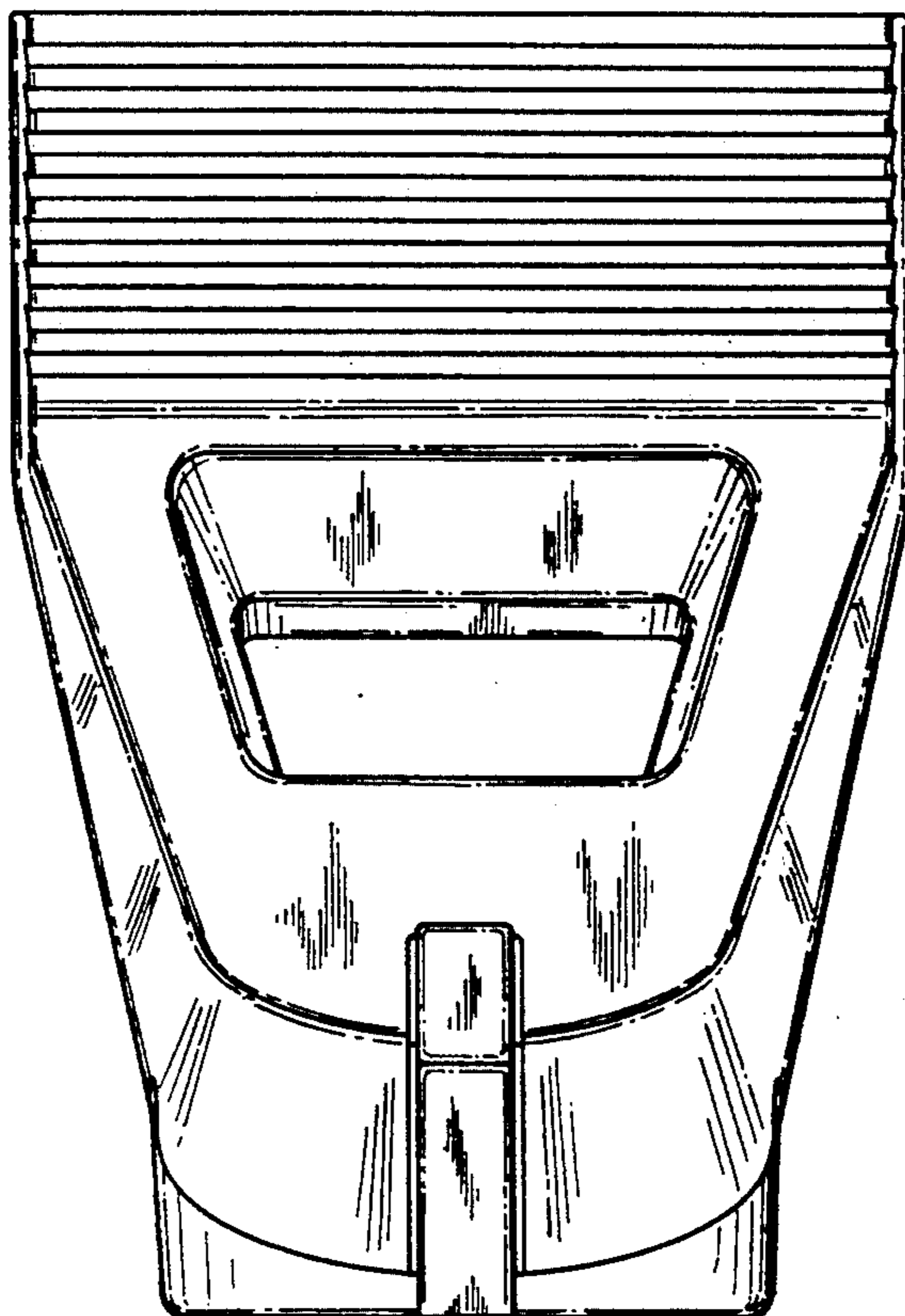


FIG. 6

