



US00D333339S

# United States Patent [19]

[11] Patent Number: **Des. 333,339**

Klose

[45] Date of Patent: **\*\* Feb. 16, 1993**

[54] **WALL MOUNTED SHOWER HOLDER**

[75] Inventor: **Odo Klose, Wuppertal, Fed. Rep. of Germany**

[73] Assignee: **Friedrich Grohe Aktiengesellschaft, Hemer, Fed. Rep. of Germany**

[\*\*] Term: **14 Years**

[21] Appl. No.: **751,219**

[22] Filed: **Aug. 26, 1991**

[30] **Foreign Application Priority Data**

Feb. 25, 1991 [DE] Fed. Rep. of Germany ..... M 91 01 317.8

[52] U.S. Cl. .... **D23/223**

[58] Field of Search ..... D23/213, 223-229; 239/276, 280, 281, 282-283, 288.5, 310, 443-449, 456-460, 525, 550-552, 556-559, 562-565, 567, 581.1, 568-578, ; 4/567-570, 599-603, 596, 615, 675-678; 248/75, 309.1, 317, 297.2, 297.3

[56] **References Cited**

**U.S. PATENT DOCUMENTS**

D. 274,457	6/1984	Haug .....	D23/213
D. 291,912	9/1987	Fabian .....	4/615 X
3,837,013	9/1974	Davis et al. ....	248/75 X
4,174,822	11/1979	Larsson .....	248/75
4,914,759	4/1990	Goff .....	248/75 X

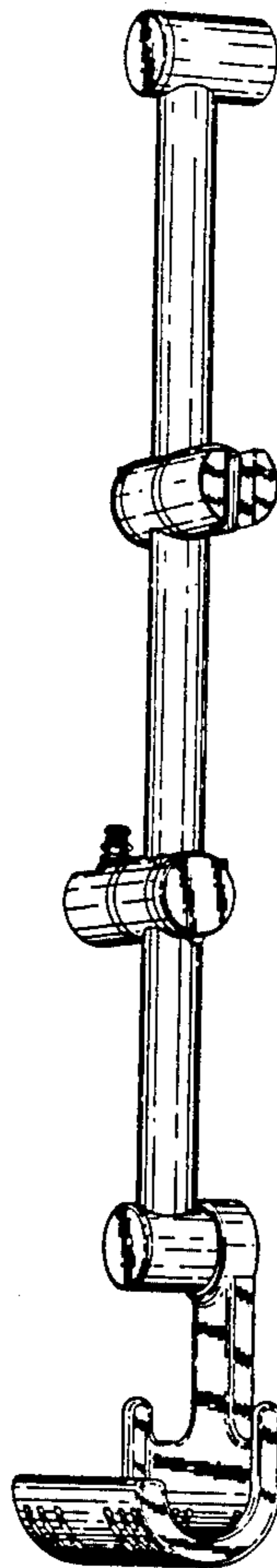
*Primary Examiner*—Wallace R. Burke  
*Assistant Examiner*—M. H. Tung  
*Attorney, Agent, or Firm*—Herbert Dubno; Ronald Lianides

[57] **CLAIM**

The ornamental design for a wall mounted shower holder, as shown.

**DESCRIPTION**

FIG. 1 is a front, right side perspective view of a wall mounted shower holder showing my new design; FIG. 2 is a front elevational view thereof; FIG. 3 is a right side elevational view thereof; FIG. 4 is a rear elevational view thereof; FIG. 5 is a left side elevational view thereof; FIG. 6 is a bottom plan view thereof; and, FIG. 7 is a top plan view thereof.



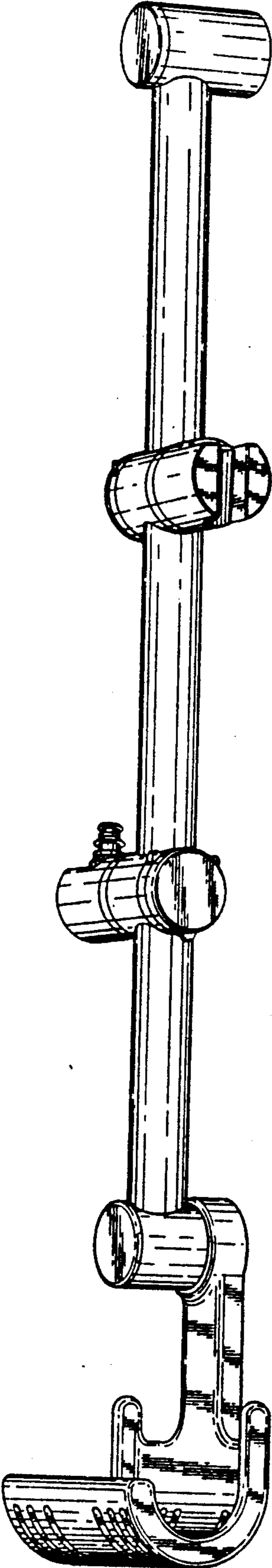
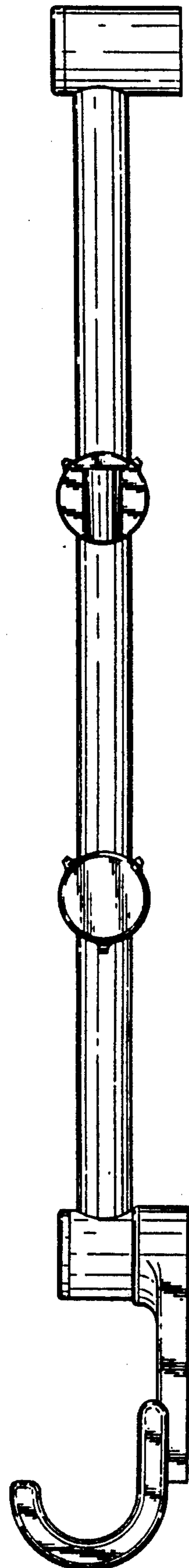
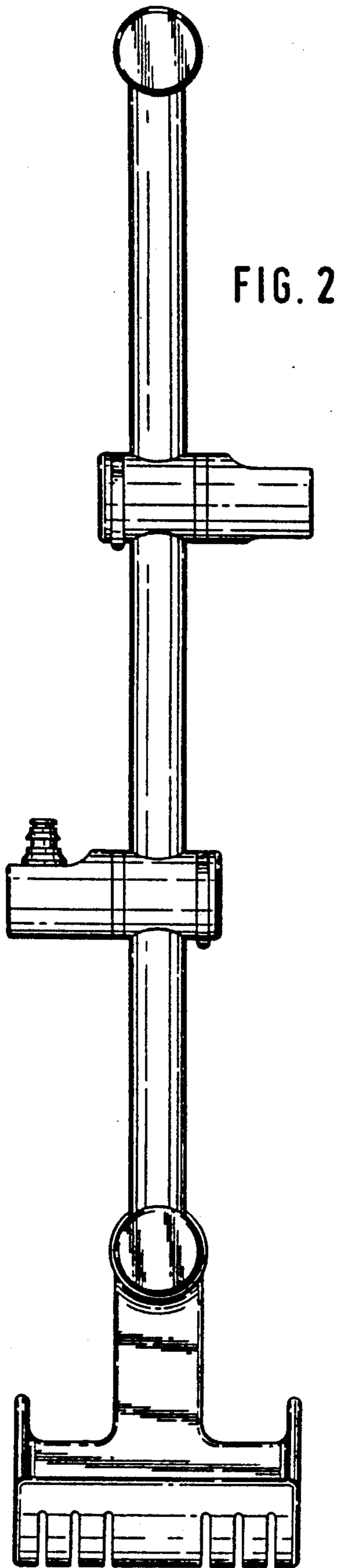


FIG. 1



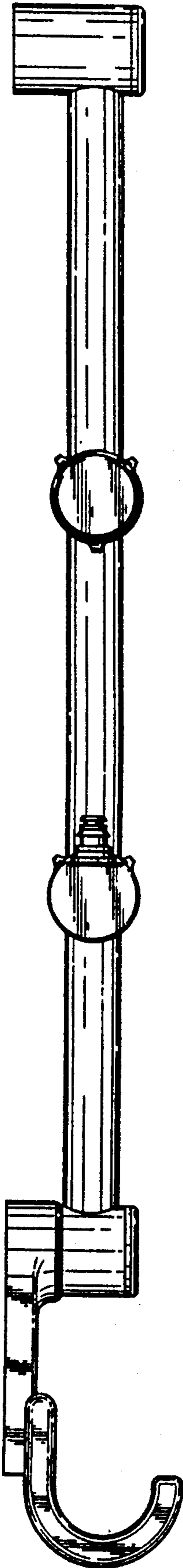
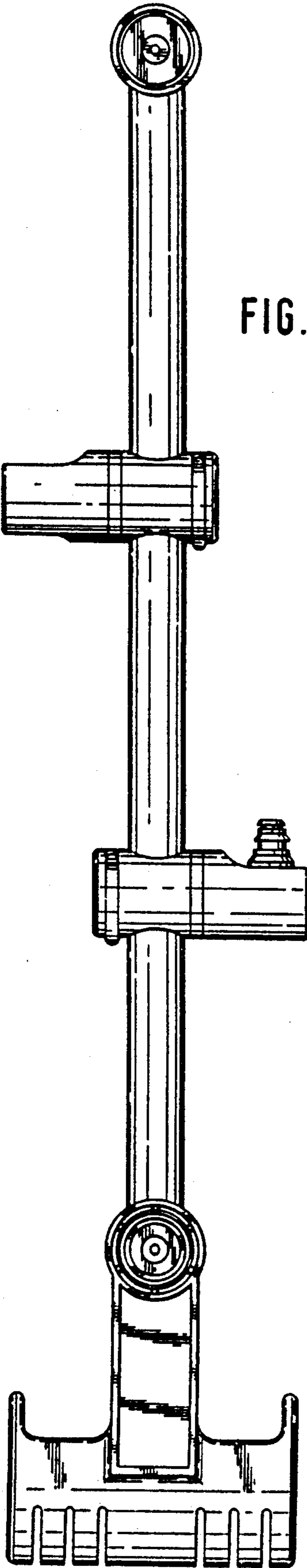


FIG. 6

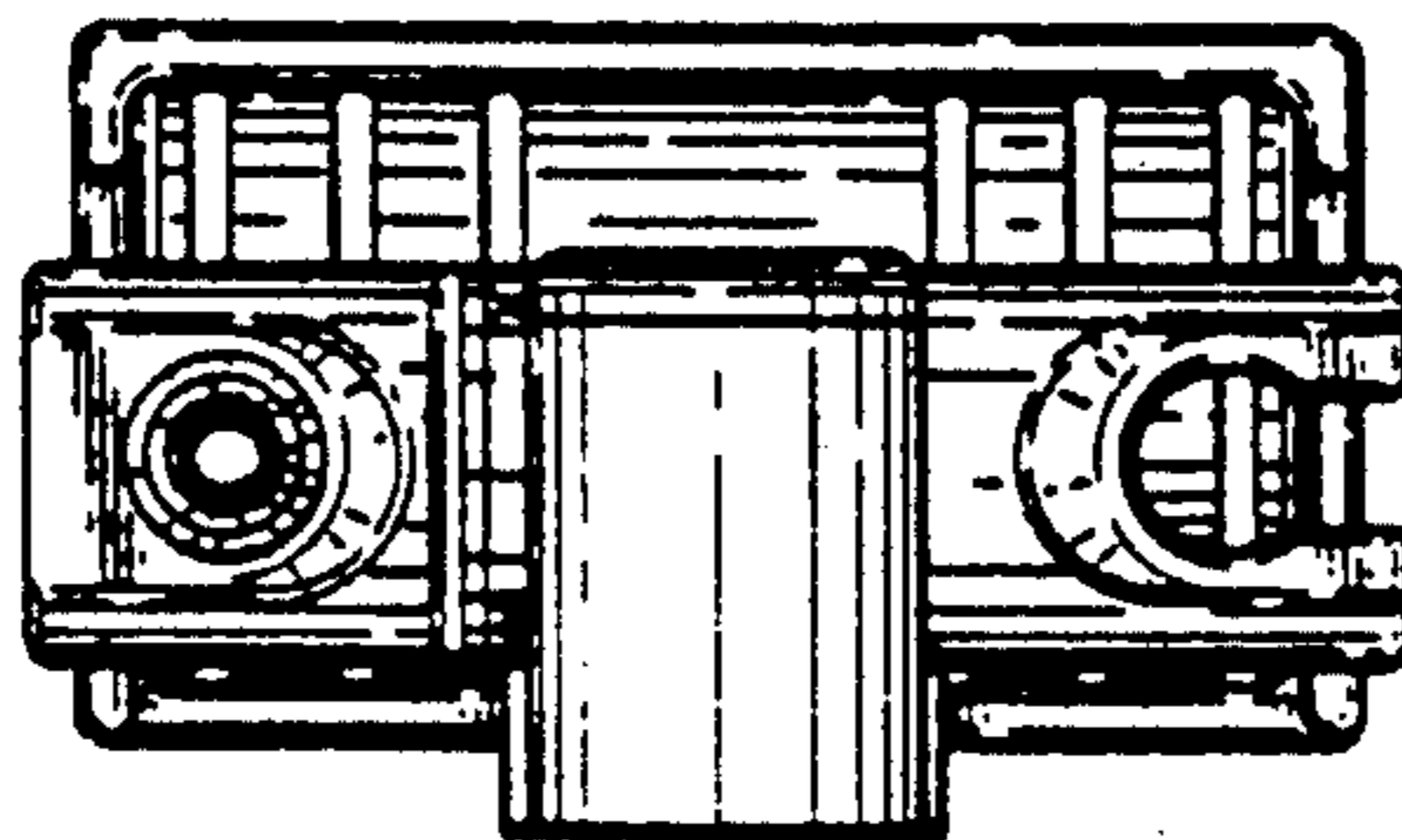
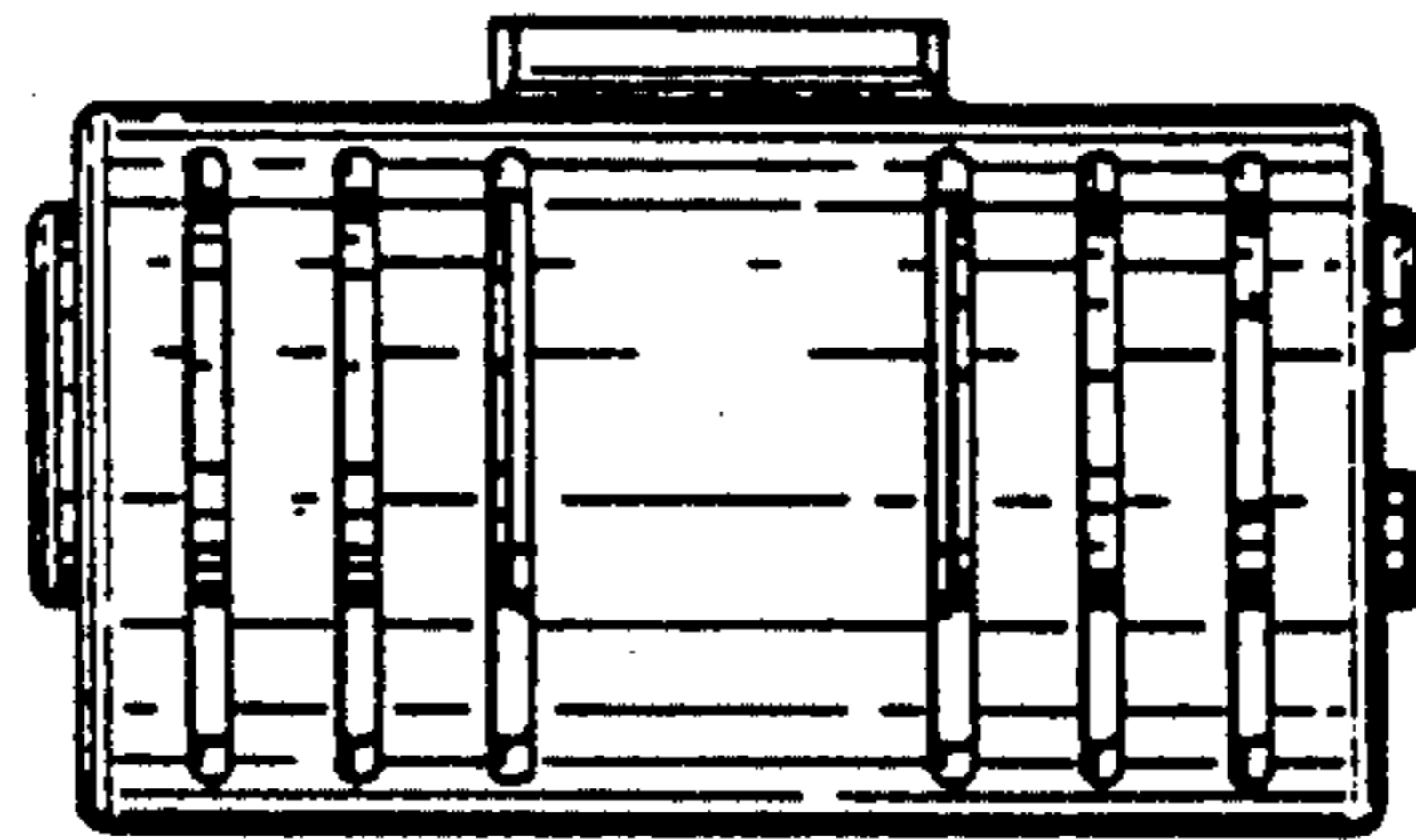


FIG. 7