



US00D333338S

# United States Patent [19]

[11] Patent Number: **Des. 333,338**

**Klose**

[45] Date of Patent: **\*\* Feb. 16, 1993**

[54] **COMBINED SHOWER AND SPRINKLER HEAD**

[56] **References Cited**

[75] Inventor: **Odo Klose, Wuppertal, Fed. Rep. of Germany**

**U.S. PATENT DOCUMENTS**

- D. 294,168 2/1988 Fabian ..... D23/229 X
- D. 323,545 1/1992 Ward ..... D23/213
- D. 325,769 4/1992 Haug et al. .... D23/213
- 2,726,120 12/1955 Bletcher et al. .... 239/449
- 2,874,001 2/1959 Webb ..... D23/213 X

[73] Assignee: **Friedrich Grohe Aktiengesellschaft, Hemer, Fed. Rep. of Germany**

*Primary Examiner*—Wallace R. Burke  
*Assistant Examiner*—M. H. Tung  
*Attorney, Agent, or Firm*—Herbert Dubno; Ronald Lianides

[\*\*] Term: **14 Years**

[57] **CLAIM**

[21] Appl. No.: **750,897**

The ornamental design for a combined shower and sprinkler head, as shown and described.

[22] Filed: **Aug. 26, 1991**

**DESCRIPTION**

[30] **Foreign Application Priority Data**

Feb. 25, 1991 [DE] Fed. Rep. of Germany ..... 9101317

[52] U.S. Cl. .... **D23/213**

[58] Field of Search ..... D23/213, 223-229; 239/276, 280, 281, 282-283, 388.5, 310, 443-449, 456-460, 525, 550-552, 556-559, 562-565, 567, 581.1, 586-588; 4/567-570, 599-603, 596, 615, 675-678

FIG. 1 is a front, right side, top perspective view of a combined shower and sprinkler head showing my new design;

FIG. 2 is a left side elevational view thereof, the right side being a mirror image;

FIG. 3 is a bottom plan view thereof;

FIG. 4 is a top plan view thereof;

FIG. 5 is a front elevational view thereof; and,

FIG. 6 is a rear elevational view thereof.

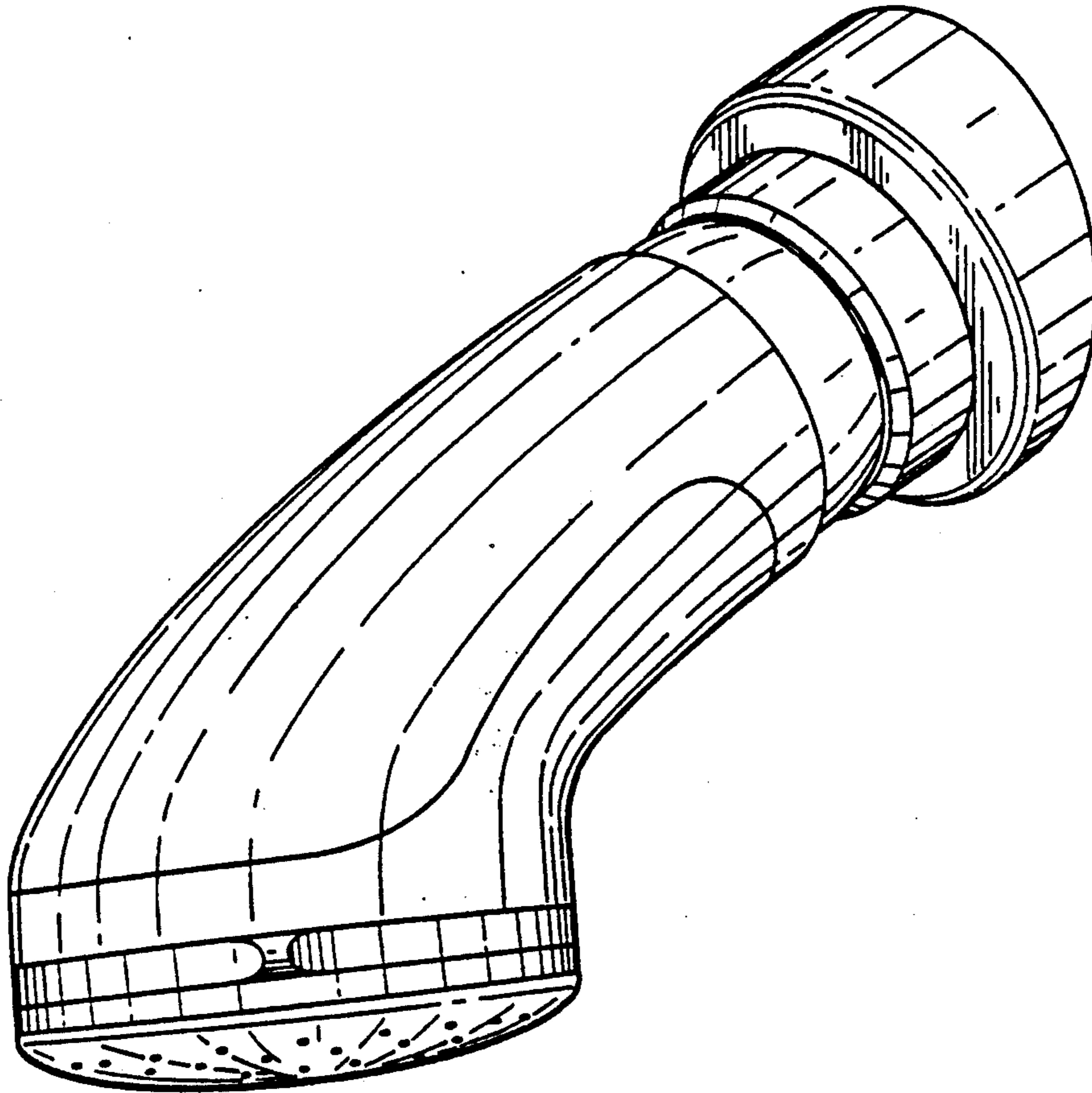
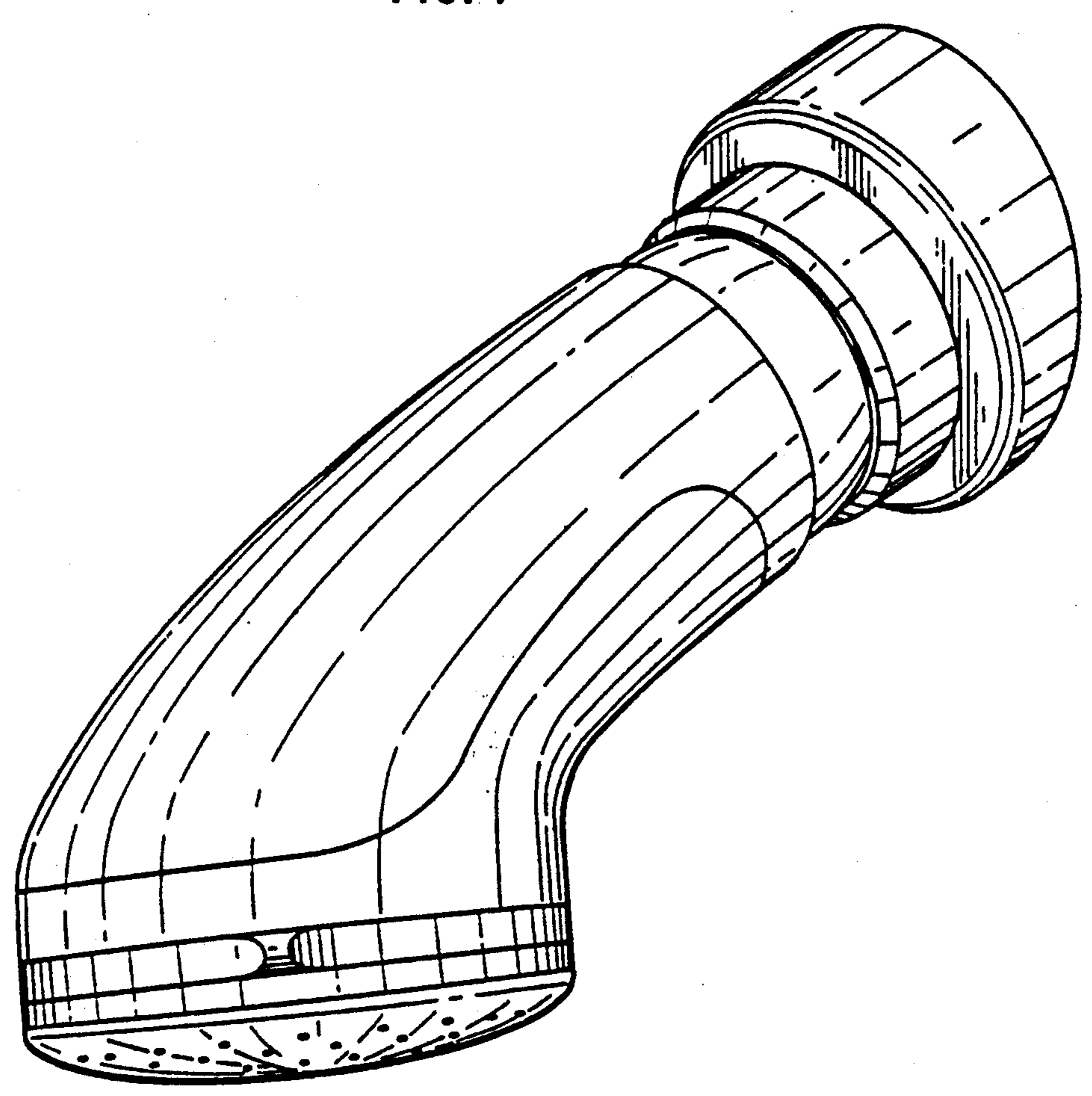


FIG. 1



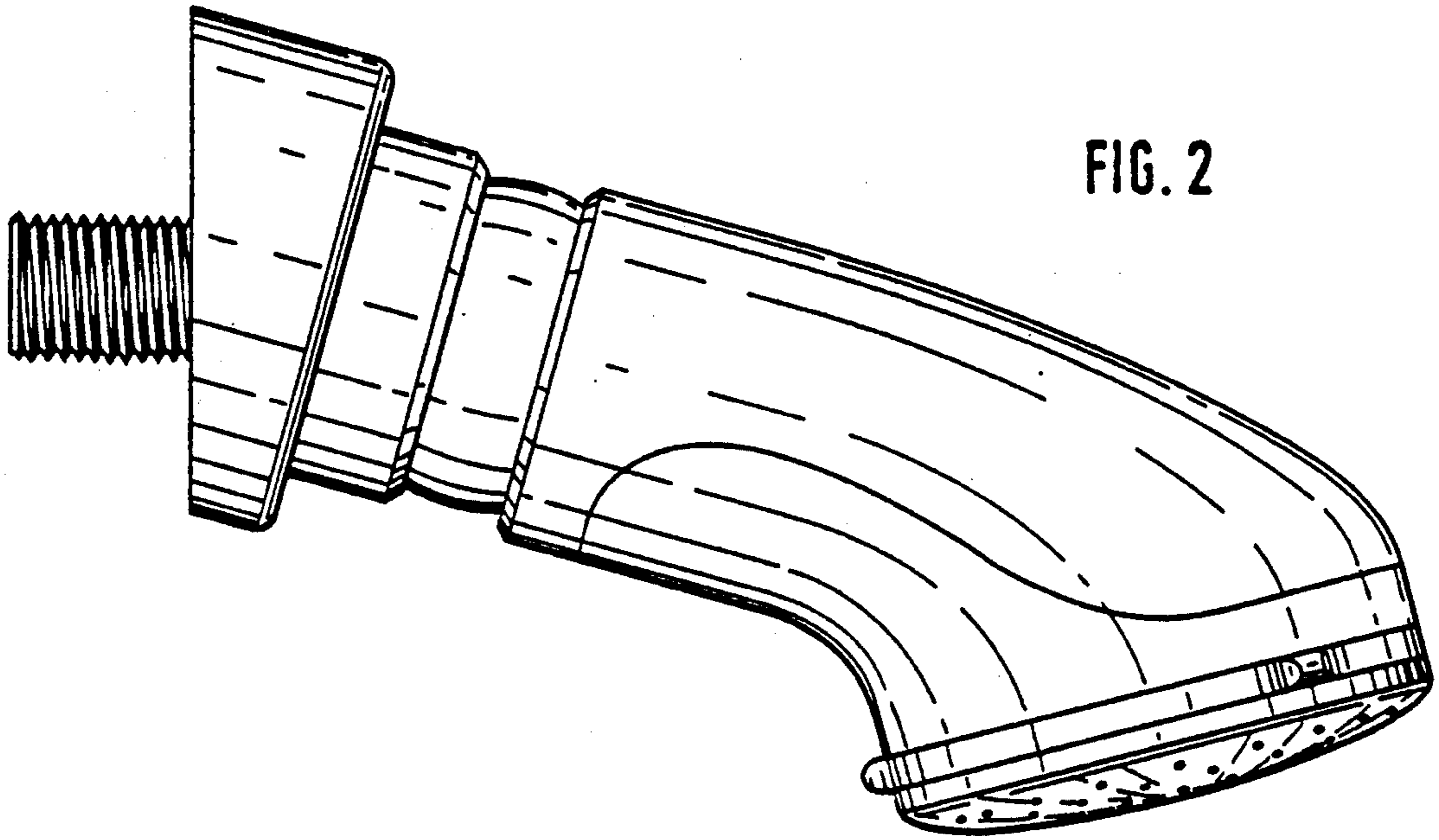
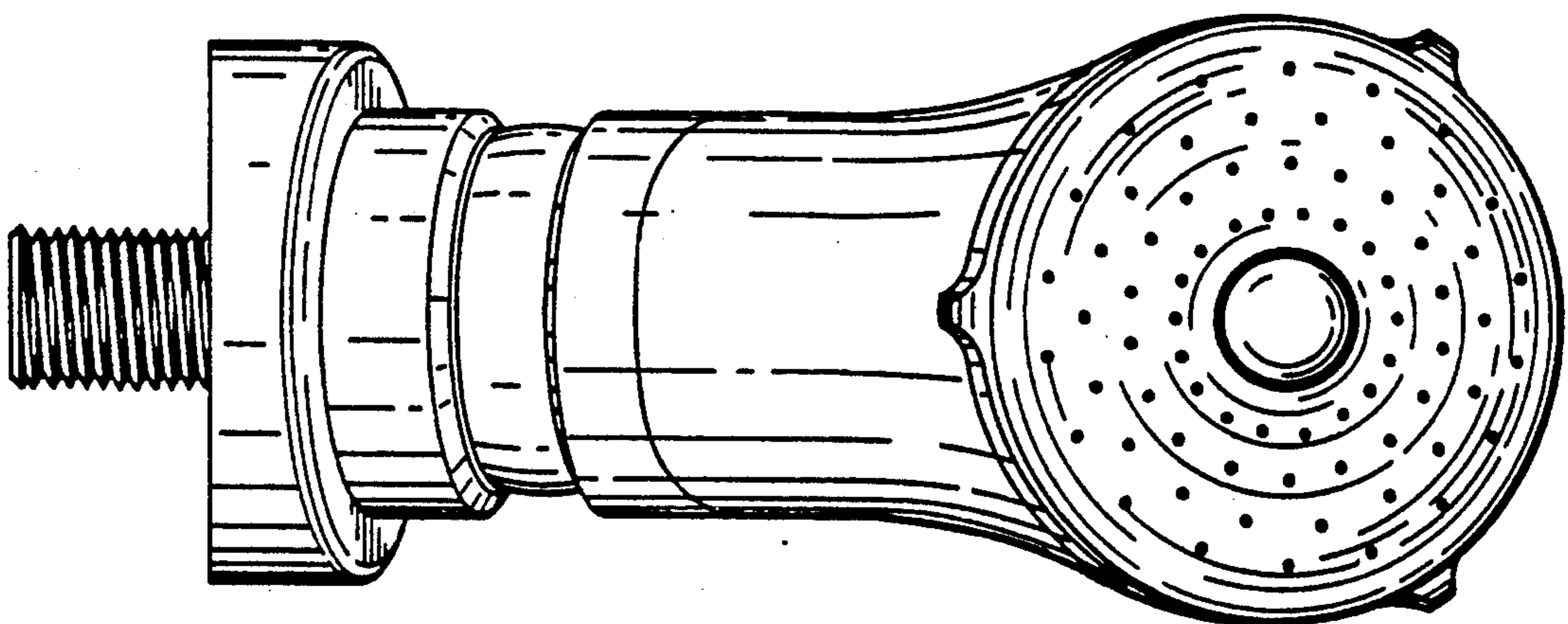


FIG. 3



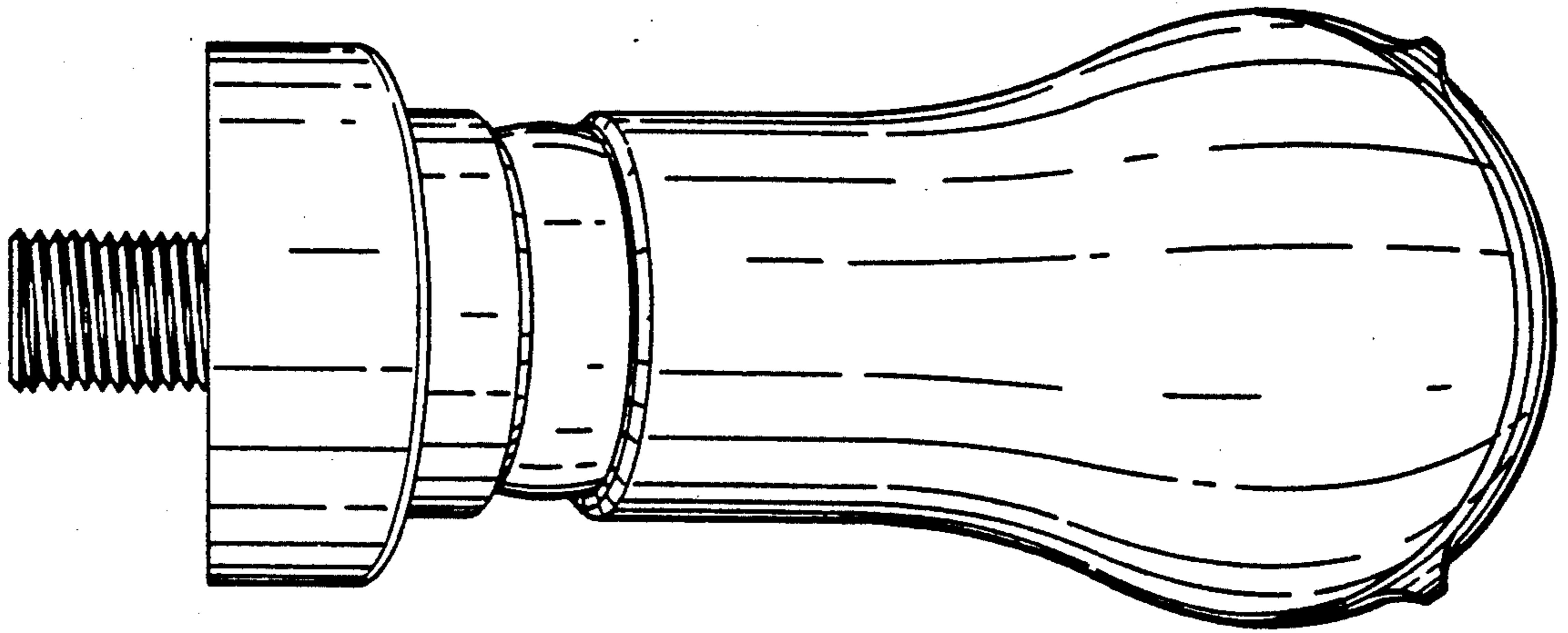


FIG. 4

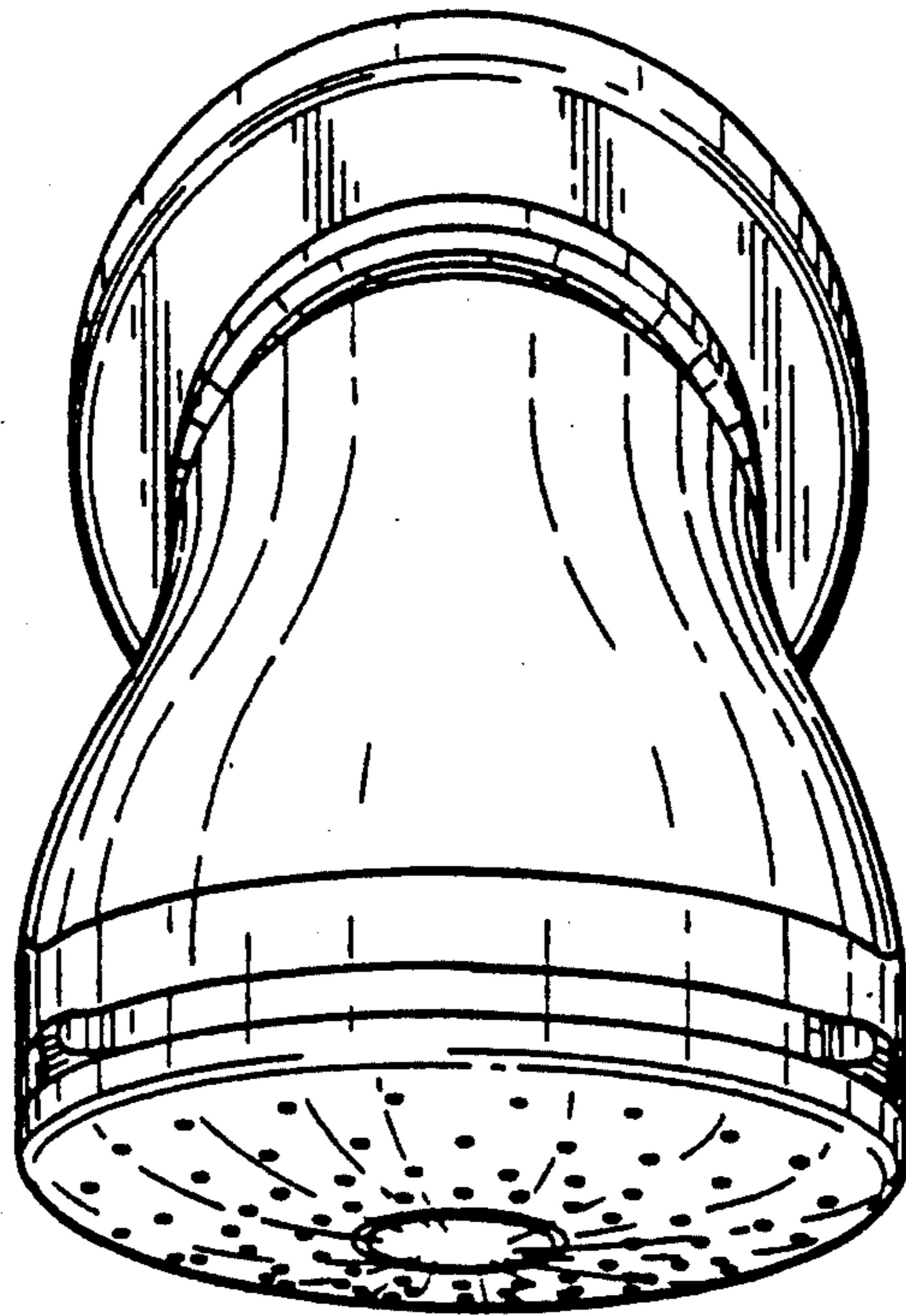


FIG. 5

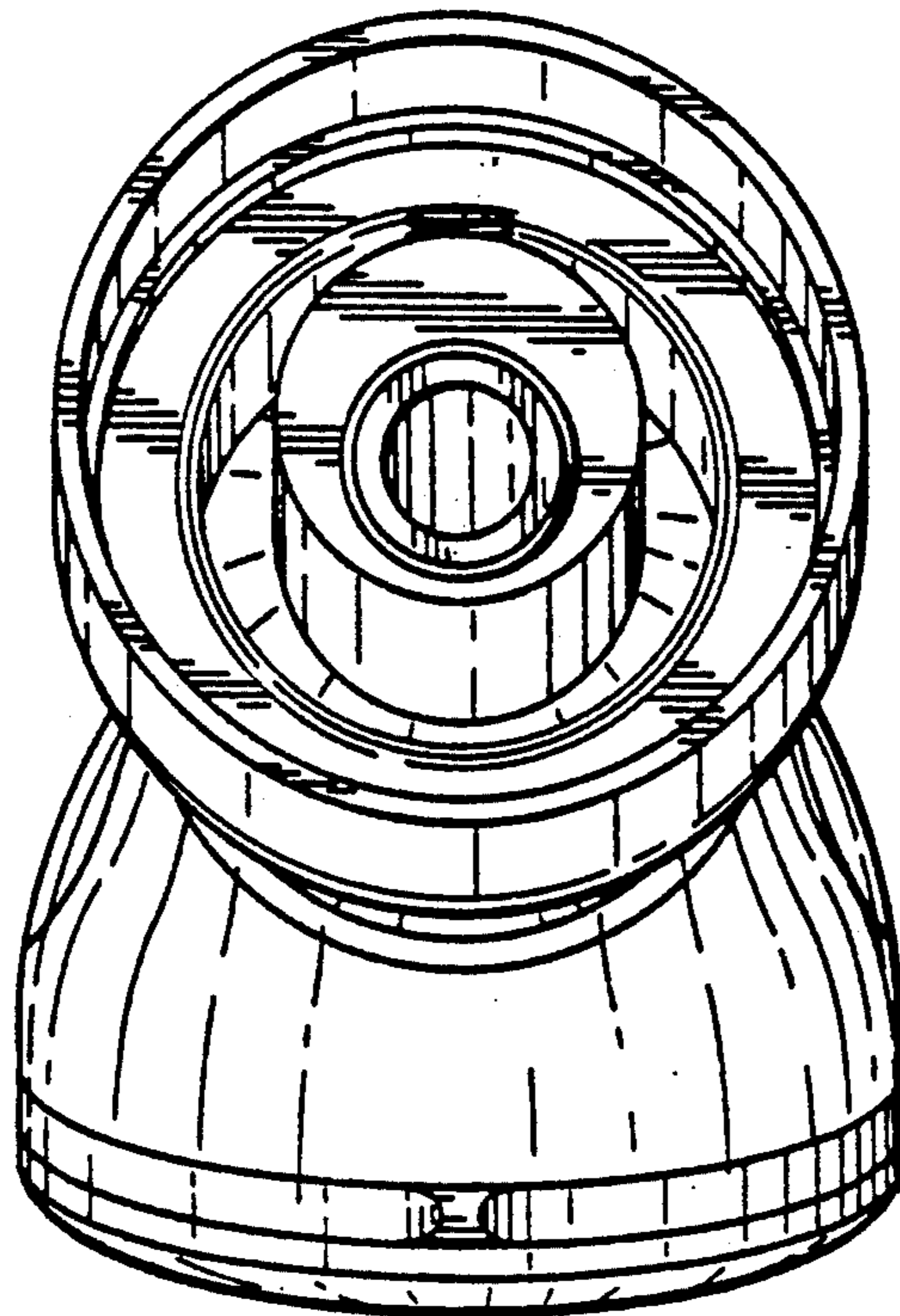


FIG. 6