



US00D333331S

United States Patent [19]

[11] Patent Number: **Des. 333,331**

Evans

[45] Date of Patent: **** Feb. 16, 1993**

[54] **GOLF PUTTER HEAD**

Golf Digest, Dec. 1977, p. 123, top left, Sigma Tiger Shark Putter.

[76] Inventor: **Roger C. Evans**, 661 Sabal Lake Dr., Apt. 107, Longwood, Fla. 32779

Primary Examiner—Melvin B. Feifer
Attorney, Agent, or Firm—Jack N. McCarthy

[**] Term: **14 Years**

[57] **CLAIM**

[21] Appl. No.: **557,497**

The ornamental design for a golf putter head, as shown and described.

[22] Filed: **Jul. 24, 1990**

DESCRIPTION

[52] U.S. Cl. **D21/219**

FIG. 1 is a top plan view of a golf putter head showing my new design;

[58] Field of Search **D21/214-220;**

FIG. 2 is a bottom plan view thereof;

273/164, 167-175

FIG. 3 is a front elevational view thereof;

[56] **References Cited**

U.S. PATENT DOCUMENTS

D. 324,555 3/1992 Evans **D21/219**

D. 324,712 3/1992 Shearer **D21/219**

OTHER PUBLICATIONS

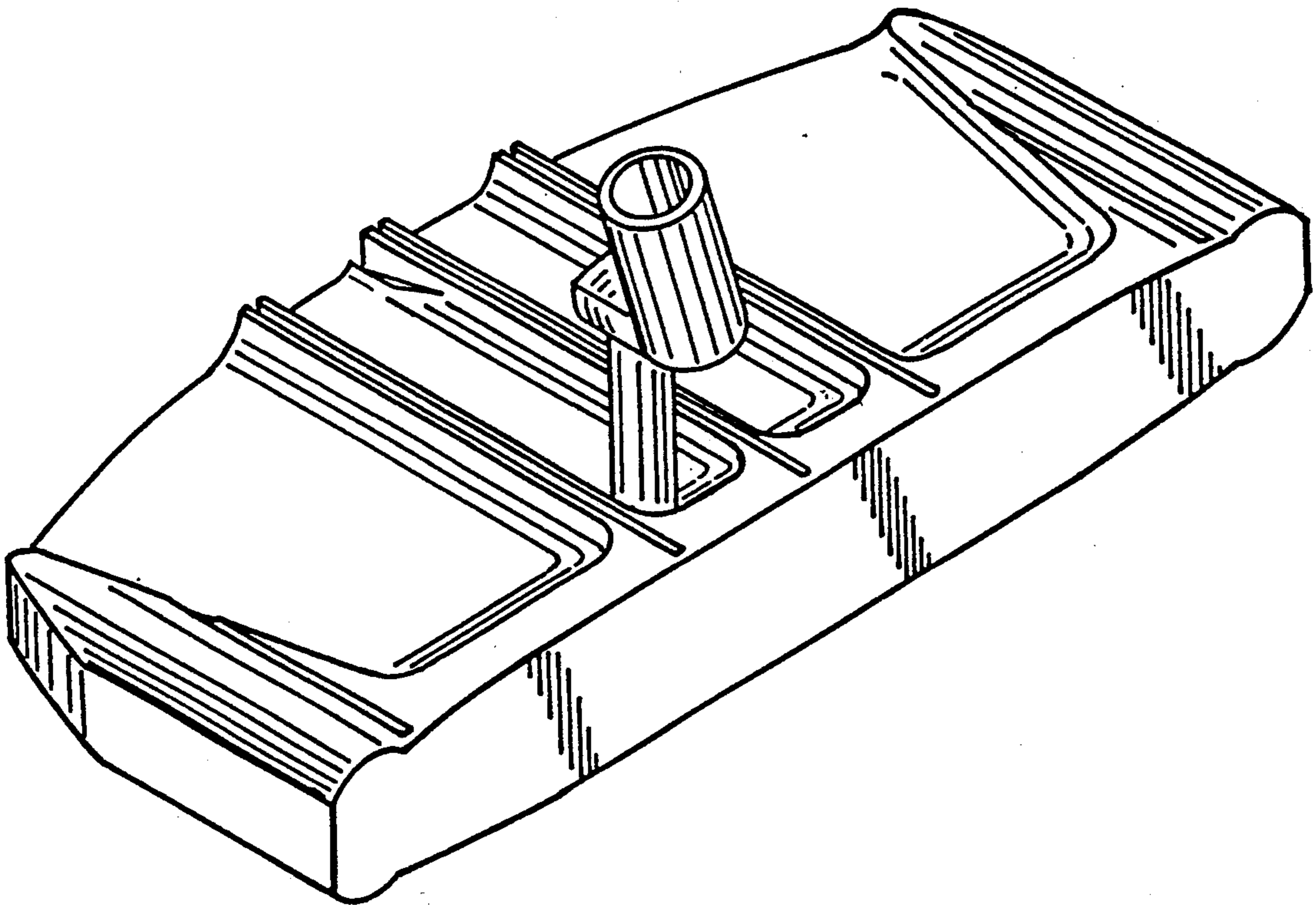
Golf World, Mar. 28, 1980, p. 12, top, Passage Putters.

FIG. 4 is a rear elevational view thereof;

FIG. 5 is a side elevational view taken from the right of FIG. 1;

FIG. 6 is a front top perspective view thereof; and,

FIG. 7 is a rear elevational view of a second embodiment wherein the hosel is on the opposite side as that seen in FIG. 4. It being understood that the appearance of the head is the same as shown in FIGS. 1 to 6.



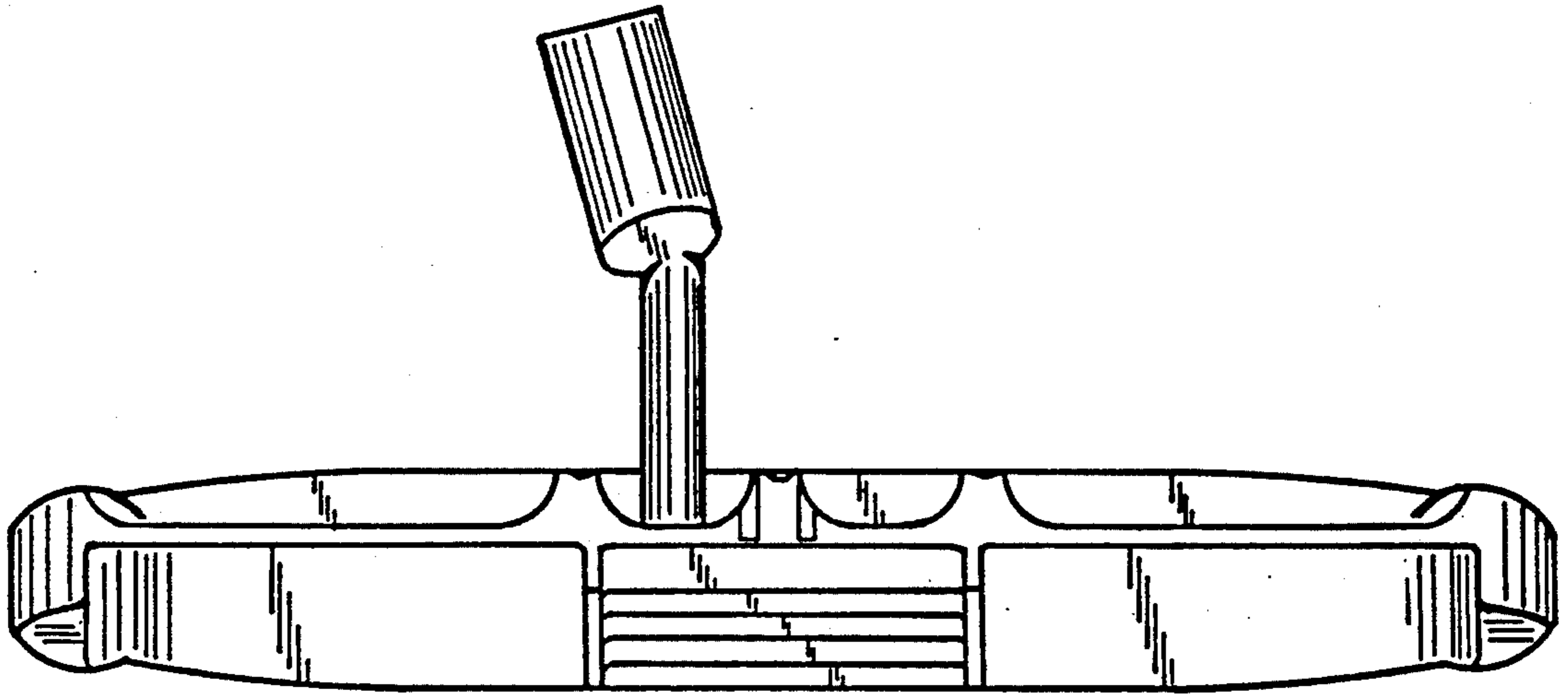


FIG. 7

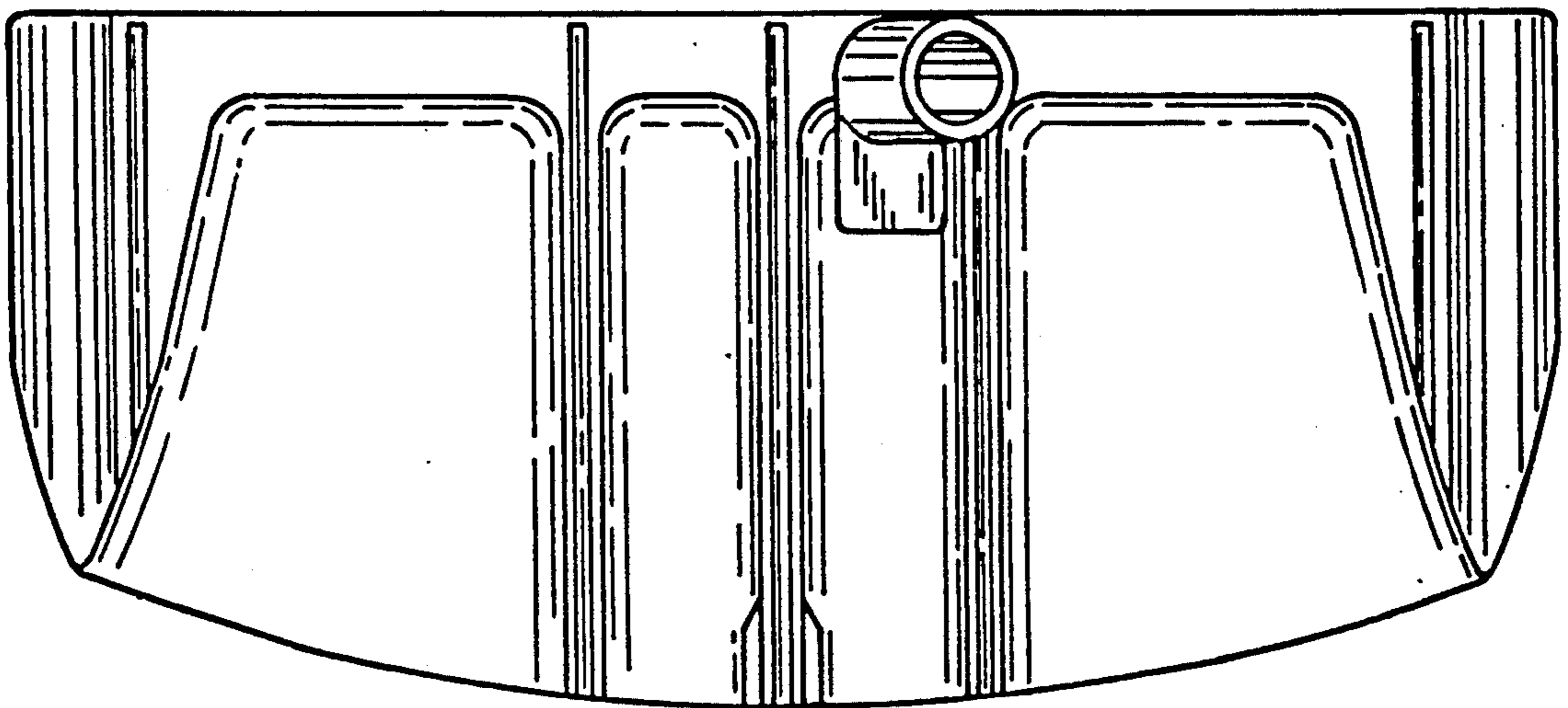


FIG. 1

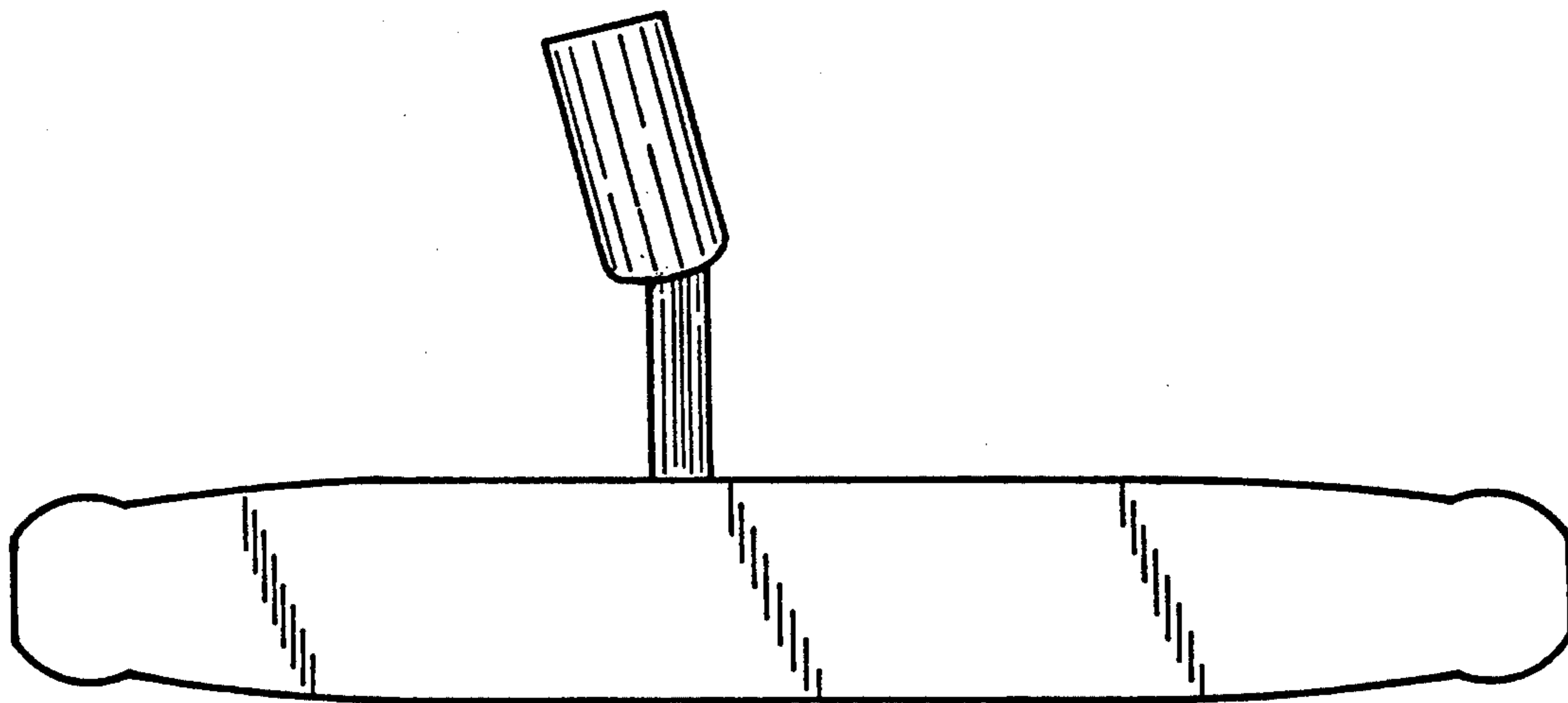


FIG. 3

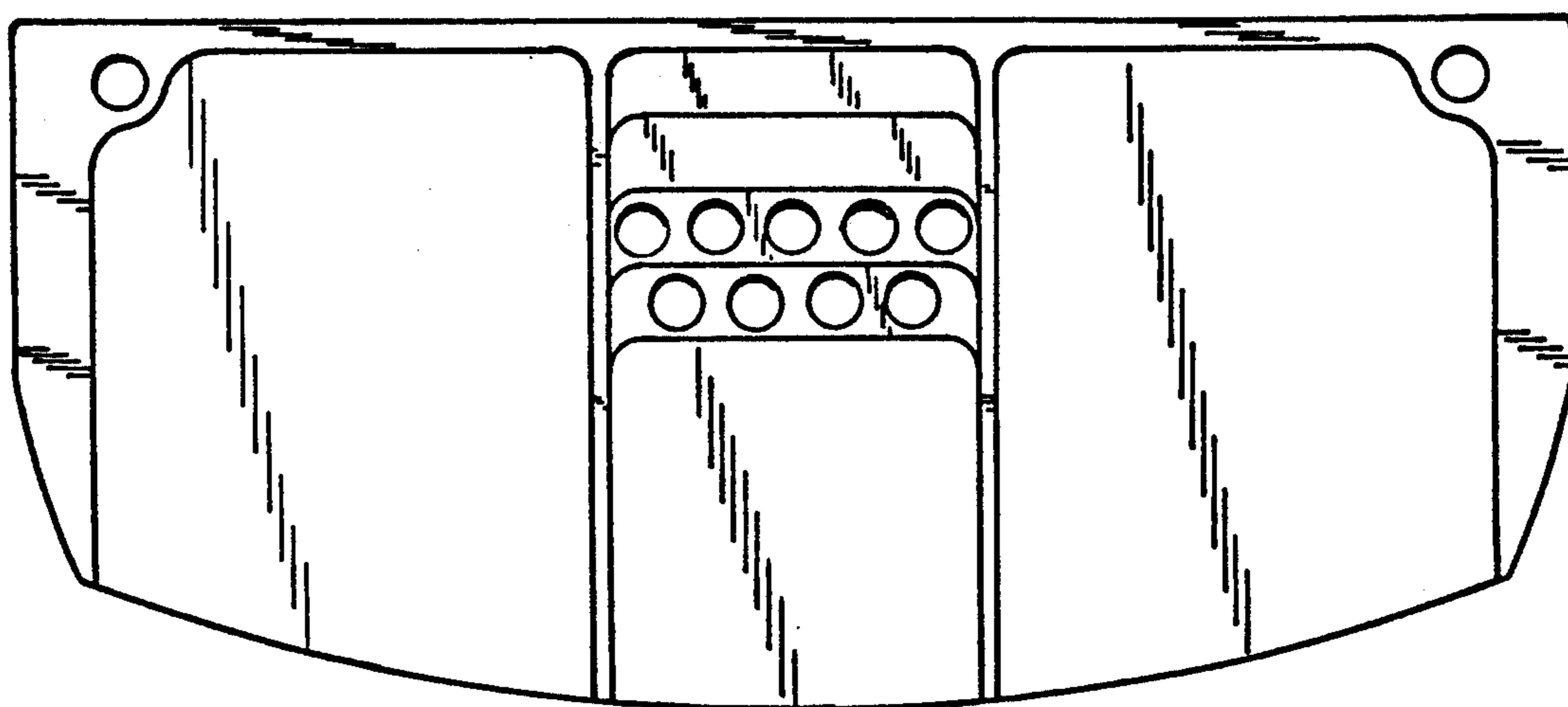


FIG. 2

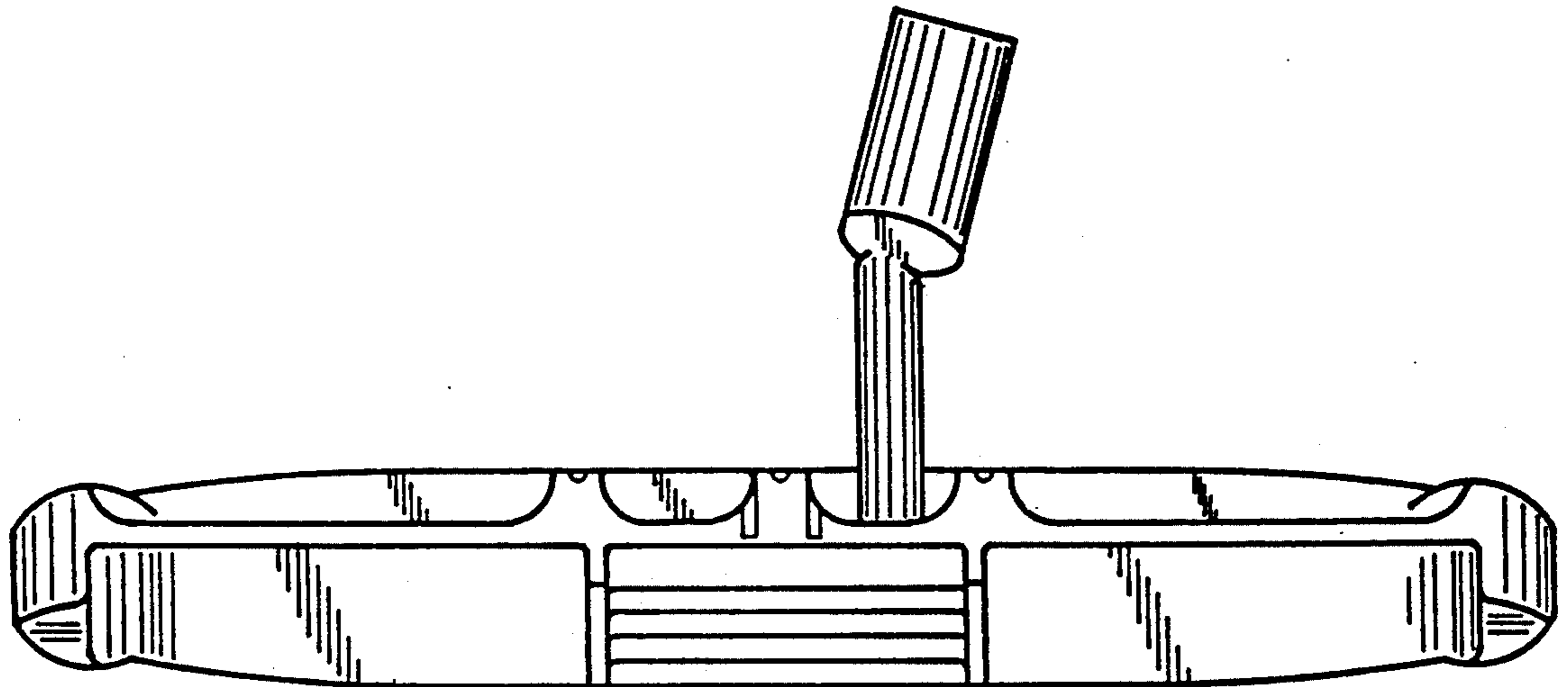


FIG. 4

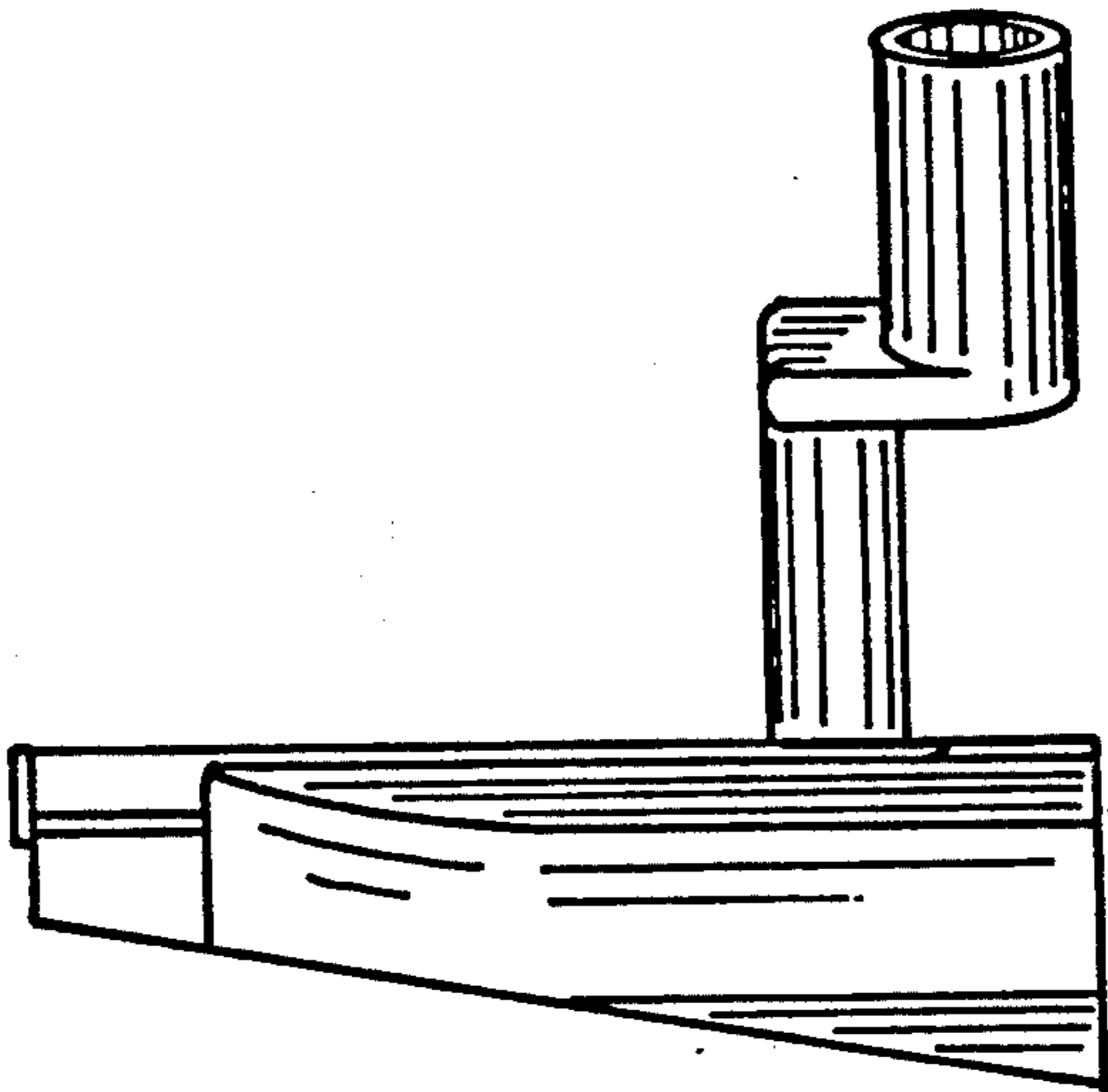


FIG. 5

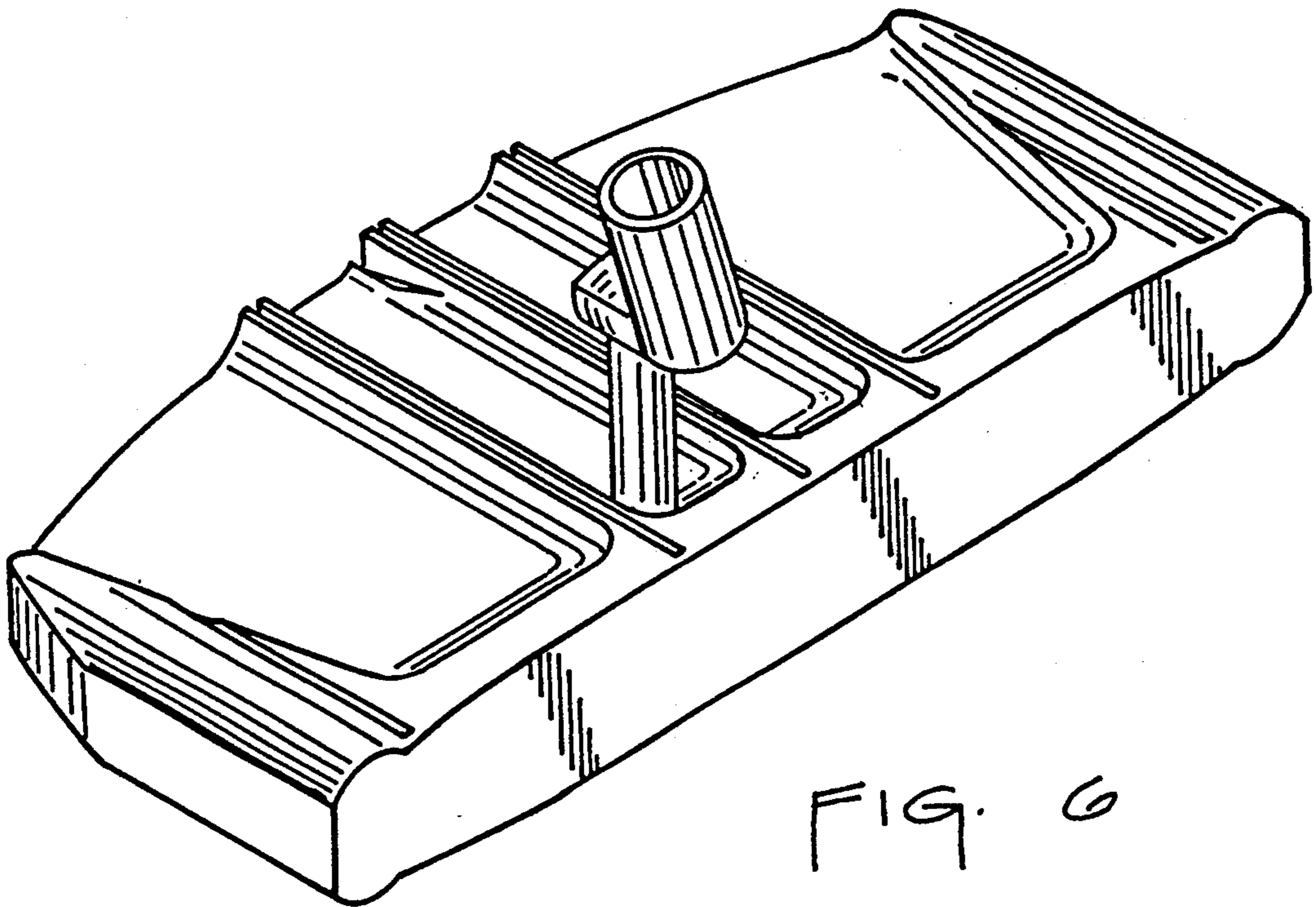


FIG. 6