



US00D333330S

# United States Patent [19]

[11] Patent Number: **Des. 333,330**

Clem

[45] Date of Patent: **\*\* Feb. 16, 1993**

[54] **TREADMILL**

[75] Inventor: **William E. Clem, Bothell, Wash.**

[73] Assignee: **Tunturi, Inc., Redmond, Wash.**

[\*\*] Term: **14 Years**

[21] Appl. No.: **677,869**

[22] Filed: **Apr. 1, 1991**

[52] U.S. Cl. .... **D21/192**

[58] Field of Search ..... **D21/191, 192; 482/54**

[56] **References Cited**

**U.S. PATENT DOCUMENTS**

D. 232,446	8/1974	Townsend	.....	D21/192
D. 302,837	8/1989	Sherrard	.....	D21/192
D. 304,849	11/1989	Watterson	.....	D21/192
D. 306,891	3/1990	Watterson	.....	D21/192
4,759,540	7/1988	Yu et al.	.....	482/54

**OTHER PUBLICATIONS**

The Best Catalog, 1989-1990, p. 278, 11A14 treadmills 1 through 5.

Information Sheet Regarding Precor, Inc. Treadmill model 9.1/9.2, bearing 1988 copyright notice.

Information Sheet Regarding Complex Engineering Treadmill Model Maxima 4000 EL.

Information Sheet with Photograph Fitness Equipment, Inc. Treadmill Model Mach 1.5 Challenger.

Information Sheet Regarding Pro Form Treadmill Model 1026 EXP.

Treadmill Catalog Bearing 1989 copyright notice of Battle Creek Equipment Company, p. 5, in part showing Power Walker Treadmills.

Information Sheet Regarding Tunturi Treadmill J400.

Information Sheet Regarding Tunturi Treadmill J800.

*Primary Examiner*—Bernard Ansher

*Assistant Examiner*—Philip Hyder

*Attorney, Agent, or Firm*—Graybeal Jackson Haley & Johnson

[57] **CLAIM**

**CLAIM**

The ornamental design for a treadmill, as shown.

**DESCRIPTION**

FIG. 1 is a perspective view of a treadmill showing my new design;

FIG. 2 is a top plan view thereof;

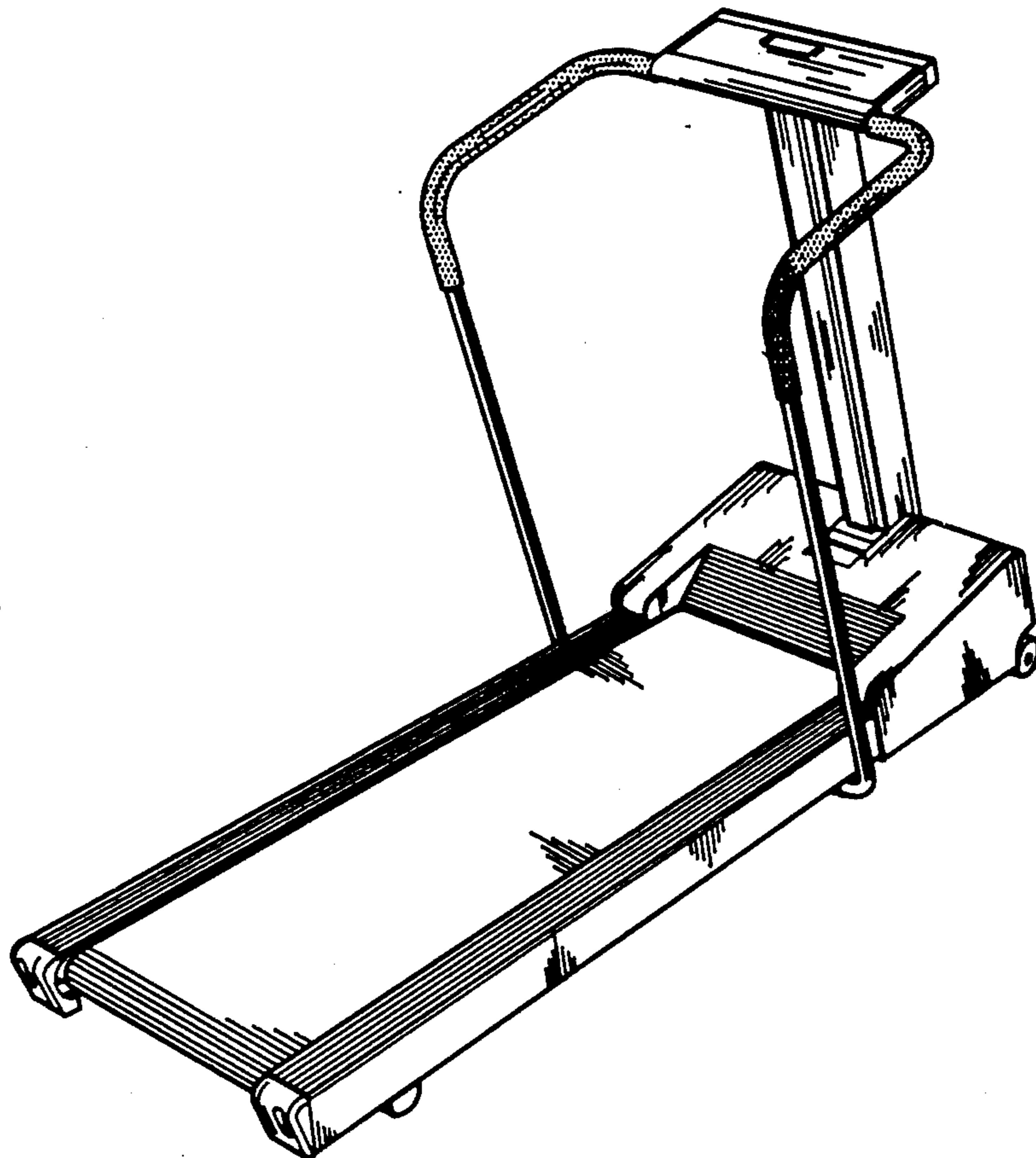
FIG. 3 is a right side elevational view thereof;

FIG. 4 is a left side elevational view thereof;

FIG. 5 is a rear elevational view thereof;

FIG. 6 is a front elevational view thereof; and,

FIG. 7 is a bottom plan view thereof.



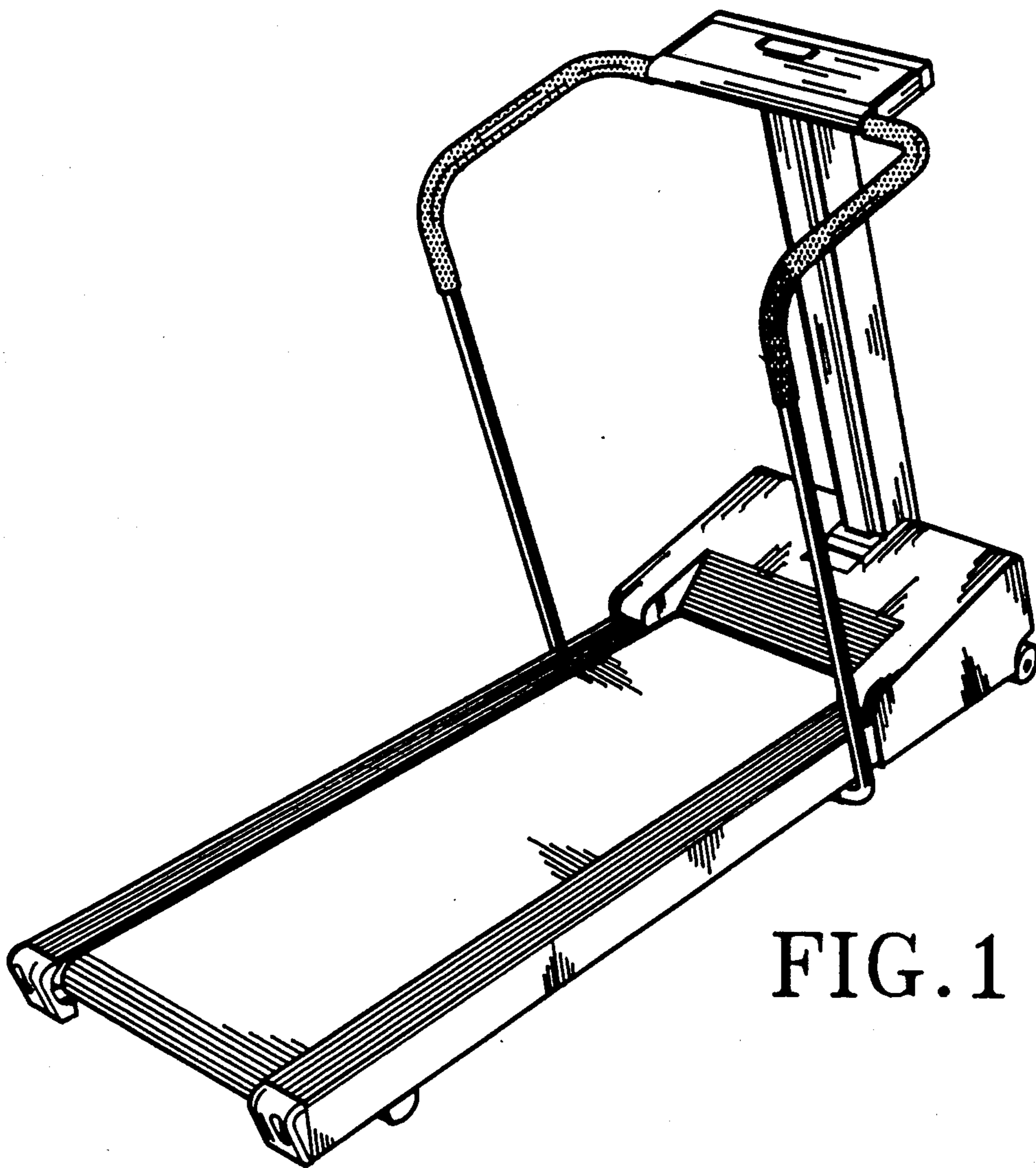
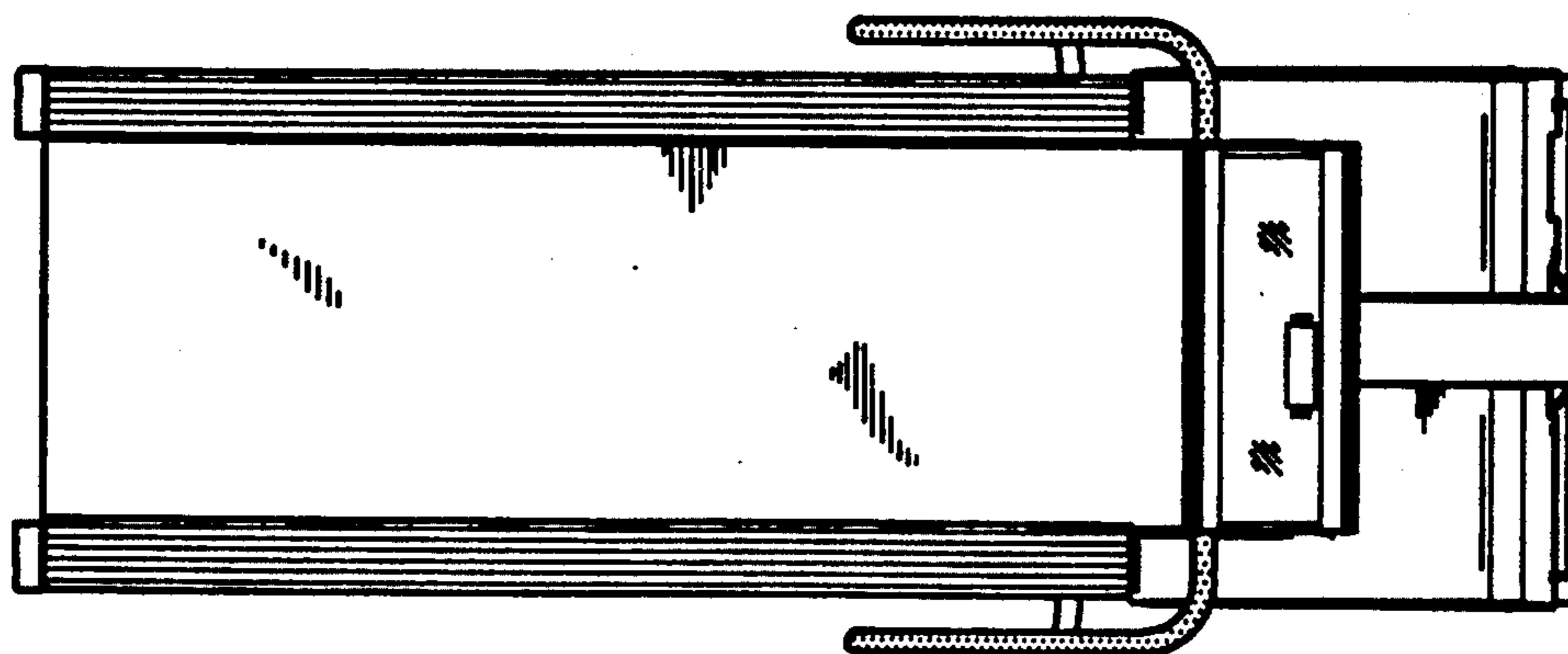


FIG. 1

FIG. 2



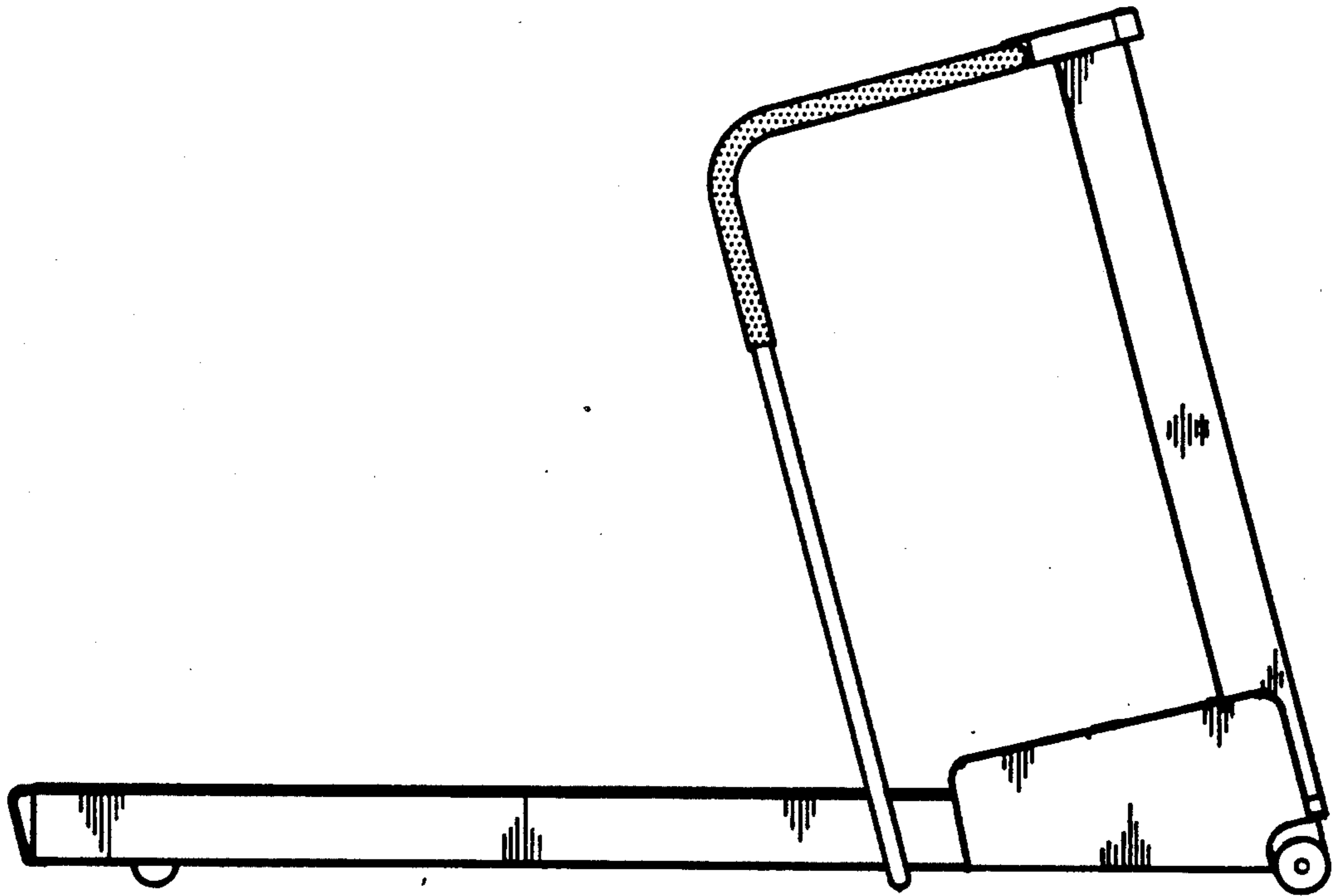


FIG. 3

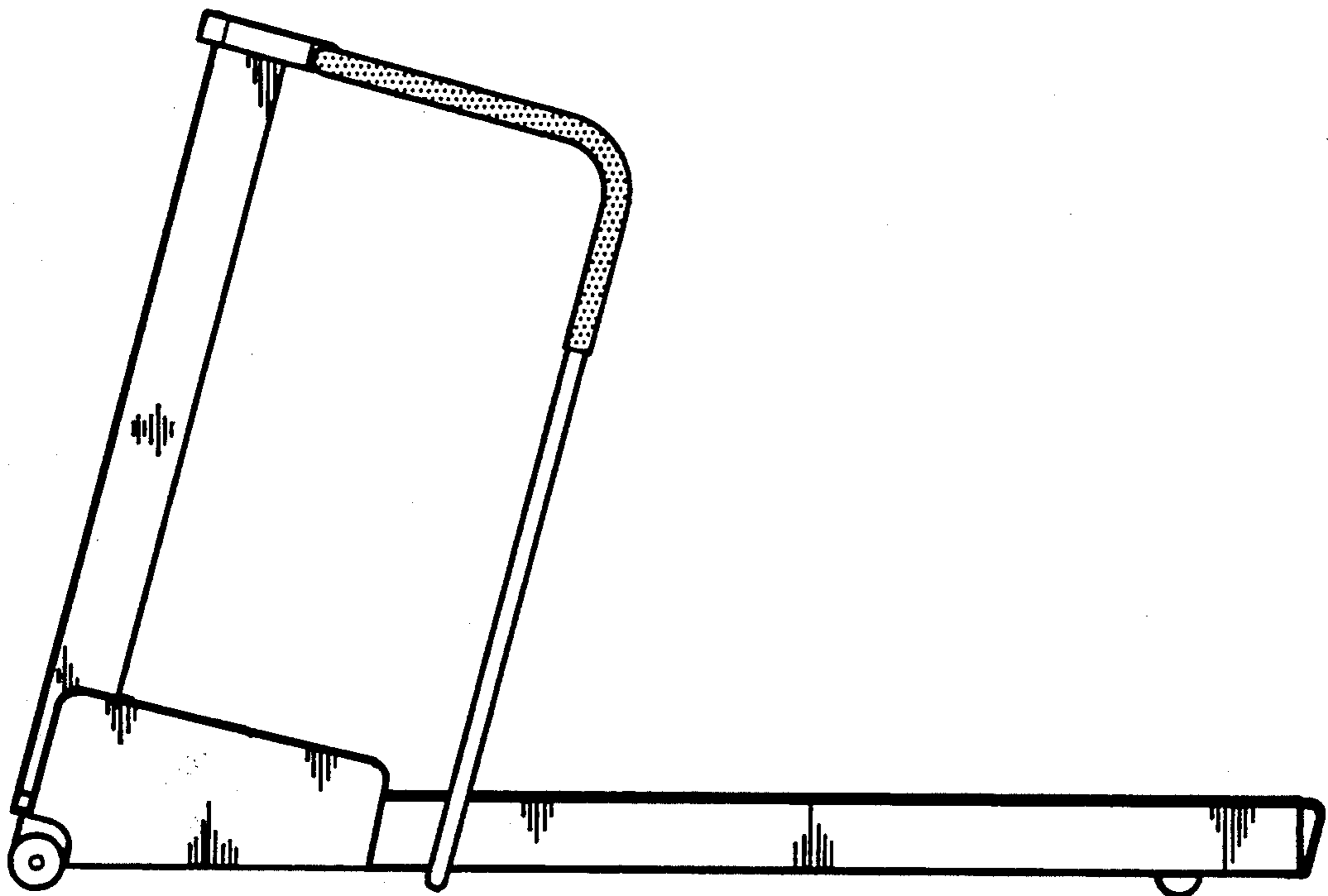


FIG. 4

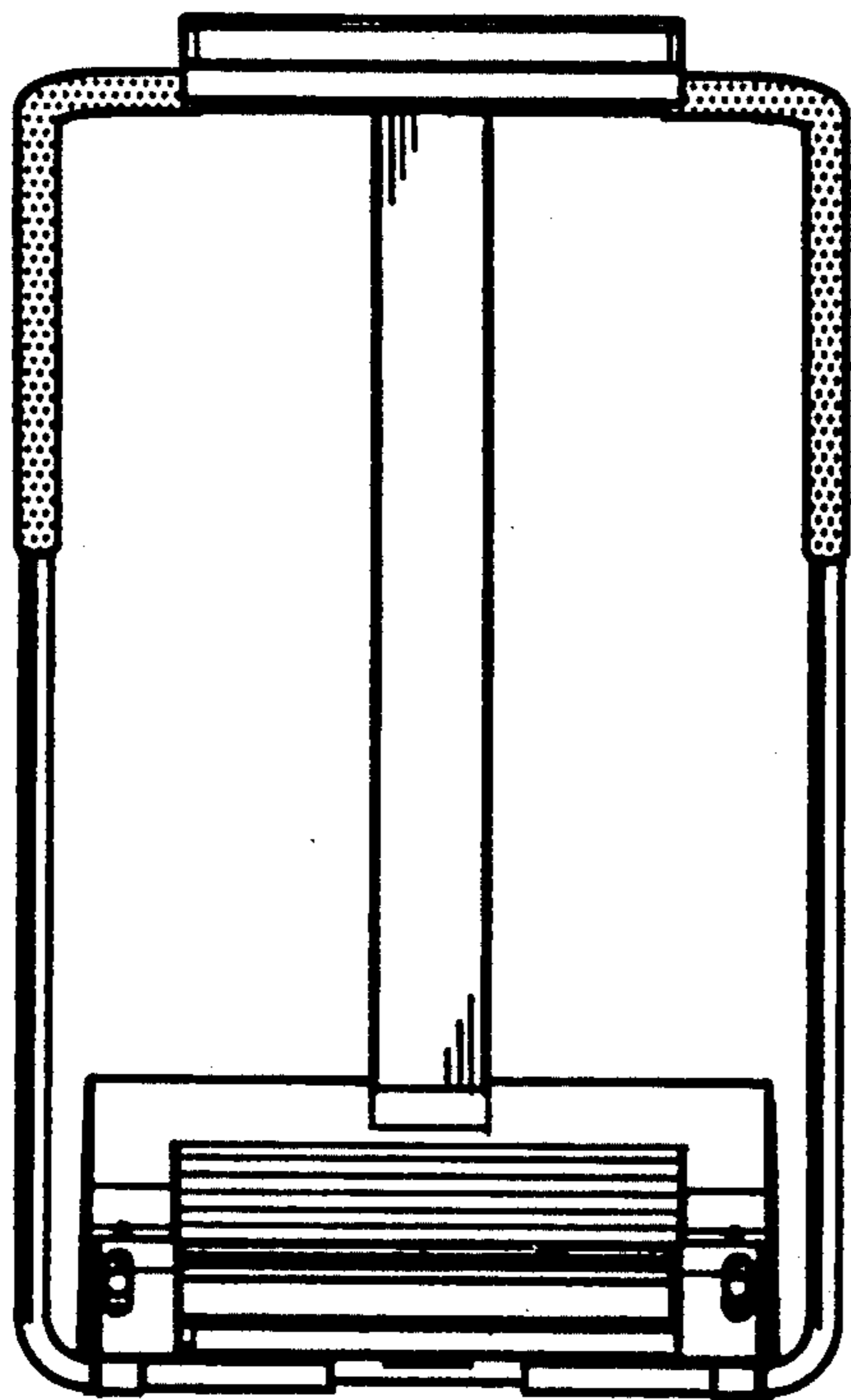


FIG. 5

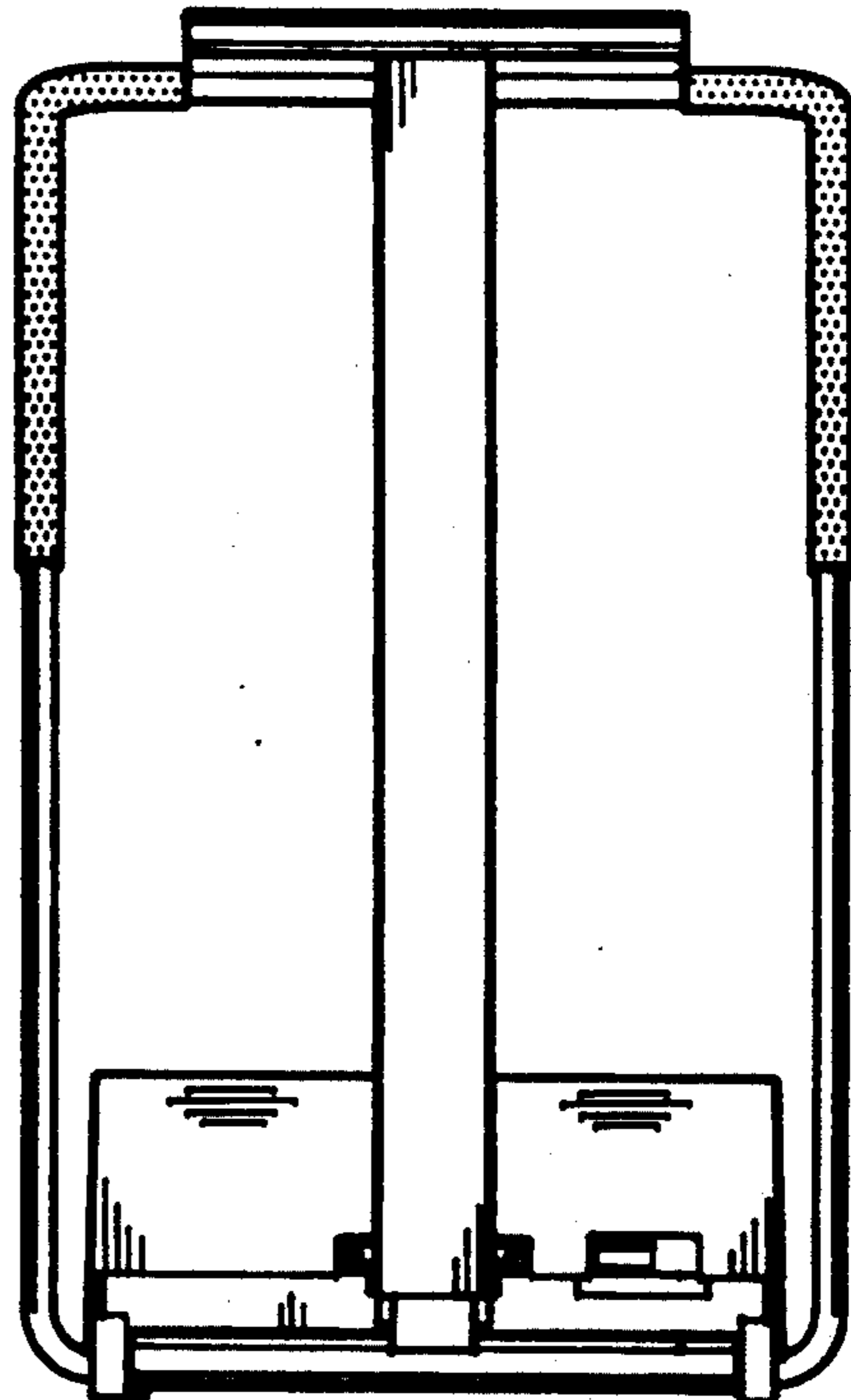


FIG. 6

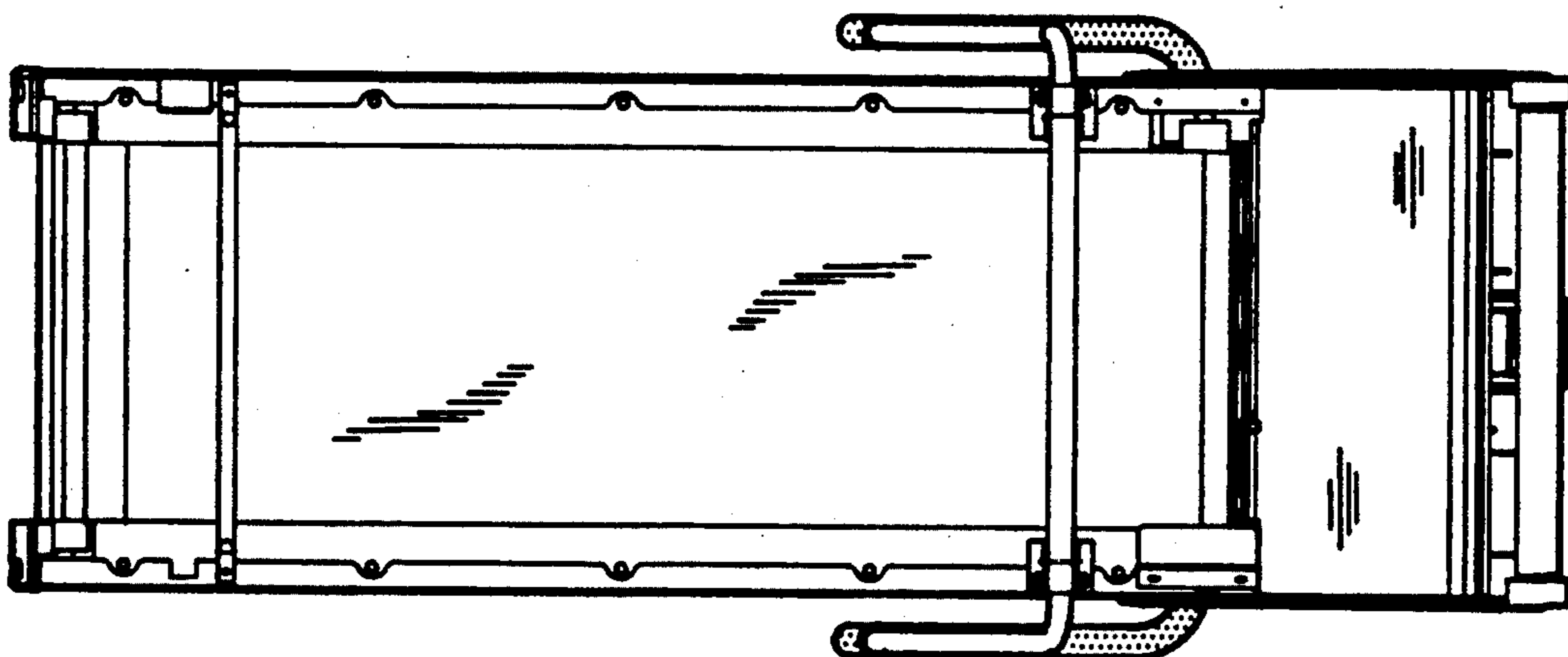


FIG. 7