



US00D333329S

United States Patent [19] Jacobs

[11] Patent Number: **Des. 333,329**
[45] Date of Patent: **** Feb. 16, 1993**

[54] **EXERCISE STOOL**
[76] Inventor: **Lawrence I. Jacobs**, 22002 Capistrano La., Huntington Beach, Calif. 92646
[**] Term: **14 Years**
[21] Appl. No.: **689,619**
[22] Filed: **Apr. 23, 1991**
[52] U.S. Cl. **D21/191; D23/309**
[58] Field of Search **D21/191; 482/68; D6/333, 349; D23/296, 303, 304, 309; 4/577.1, 578.1, 579**

3,077,347 2/1963 Nova 482/142
4,337,942 7/1982 Sidlinger et al. 482/142
4,510,956 4/1985 King 482/68
4,574,409 3/1986 McAffrey 4/579

Primary Examiner—B. J. Bullock
Assistant Examiner—P. Hyder
Attorney, Agent, or Firm—Zarley, McKee, Thomte, Voorhees, & Sease

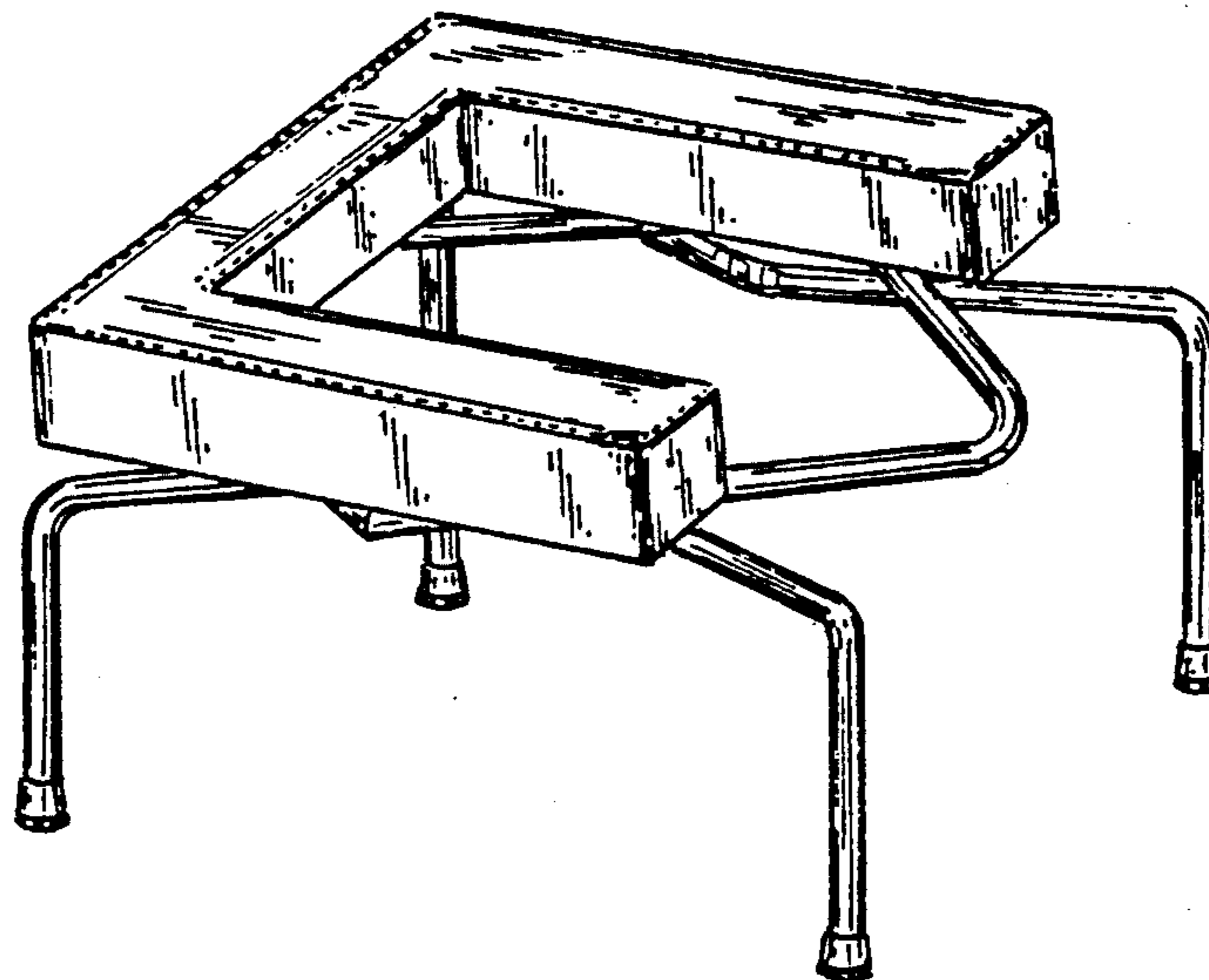
[57] CLAIM

The ornamental design for an exercise stool, as shown and described.

DESCRIPTION

FIG. 1 is a top, front and left side perspective view of an exercise stool, showing my new design;
FIG. 2 is a top plan view thereof;
FIG. 3 is a front elevational view thereof;
FIG. 4 is a right side elevational view thereof;
FIG. 5 is a rear elevational view thereof;
FIG. 6 is a bottom, front and right side perspective view thereof; and,
FIG. 7 is a bottom plan view thereof.

[56] **References Cited**
U.S. PATENT DOCUMENTS
D. 148,960 3/1948 Sawyer D23/296
D. 232,165 7/1974 Hiller D23/309
D. 234,278 2/1975 Jacobs D6/349
D. 251,321 3/1979 Barlew D21/191
D. 257,879 1/1981 Hicks D23/309
D. 268,796 5/1983 Kola D6/349
3,040,335 6/1962 Gellmann 4/579



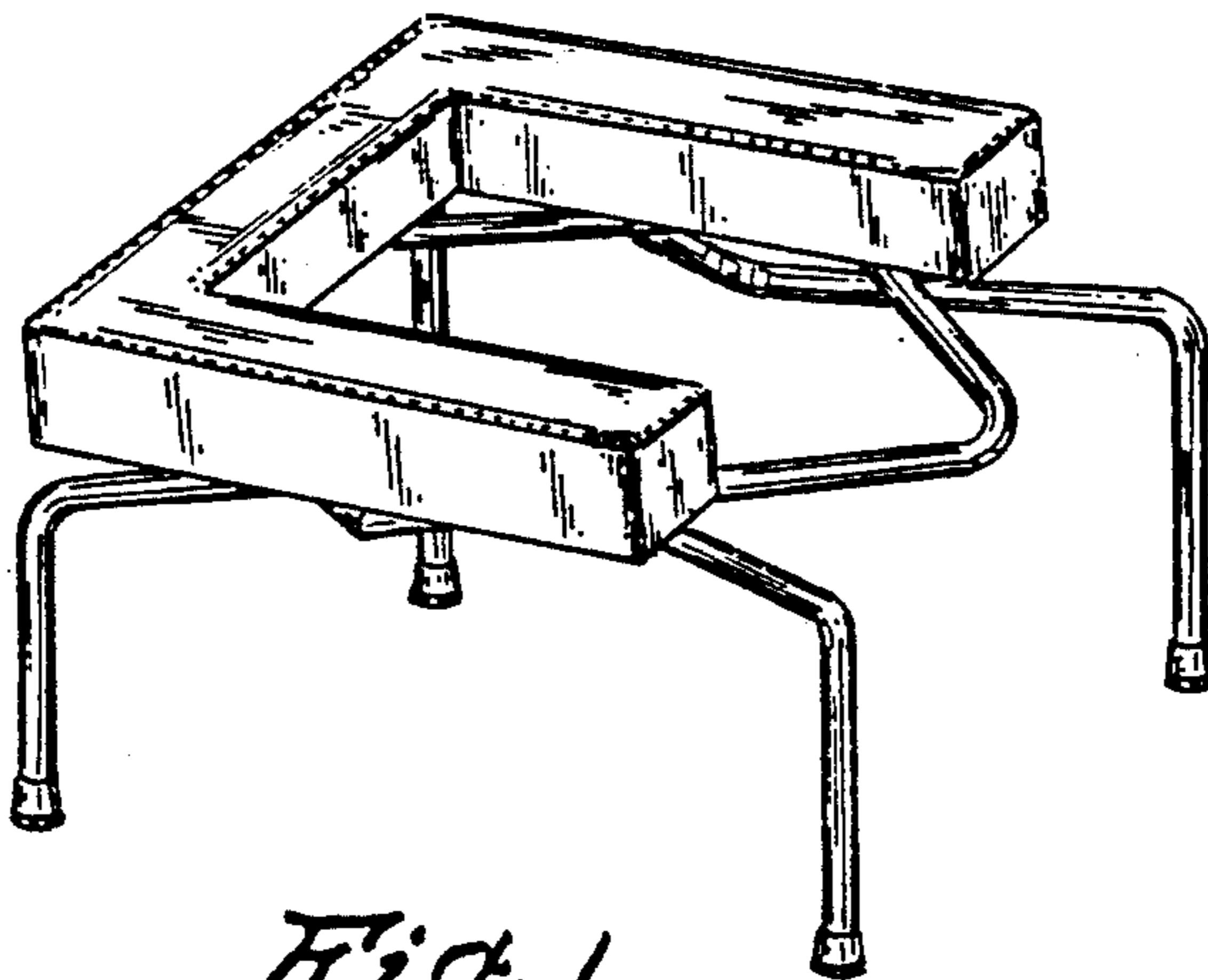


Fig. 1

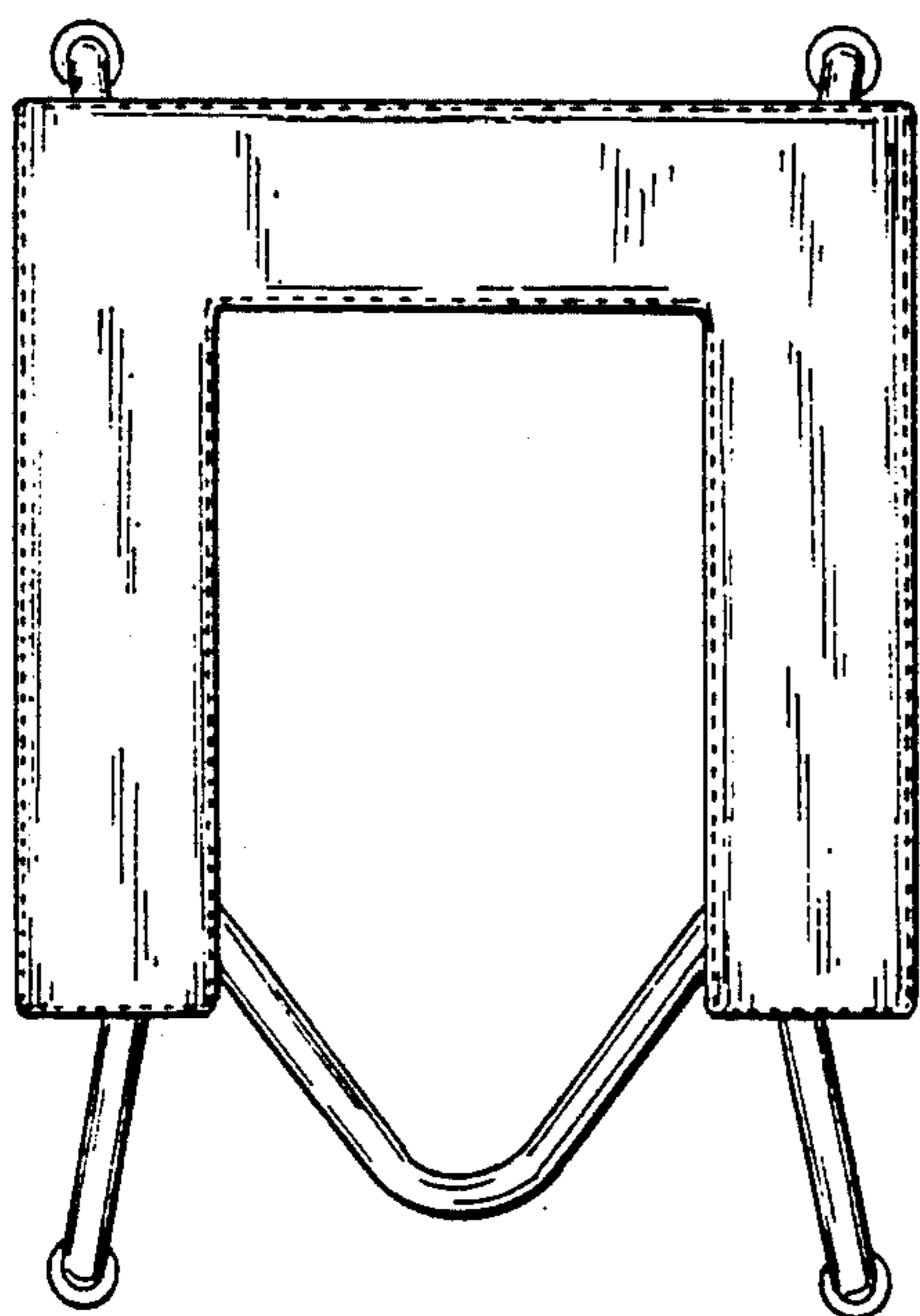


Fig. 2

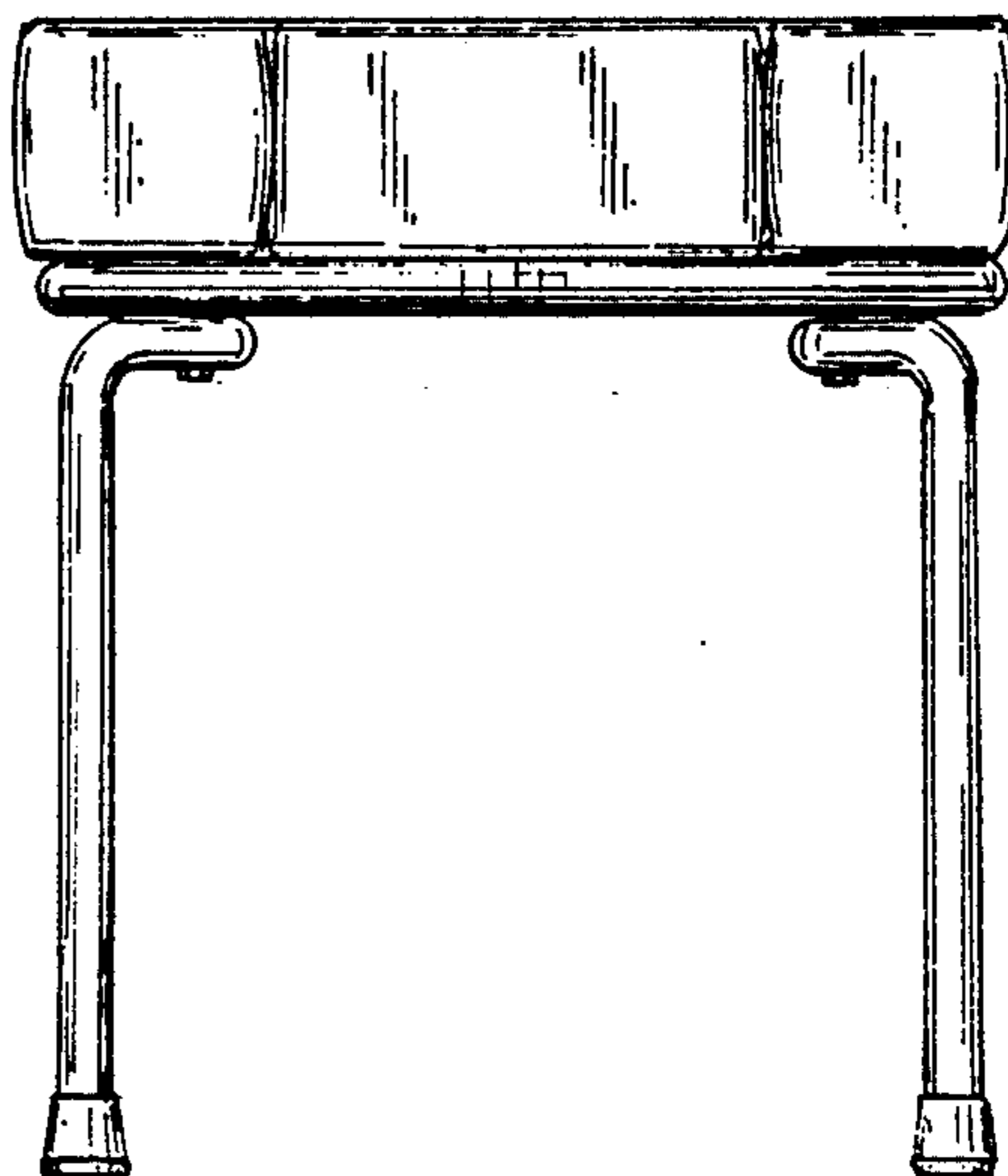


Fig. 3

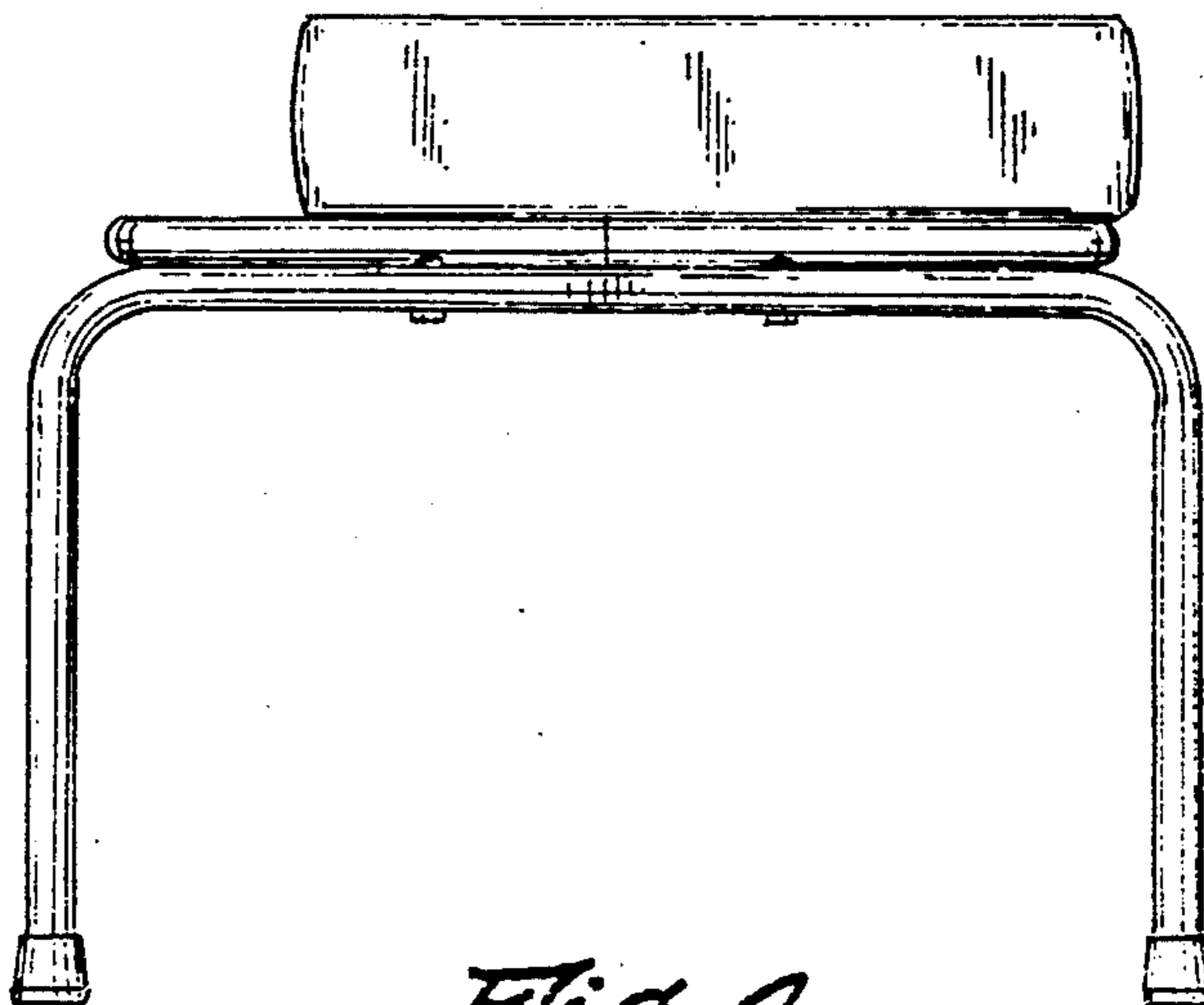


Fig. 4

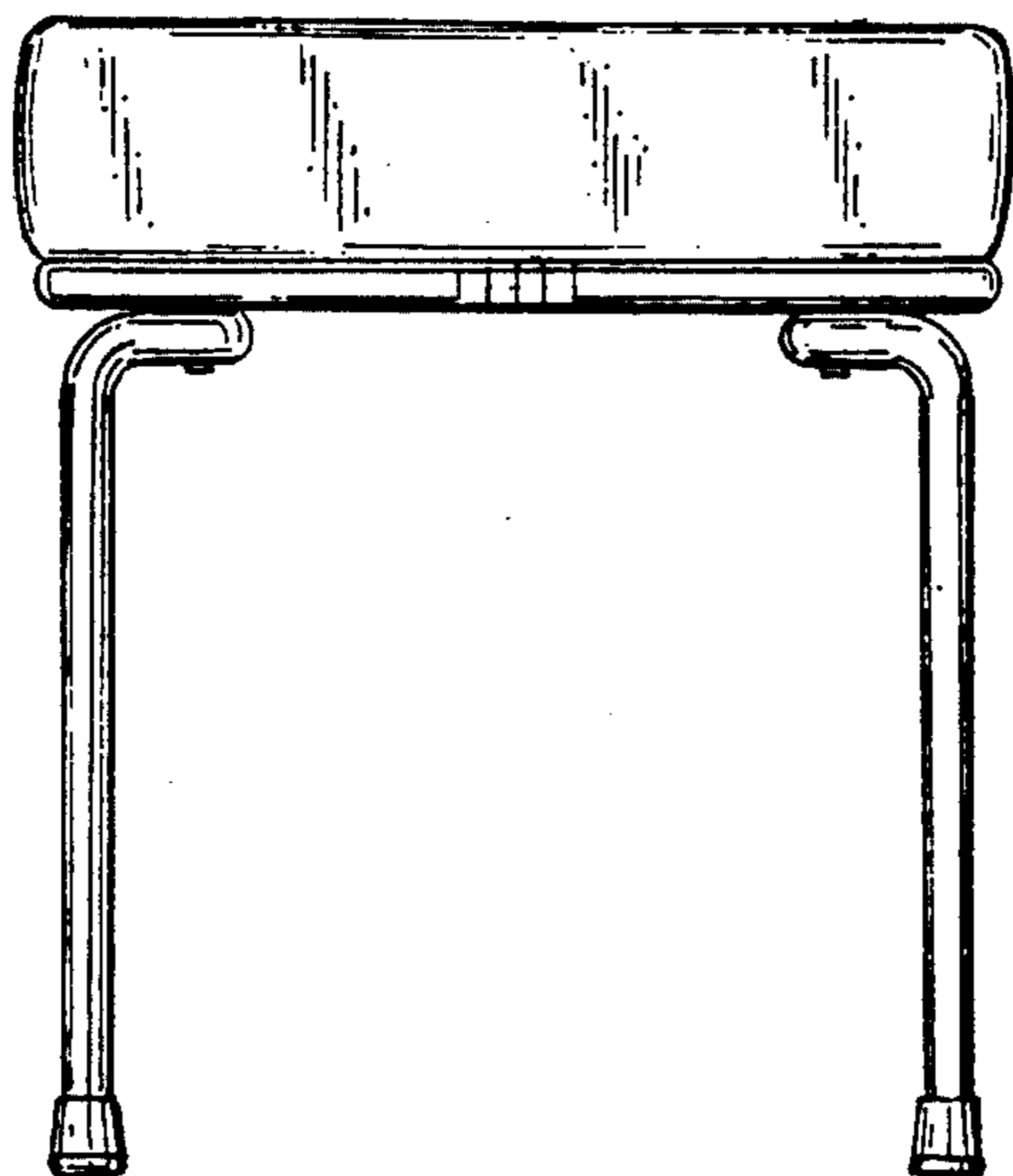


Fig. 5

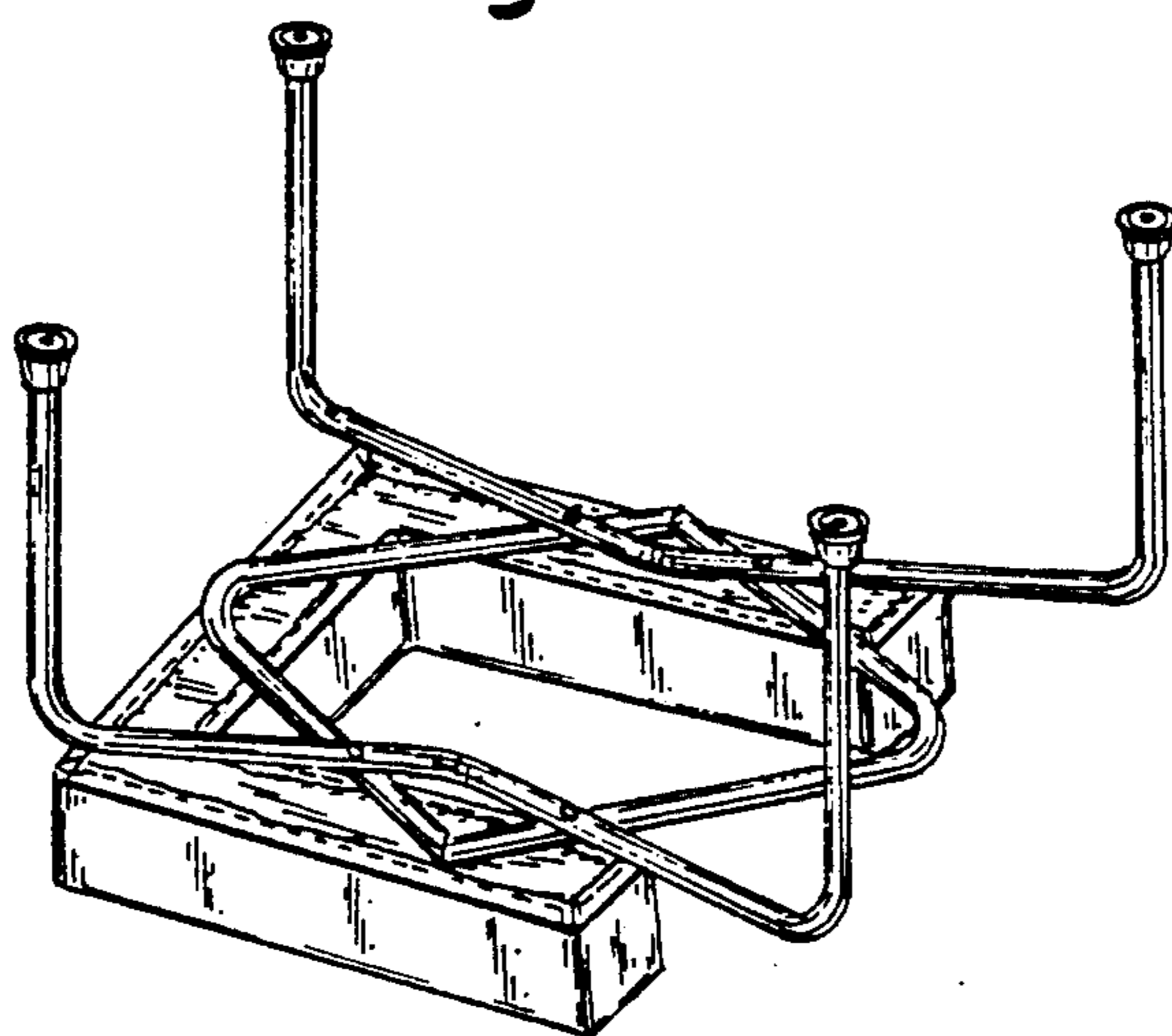


Fig. 6

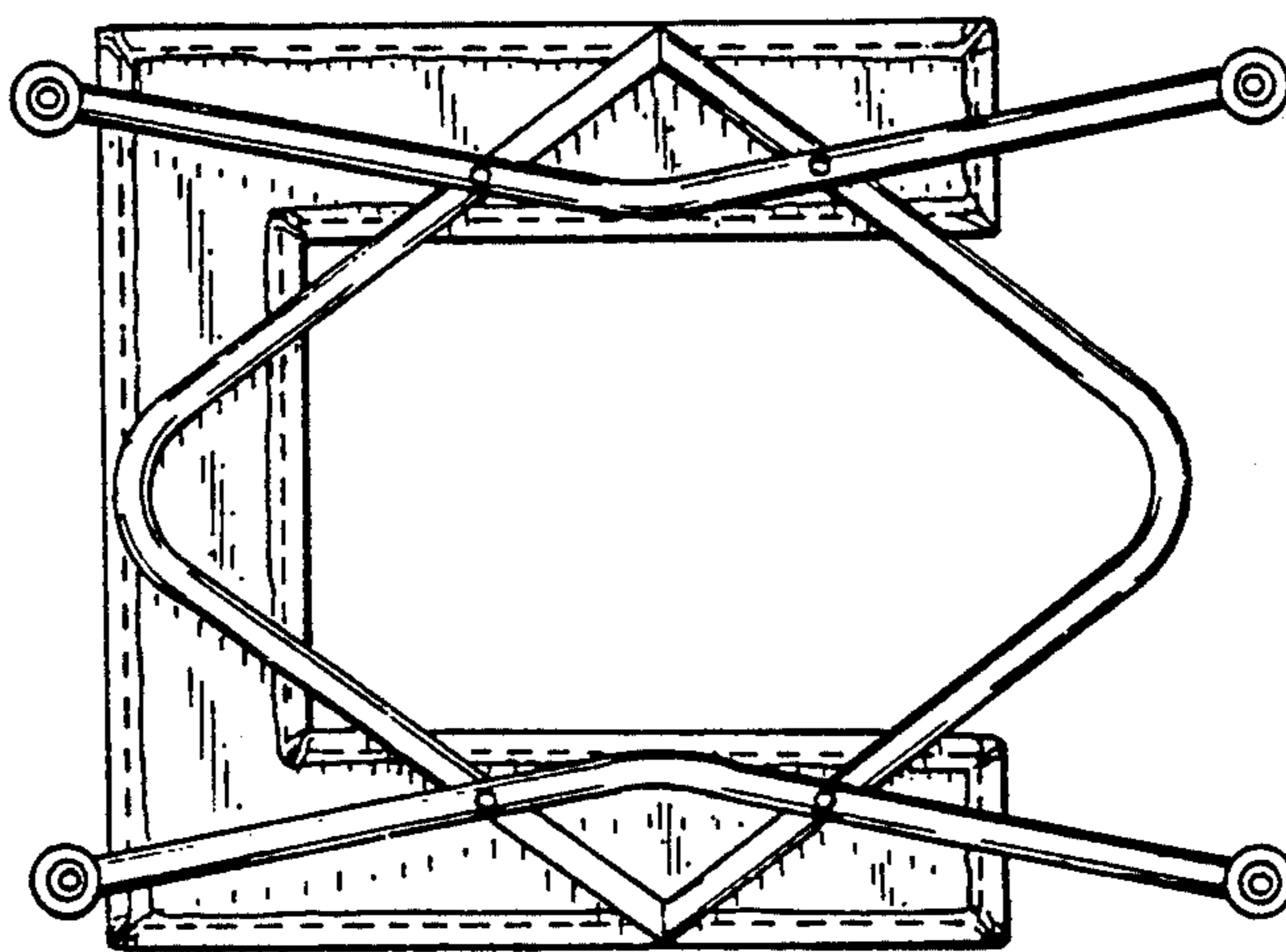


Fig. 7