



US00D333324S

United States Patent [19]

[11] Patent Number: **Des. 333,324**

Michael

[45] Date of Patent: **** Feb. 16, 1993**

[54] FOOT PEDAL FOR ELECTRONIC GAME

[75] Inventor: **Kin-Man T. Michael, Kowloon, Hong Kong**

[73] Assignee: **STD Electronic International Ltd., Hong Kong**

[**] Term: **14 Years**

[21] Appl. No.: **797,277**

[22] Filed: **Nov. 25, 1991**

[52] U.S. Cl. **D21/48**

[58] Field of Search **D21/13, 48; 273/433-439, 148 B, DIG. 28; D14/114, 126, 125**

D. 314,193 1/1991 Ishihara et al. D14/114

D. 326,117 5/1992 Barr et al. D21/48

3,215,433 11/1965 Malcolm, Jr. 273/148 B

3,361,091 1/1968 Inman 273/148 B X

Primary Examiner—Bernard Ansher
Assistant Examiner—Prabhakar Deshmukh
Attorney, Agent, or Firm—Burns, Doane, Swecker & Mathis

[57] CLAIM

The ornamental design for a foot pedal for electronic game, as shown and described.

DESCRIPTION

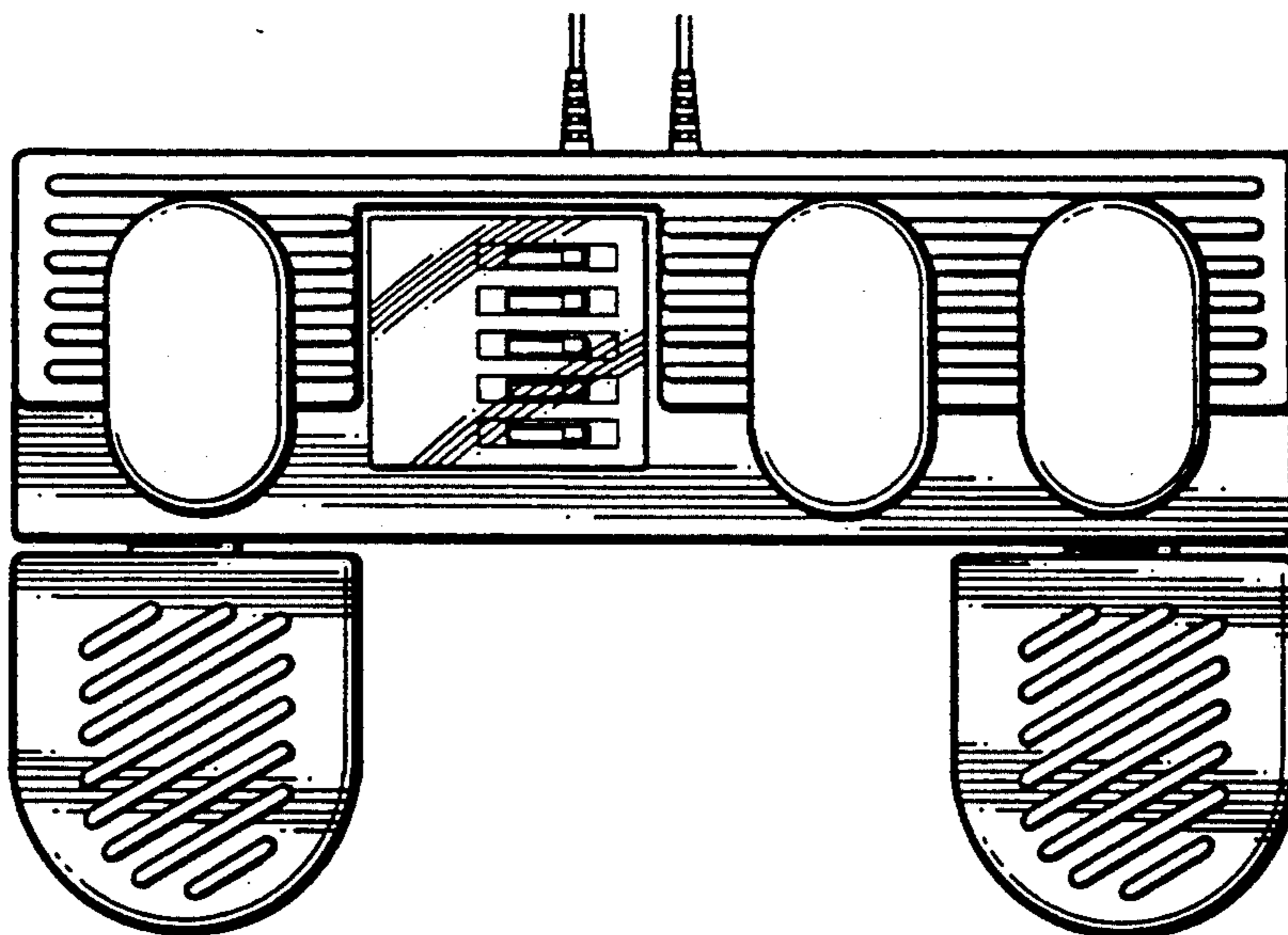
FIG. 1 is a front elevational view of a foot pedal for electronic game showing my new design; FIG. 2 is a rear elevational view thereof; FIG. 3 is a left side elevational view thereof; FIG. 4 is a right side elevational view thereof; FIG. 5 is a top plan view thereof; and, FIG. 6 is a bottom plan view thereof.

[56] References Cited

U.S. PATENT DOCUMENTS

D. 292,224 10/1987 Trumbull D21/48 X

D. 311,392 10/1990 Hillary et al. D14/114



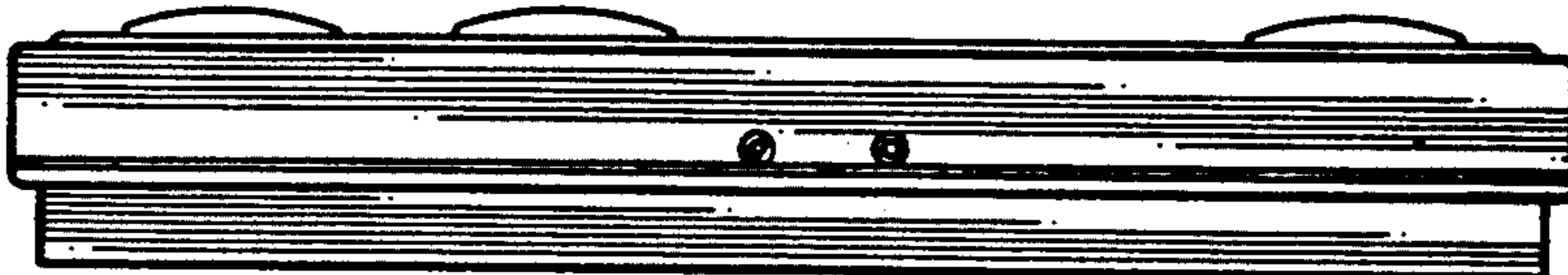


FIG. 2

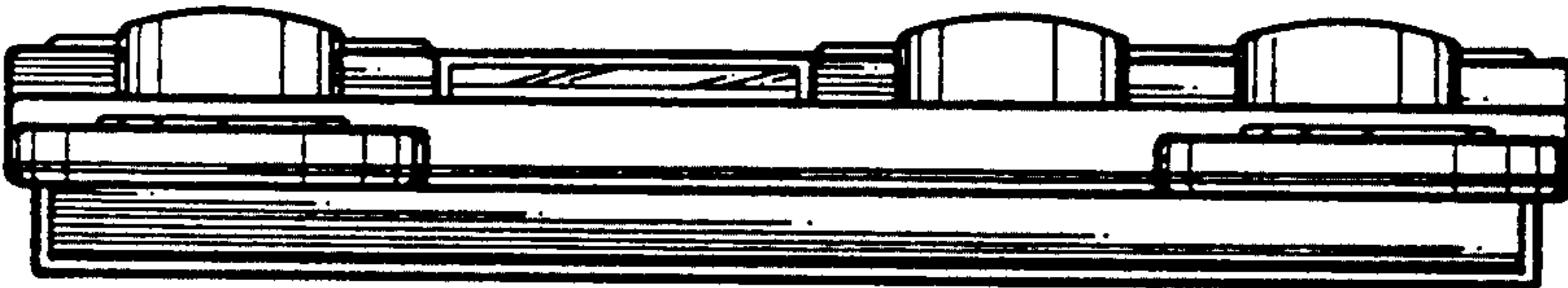


FIG. 1

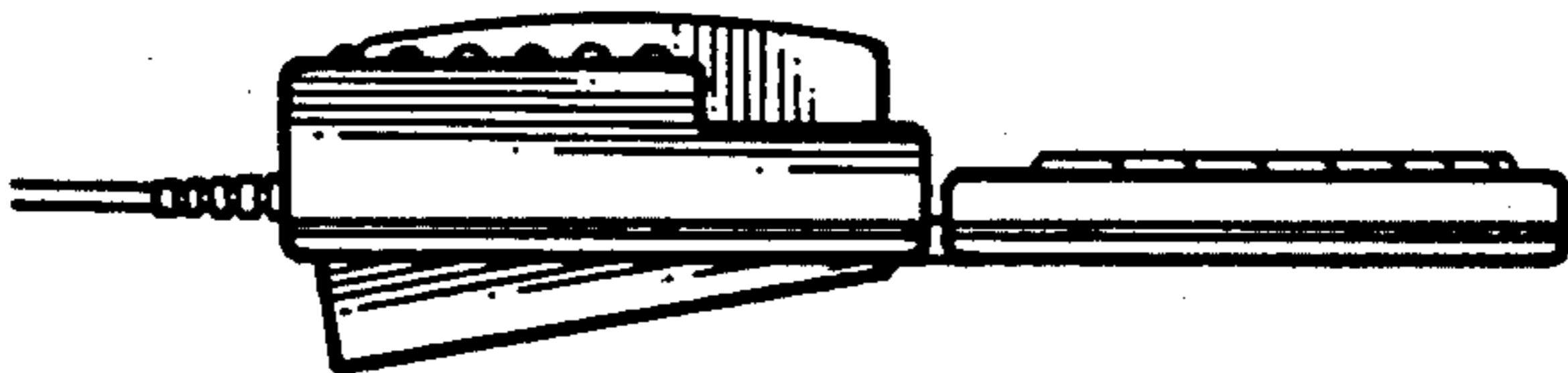


FIG. 3

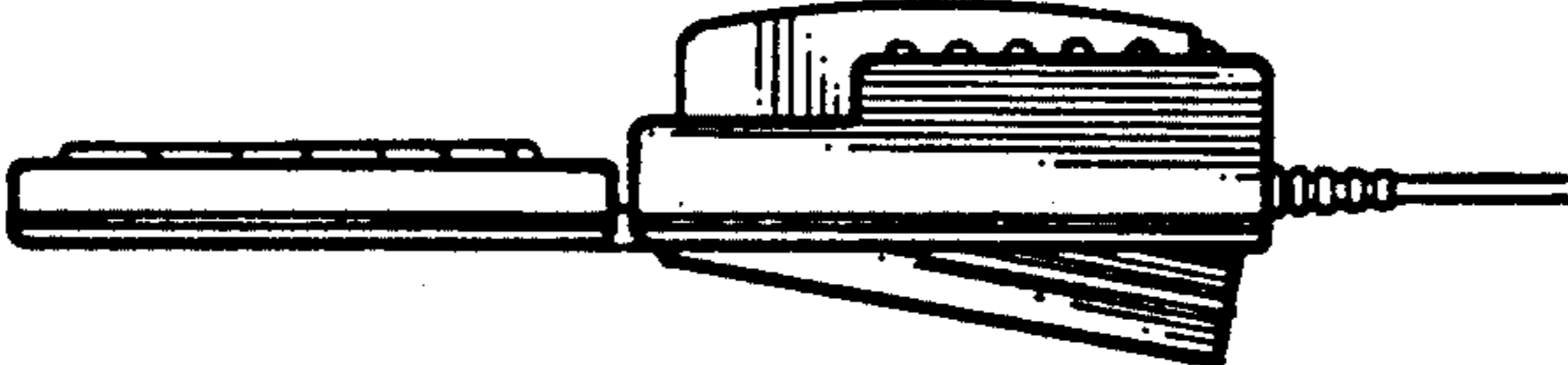


FIG. 4

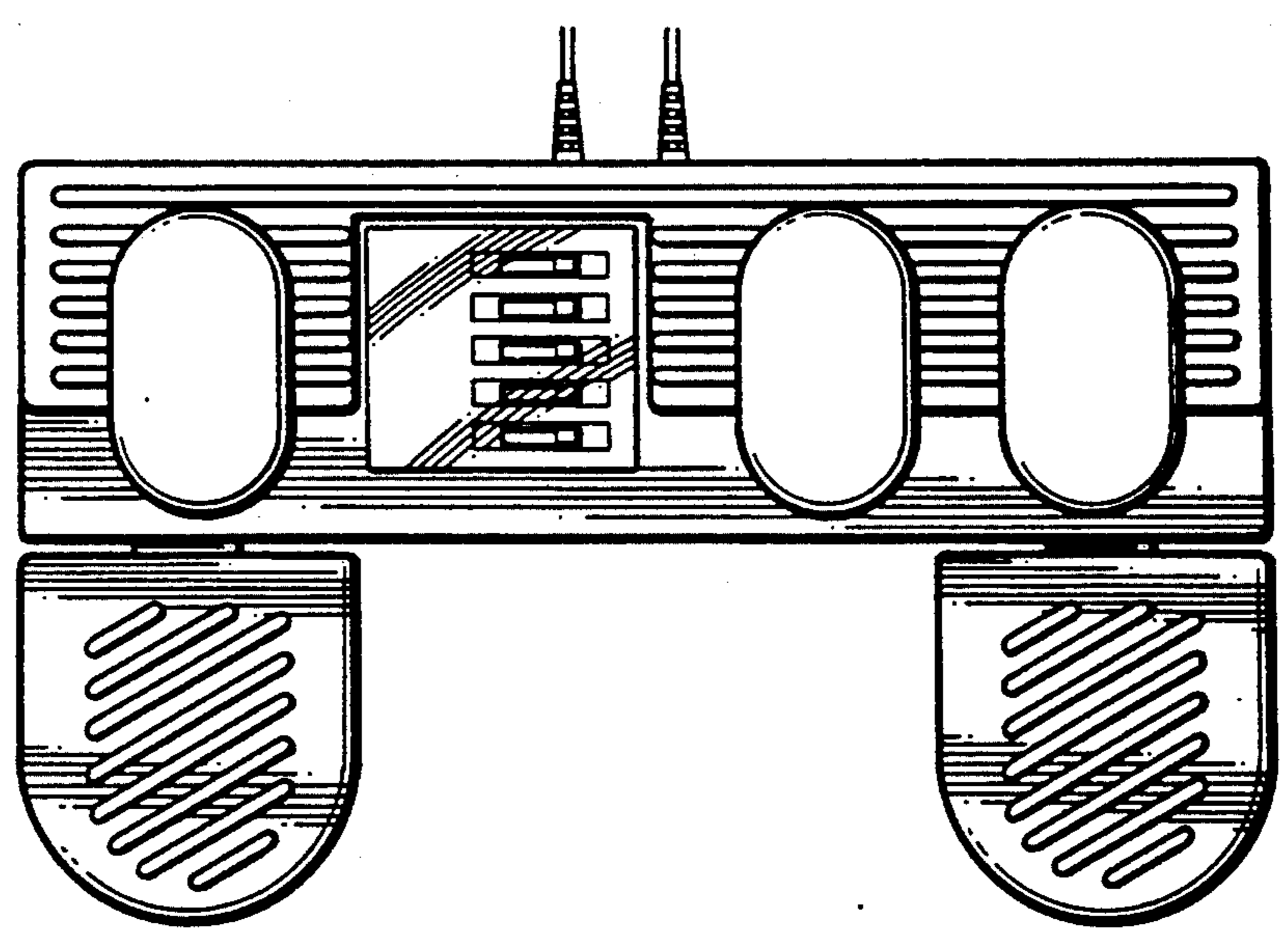


FIG. 5

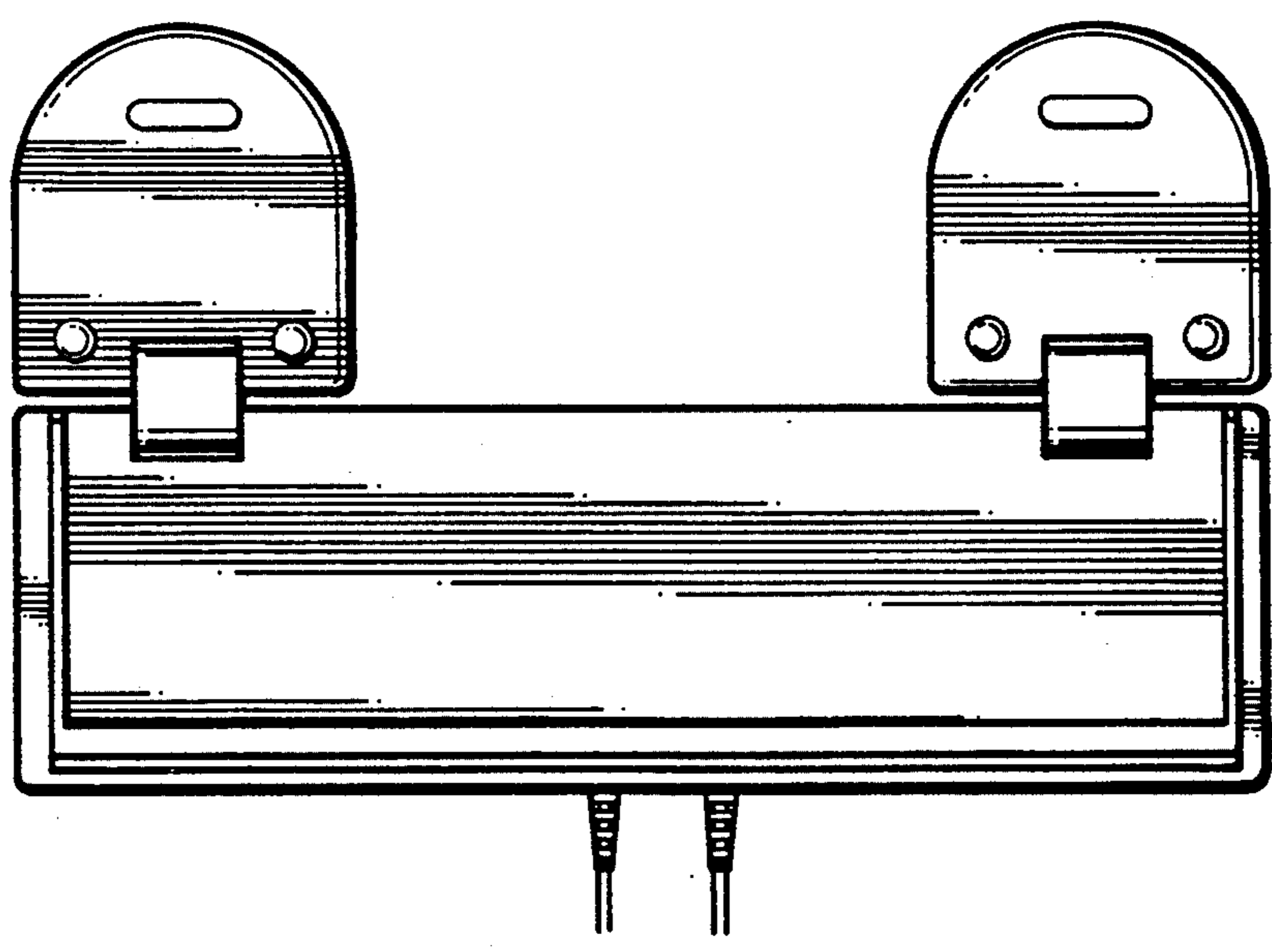


FIG. 6