



US00D333319S

United States Patent [19]

[11] Patent Number: **Des. 333,319**

Hwang

[45] Date of Patent: **** Feb. 16, 1993**

[54] **TEACHING AID FOR CHILDREN
LEARNING ALGEBRAIC NUMBERS**

5,060,940 10/1991 Mullen 273/1.5 A

[76] Inventor: **Faa C. Hwang**, No. 12, Alley 37,
Lane 41, Ting Hsing Rd., Kuei Shan
Hsiang, Tao Yuan Hsien, Taiwan

Primary Examiner—Wallace R. Burke
Assistant Examiner—Melody Brown
Attorney, Agent, or Firm—Morton J. Rosenberg; David
I. Klein

[**] Term: **14 Years**

[57] CLAIM

[21] Appl. No.: **679,580**

The ornamental design for a teaching aid for children
learning algebraic numbers, as shown and described.

[22] Filed: **Apr. 3, 1991**

DESCRIPTION

[52] U.S. Cl. **D19/64**

[58] Field of Search **D19/64, 61, 62, 59;
273/1.5 A; D21/201; 434/248, 208**

FIG. 1 is a perspective view from the front, top, and left
side of a teaching aid for children learning algebraic
numbers showing my design;

[56] References Cited

U.S. PATENT DOCUMENTS

D. 235,897	7/1975	Breneman	D21/201
D. 238,440	1/1976	Scarlotti	D21/201
D. 321,392	11/1991	Chen	D21/201
3,204,345	9/1965	Buckner	D19/64
3,295,229	1/1967	Fisher	434/208

FIG. 2 is a front elevational view thereof;

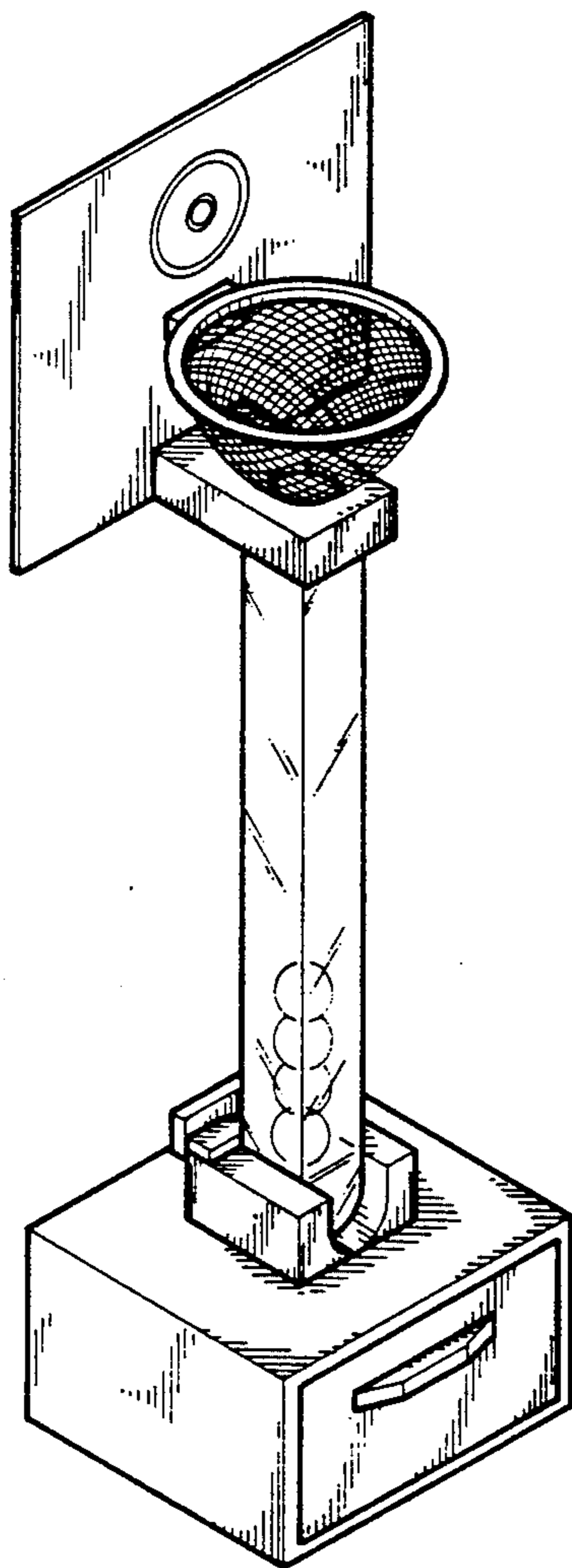
FIG. 3 is a rear elevational view thereof;

FIG. 4 is a top plan view thereof;

FIG. 5 is a bottom plan view thereof;

FIG. 6 is a left side view thereof (the right side being a
mirror image thereof); and,

FIG. 7 is a perspective view thereof, with the drawer in
open condition containing ball-like objects.



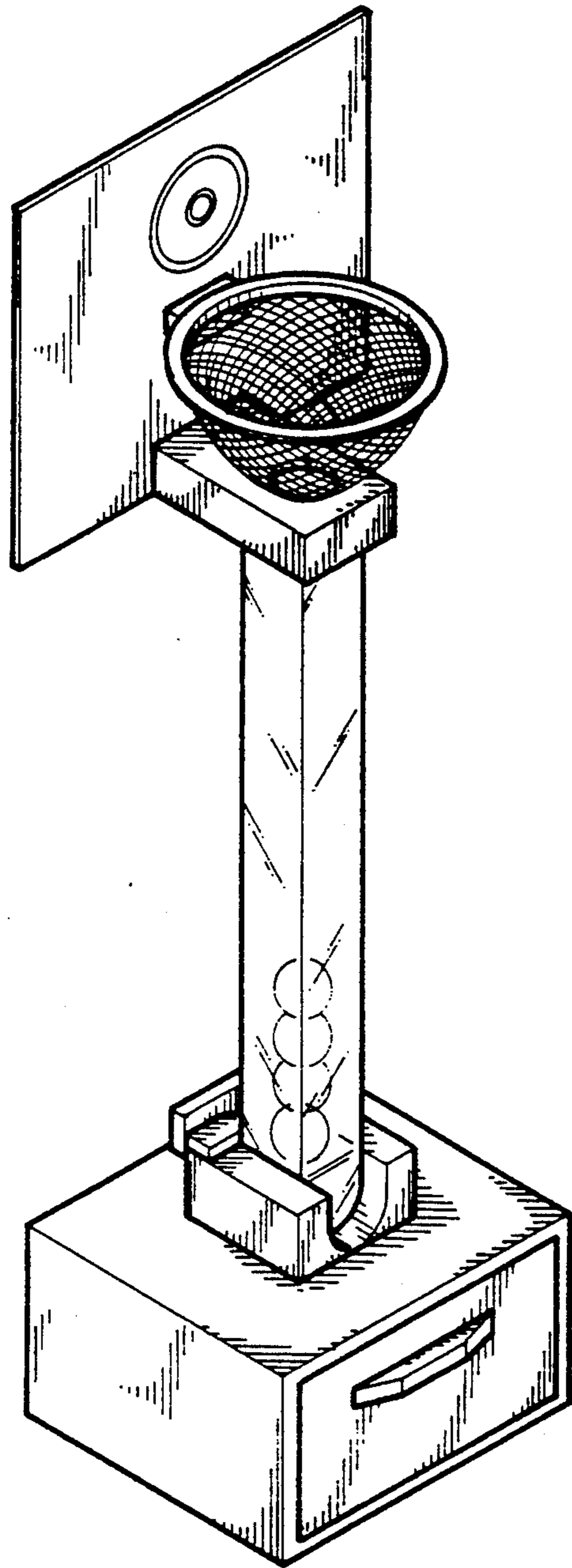


FIG. 1

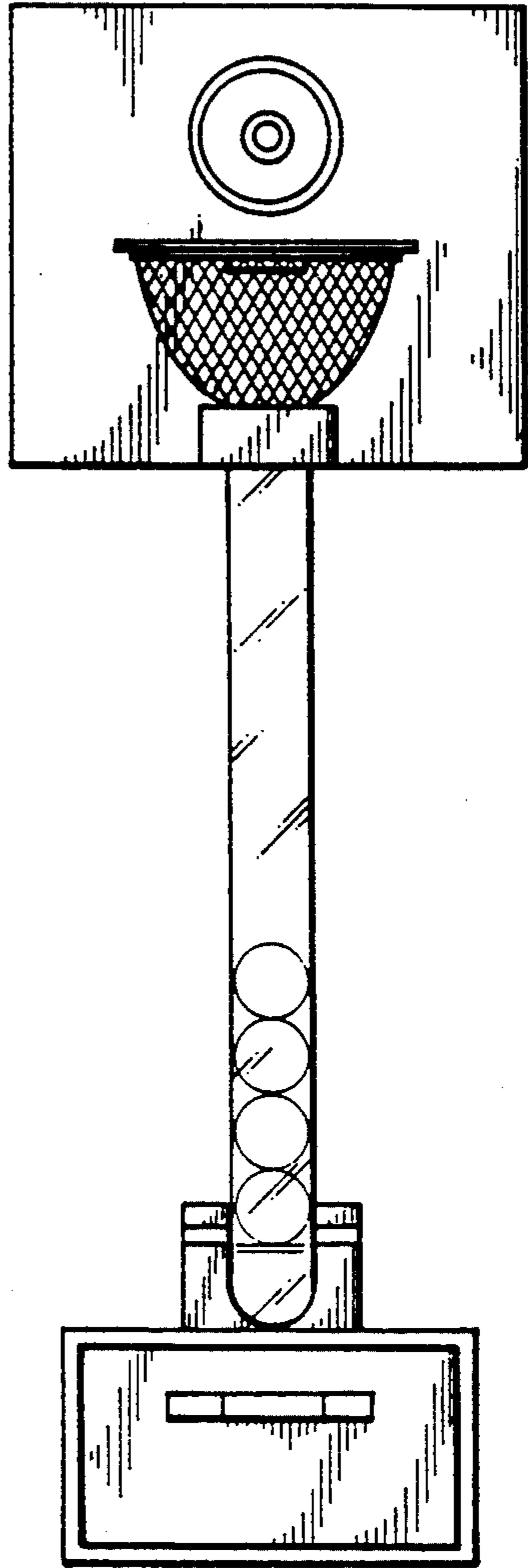


FIG. 2

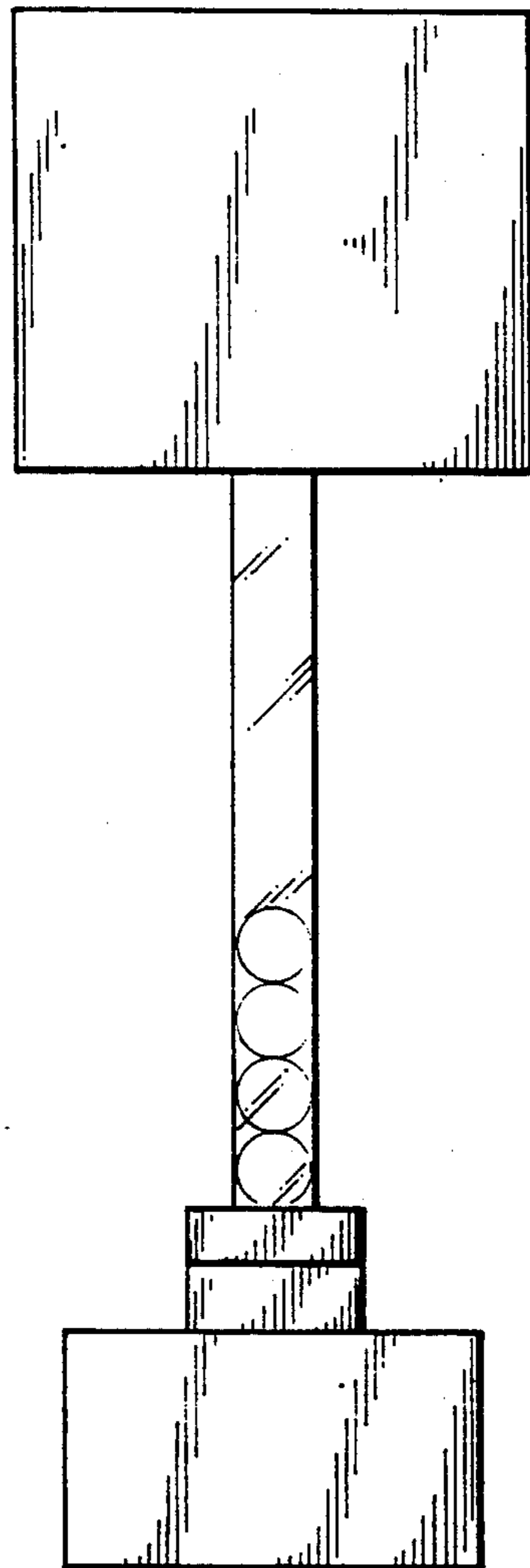


FIG. 3

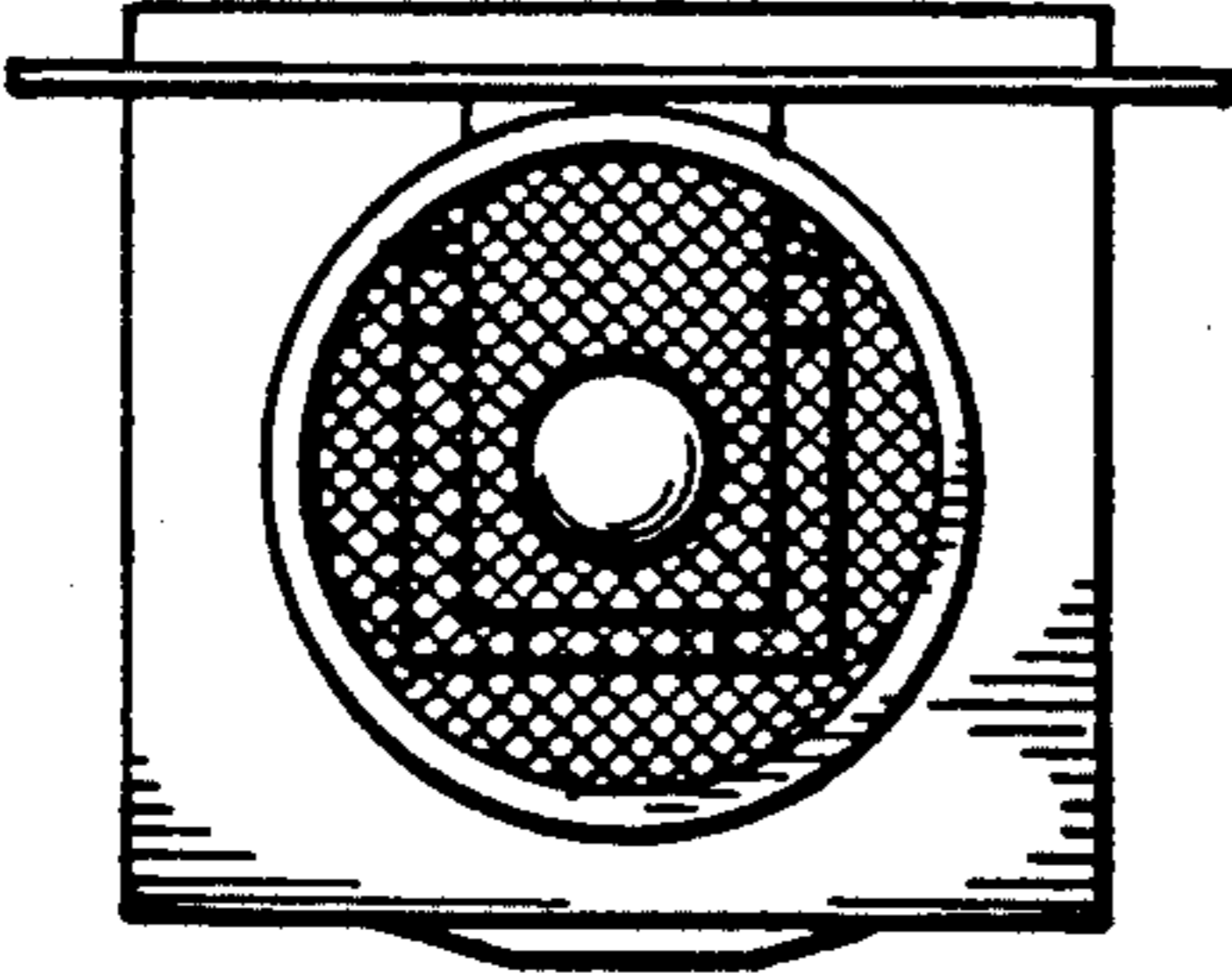


FIG. 4

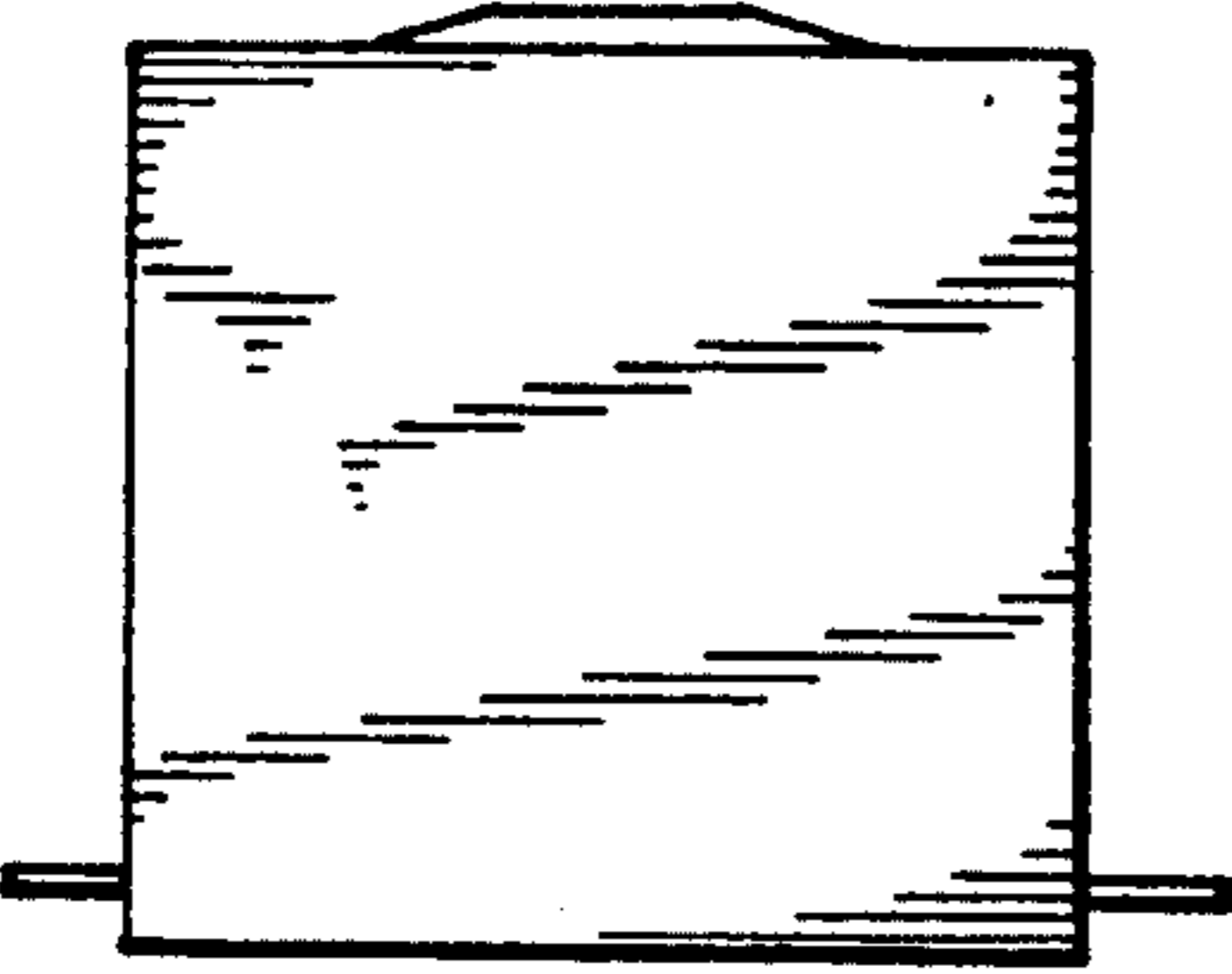


FIG. 5

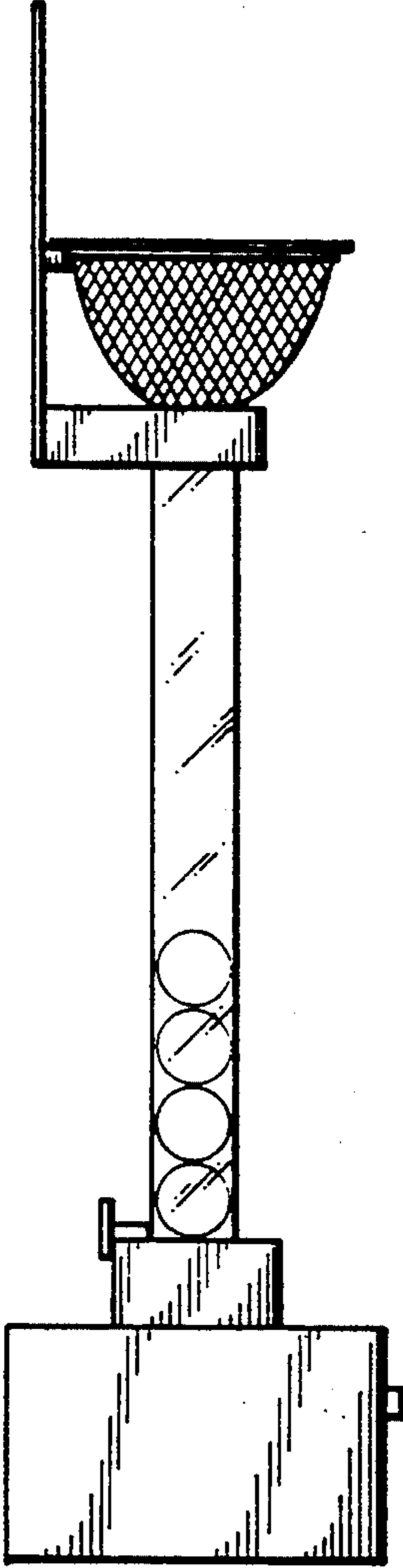


FIG. 6

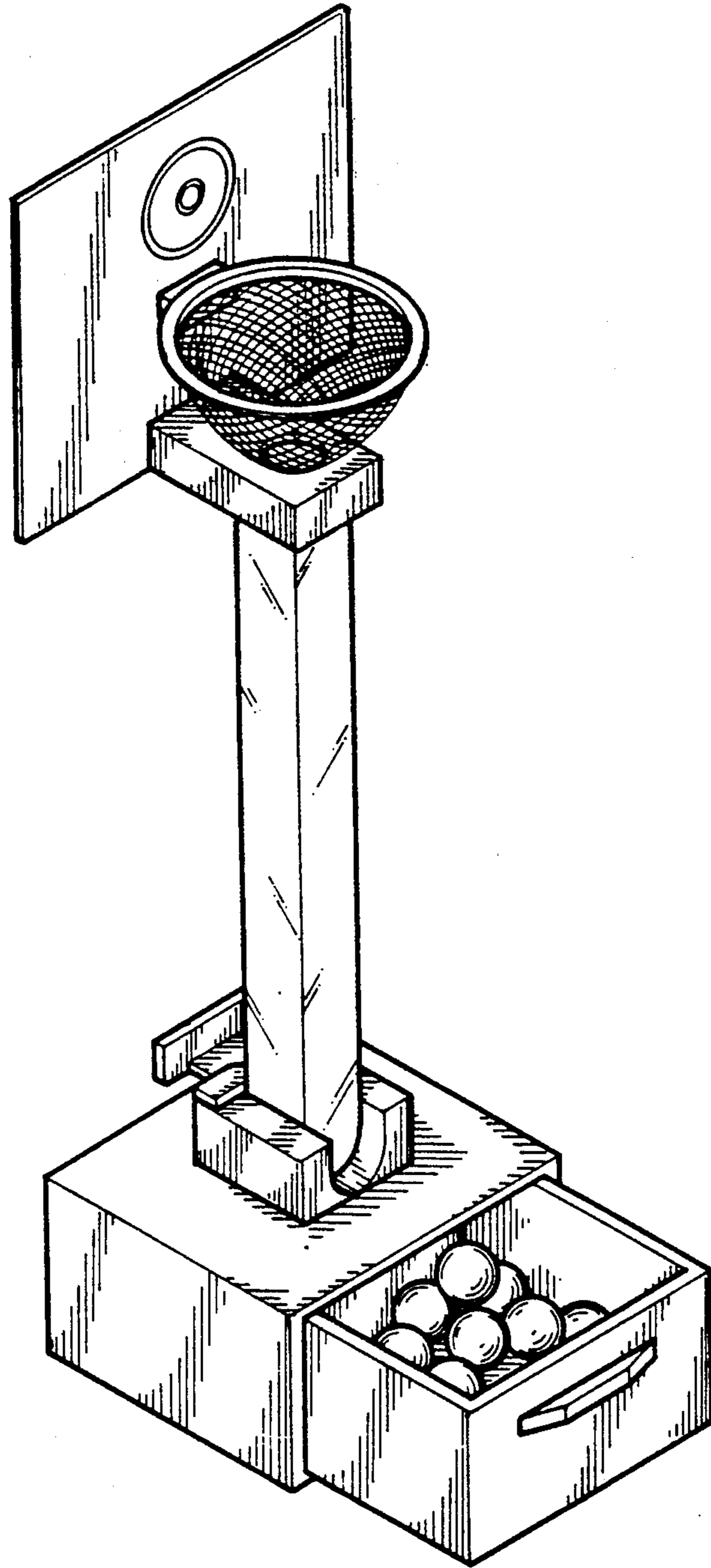


FIG. 7