



US00D333316S

United States Patent [19]

[11] Patent Number: **Des. 333,316**

Ishizawa

[45] Date of Patent: **** Feb. 16, 1993**

[54] **PRINTER FOR ELECTRONIC COMPUTER**

[75] Inventor: **Shoichi Ishizawa, Nagano, Japan**

[73] Assignee: **Seiko Epson Corporation, Tokyo, Japan**

[**] Term: **14 Years**

[21] Appl. No.: **693,280**

[22] Filed: **Apr. 30, 1991**

[30] **Foreign Application Priority Data**

Nov. 1, 1990 [JP] Japan 2-36751

[52] U.S. Cl. **D18/55**

[58] Field of Search D21/37; D18/50-51,
D18/53, 54-55; D14/100, 102, 111;
400/691-694, 613, 613.1-613.4

[56] **References Cited**

U.S. PATENT DOCUMENTS

- D. 264,971 6/1982 Chadima, Jr. D18/54
- D. 286,654 11/1986 Picard D21/37
- D. 290,258 6/1987 Weisz et al. D18/54
- D. 301,344 5/1989 Kubo et al. D18/54

- D. 316,869 5/1991 Sugawara et al. D18/54
- D. 323,526 1/1992 Kobayashi D18/54
- D. 324,234 2/1992 Tanaka D18/55
- 3,083,637 4/1963 Ritzerfeld et al. D18/50

OTHER PUBLICATIONS

Computer Design; Feb. 1981; p. 216; Canon Thermal Impact Printer PW-80; (photo top right of page).

Primary Examiner—Louis S. Zarfes
Assistant Examiner—Cathy Anne MacCormac
Attorney, Agent, or Firm—Blum Kaplan

[57] **CLAIM**

The ornamental design for a printer for electronic computer, as shown and described.

DESCRIPTION

FIG. 1 is a perspective view of the printer for electronic computer showing my new design; FIG. 2 is a top plan view thereof; FIG. 3 is a left side view thereof; FIG. 4 is a front elevational view thereof; FIG. 5 is a right side view thereof; FIG. 6 is a rear elevational view thereof; and, FIG. 7 is a bottom plan view thereof.

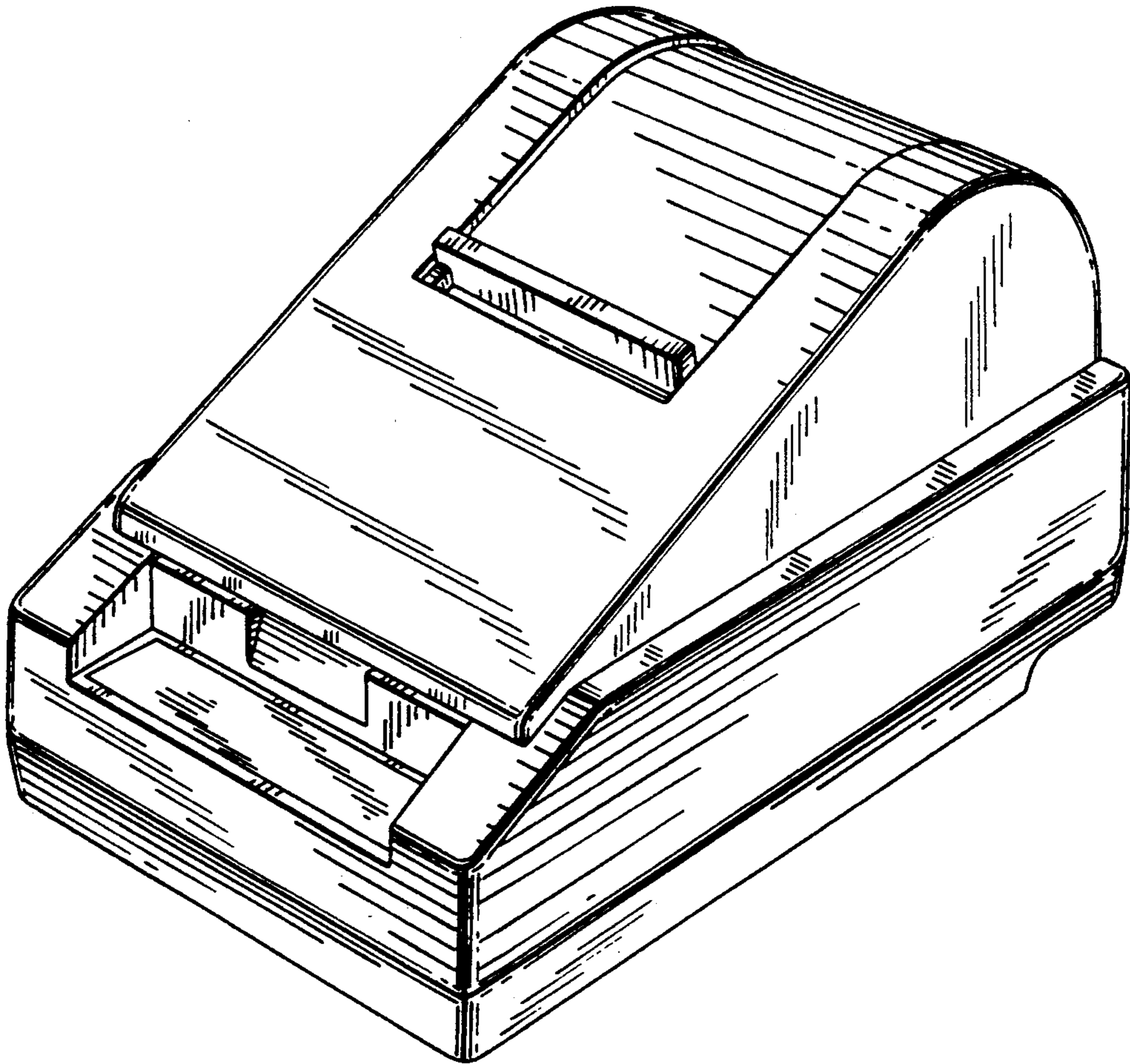


FIG. 1

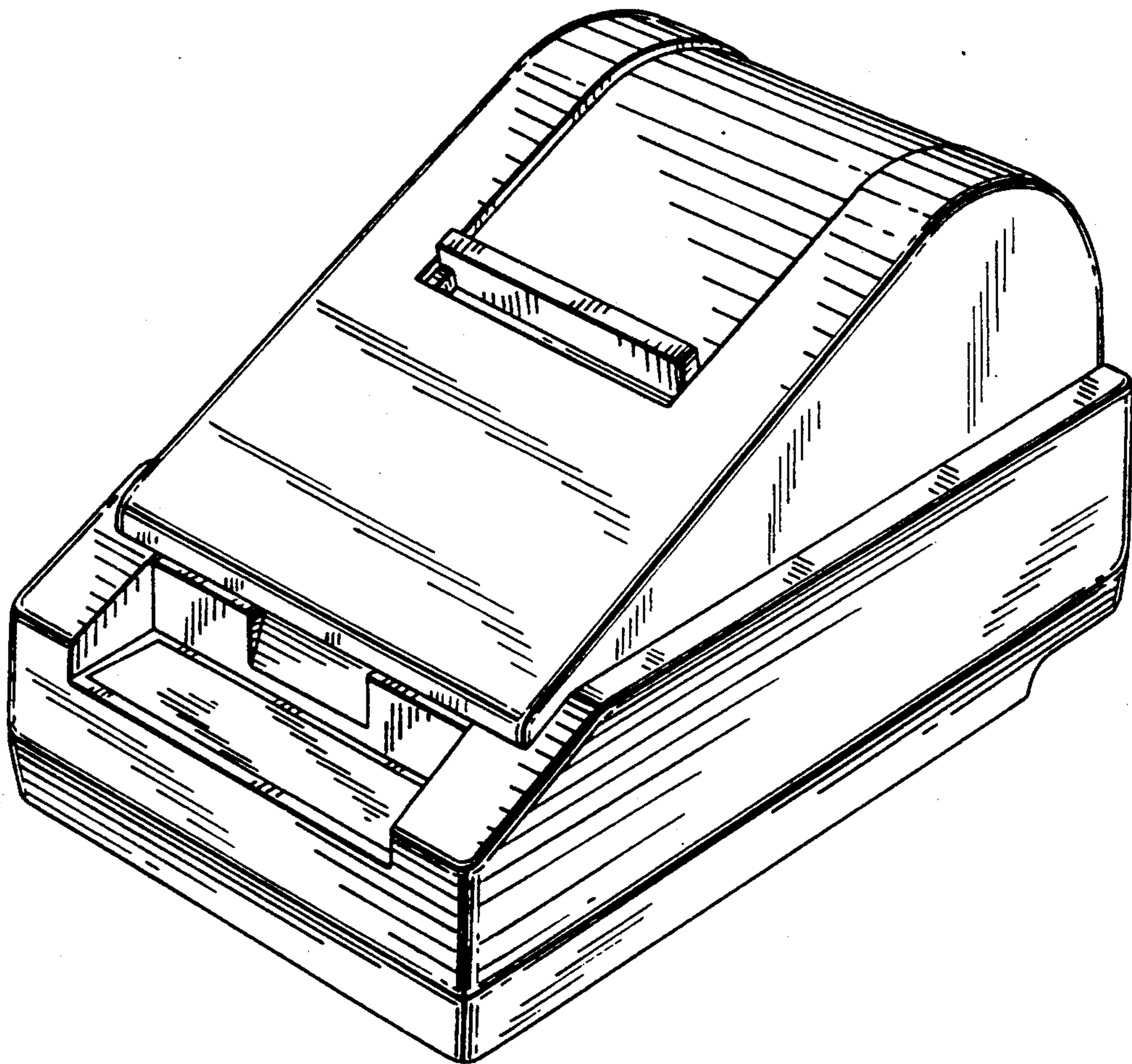


FIG. 2

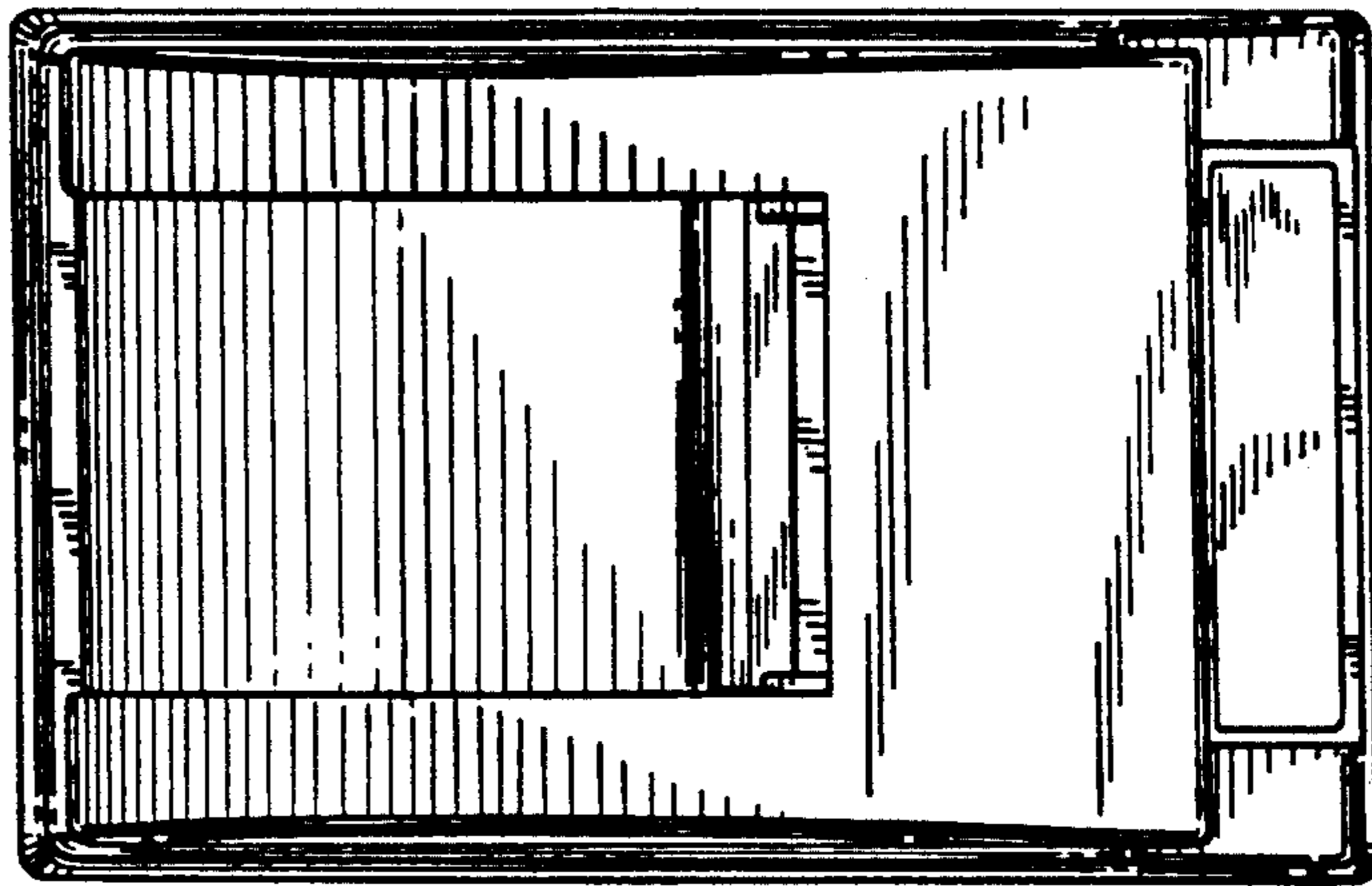


FIG. 3

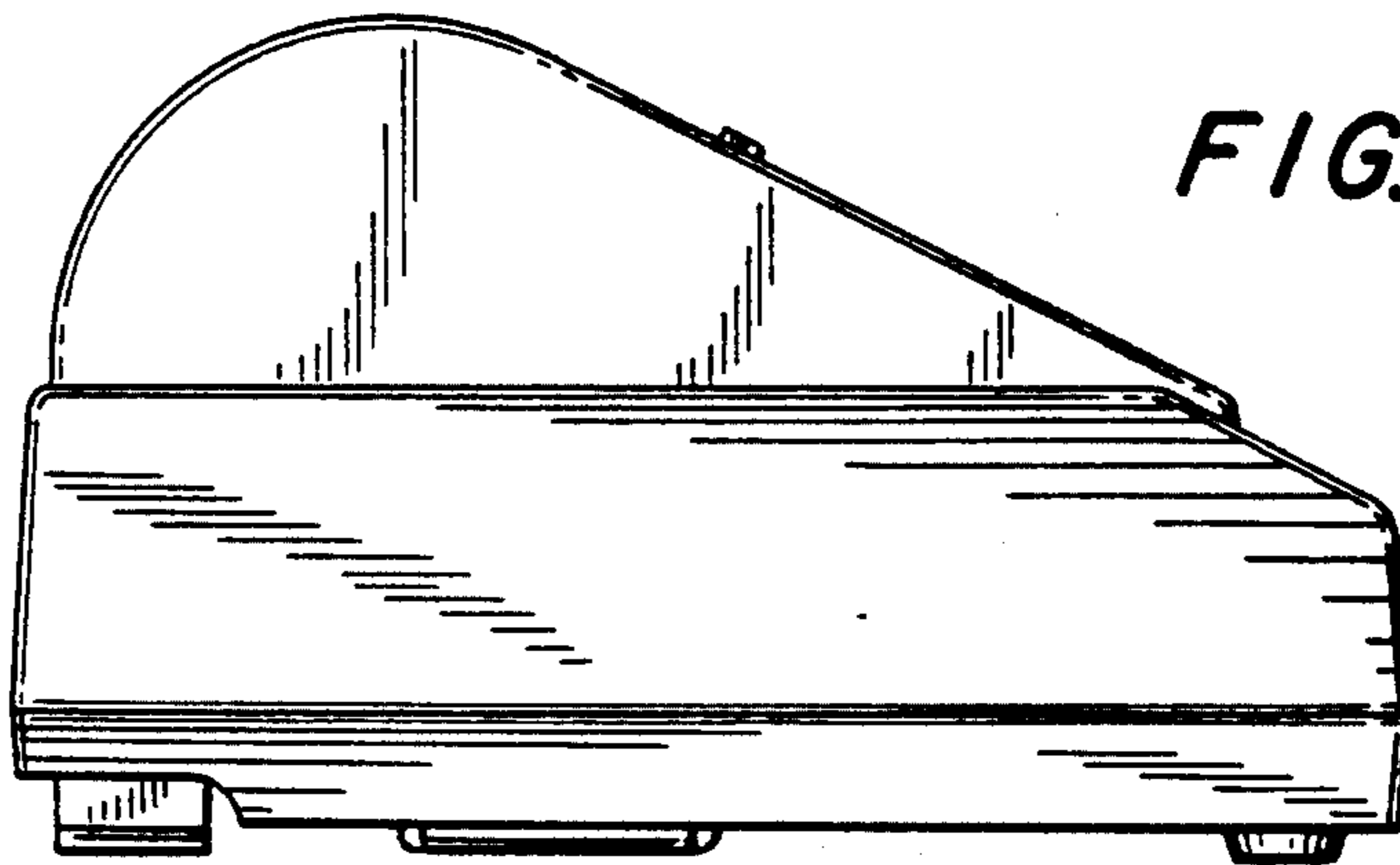


FIG. 4

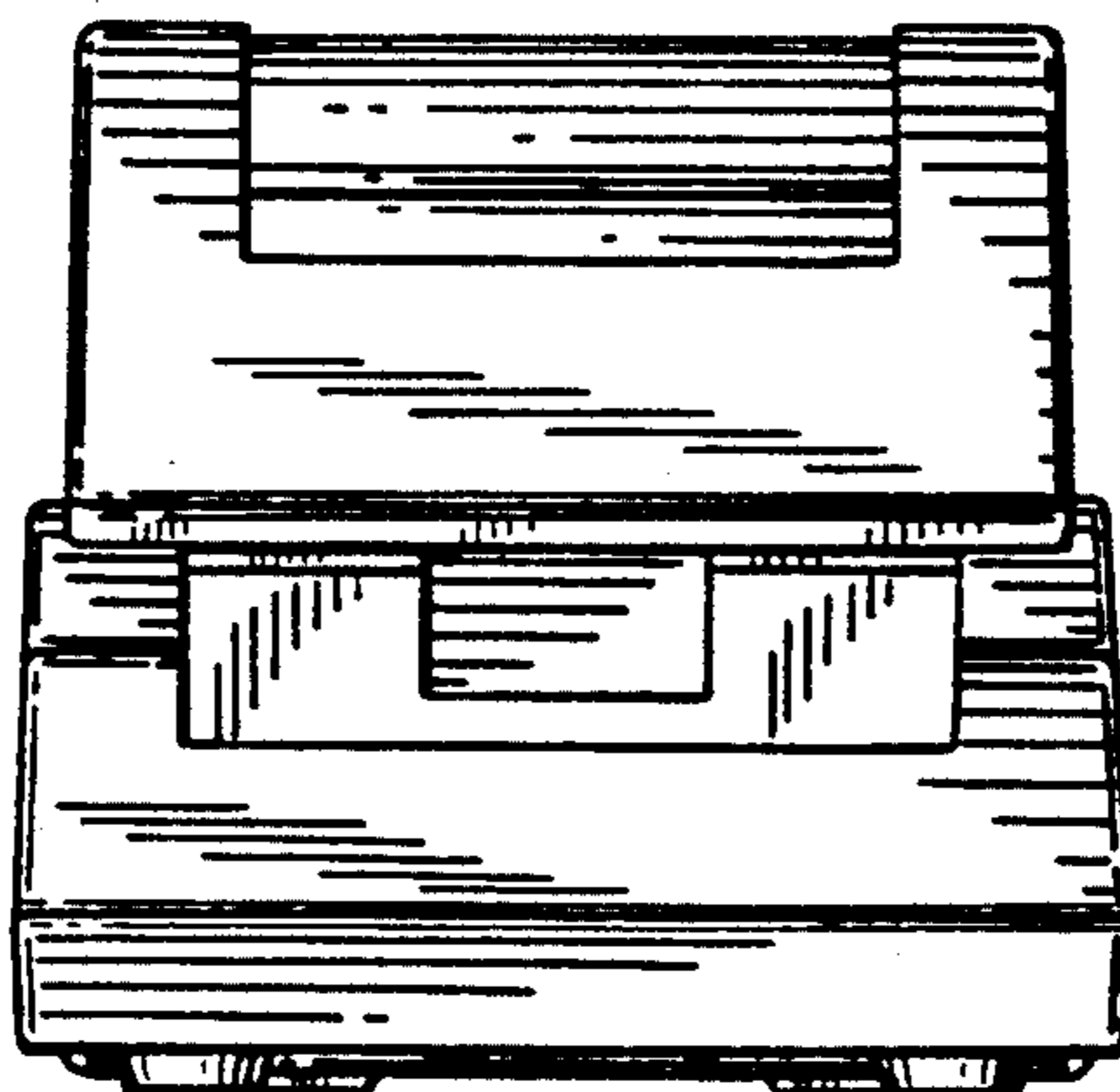


FIG. 5

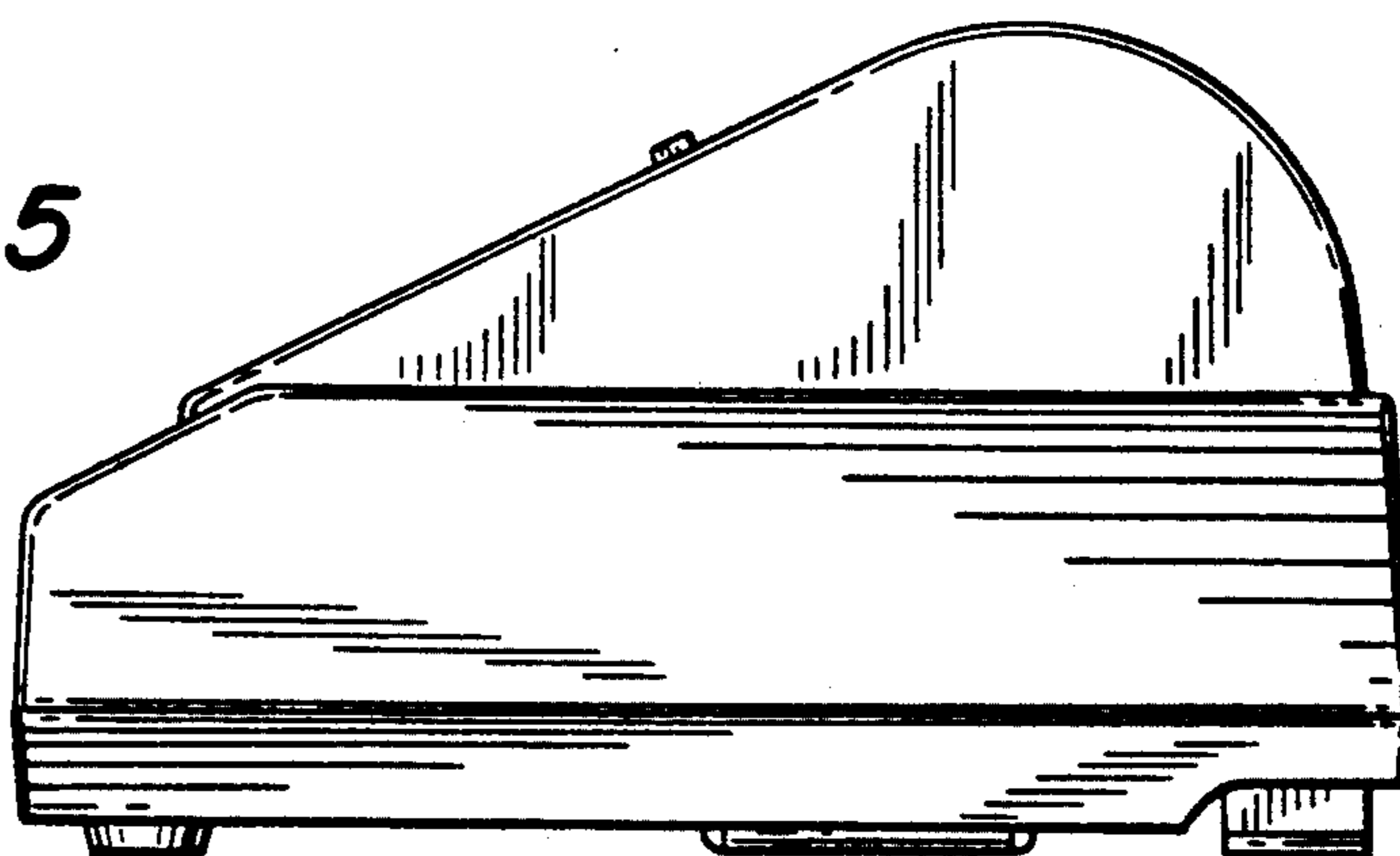


FIG. 6

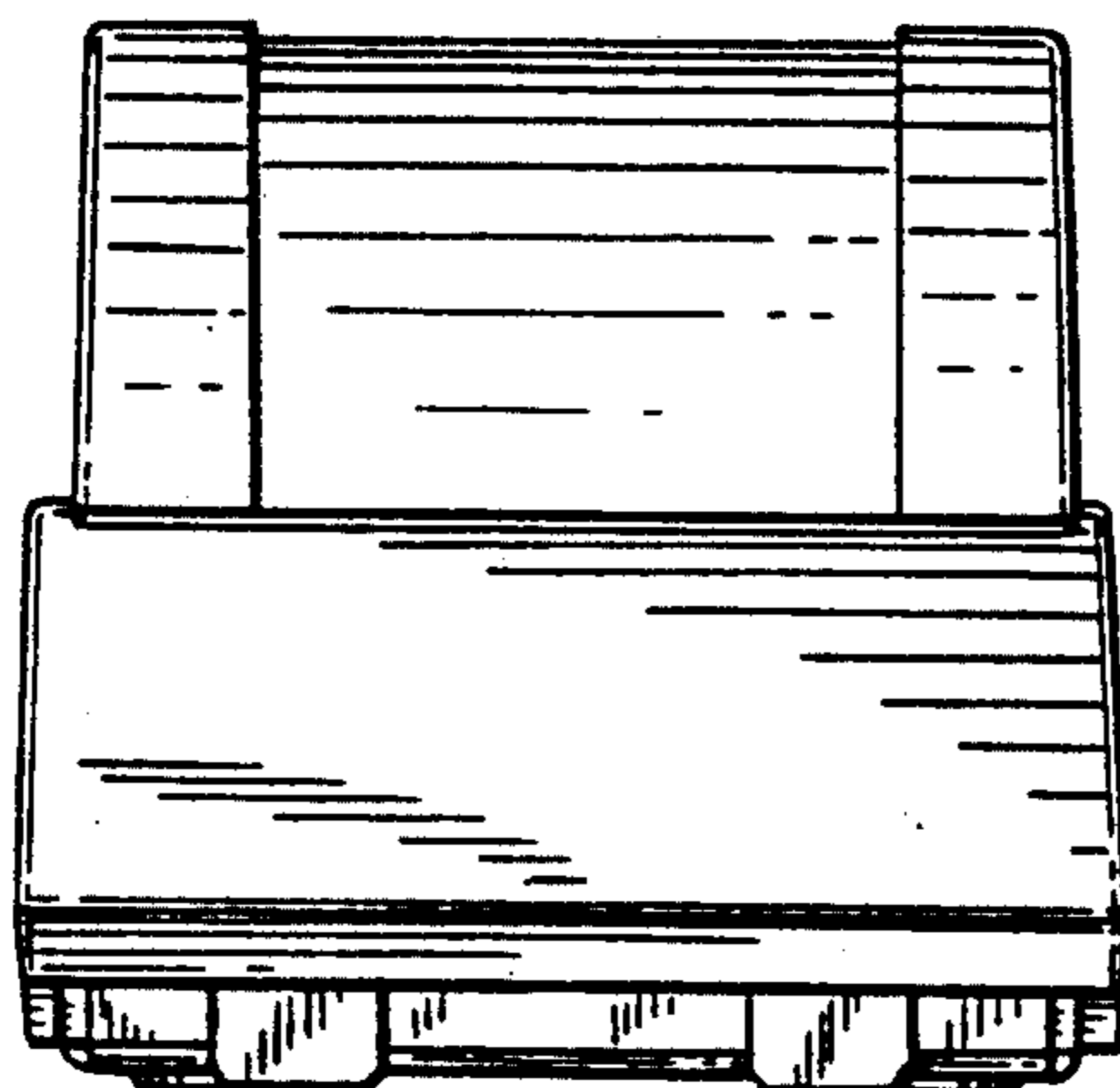


FIG. 7

