



US00D333310S

United States Patent [19]

[11] Patent Number: **Des. 333,310**

Off et al.

[45] Date of Patent: **** Feb. 16, 1993**

[54] **COMBINED ARM AND HOLDER USED IN APPAREL MANUFACTURE TO TRANSFER FABRIC ITEMS BETWEEN WORK STATIONS**

4,694,766	9/1987	Wickers et al.	112/121.15
4,708,073	11/1987	Kellogg et al.	112/121.15
4,784,381	11/1988	Prochut et al.	112/121.15
4,830,174	5/1989	Davidsson	211/45
4,949,945	8/1990	Whiteley	269/57

[75] Inventors: **Joseph W. A. Off; Mahala G. Langford**, both of Raleigh, both of N.C.

FOREIGN PATENT DOCUMENTS

0757245 9/1956 United Kingdom 211/95

[73] Assignee: **Textile/Clothing Technology Corporation**, Raleigh, N.C.

Primary Examiner—Theodore M. Shooman
Assistant Examiner—Sandra Morris
Attorney, Agent, or Firm—Bell, Seltzer, Park & Gibson

[**] Term: **14 Years**

[57] CLAIM

[21] Appl. No.: **607,482**

The ornamental design for a combined arm and holder used in apparel manufacture to transfer fabric items between work stations, as shown and described.

[22] Filed: **Nov. 1, 1990**

DESCRIPTION

[52] U.S. Cl. **D15/78**

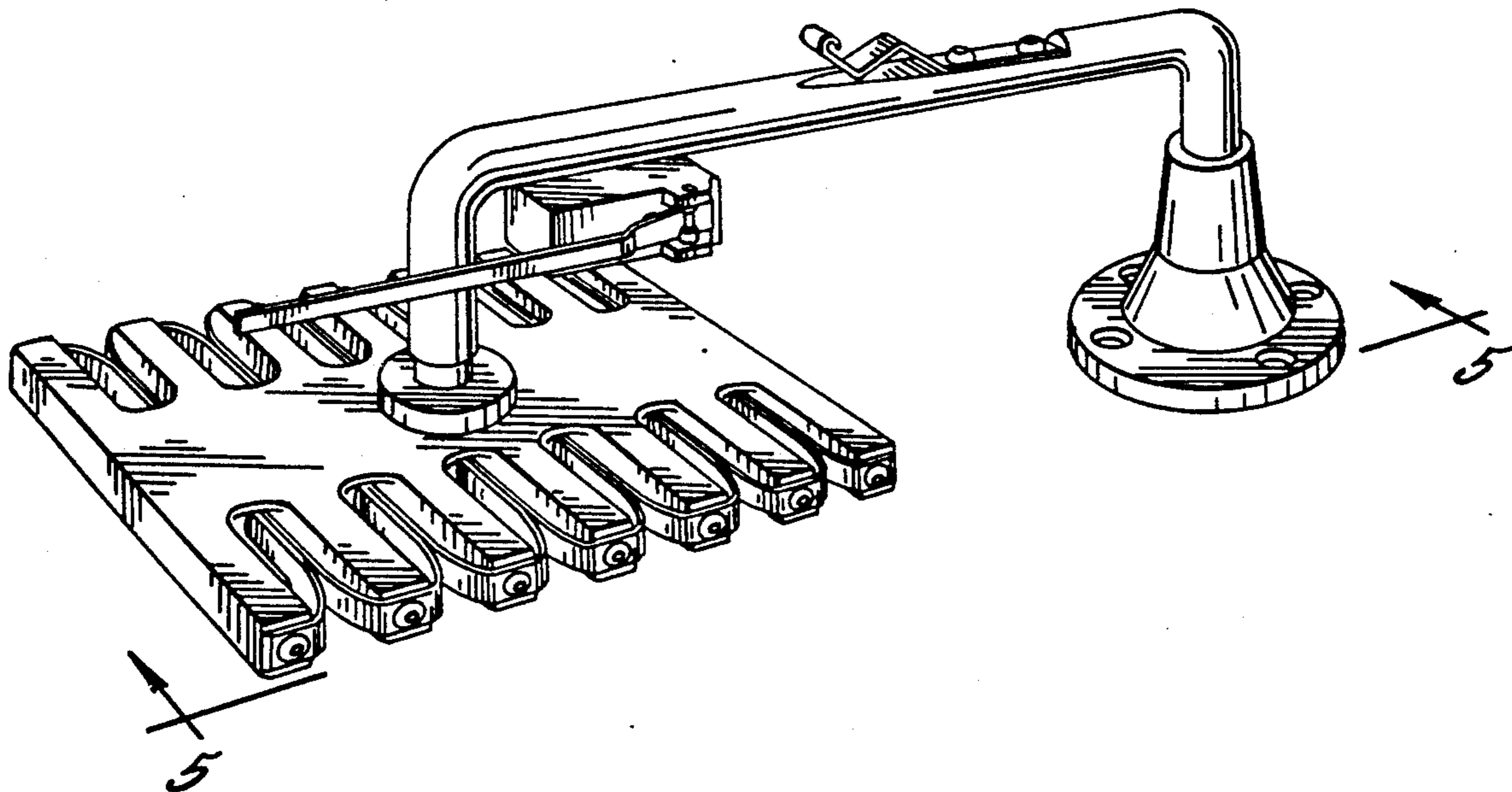
[58] Field of Search **D15/66-78;**
112/121.15; 211/39.45, 69.8, 70, 89, 95; 269/46,
56, 57

FIG. 1 is a top perspective view of a device used in apparel manufacture to transfer fabric items between work stations, showing our new design; FIG. 2 is a front elevational view thereof; FIG. 3 is a rear elevational view thereof; FIG. 4 is a top plan view thereof; FIG. 5 is a right side elevational view thereof, taken in the direction of arrows 5—5 in FIG. 1; and, FIG. 6 is a left side elevational view thereof.

[56] References Cited

U.S. PATENT DOCUMENTS

2,530,016	11/1950	Landis et al.	269/46
3,297,168	1/1967	Fleming	211/89
3,472,389	10/1969	Lowe	211/70
3,627,250	12/1971	Pegrum	269/46
4,693,460	9/1987	Adamson et al.	112/121.15



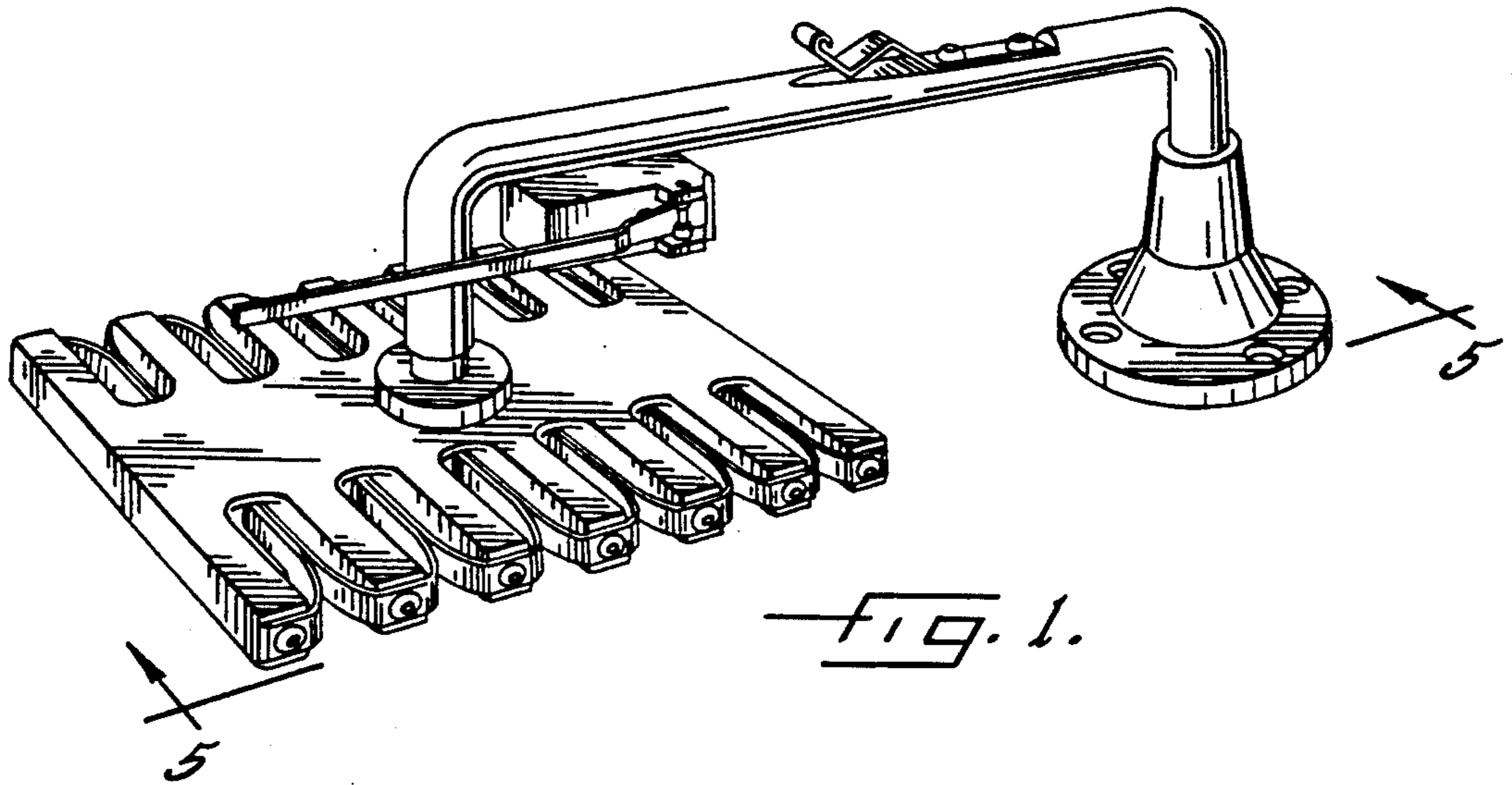


FIG. 1.

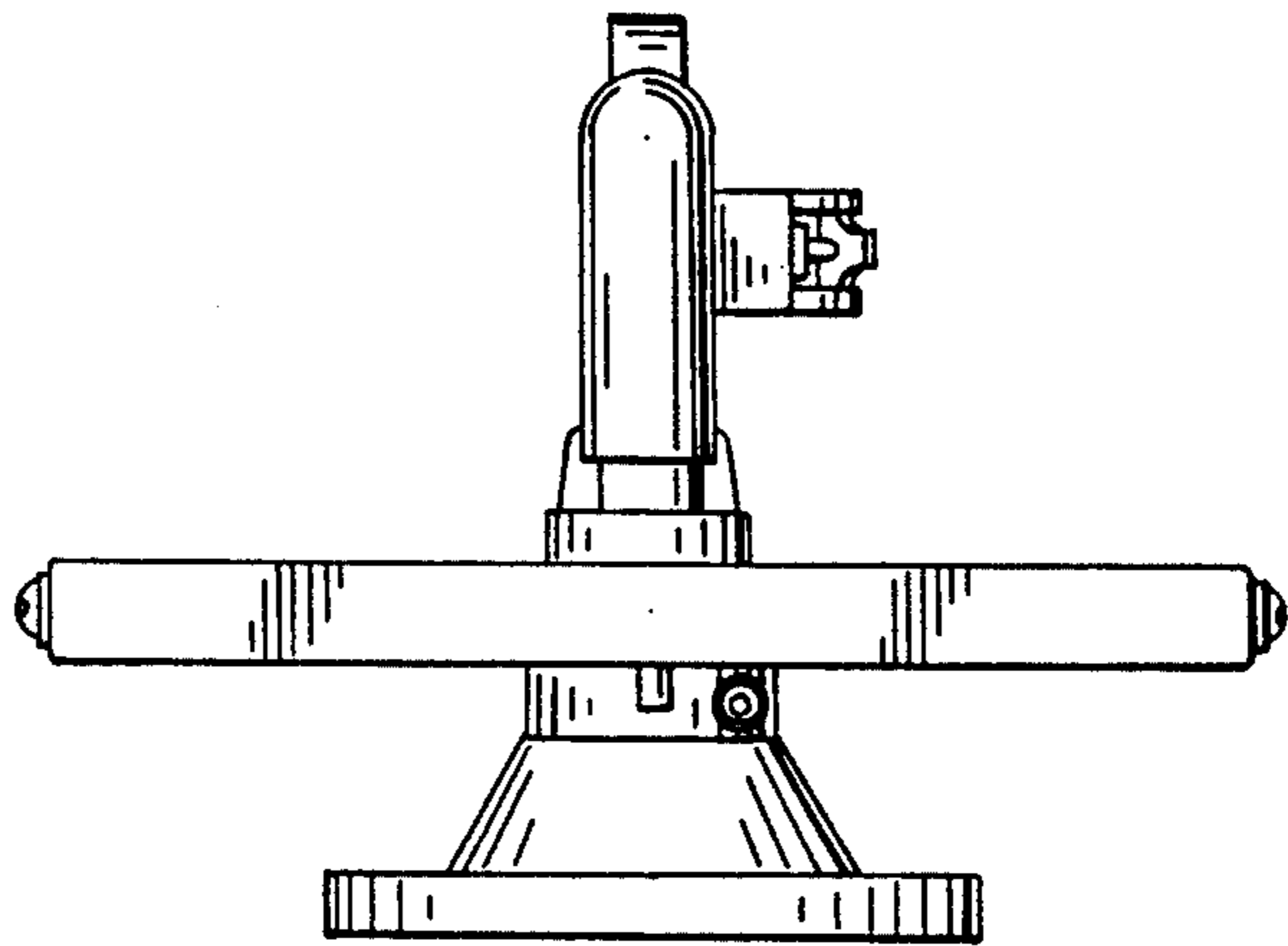


FIG. 2.

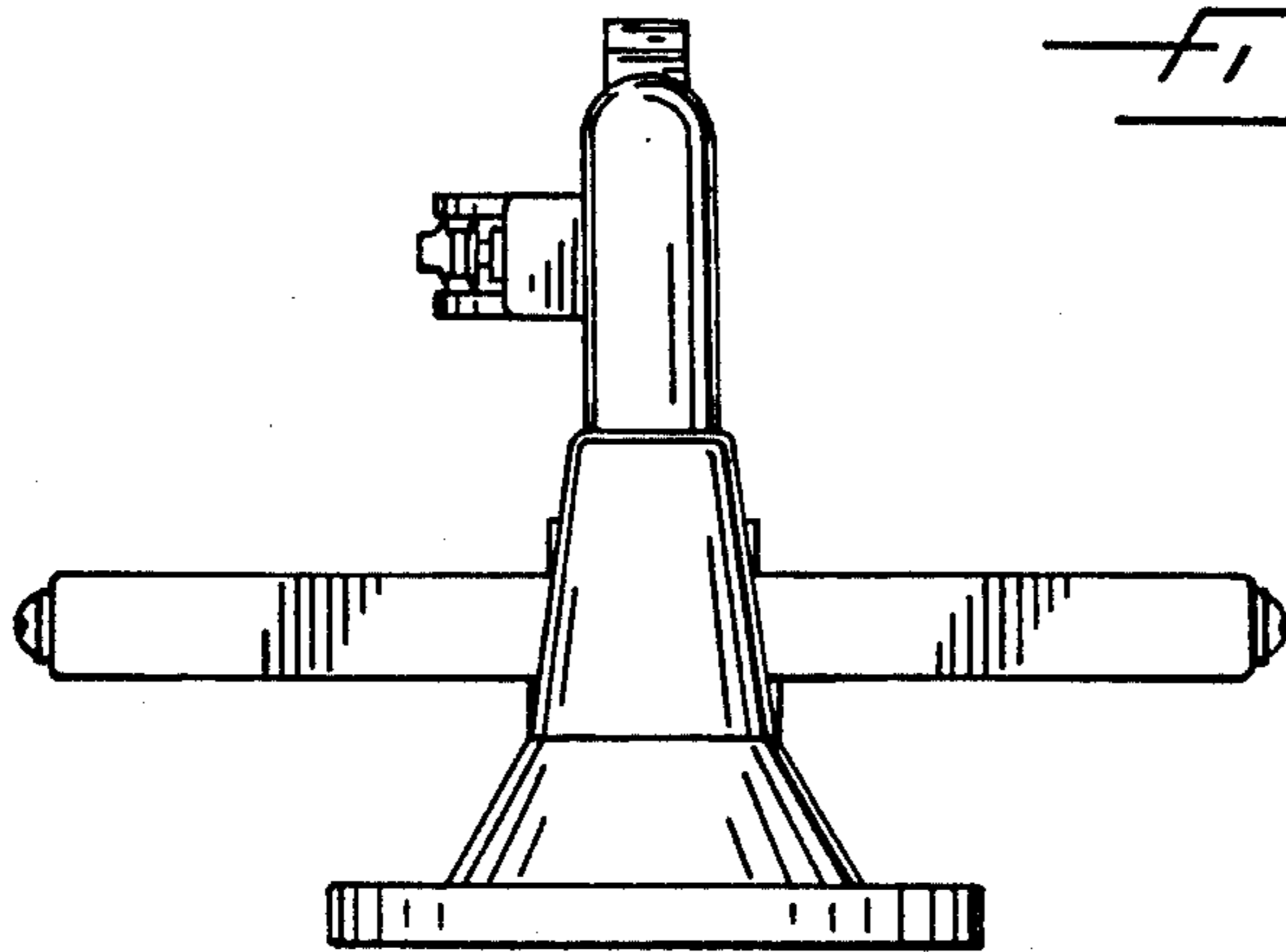


FIG. 3.

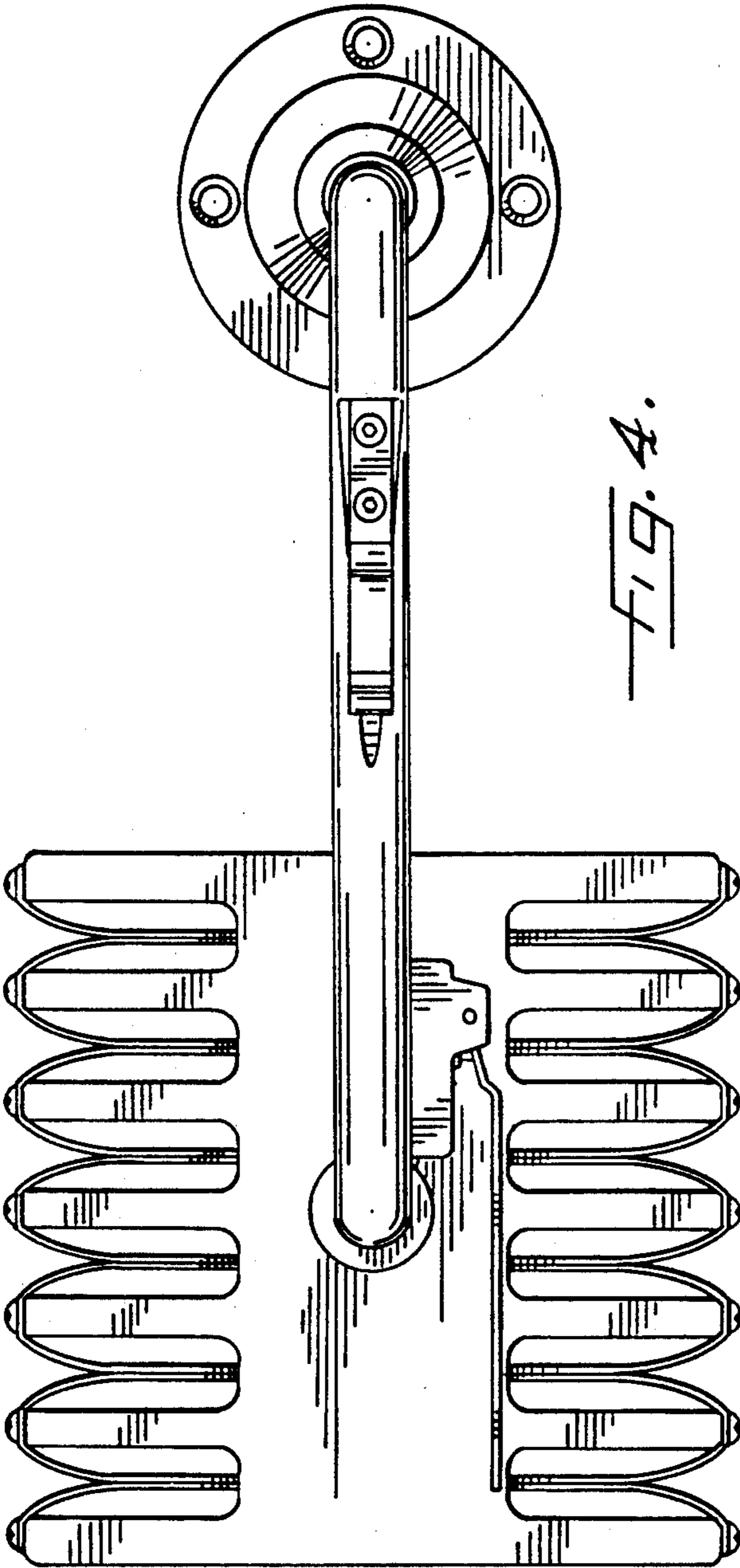


FIG. 4.

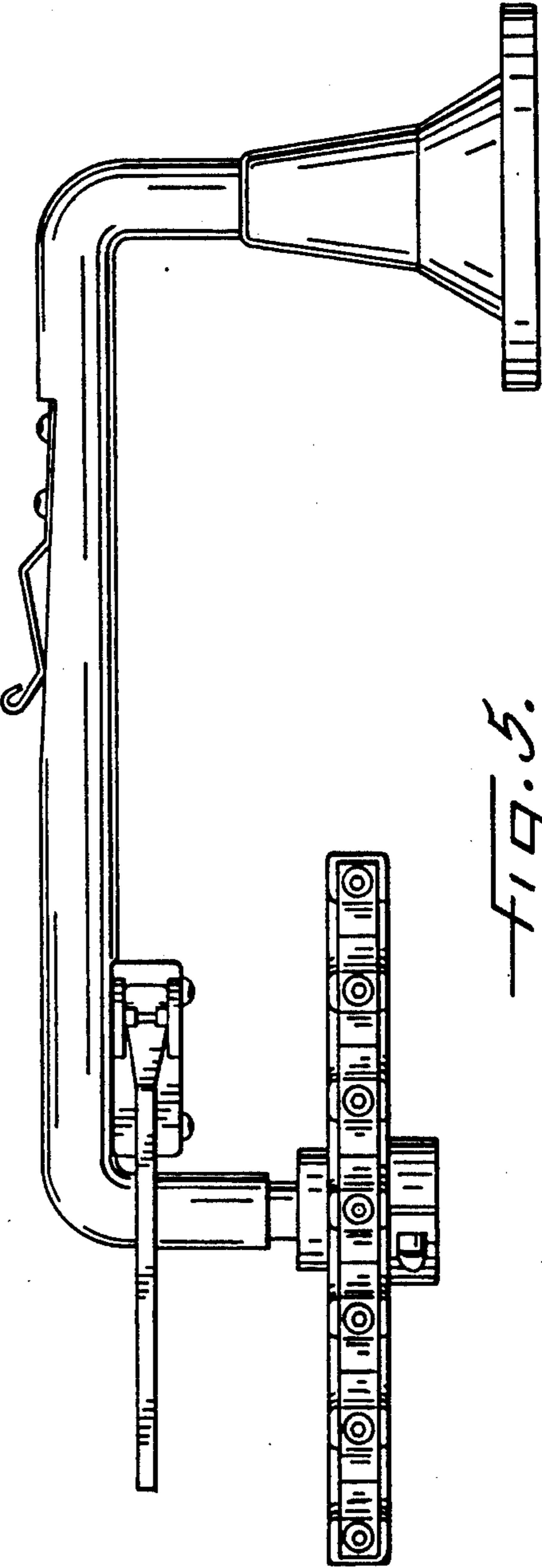


FIG. 5.

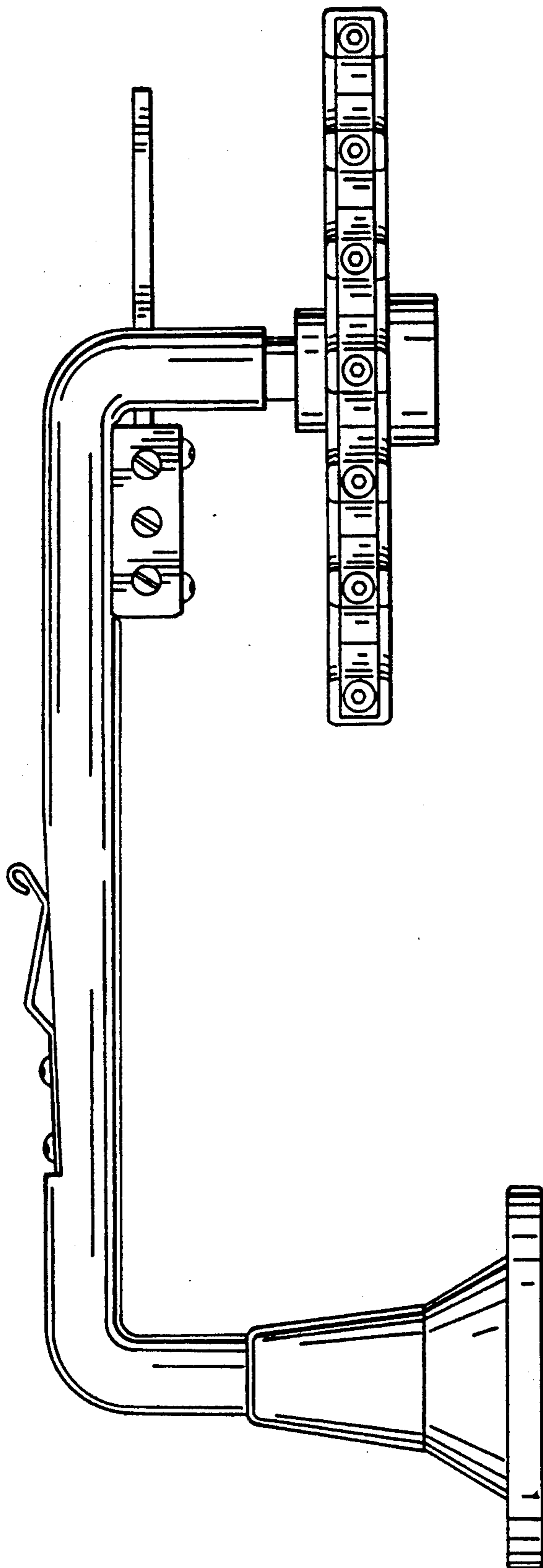


FIG. 6.