



US00D333309S

United States Patent [19]

[11] Patent Number: **Des. 333,309**

Hess et al.

[45] Date of Patent: **** Feb. 16, 1993**

[54] **LAWN MOWER WITH BAG**

[75] Inventors: **Kristoffer A. Hess**, Brockville; **Michael G. Sirois**, Ottawa; **Ronald G. Hare**; **Ronald A. Jackson**, both of Brockville, all of Canada; **Martin P. Gierke**, Baltimore, Md.

[73] Assignee: **Black & Decker, Inc.**, Newark, Del.

[*] Notice: The portion of the term of this patent subsequent to Oct. 13, 2006 has been disclaimed.

[**] Term: **14 Years**

[21] Appl. No.: **533,049**

[22] Filed: **Jun. 1, 1990**

[52] U.S. Cl. **D15/14**

[58] Field of Search **D15/14-17;**
56/13.4, 16.7, 17.5, 202, 255, 294, 295, 320.1,
320.2

[56] **References Cited**

U.S. PATENT DOCUMENTS

- D. 309,310 7/1990 Fushiya et al. D15/14
- 4,051,648 10/1977 Uhlinger et al. 56/17.5
- 4,194,345 3/1980 Pioch et al. 56/17.5

OTHER PUBLICATIONS

Popular Mechanics, Mar. 1977 p. 118 AMF Mower, bottom.

Primary Examiner—Bernard Ansher

Assistant Examiner—Sandra Morris
Attorney, Agent, or Firm—Charles E. Yocum; Dennis A. Dearing; Edward D. C. Bartlett

[57] **CLAIM**

The ornamental design for a lawn mower with bag, as shown and described.

DESCRIPTION

FIG. 1 is a right, front perspective view of a lawn mower with bag, showing our new design; FIG. 2 is a left, front perspective view thereof; FIG. 3 is a right, rear perspective view thereof; FIG. 4 is a left, rear perspective view thereof; FIG. 5 is a top perspective view thereof; FIG. 6 is a bottom perspective view thereof, the broken line showing of the mower blade is for illustrative purposes only, and forms no part of the claimed design, the bottom plan views of the other embodiments of the design are substantially the same as shown in FIG. 6; FIG. 7 is a right, front perspective view of a second embodiment of the design in FIG. 1; FIG. 8 is a left, front perspective view of FIG. 7; FIG. 9 is a right, rear perspective view of FIG. 7; FIG. 10 is a left, rear perspective view of FIG. 7; FIG. 11 is a top perspective view of FIG. 7; FIG. 12 is a right, front perspective view of a third embodiment of the design in FIG. 1; FIG. 13 is a left, front perspective view of FIG. 12; FIG. 14 is a right, rear perspective of FIG. 12; FIG. 15 is a left, rear perspective view of FIG. 12; and, FIG. 16 is a top perspective view of FIG. 12.

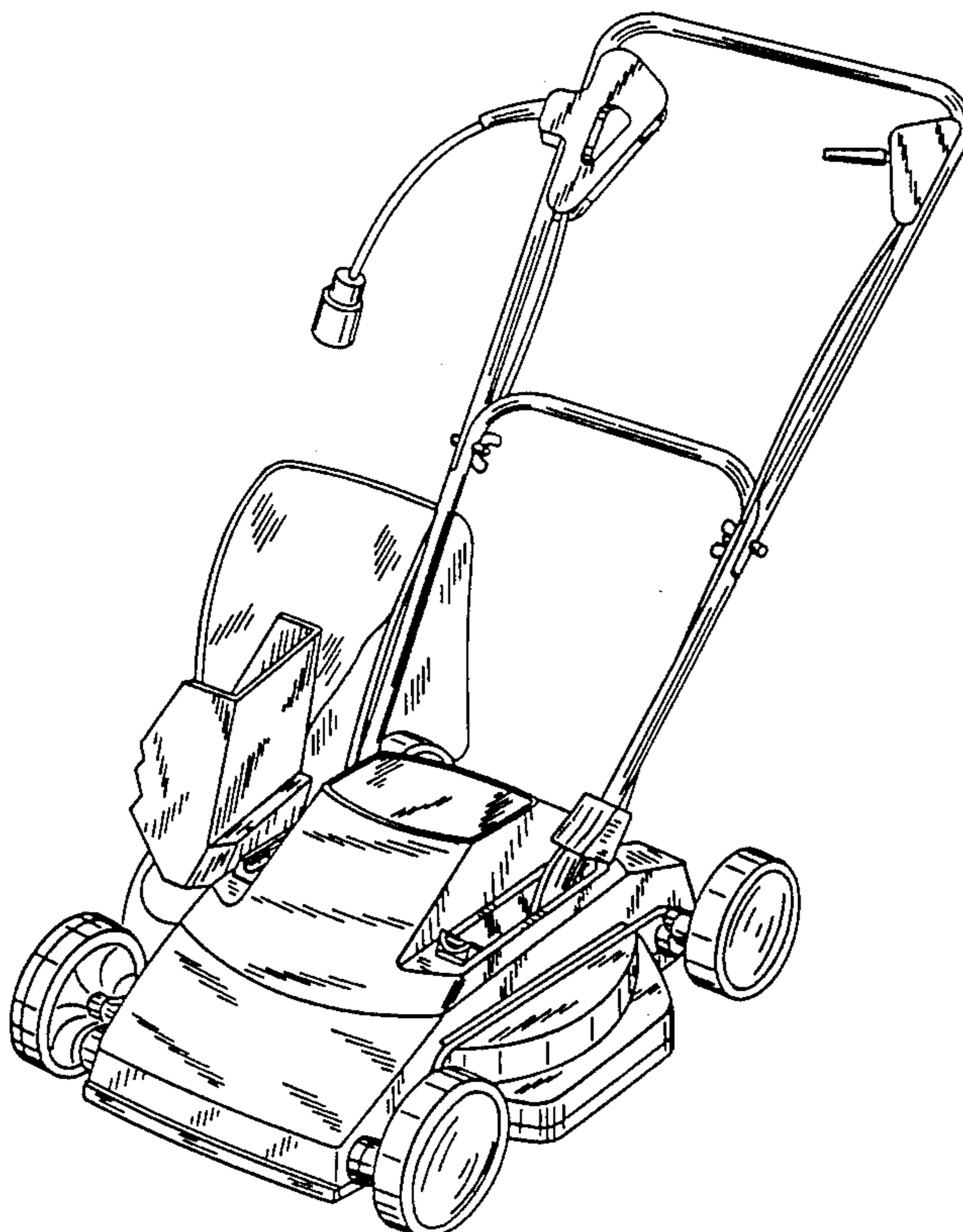
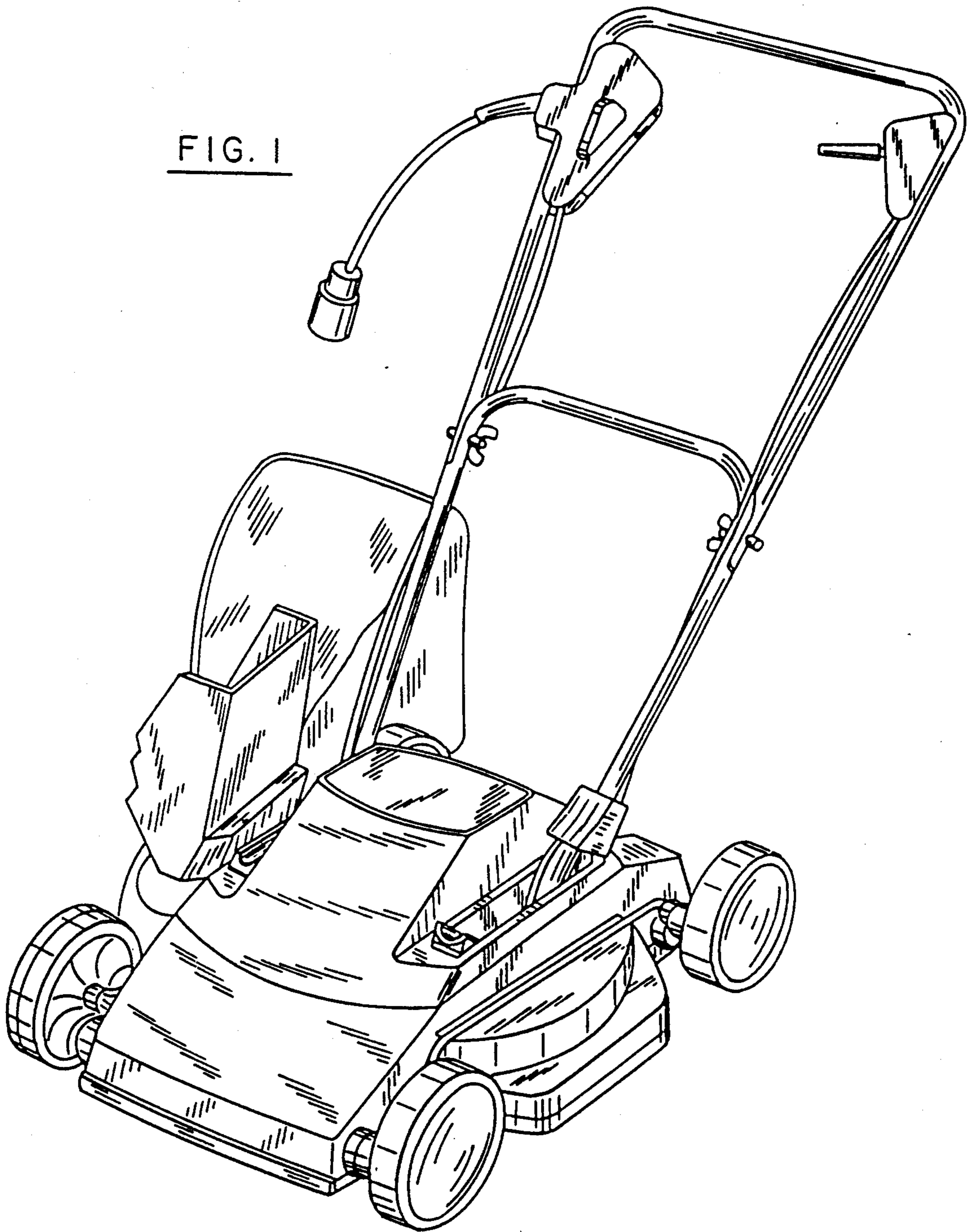


FIG. 1



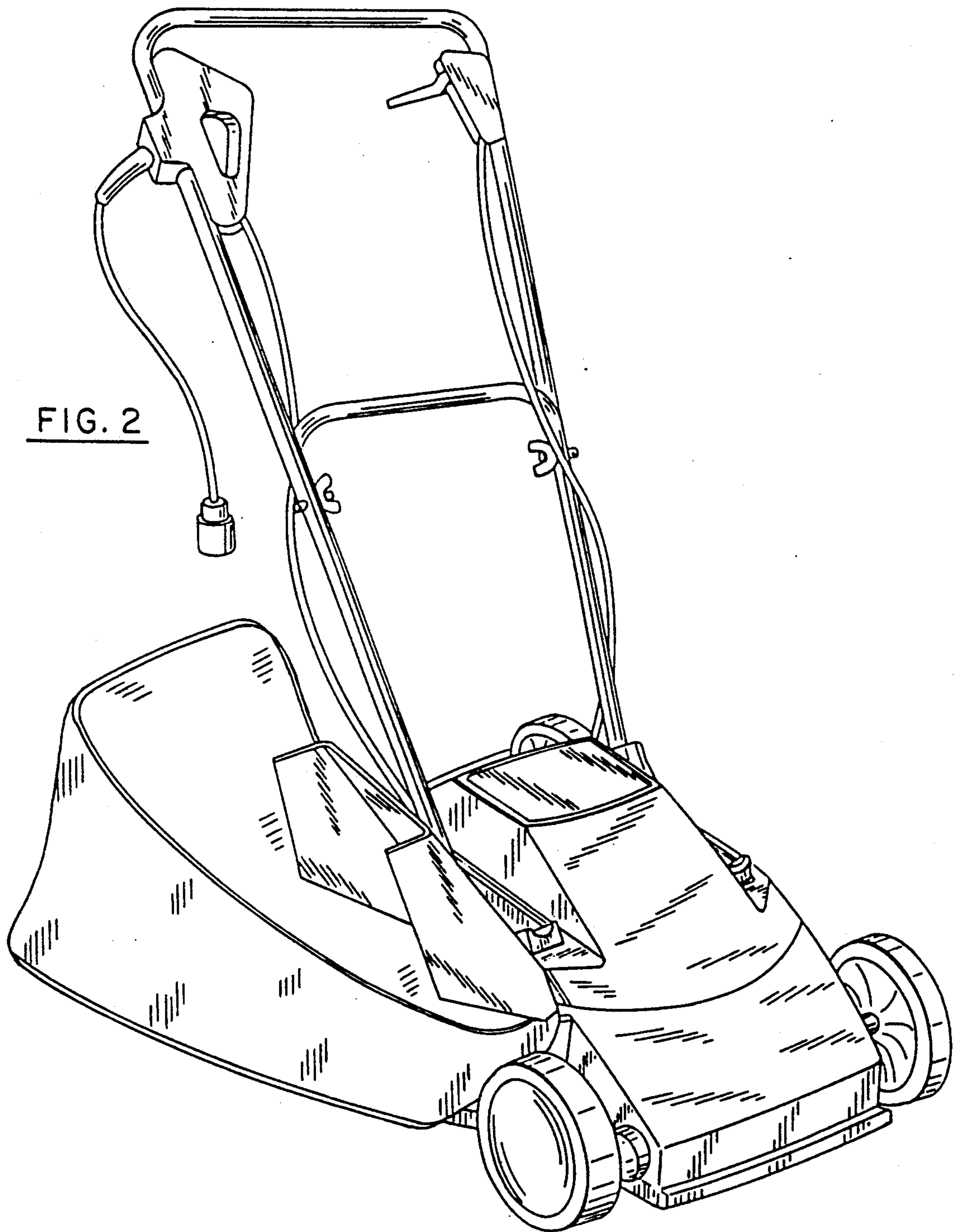
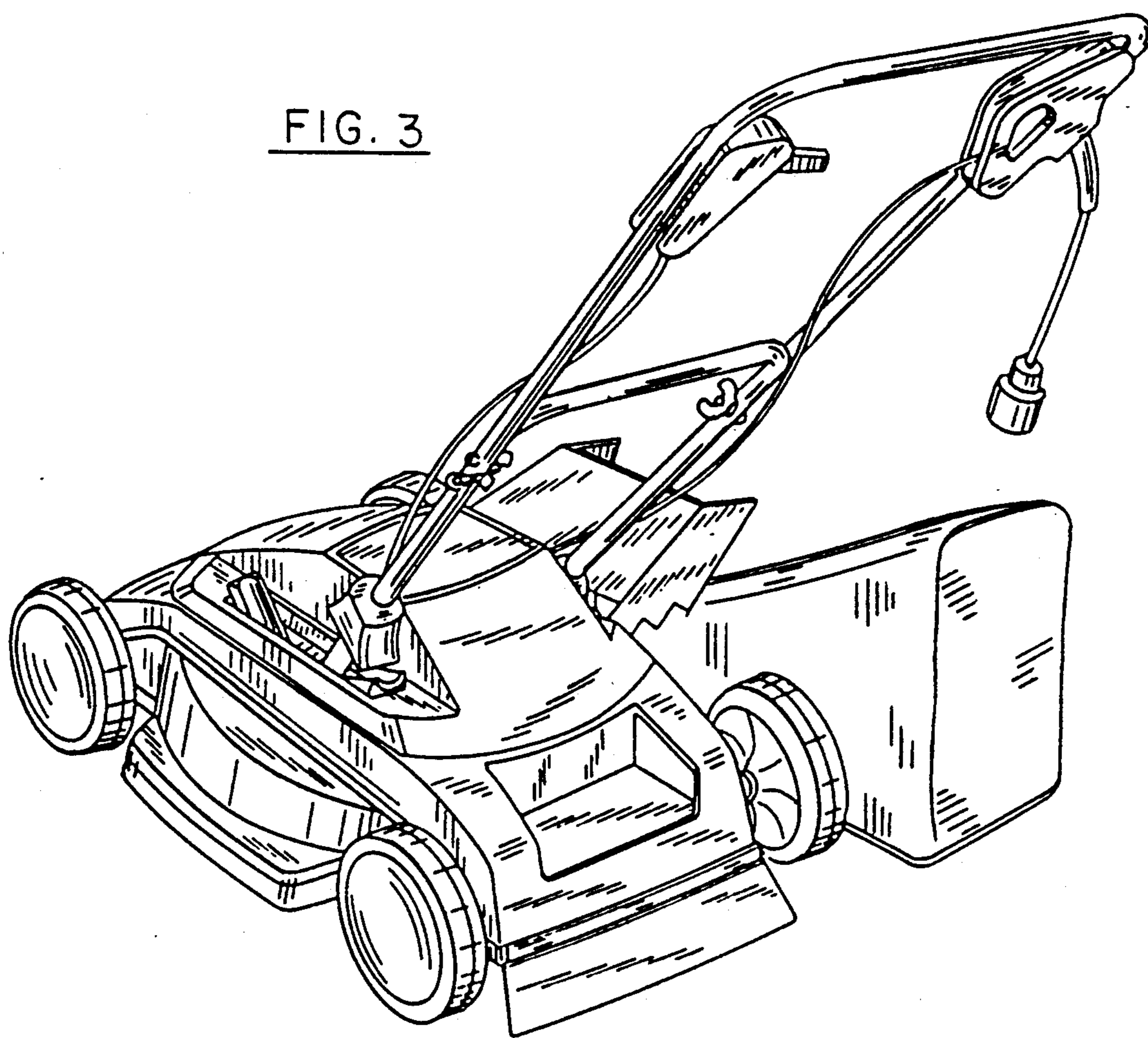


FIG. 3



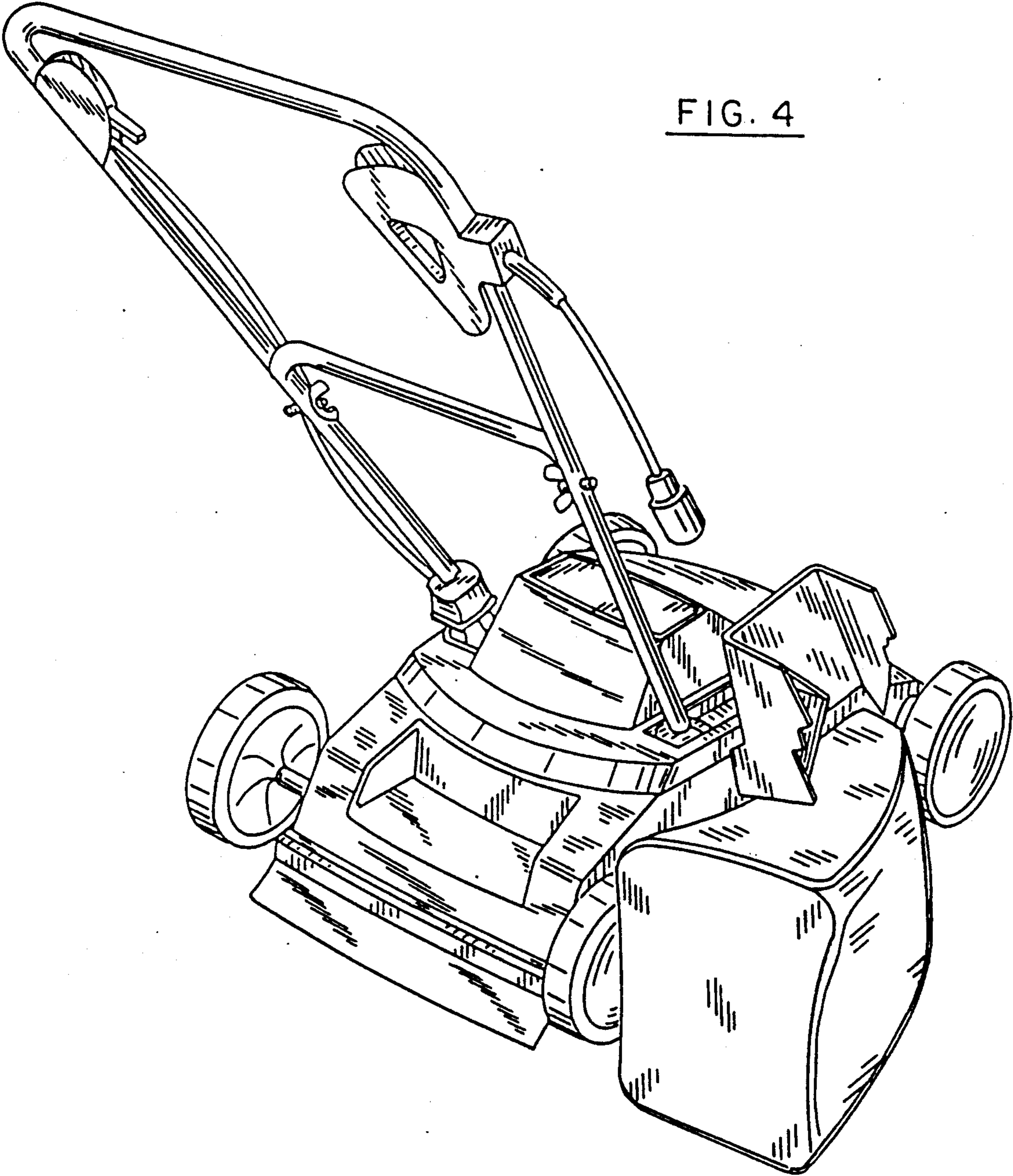


FIG. 4

FIG. 5

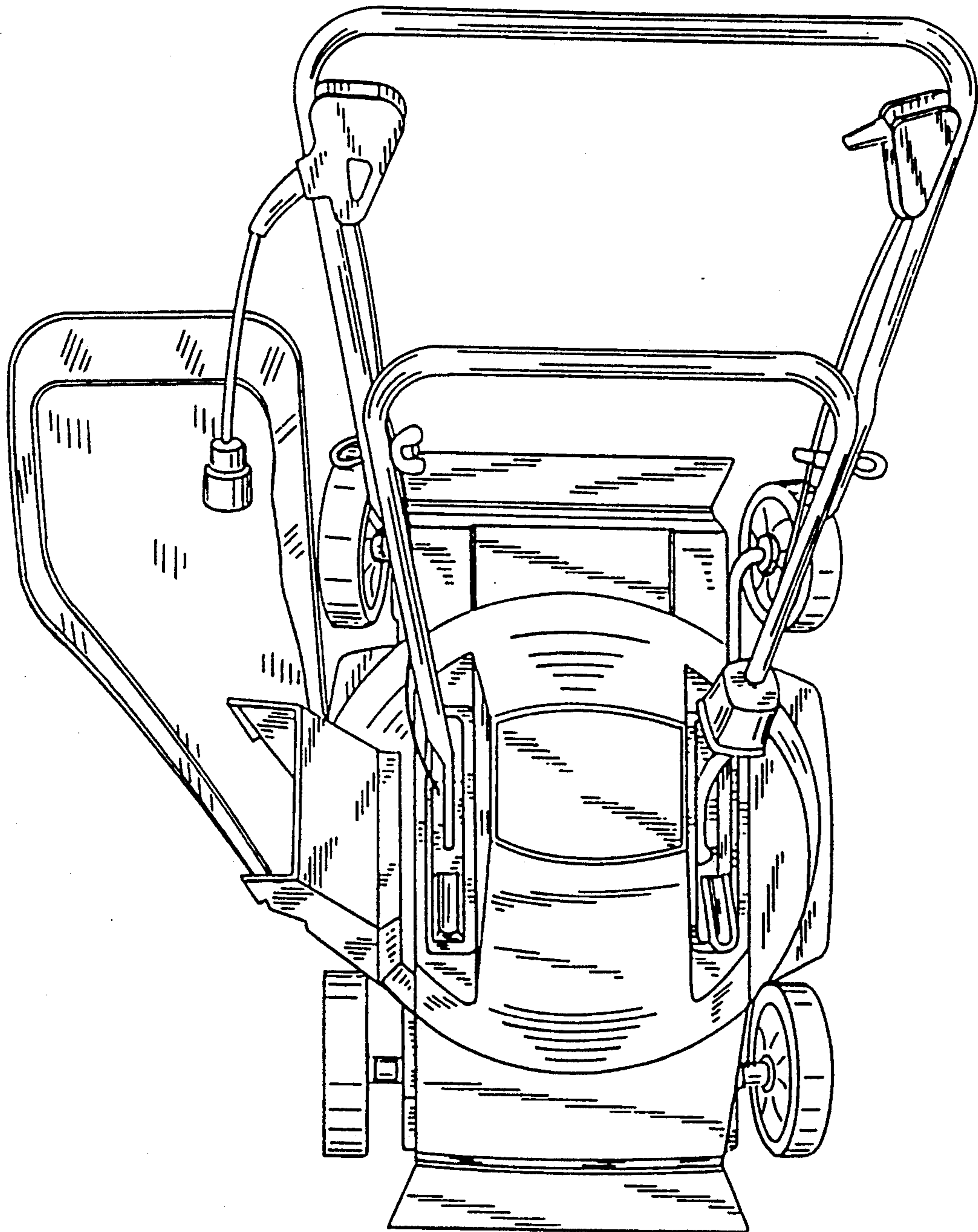
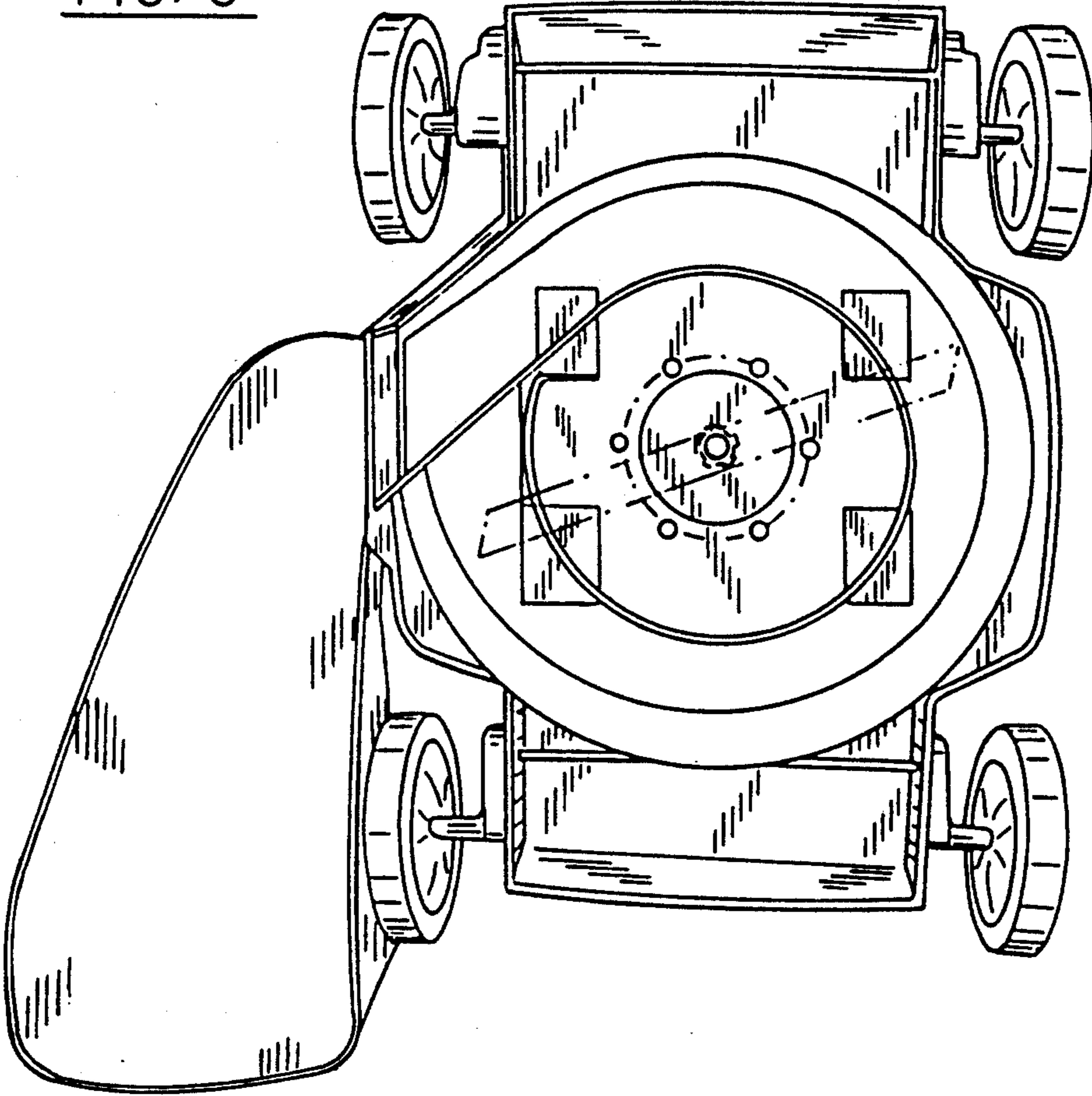


FIG. 6



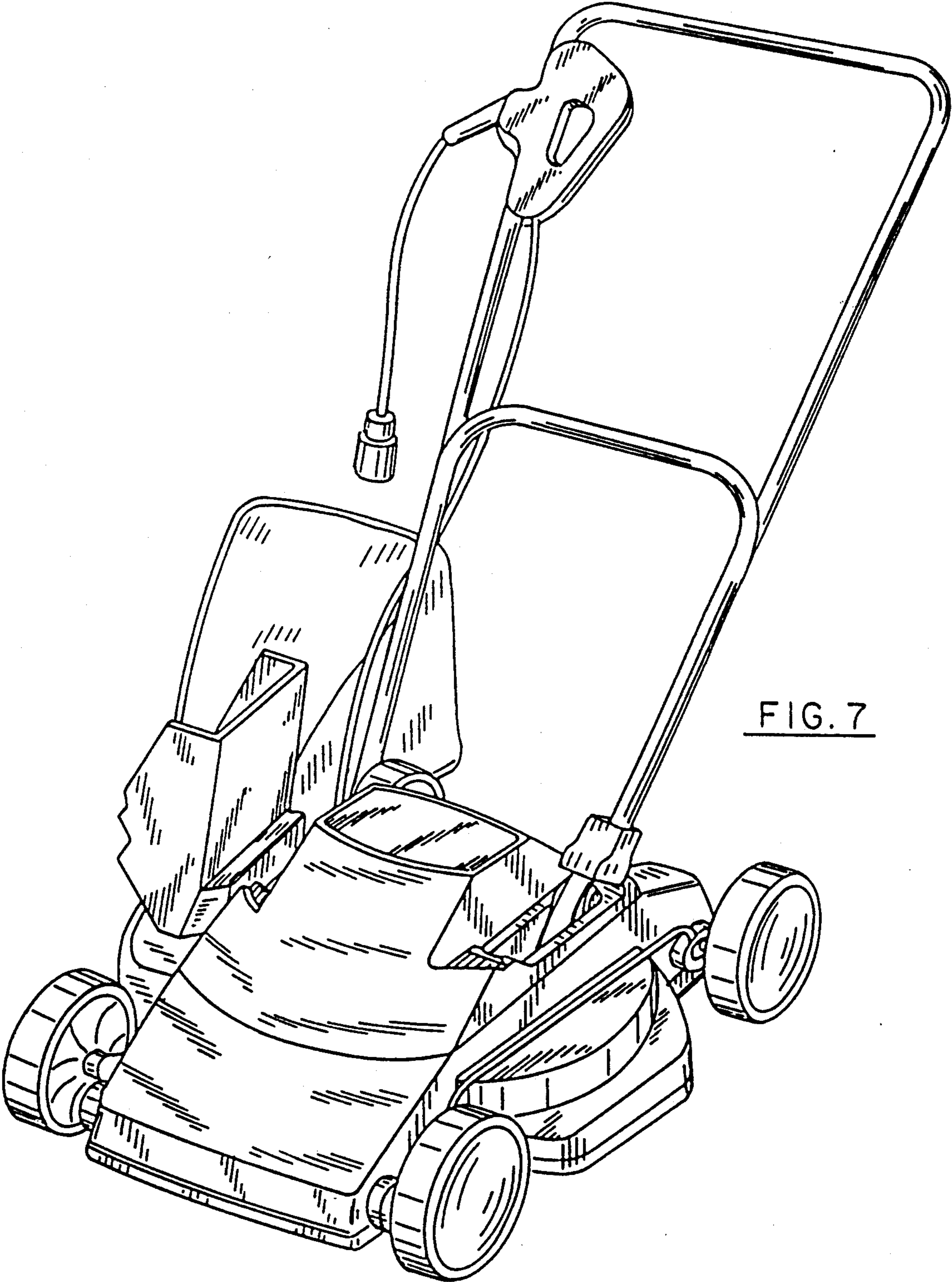


FIG. 7

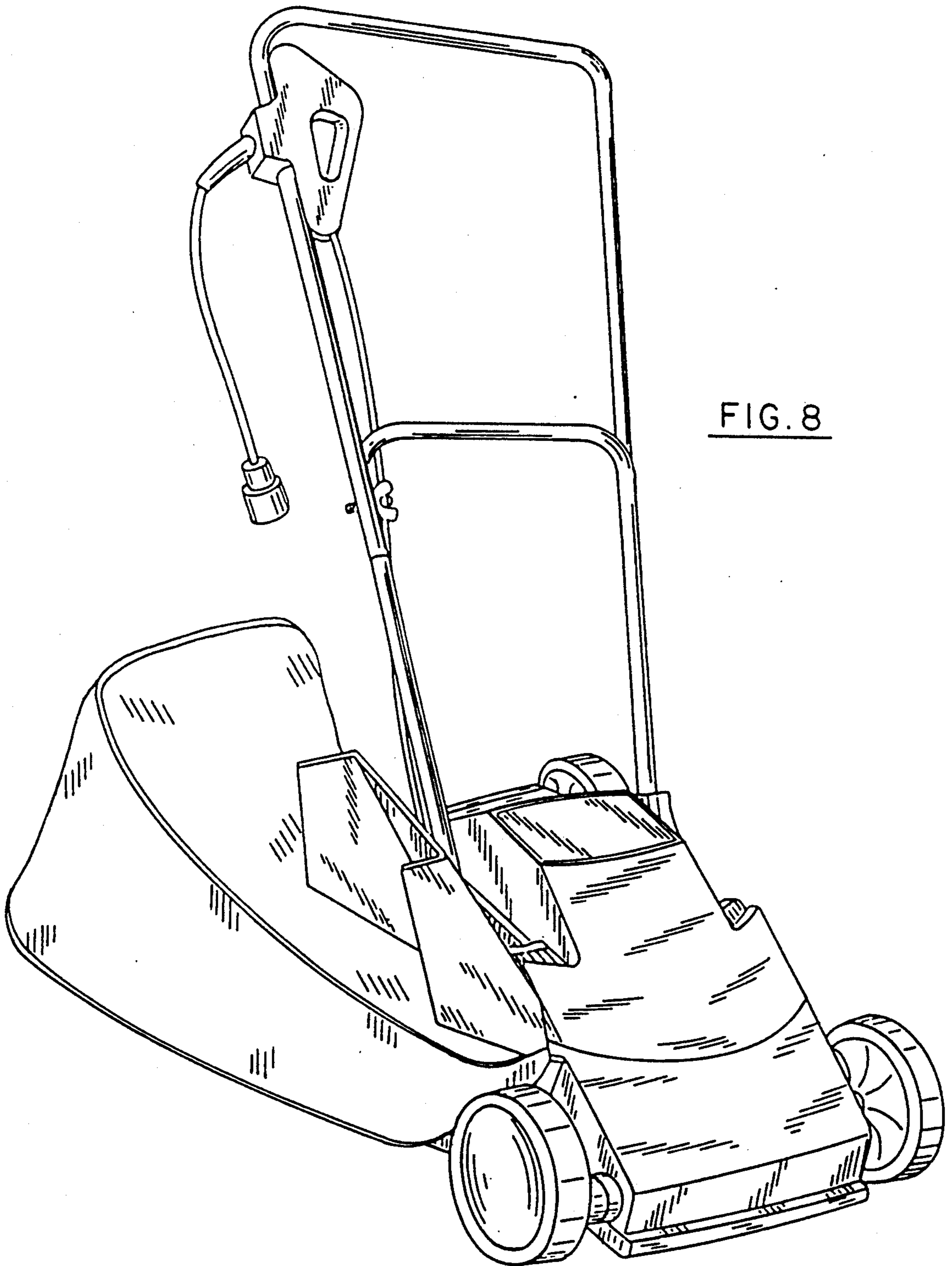
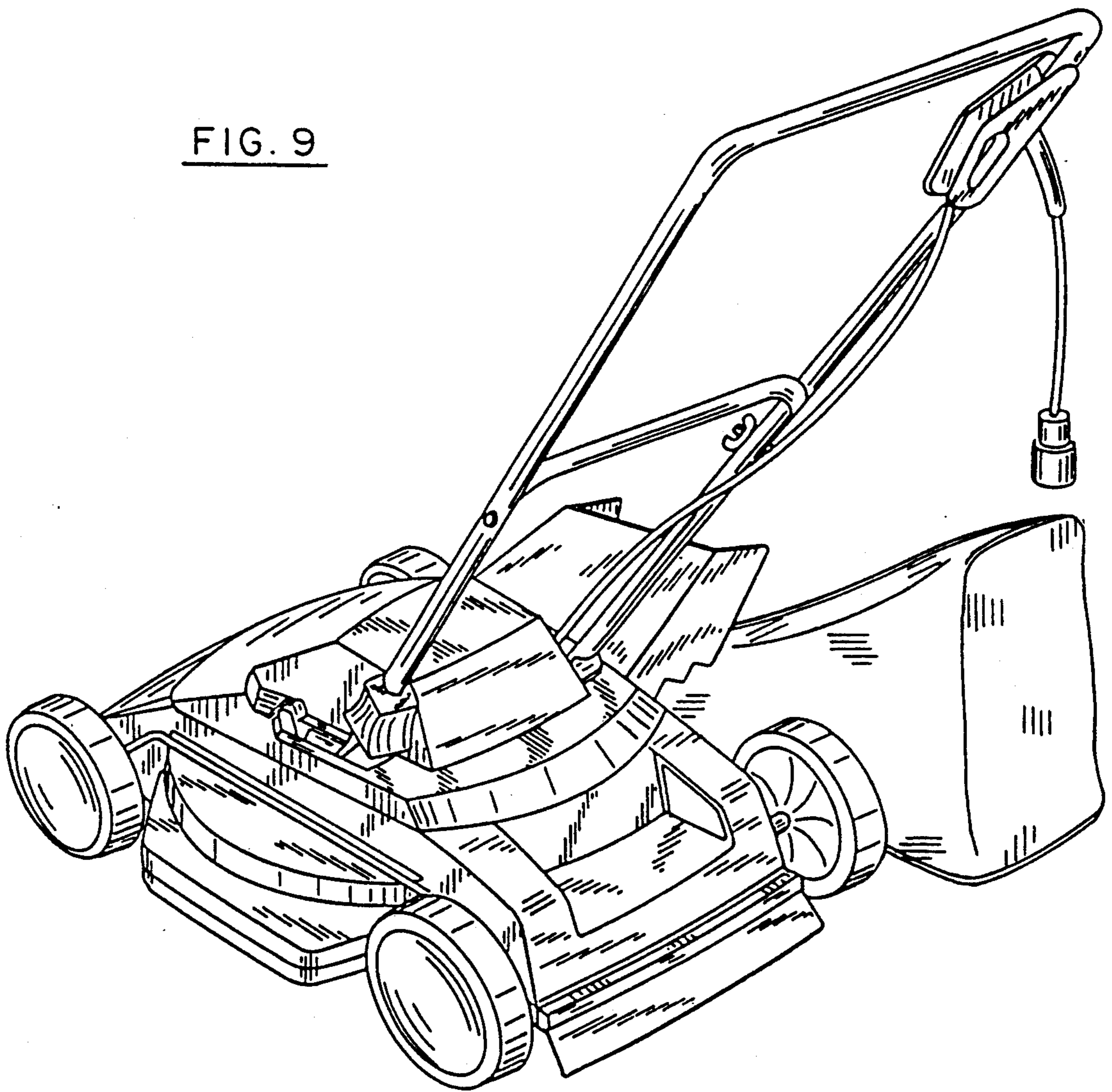


FIG. 8

FIG. 9



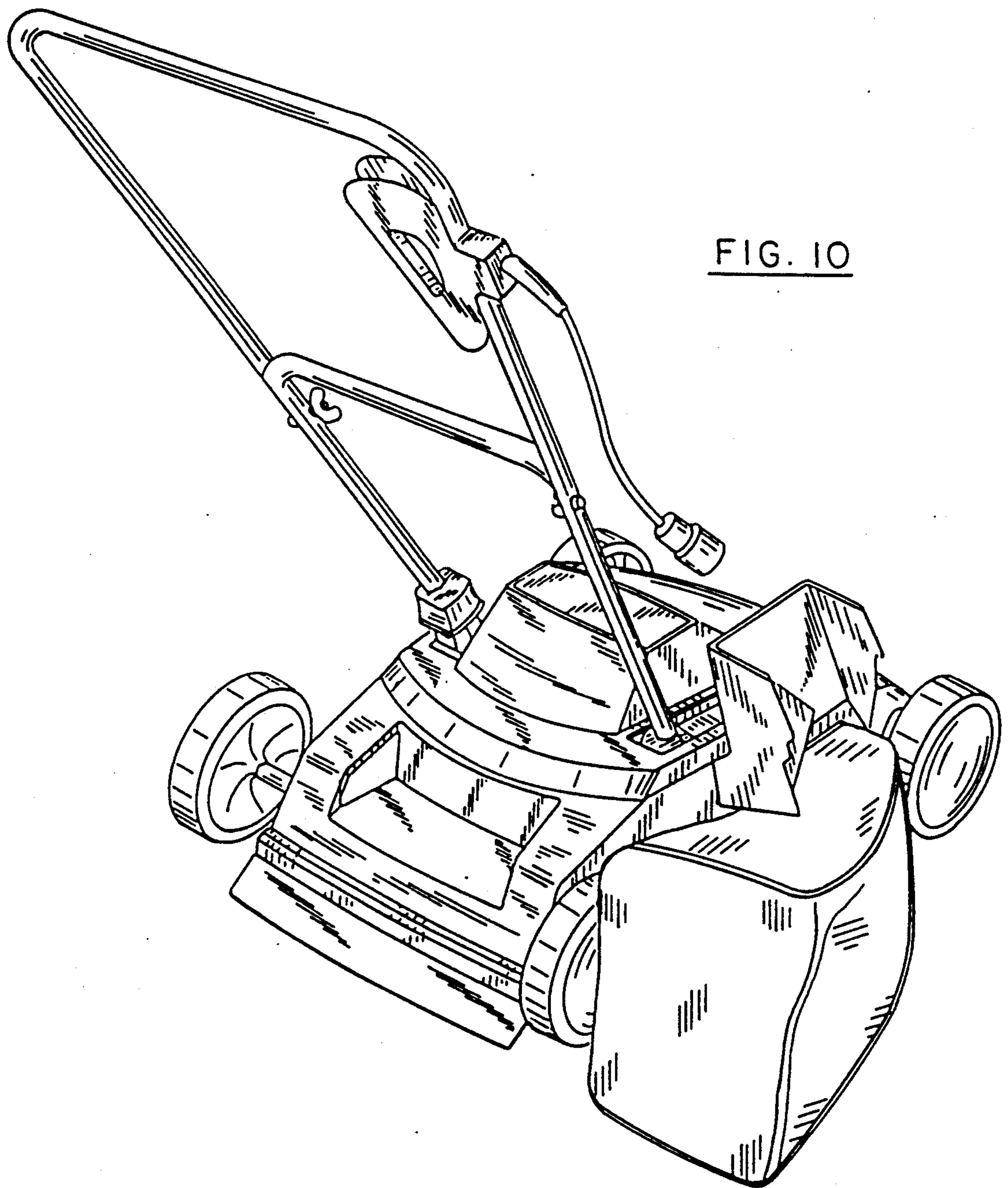


FIG. 10

FIG. 11

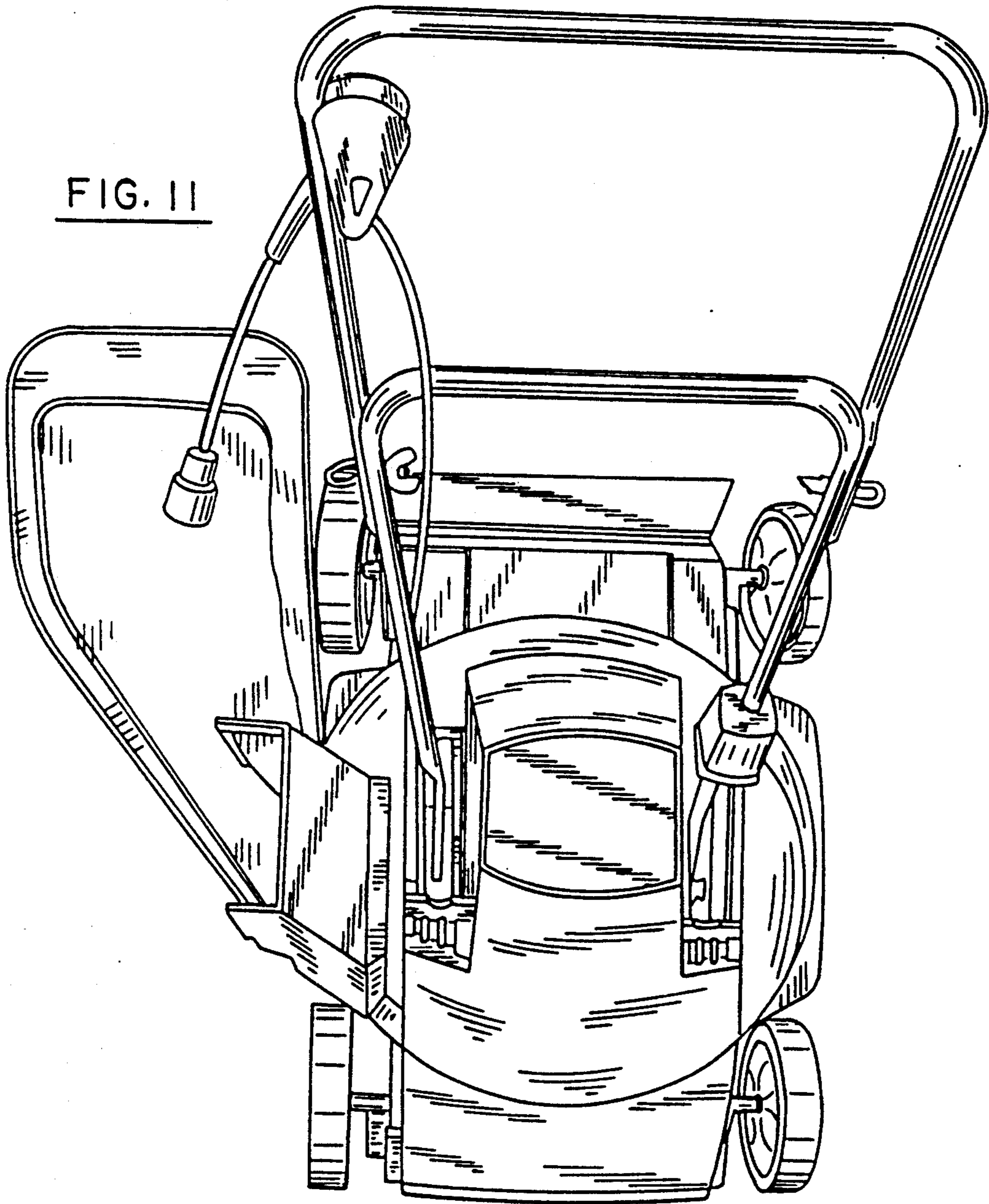
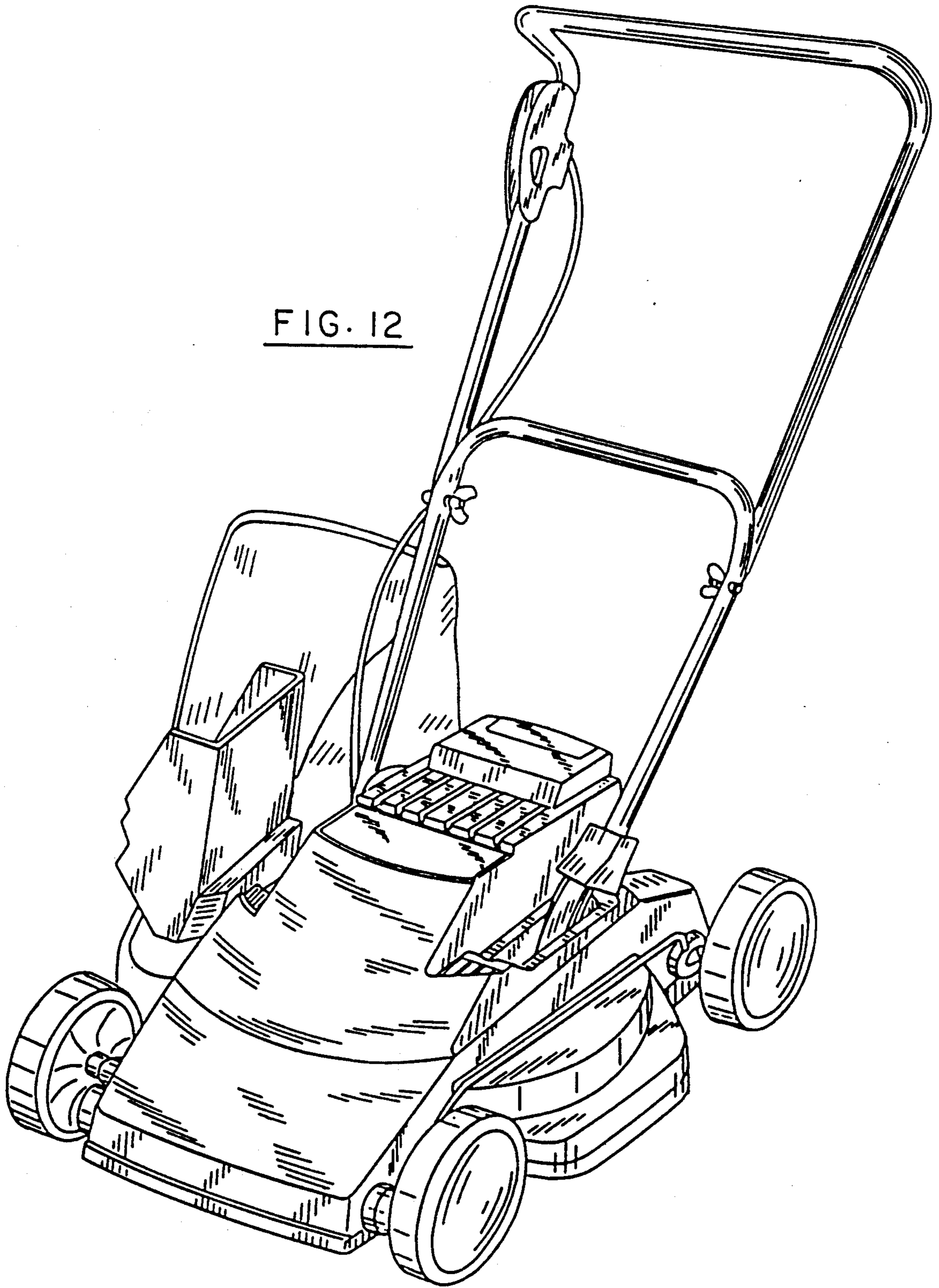


FIG. 12



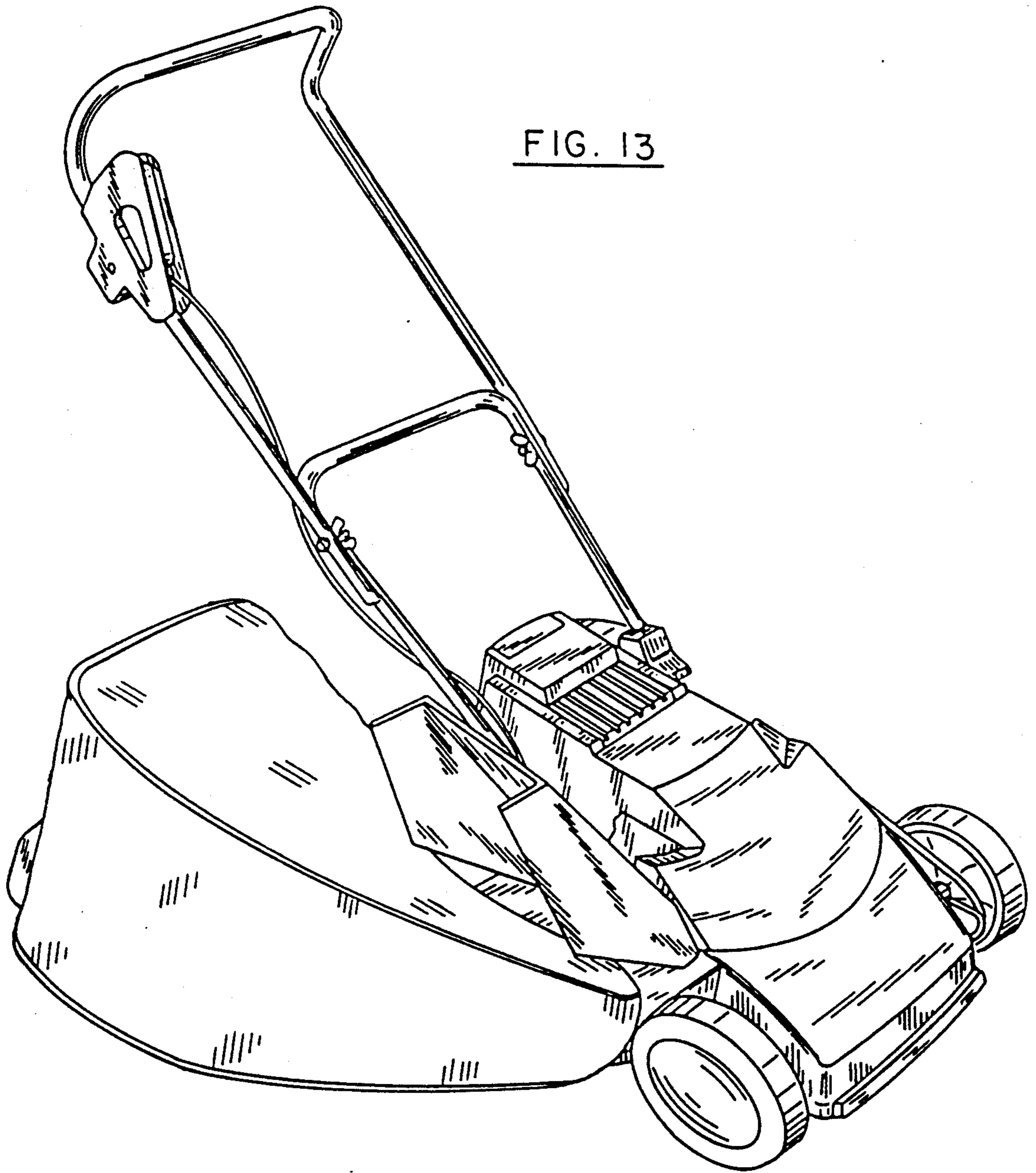
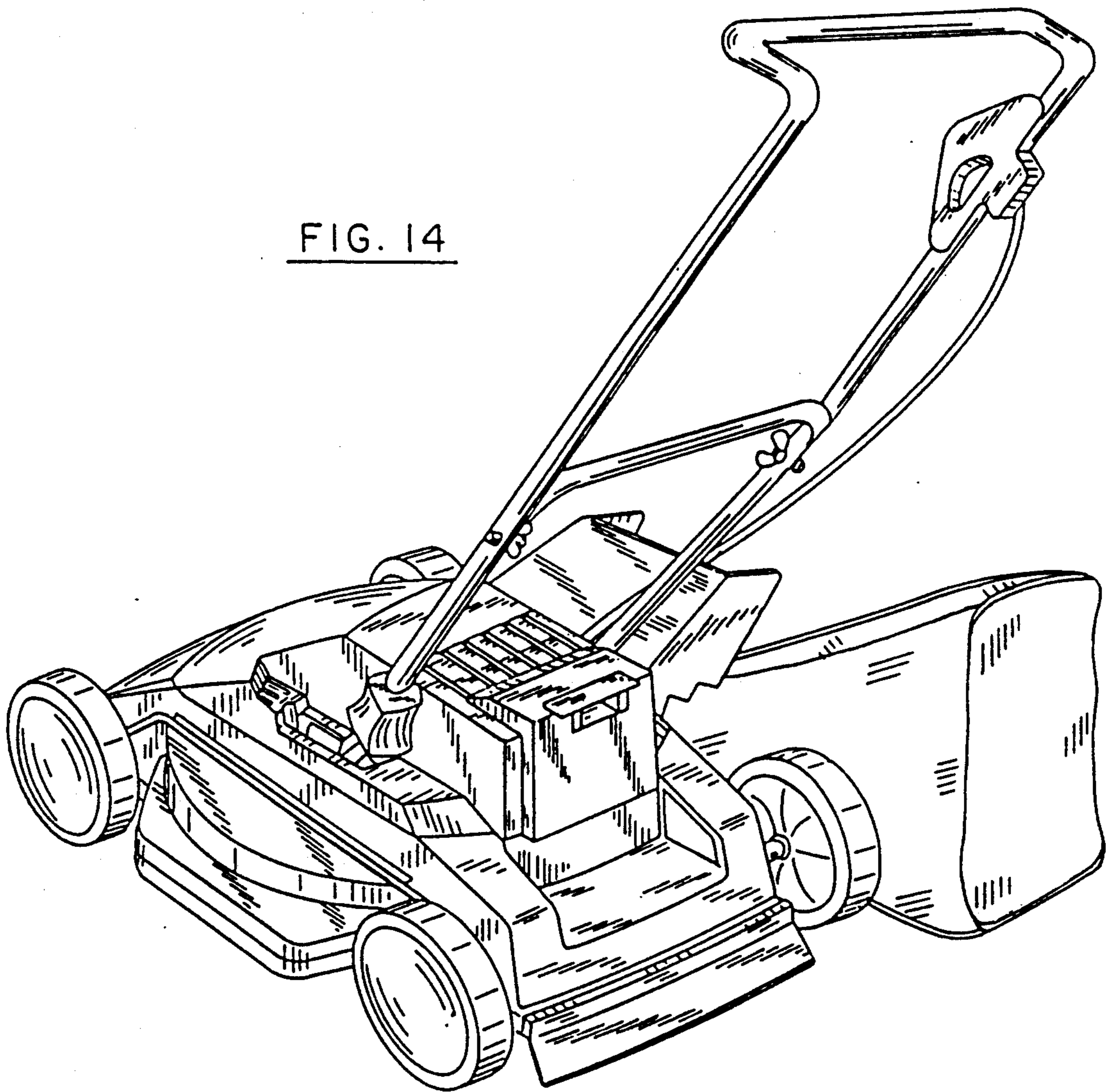


FIG. 13

FIG. 14



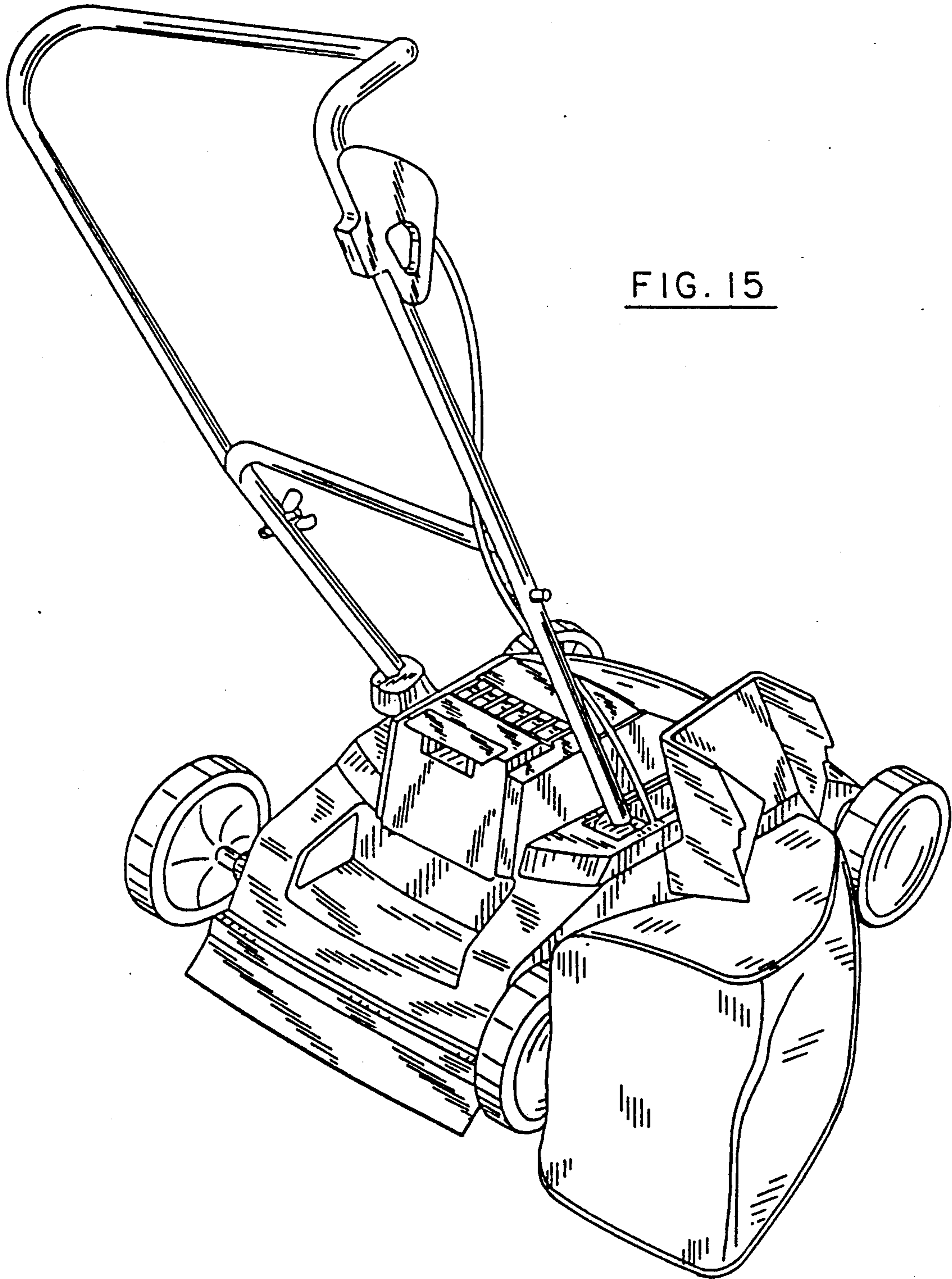


FIG. 15

FIG. 16

