



US00D333303S

United States Patent [19]

Tanaka et al.

[11] Patent Number: **Des. 333,303**

[45] Date of Patent: **** Feb. 16, 1993**

[54] **MAGNETIC TAPE CASSETTE**

[75] Inventors: **Masato Tanaka; Kiyotaka Yanaka,**
both of Tokyo, Japan

[73] Assignee: **Sony Corporation,** Tokyo, Japan

[**] Term: **14 Years**

[21] Appl. No.: **530,987**

[22] Filed: **May 31, 1990**

[30] **Foreign Application Priority Data**

Dec. 6, 1989 [JP] Japan 1-44289

[52] U.S. Cl. **D14/121**

[58] Field of Search **D14/114, 120-122;**
242/71.8, 197-199

[56] **References Cited**

U.S. PATENT DOCUMENTS

D. 265,195 6/1982 Slingerland D14/121

D. 293,100 12/1987 Rutkowski et al. D14/121

D. 303,795 10/1989 Brown D14/121
3,900,172 8/1975 Kamaya D14/121 X
4,372,504 2/1983 Shibata et al. 242/198

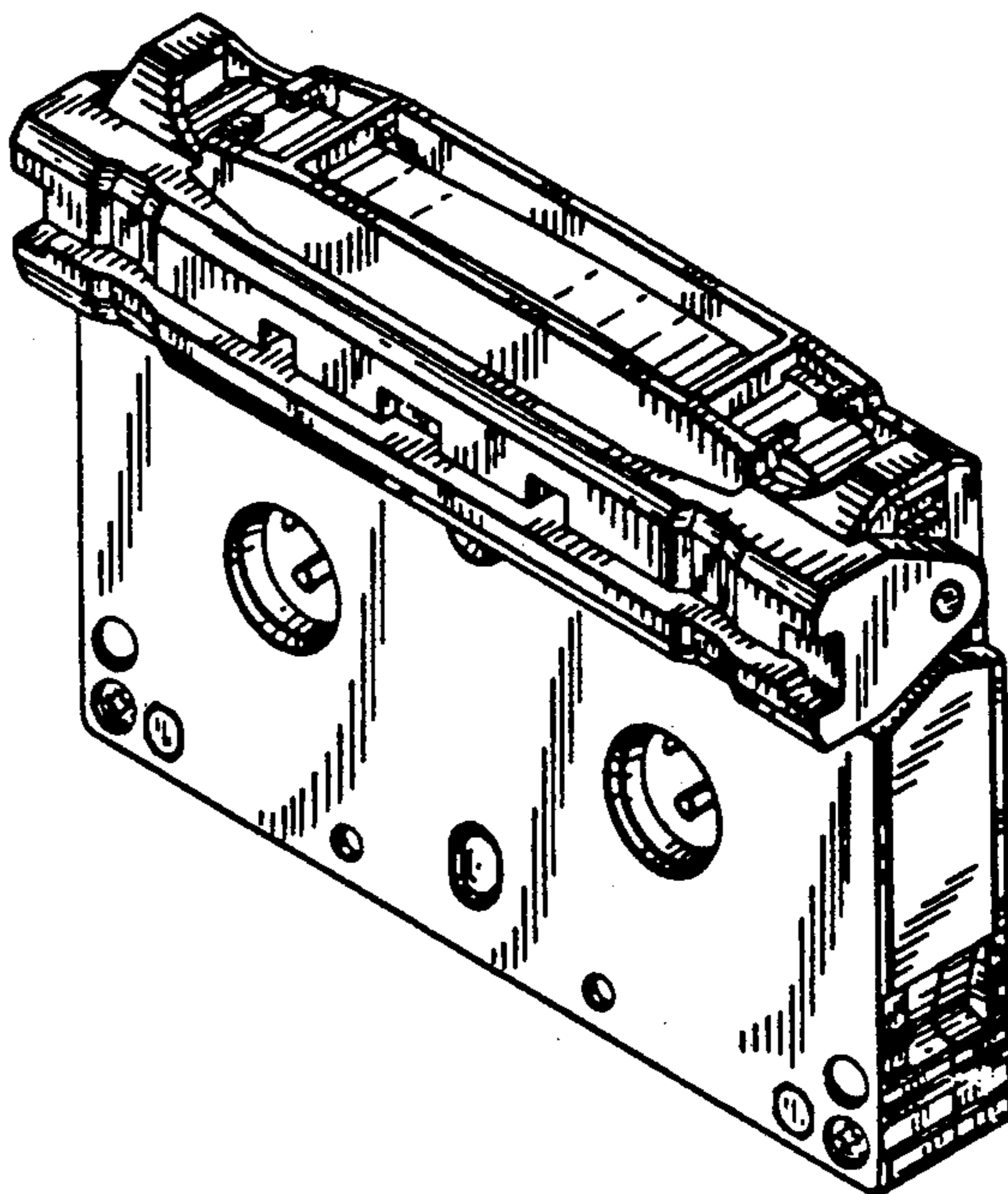
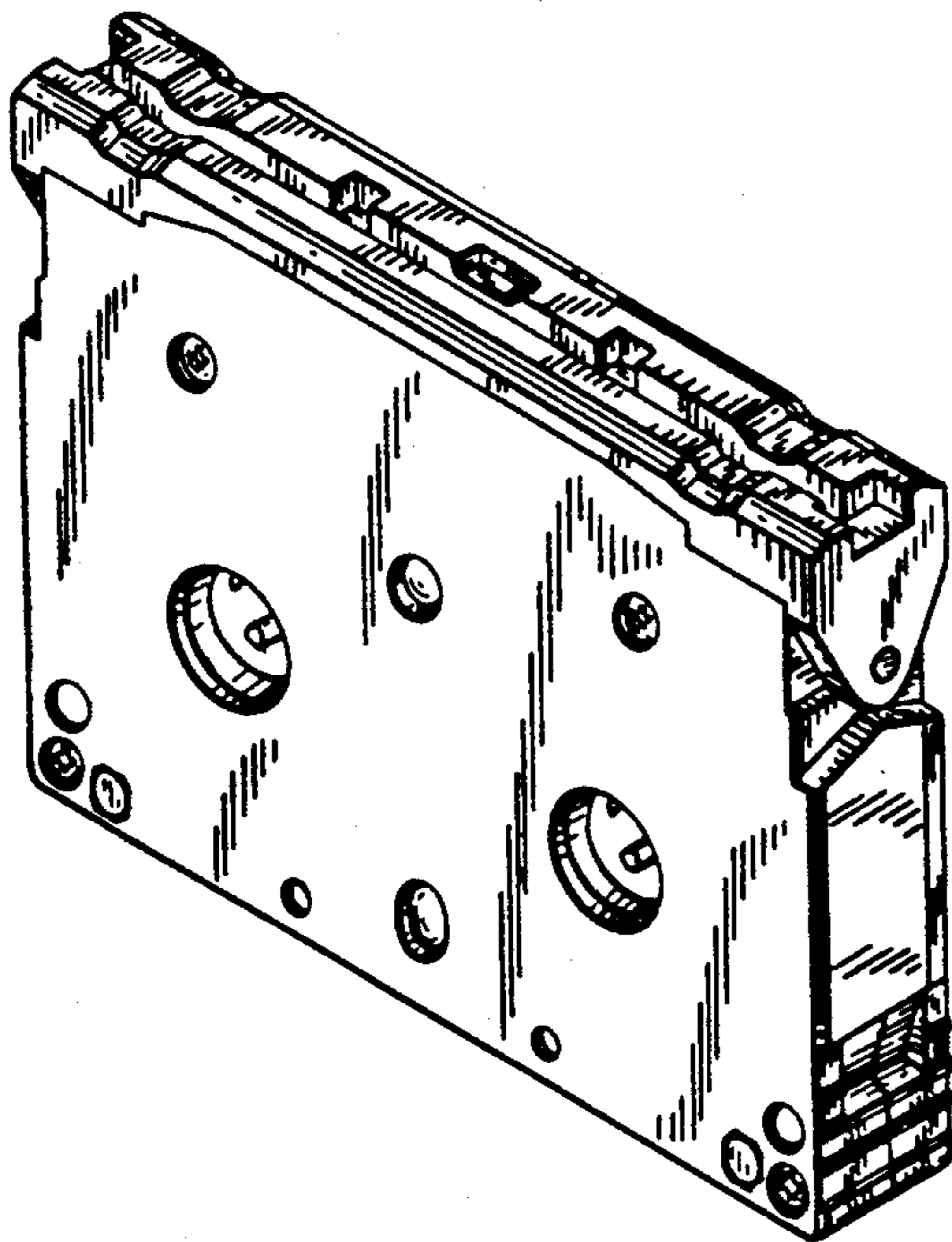
Primary Examiner—Theodore M. Shooman
Attorney, Agent, or Firm—Lewis H. Eslinger; Jay H. Maioli

[57] **CLAIM**

The ornamental design for a magnetic tape cassette, as shown and described.

DESCRIPTION

FIG. 1 is a top, front and right-side perspective view of a magnetic tape cassette, showing our new design; FIG. 2 is a top, front and right-side perspective view thereof, shown with cover in the opened position; FIG. 3 is a front elevational view thereof; FIG. 4 is a rear elevational view thereof; FIG. 5 is a right-side elevational view thereof, the left-side being a mirror image thereof; FIG. 6 is a top plan view thereof; and, FIG. 7 is a bottom plan view thereof.



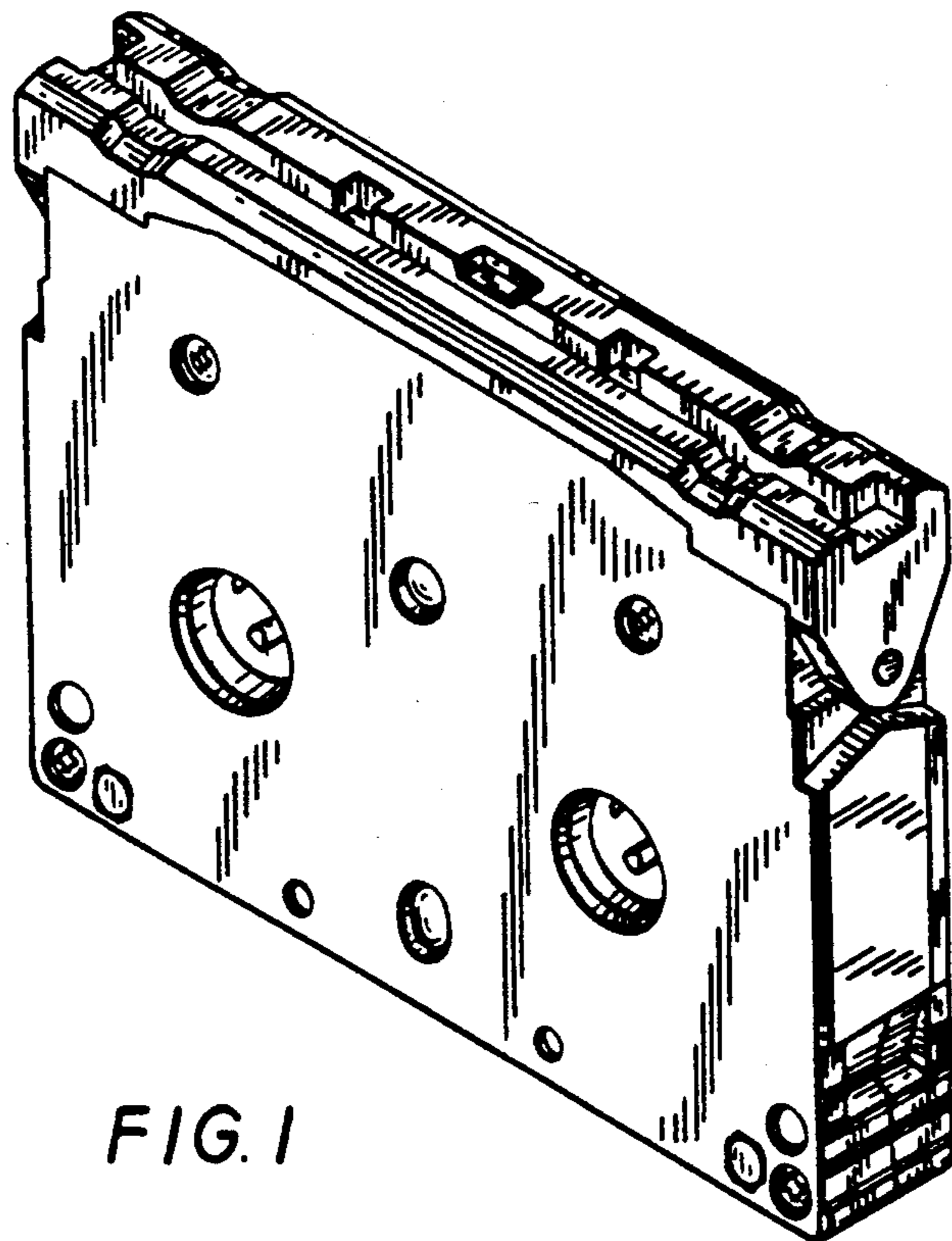


FIG. 1

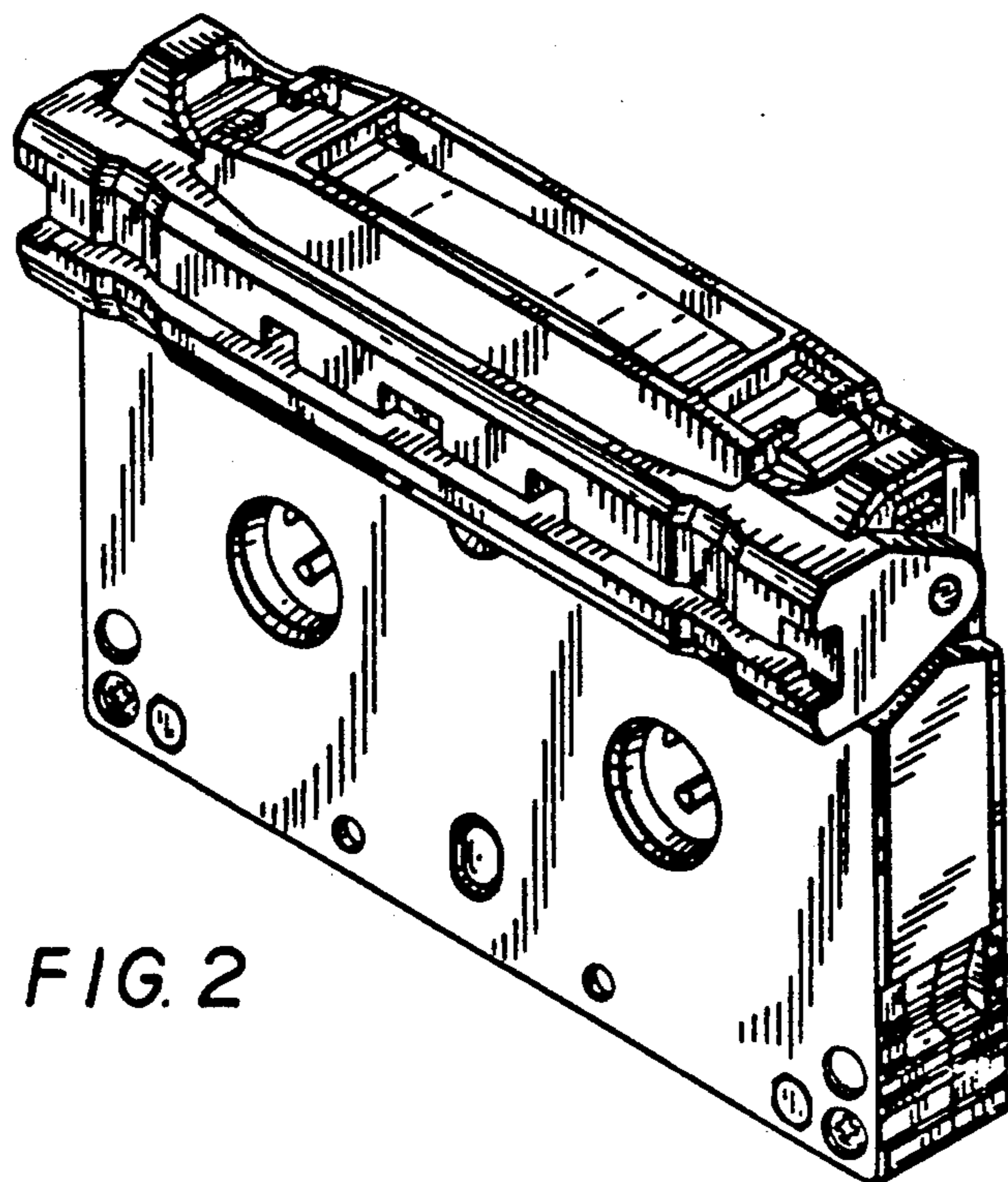


FIG. 2

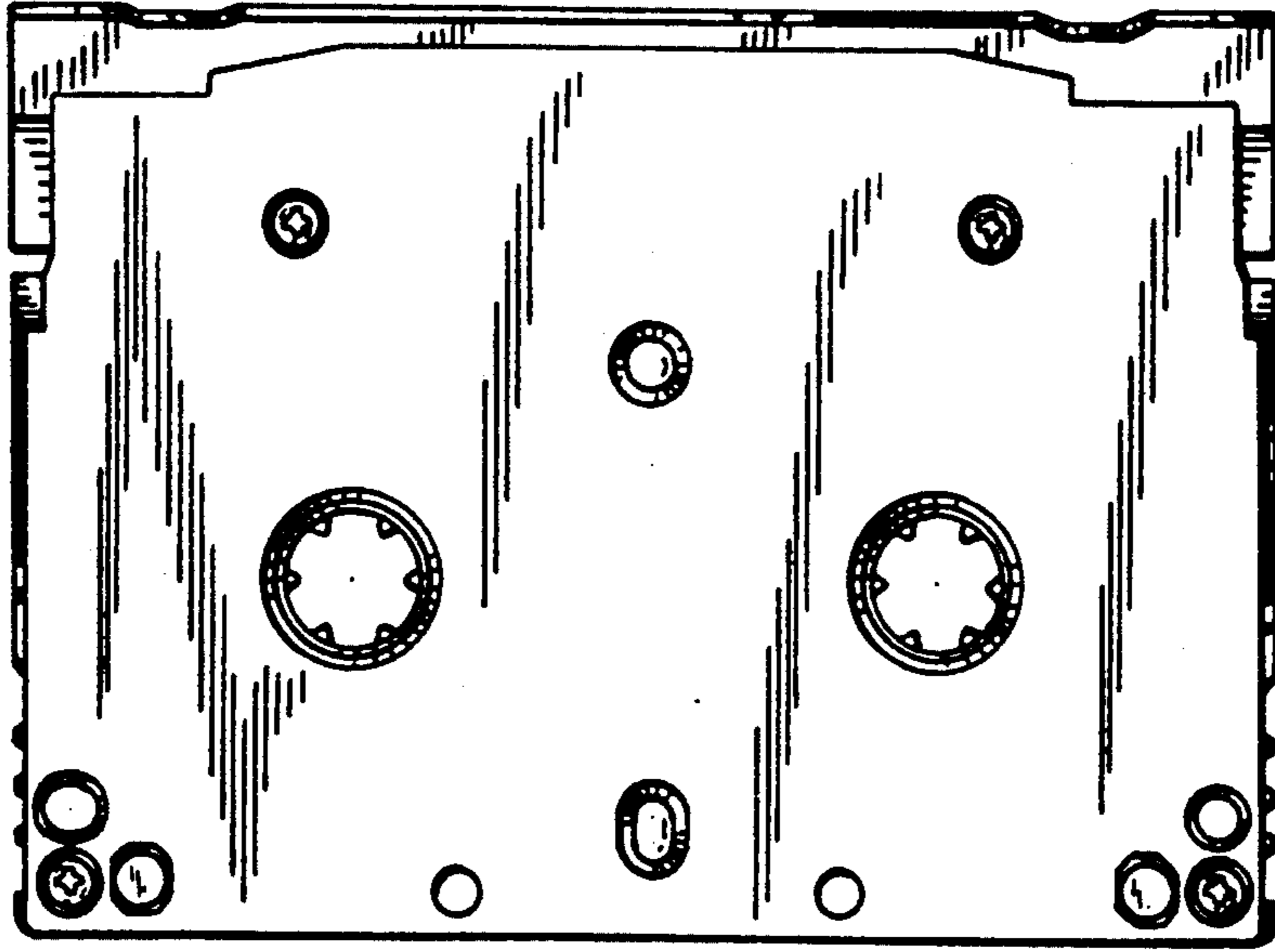


FIG. 3

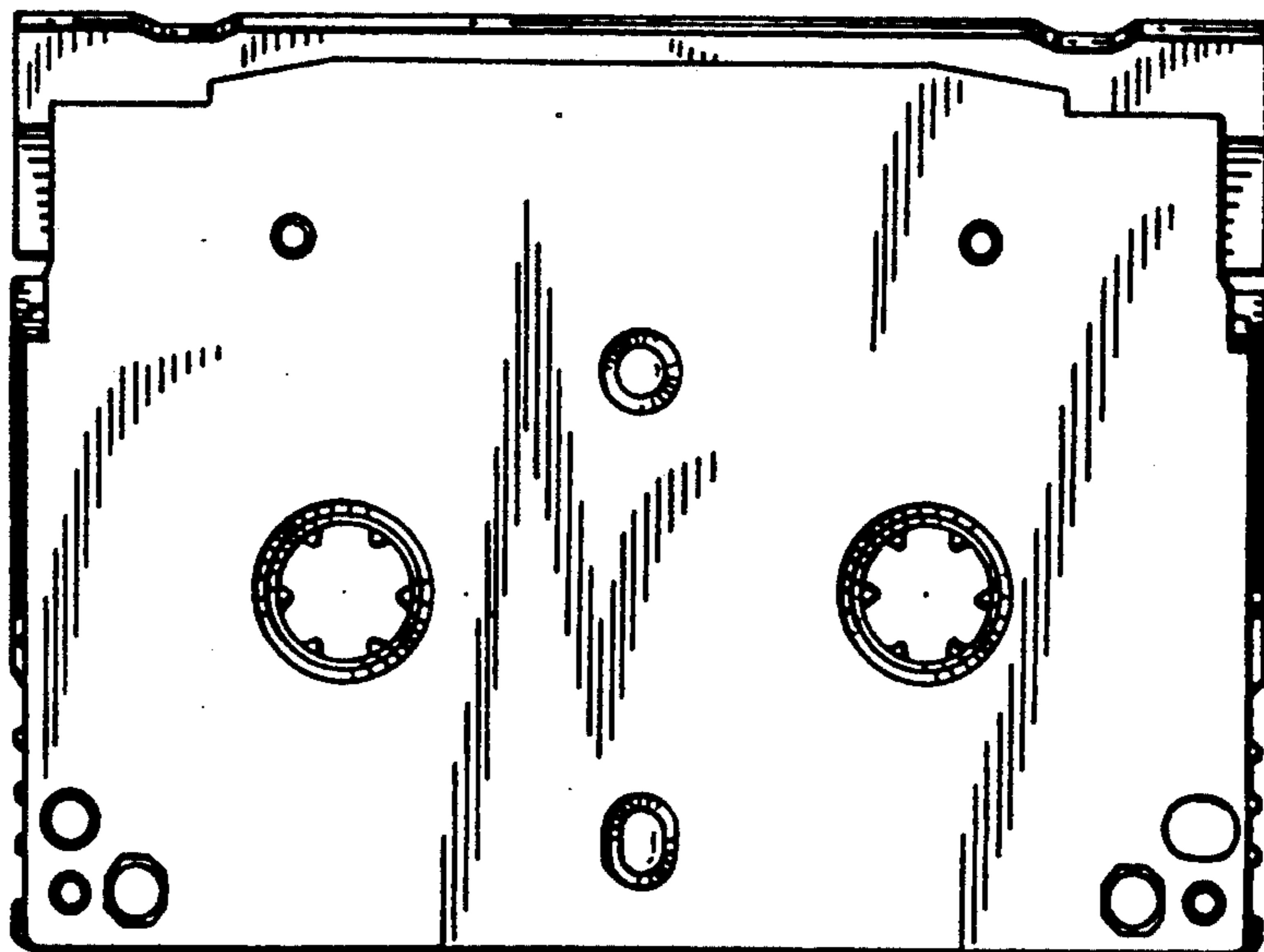


FIG. 4



FIG. 5

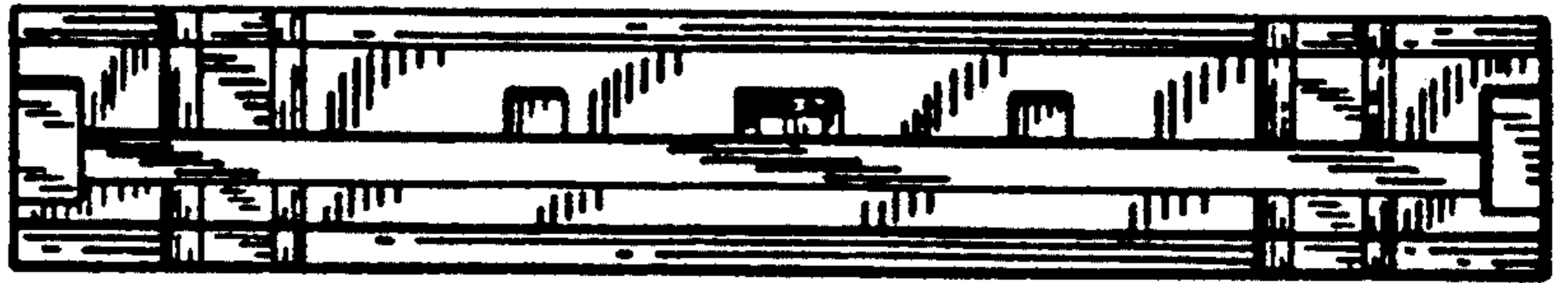


FIG. 6

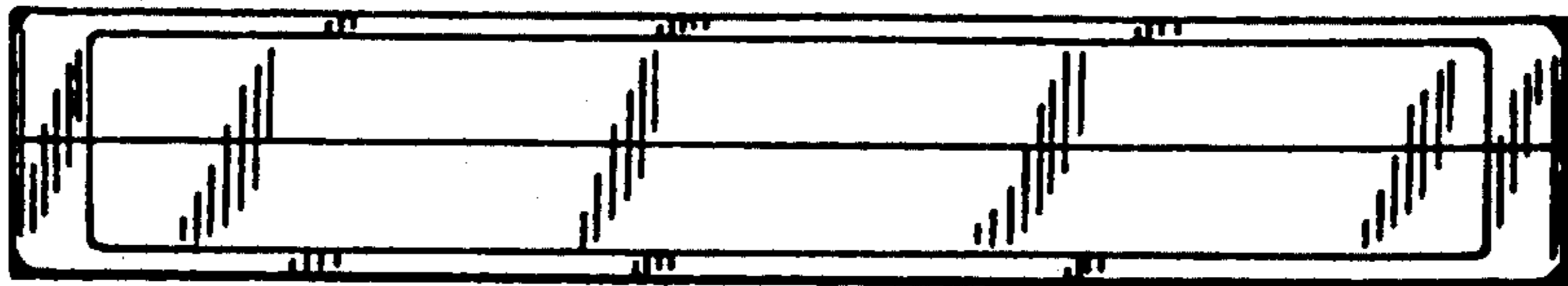


FIG. 7