



US00D333300S

United States Patent [19] Hatcher

[11] Patent Number: **Des. 333,300**
[45] Date of Patent: **** Feb. 16, 1993**

[54] COMPUTER STAND WITH SLIDING KEYBOARD SHELF

- [75] Inventor: **David O. Hatcher**, Williamsville, N.Y.
- [73] Assignee: **Posting Equipment Corporation**, Buffalo, N.Y.
- [**] Term: **14 Years**
- [21] Appl. No.: **703,132**
- [22] Filed: **May 17, 1991**
- [52] U.S. Cl. **D14/114; D6/474**
- [58] Field of Search **D14/100, 114; D18/56, D18/59; 312/194-196, 208, 320, 322; D6/420, 429-431, 449, 474, 425; 340/700**

[56] References Cited

U.S. PATENT DOCUMENTS

D. 266,672	10/1982	Landin	D14/114
D. 285,632	9/1986	Axhamre	D6/474
D. 287,678	1/1987	Hatcher et al.	D14/114 X
D. 298,493	11/1988	Hatcher et al.	D14/114 X
D. 302,425	7/1989	LaBudde et al.	D14/14
D. 316,710	5/1991	Drake et al.	D14/114
3,159,441	12/1964	Sikma	312/322 X
4,483,572	11/1984	Story .	
4,496,200	1/1985	Hagstrom et al. .	
4,624,510	11/1986	Jedziniak .	
4,635,893	1/1987	Nelson .	
4,717,112	1/1988	Pirkle .	
4,901,972	2/1990	Judd et al. .	

OTHER PUBLICATIONS

Inmac Catalog View Keyboard Drawer p. 27, May 89, copy in D14 Computer Accessories Catalogs, Group 2900.

Primary Examiner—Susan J. Lucas
Assistant Examiner—M. H. Tung
Attorney, Agent, or Firm—Hodgson, Russ, Andrews, Woods & Goodyear

[57] CLAIM

The ornamental design for a computer stand with sliding keyboard shelf, as shown and described.

DESCRIPTION

FIG. 1 is a perspective view of a computer stand with sliding keyboard shelf showing my new design; FIG. 2 is a right-side elevational view thereof; FIG. 3 is a bottom plan view thereof; FIG. 4 is a front elevational view thereof; FIG. 5 is a rear elevational view thereof; FIG. 6 is a perspective view thereof, the keyboard shelf shown extended from the front side; FIG. 7 is a right side elevational view thereof; FIG. 8 is a perspective view thereof, the keyboard shelf shown extended from the rear side; FIG. 9 is a left side elevational view thereof; FIG. 10 is a rear elevational view thereof, the keyboard shelf shown extended from the rear side; and, FIG. 11 is a front elevational view thereof, the keyboard shelf shown extended from the rear side.

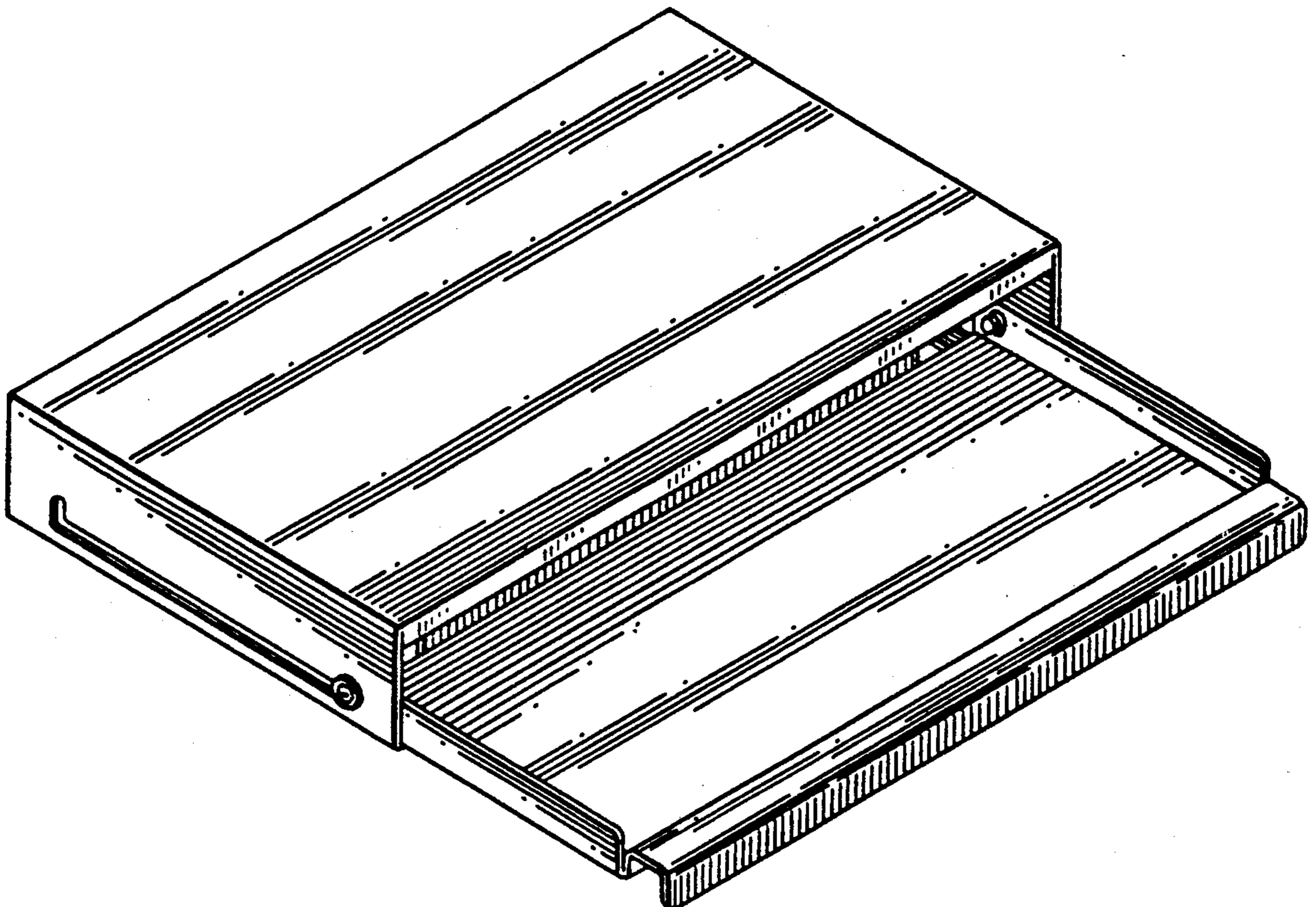


Fig. 1.

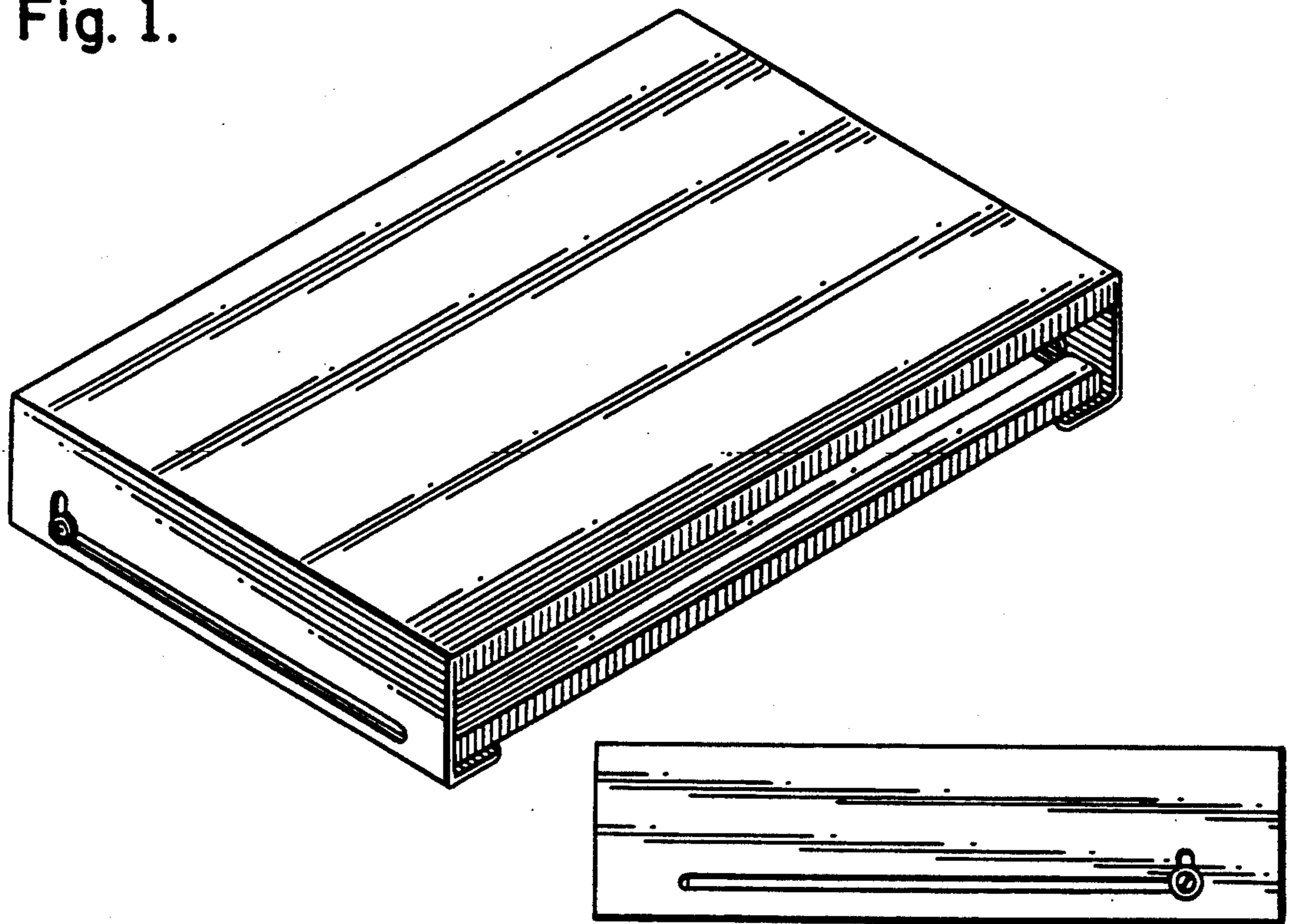


Fig. 2.

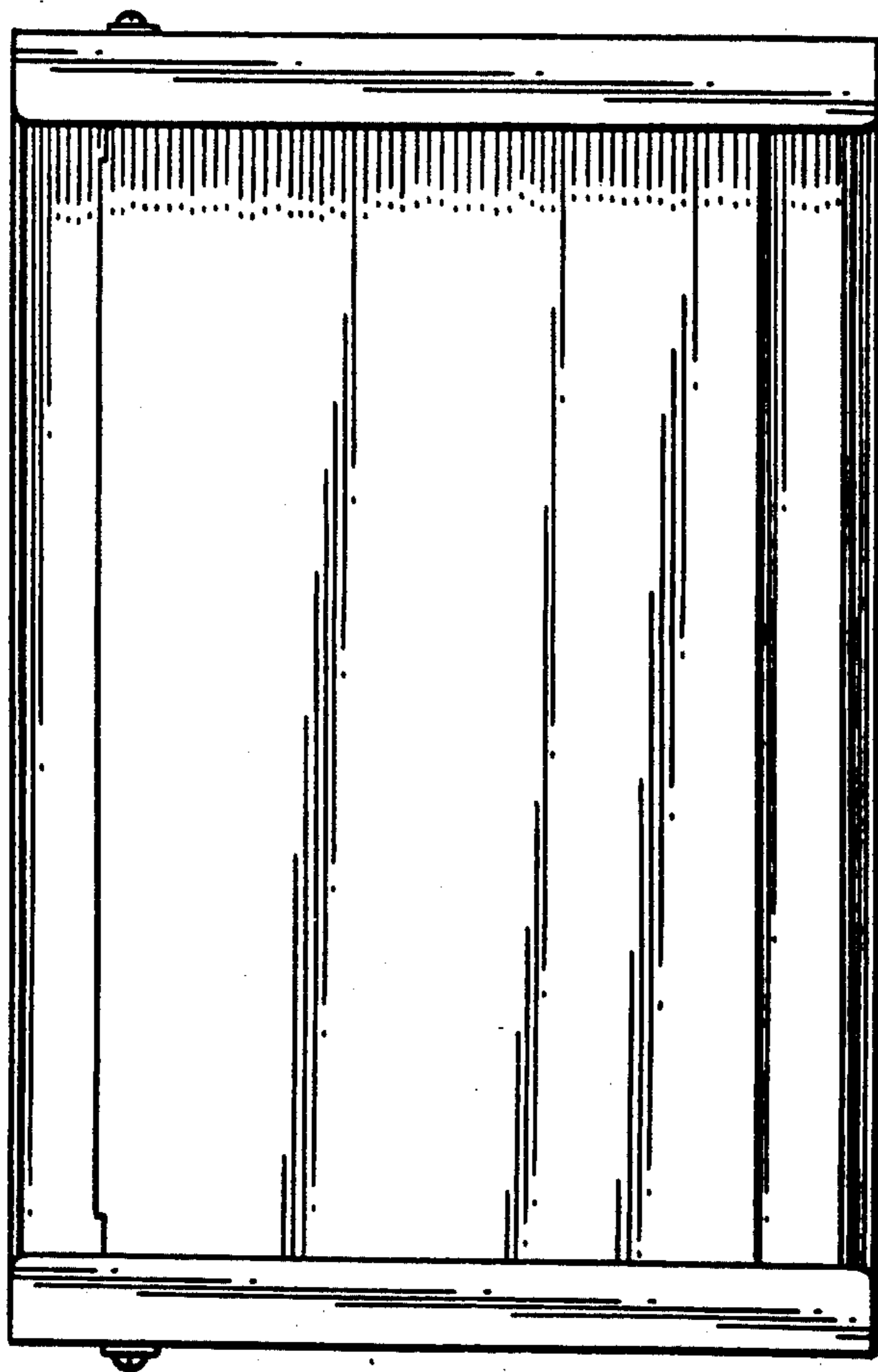


Fig. 3.

Fig. 6.

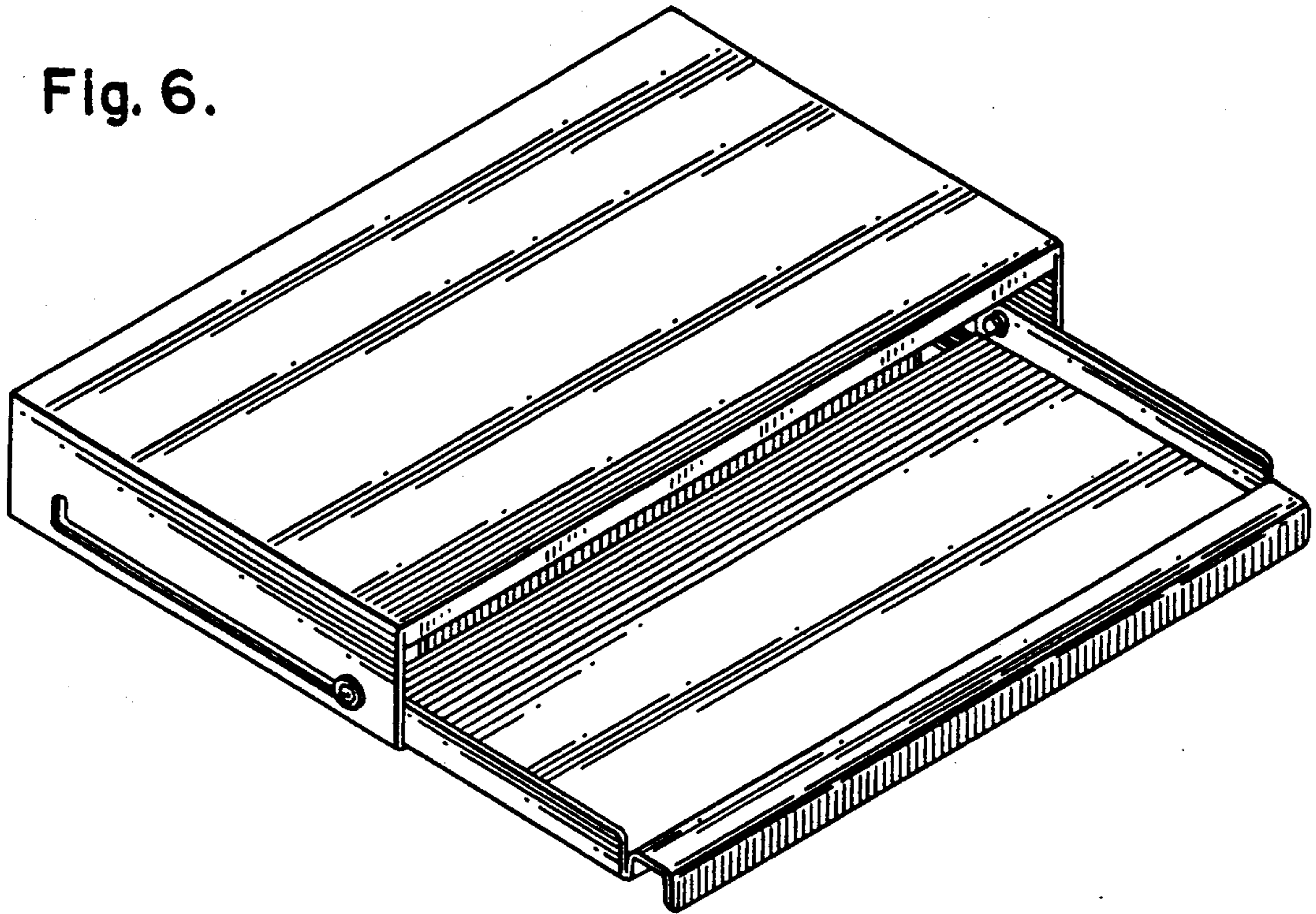


Fig. 7.

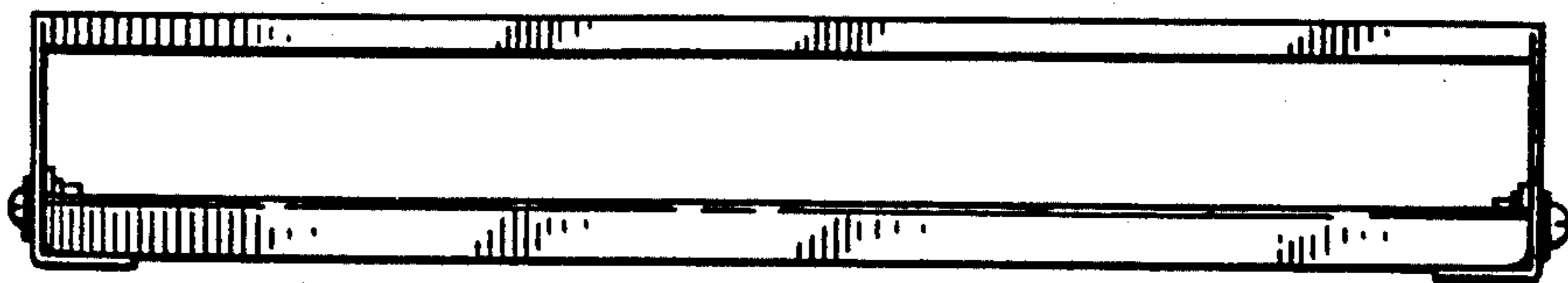
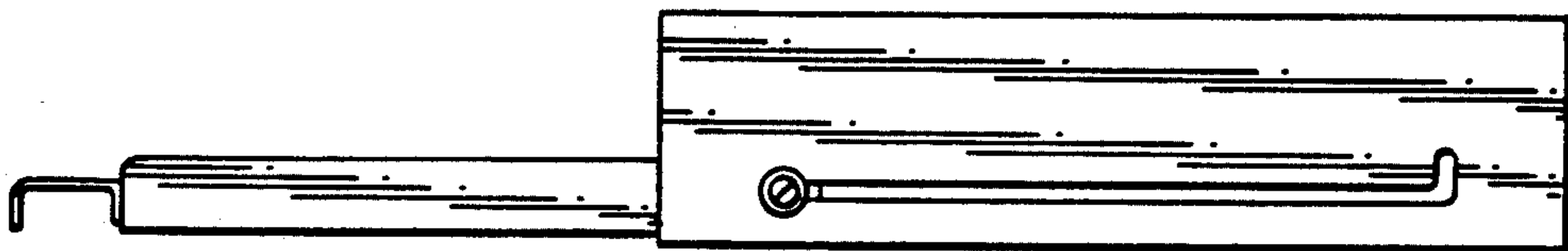


Fig. 4.

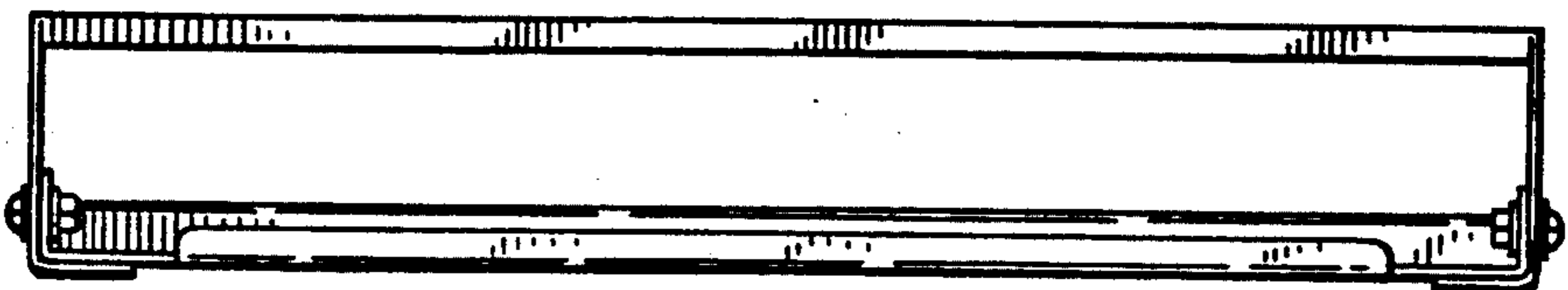


Fig. 5.

Fig. 8.

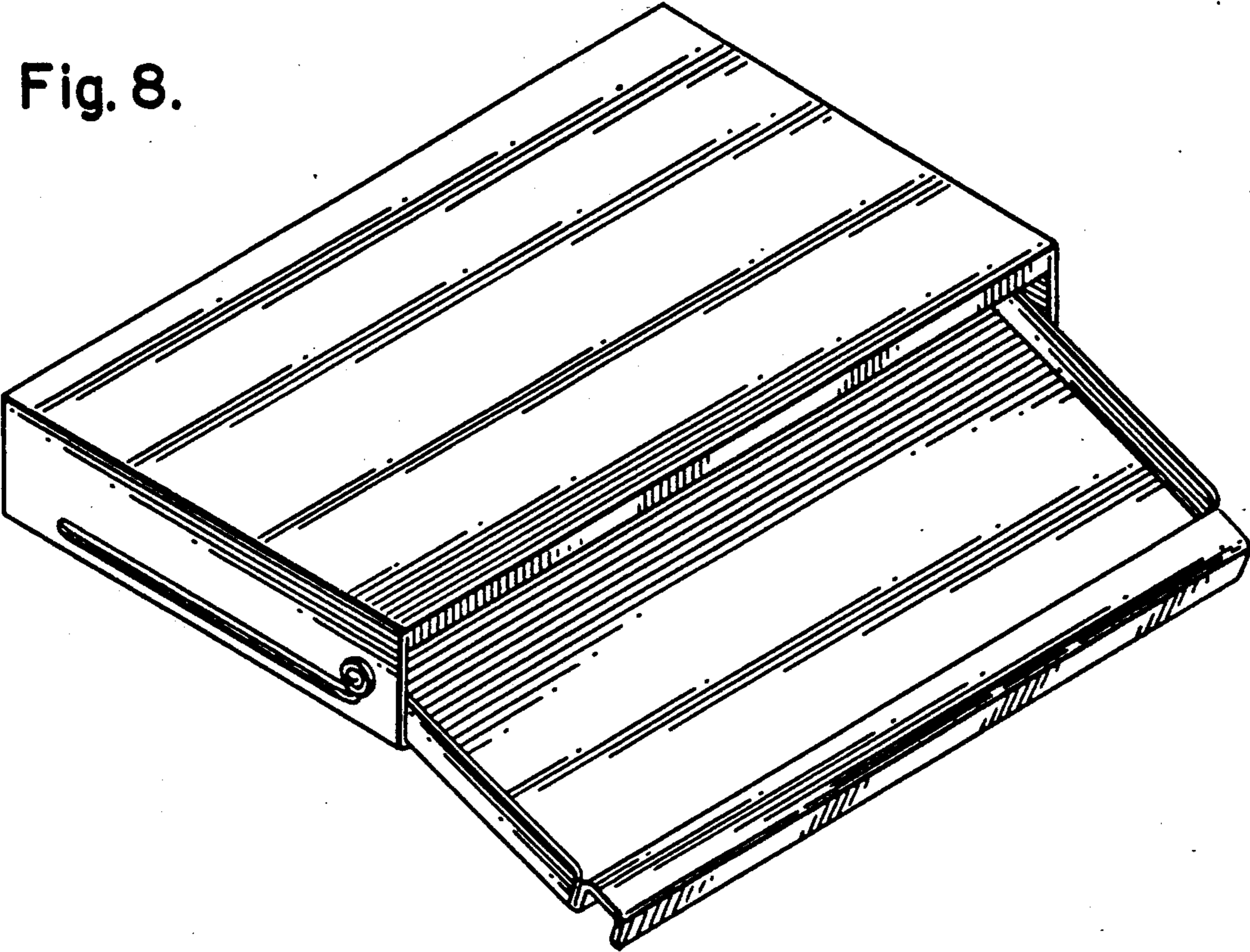


Fig. 9.

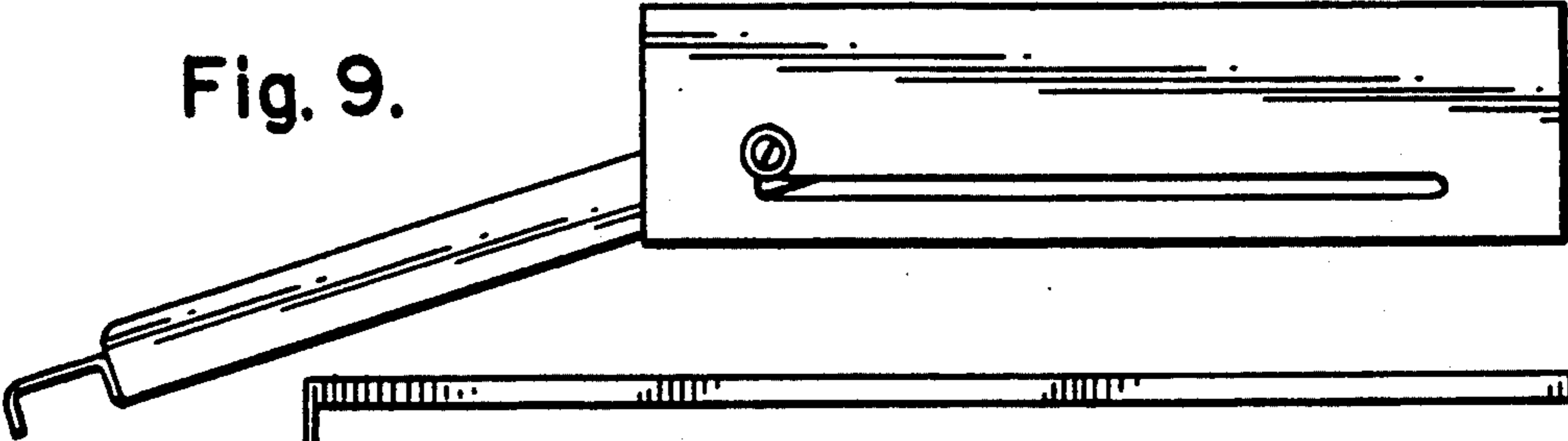


Fig. 10.

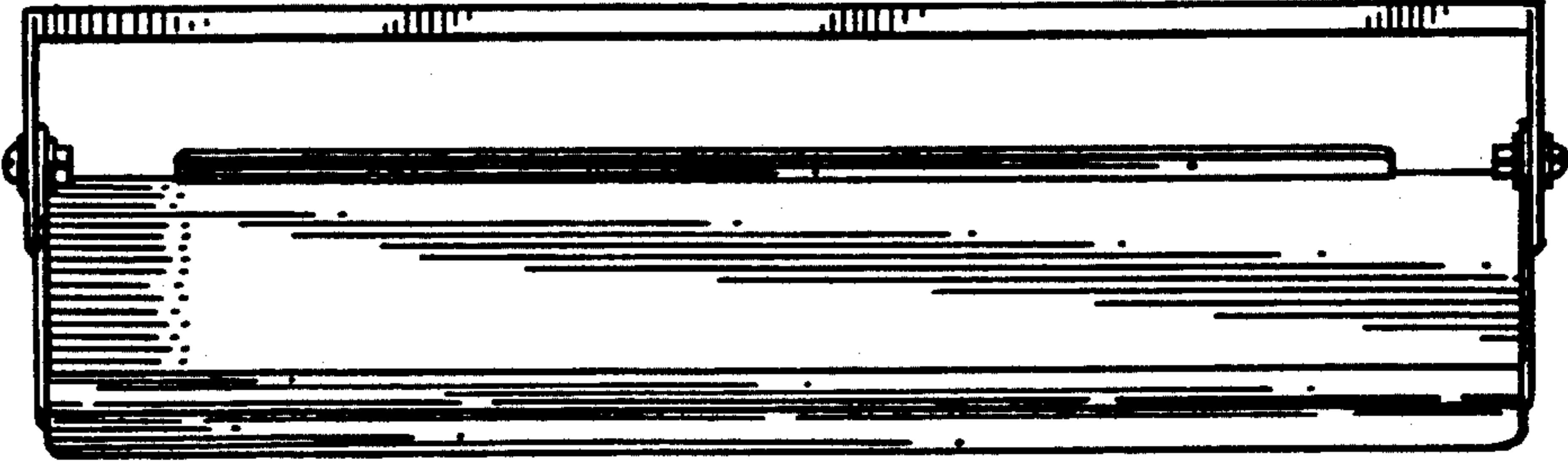


Fig. 11.

