



US00D333296S

United States Patent [19]

[11] Patent Number: Des. 333,296

Stedham

[45] Date of Patent: ** Feb. 16, 1993

[54] COMBINED PALM SWITCH HOUSING AND BASE PLATE

[75] Inventor: David M. Stedham, Reno, Nev.

[73] Assignee: Honeywell Inc., Minneapolis, Minn.

[**] Term: 14 Years

[21] Appl. No.: 680,290

[22] Filed: Apr. 1, 1991

[52] U.S. Cl. D13/171

[58] Field of Search D13/158, 168, 171; D10/121; 200/43.18, 302.1, 302.2, 341, 520

[56] References Cited

U.S. PATENT DOCUMENTS

- D. 230,361 2/1974 Missio D10/121 X
- D. 281,164 10/1985 Kim D13/168 X
- D. 281,776 12/1985 Griffin D13/168
- 2,667,552 1/1954 Walz 200/302.1 X
- 2,783,339 2/1957 Carden D13/171 X

FOREIGN PATENT DOCUMENTS

- 0231757 8/1987 European Pat. Off. D13/171 X

OTHER PUBLICATIONS

Turck Inc., product specification sheet for BC10PB-M30-A(D)Z3X capacitive actuated palm button, Mar. 1990.

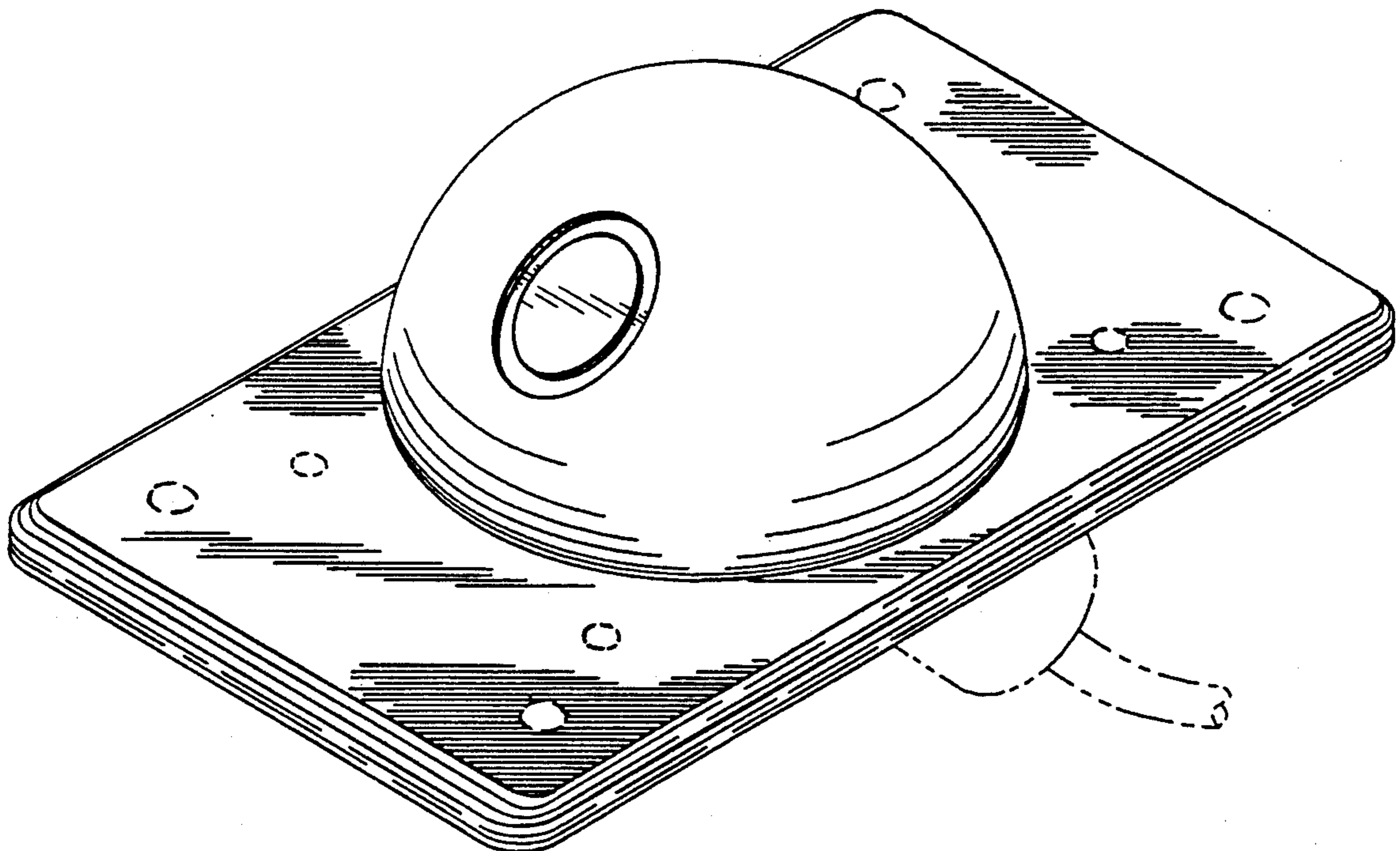
Primary Examiner—Wallace R. Burke
Assistant Examiner—Joel Sincavage
Attorney, Agent, or Firm—Charles L. Rubow

[57] CLAIM

The ornamental design for a combined palm switch housing and base plate, as shown and described.

DESCRIPTION

FIG. 1 is an upper front and left side perspective view of a combined palm switch housing and base plate showing a first embodiment of my new design, the broken line representations illustrating environmental elements only and forming no part of the claimed design; FIG. 2 is a top plan view thereof; FIG. 3 is a left side elevational view thereof, the right side elevational view thereof being a mirror image; FIG. 4 is a front elevational view thereof; FIG. 5 is a rear elevational view thereof; FIG. 6 is an upper front and left side perspective view of a combined palm switch housing and base plate showing a second embodiment of my new design, the broken line representations illustrating environmental elements only and forming no part of the claimed design; FIG. 7 is a top plan view thereof; FIG. 8 is a left side elevational view thereof, the right side elevational view thereof being a mirror image; and, FIG. 9 is a front elevational view thereof, the rear elevational view thereof being a mirror image.



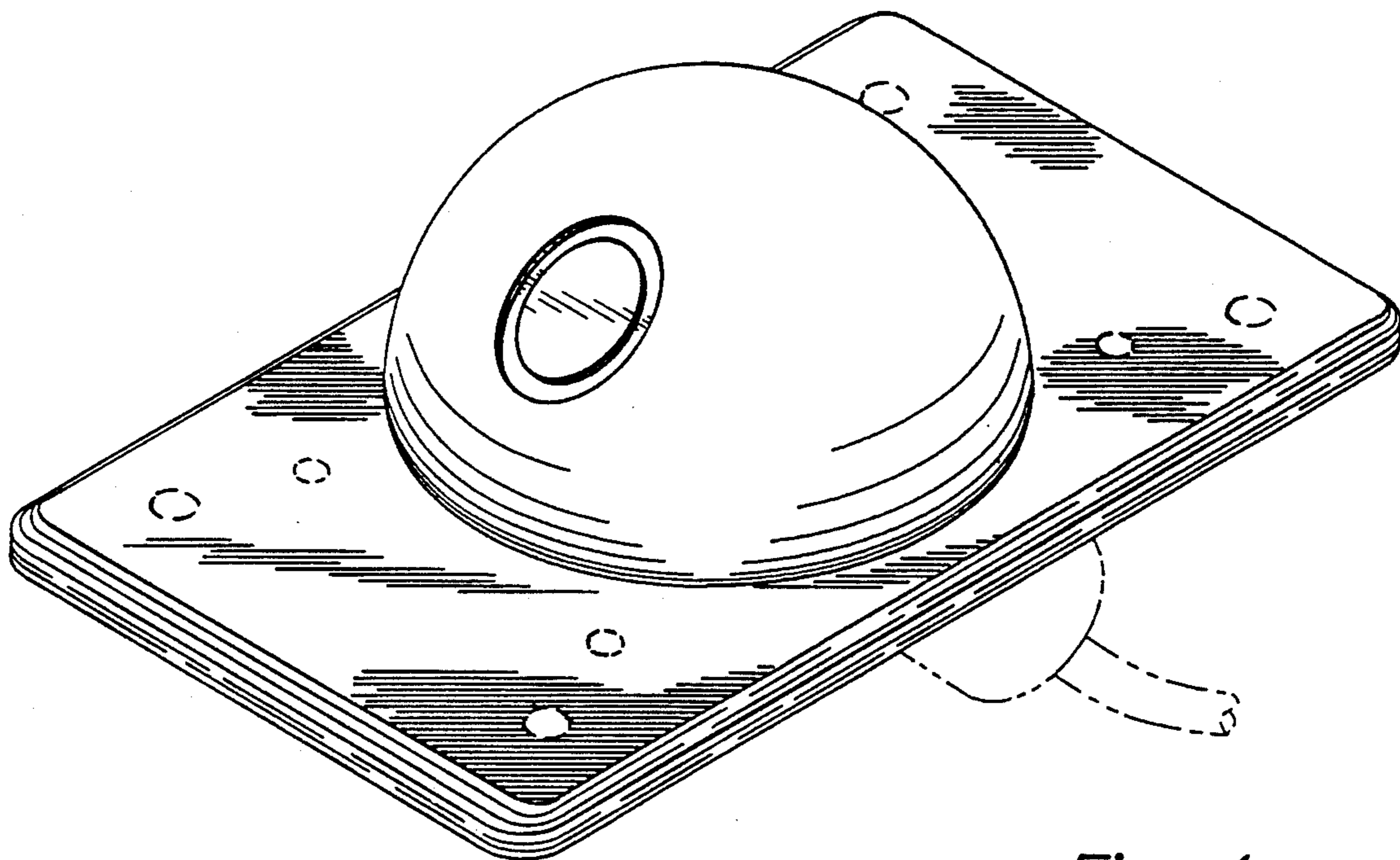


Fig. 1

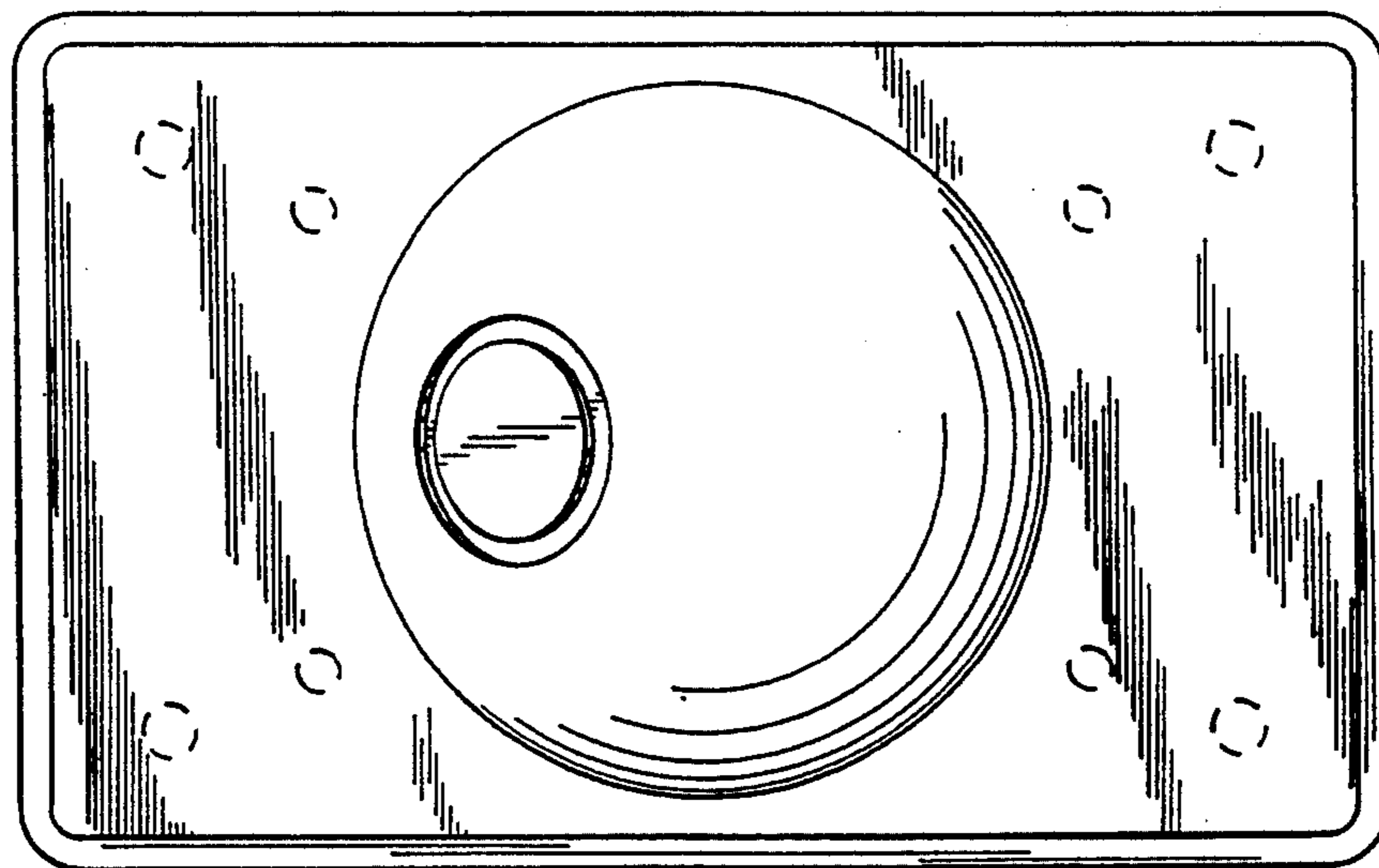


Fig. 2

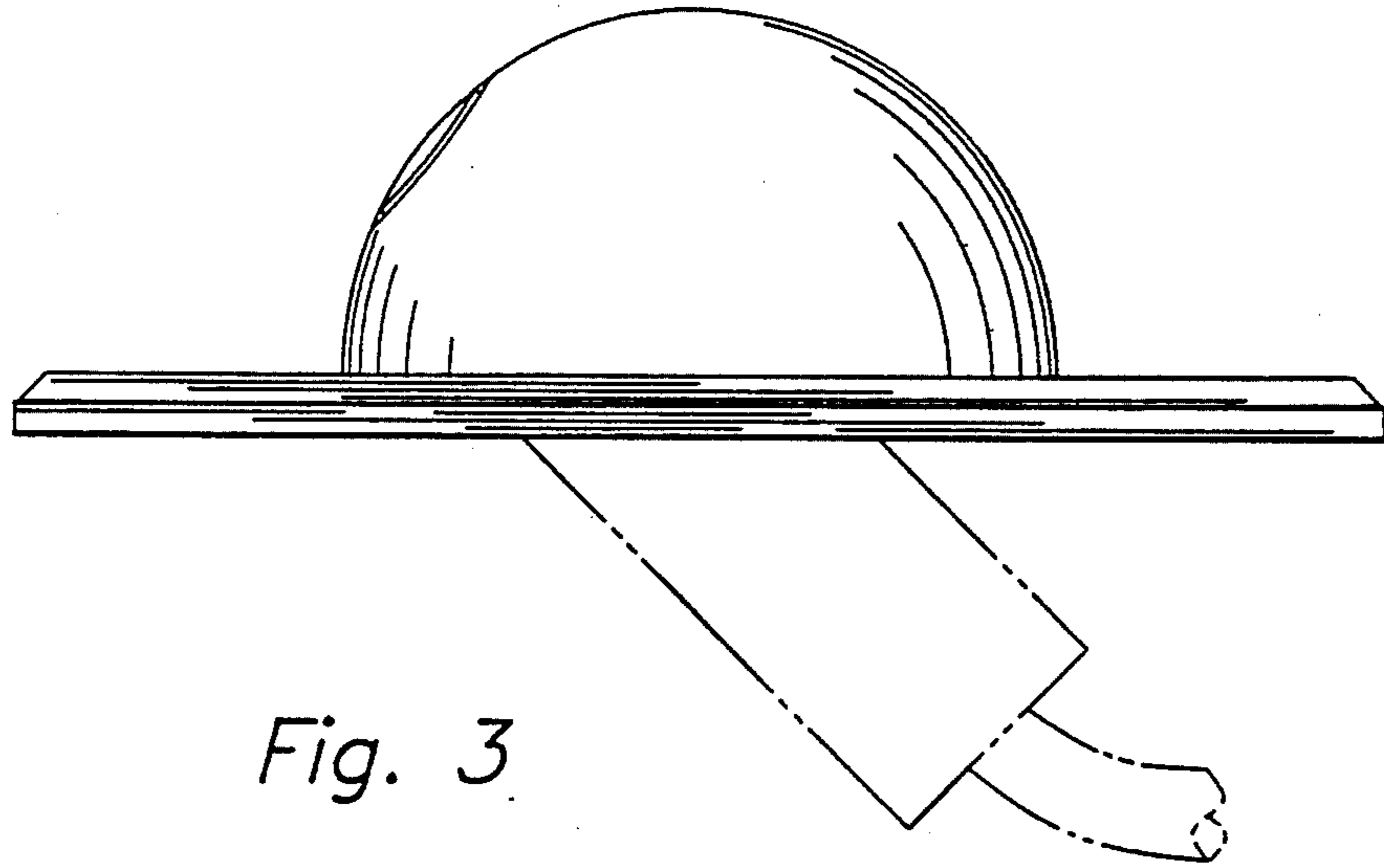


Fig. 3

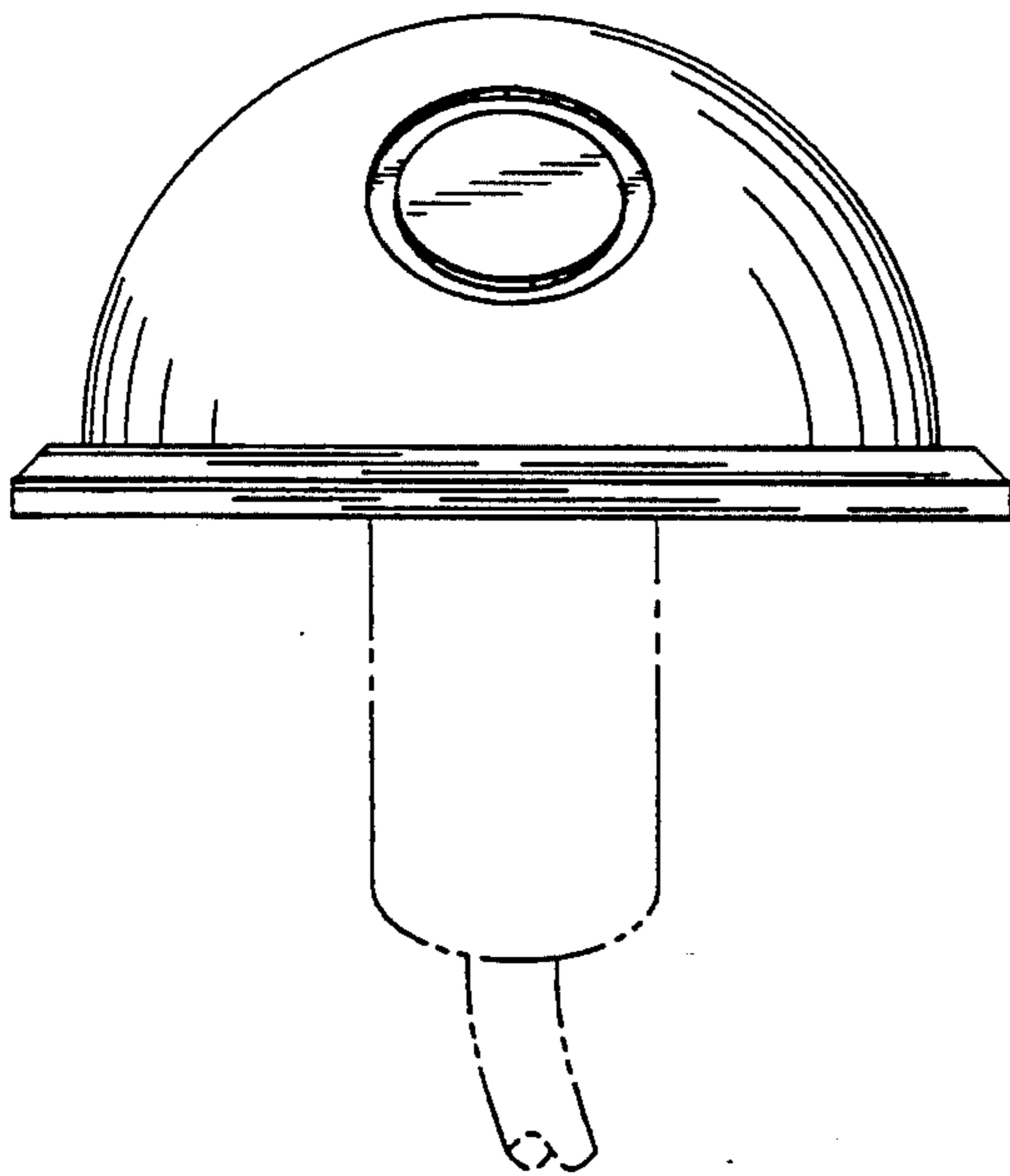


Fig. 4

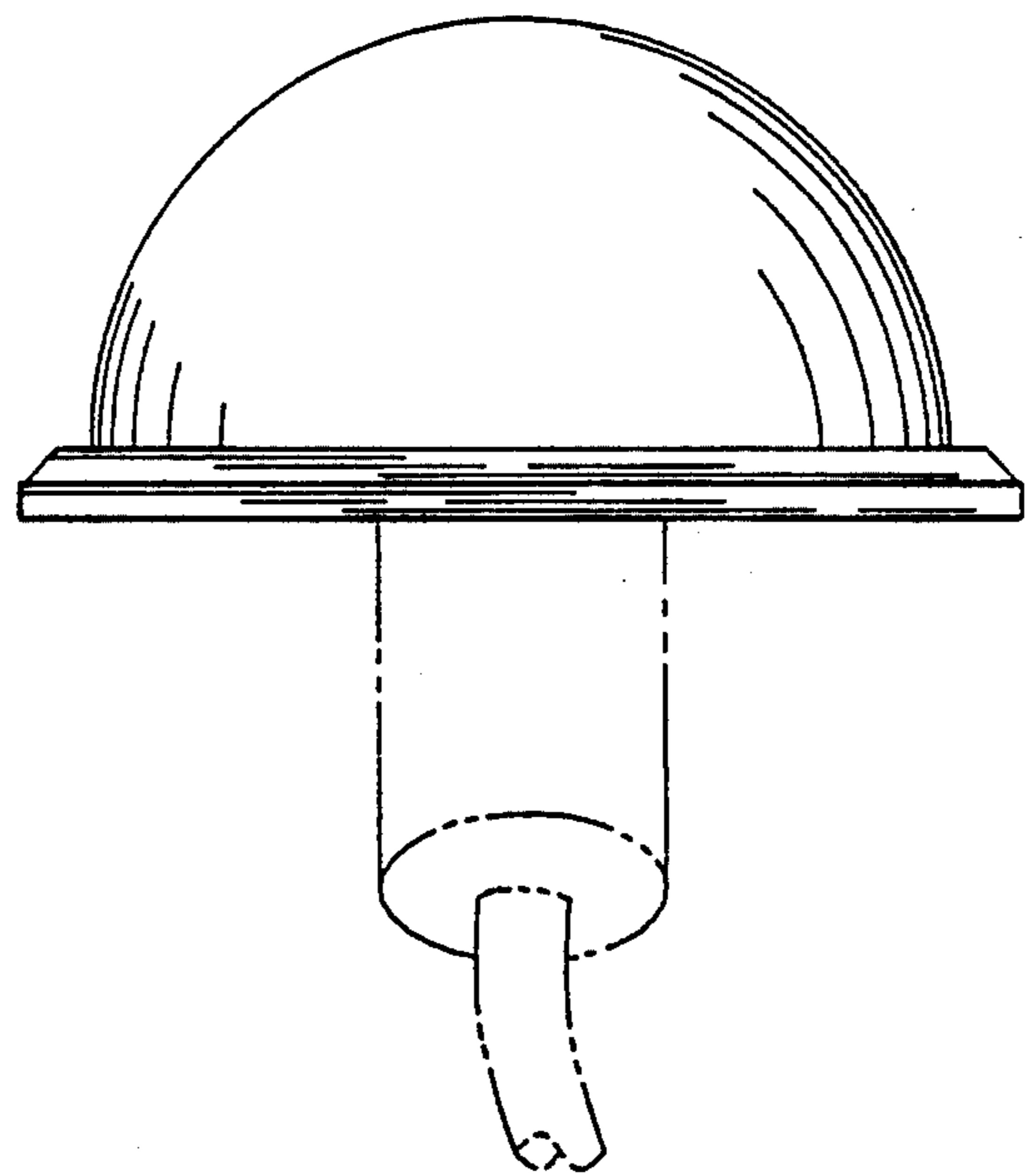


Fig. 5

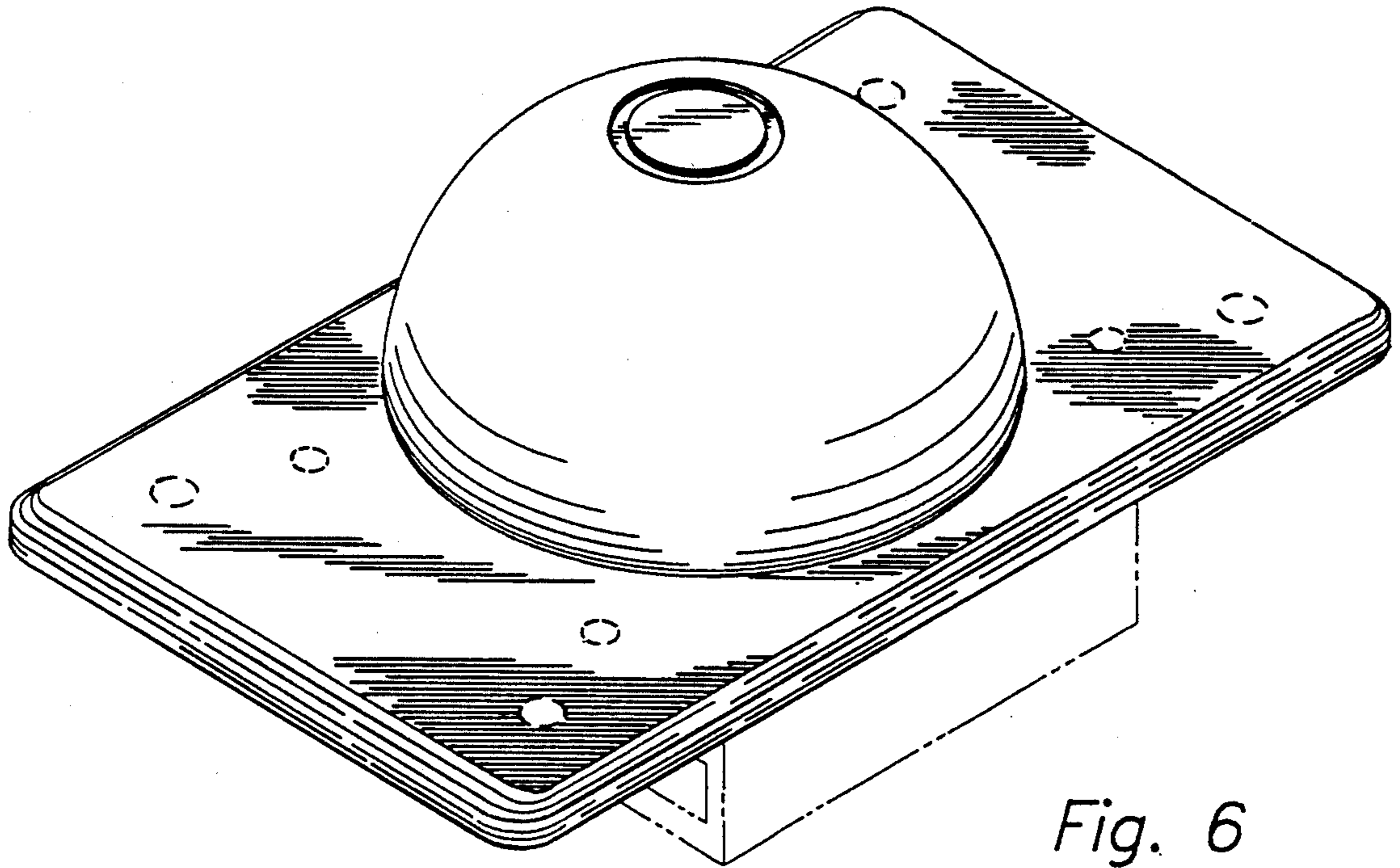


Fig. 6

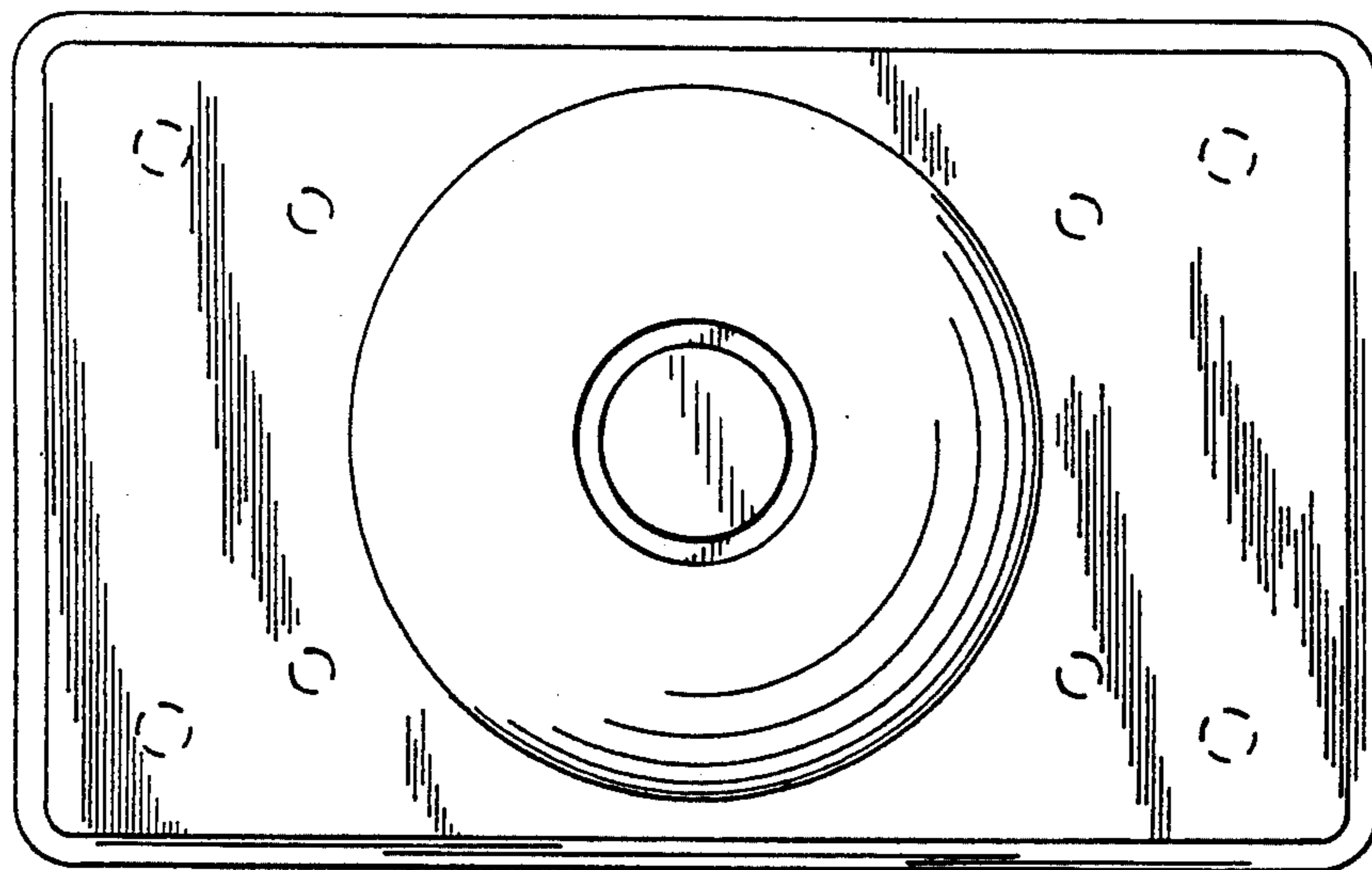


Fig. 7

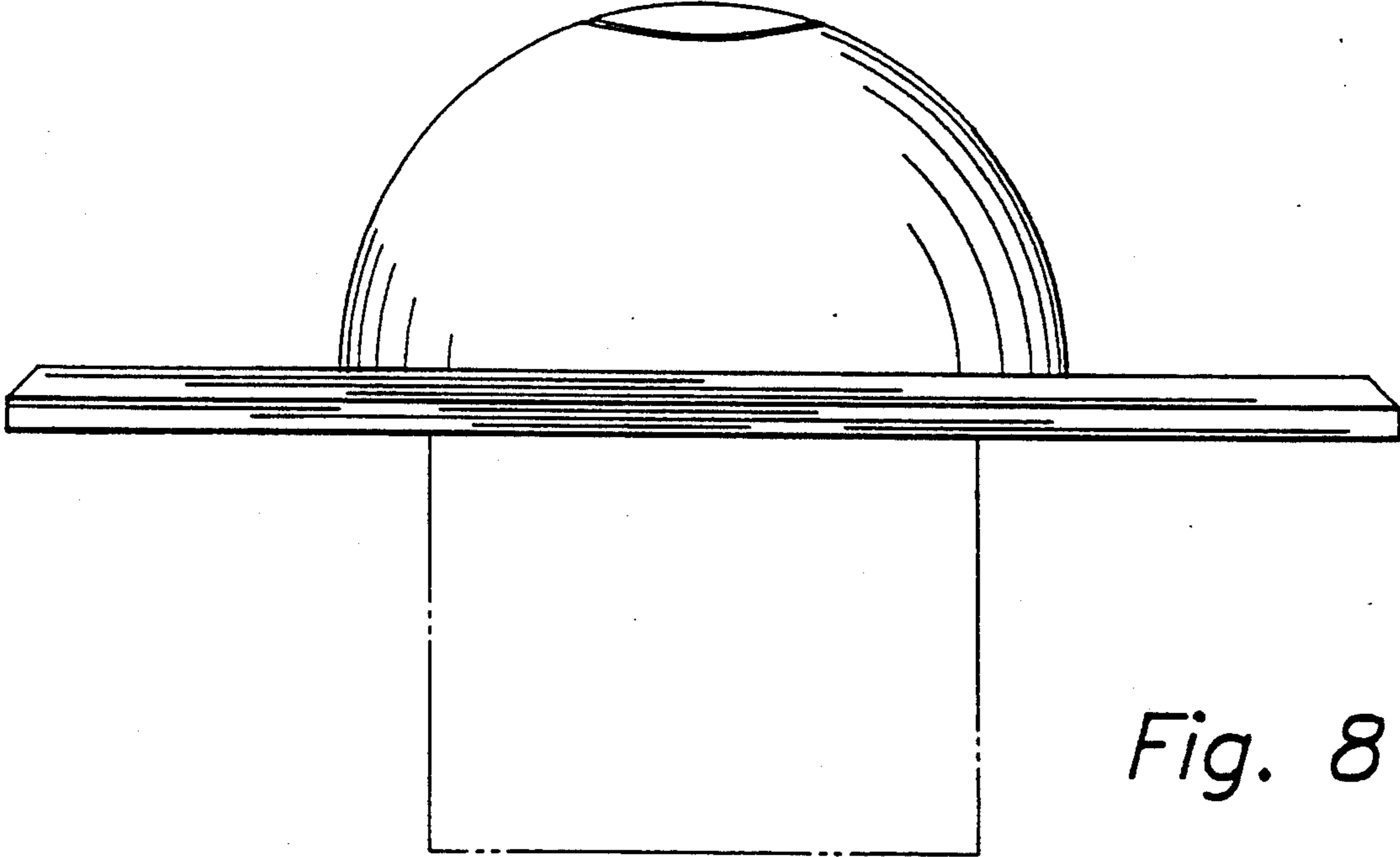


Fig. 8

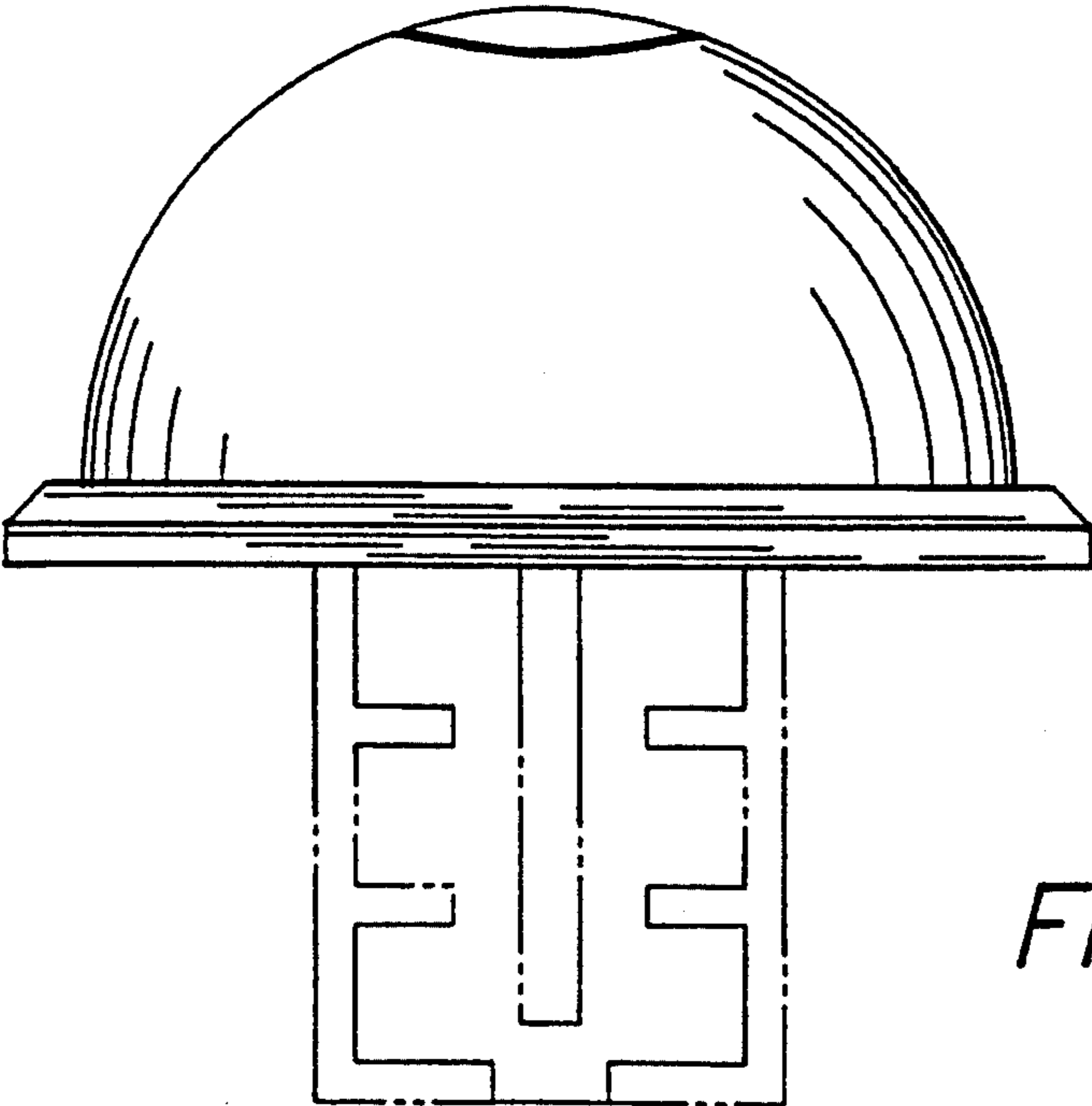


Fig. 9