



US00D333294S

United States Patent [19] Dossey

[11] Patent Number: **Des. 333,294**
[45] Date of Patent: **** Feb. 16, 1993**

[54] AUTOMOBILE HOT WIRE PREVENTION SWITCH

[76] Inventor: **John Dossey, 4000 Georgian Dr., Ft. Worth, Tex. 76117**

[**] Term: **14 Years**

[21] Appl. No.: **718,860**

[22] Filed: **Jun. 21, 1991**

[52] U.S. Cl. **D13/158; D13/169; D13/171**

[58] Field of Search **D13/158, 169, 171, 162; 180/287; 174/52.1; 200/43.18, 293**

[56] References Cited

U.S. PATENT DOCUMENTS

D. 224,114	7/1972	Mueller et al.	D13/171
D. 225,111	11/1972	Kodaira	D13/169
2,903,662	9/1959	Harvey	174/52.1 X
3,208,020	9/1965	Gagnon	174/52.1 X
4,104,895	8/1978	Tankel .	
4,222,034	9/1980	Orenzow .	
4,278,963	7/1981	Allen .	
4,496,811	1/1985	Irwin	200/43.18 X

FOREIGN PATENT DOCUMENTS

335862 11/1919 Fed. Rep. of Germany .
506781 8/1930 Fed. Rep. of Germany .
0643919 8/1962 Italy 200/293

OTHER PUBLICATIONS

Relays on p. 99 of *Design News*, May 8, 1989.

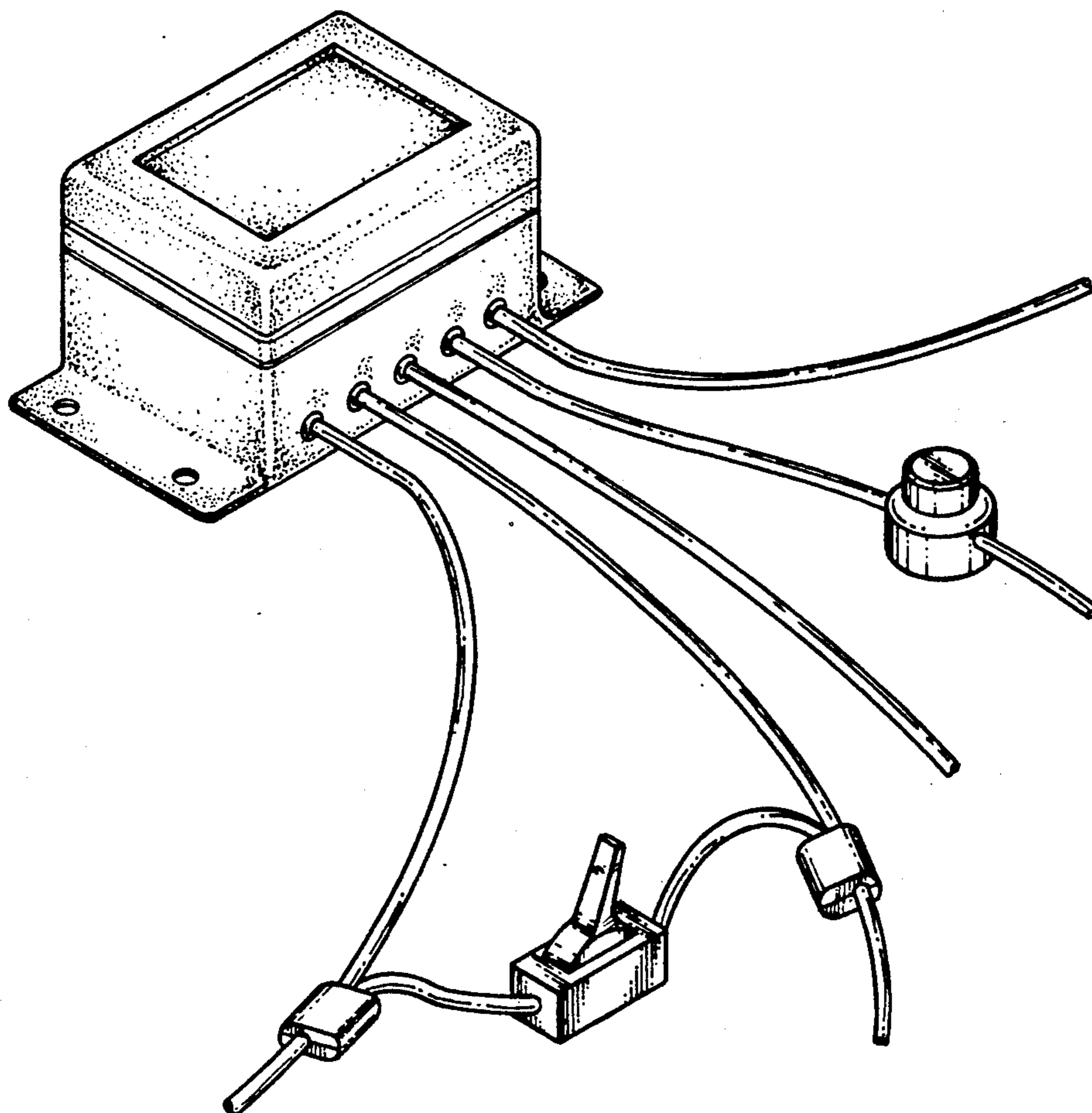
Primary Examiner—Wallace R. Burke
Assistant Examiner—Joel Sincavage
Attorney, Agent, or Firm—Terry M. Gernstein

[57] CLAIM

The ornamental design for a automobile hot wire prevention switch, as shown and described.

DESCRIPTION

FIG. 1 is a front and upper right perspective view of an automobile hot wire prevention switch showing my new design;
FIG. 2 is a front elevational view thereof;
FIG. 3 is a rear elevational view thereof;
FIG. 4 is a left side elevational view thereof;
FIG. 5 is a right side elevational view thereof;
FIG. 6 is a top plan view thereof; and,
FIG. 7 is a bottom plan view thereof.



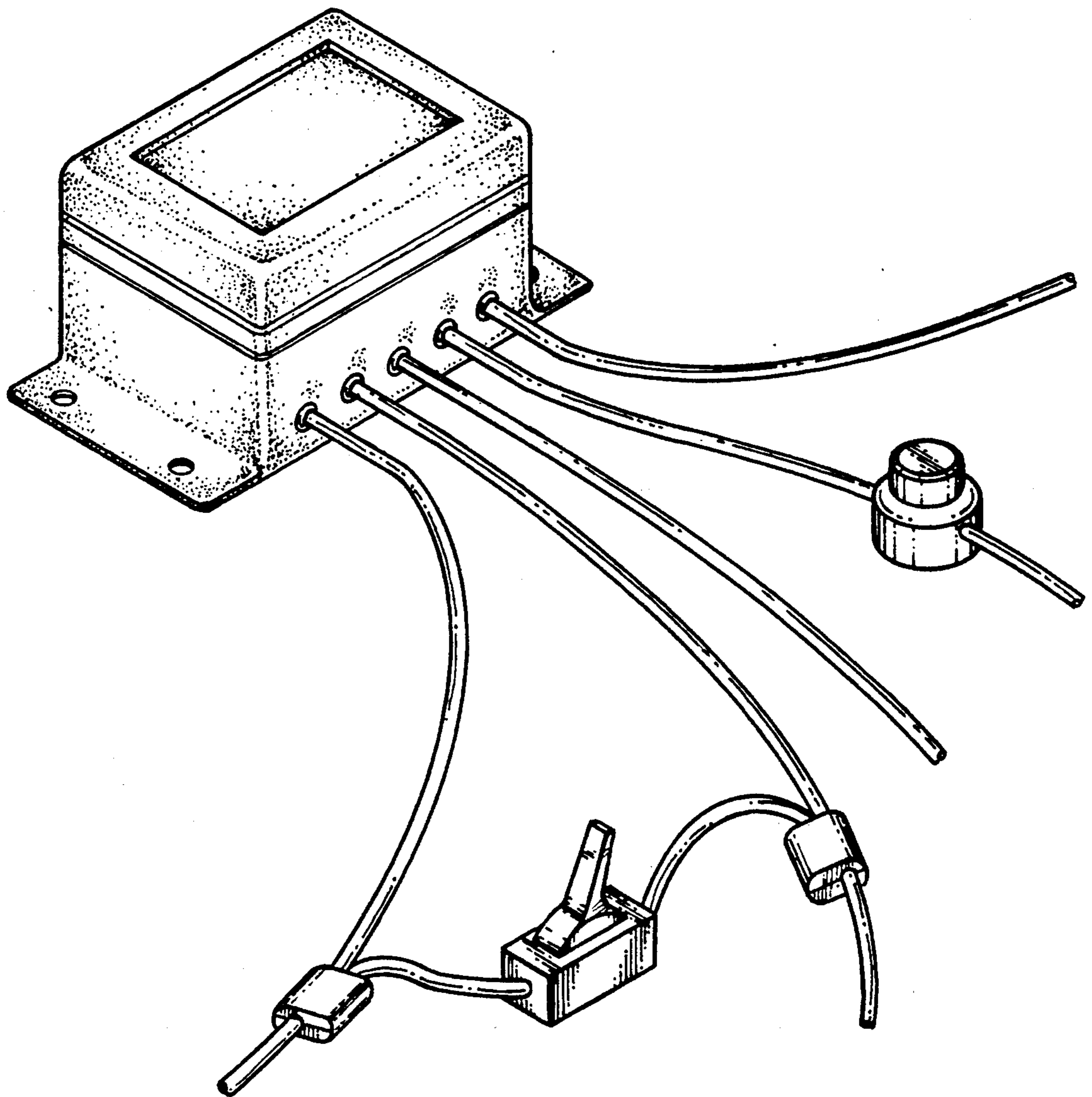


FIG. 1



FIG. 2

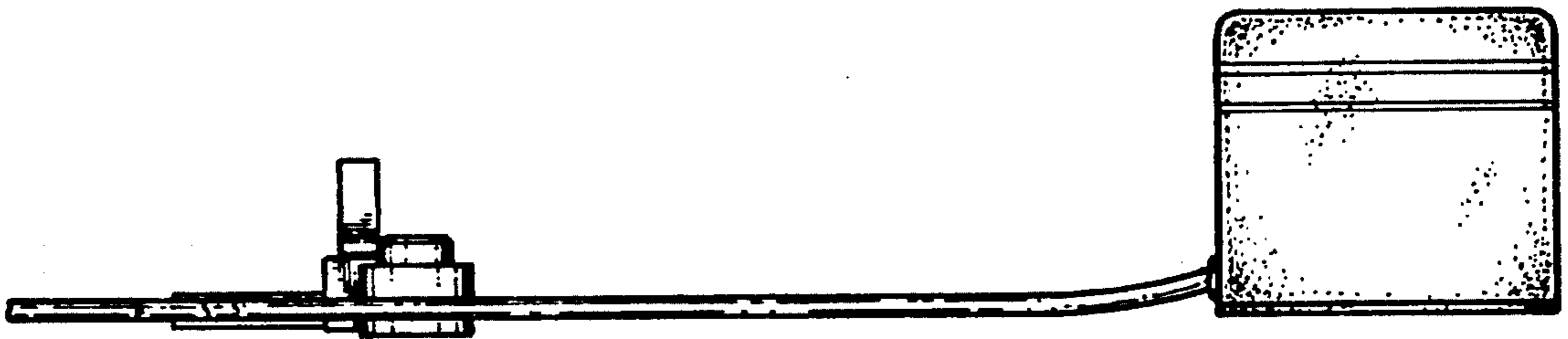


FIG. 3

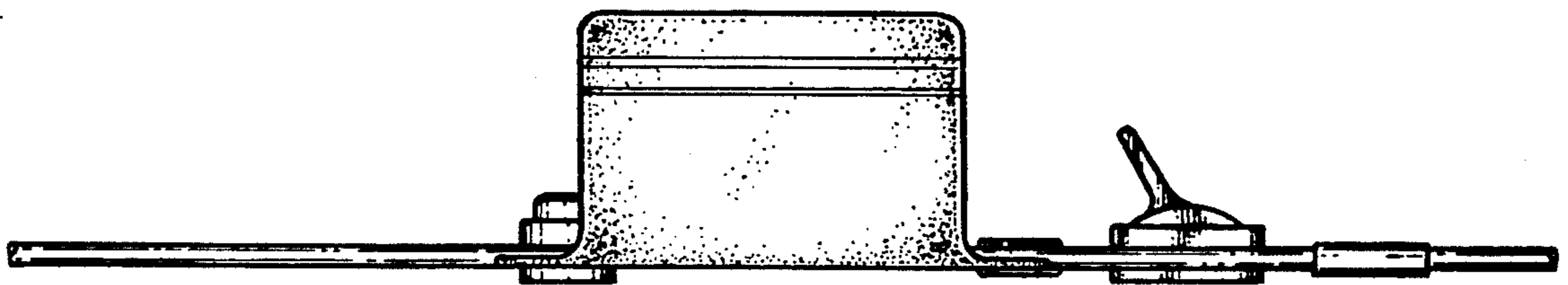


FIG. 4

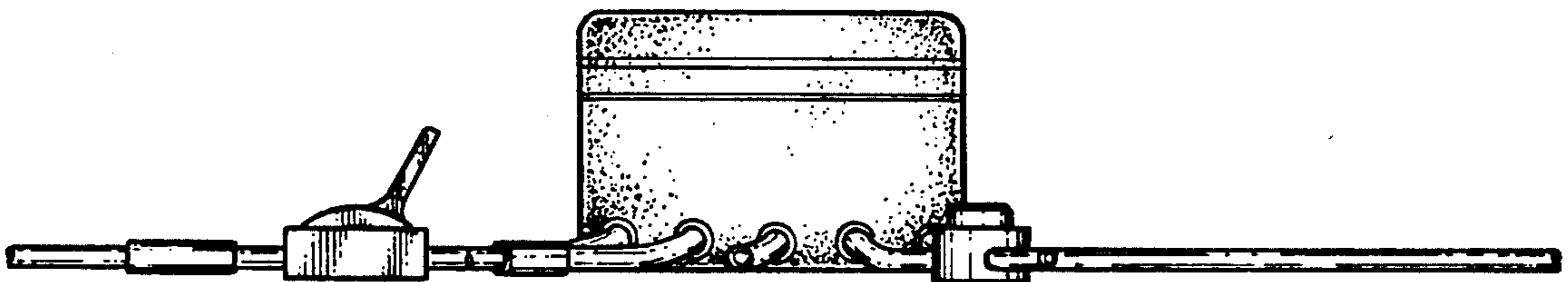


FIG. 5

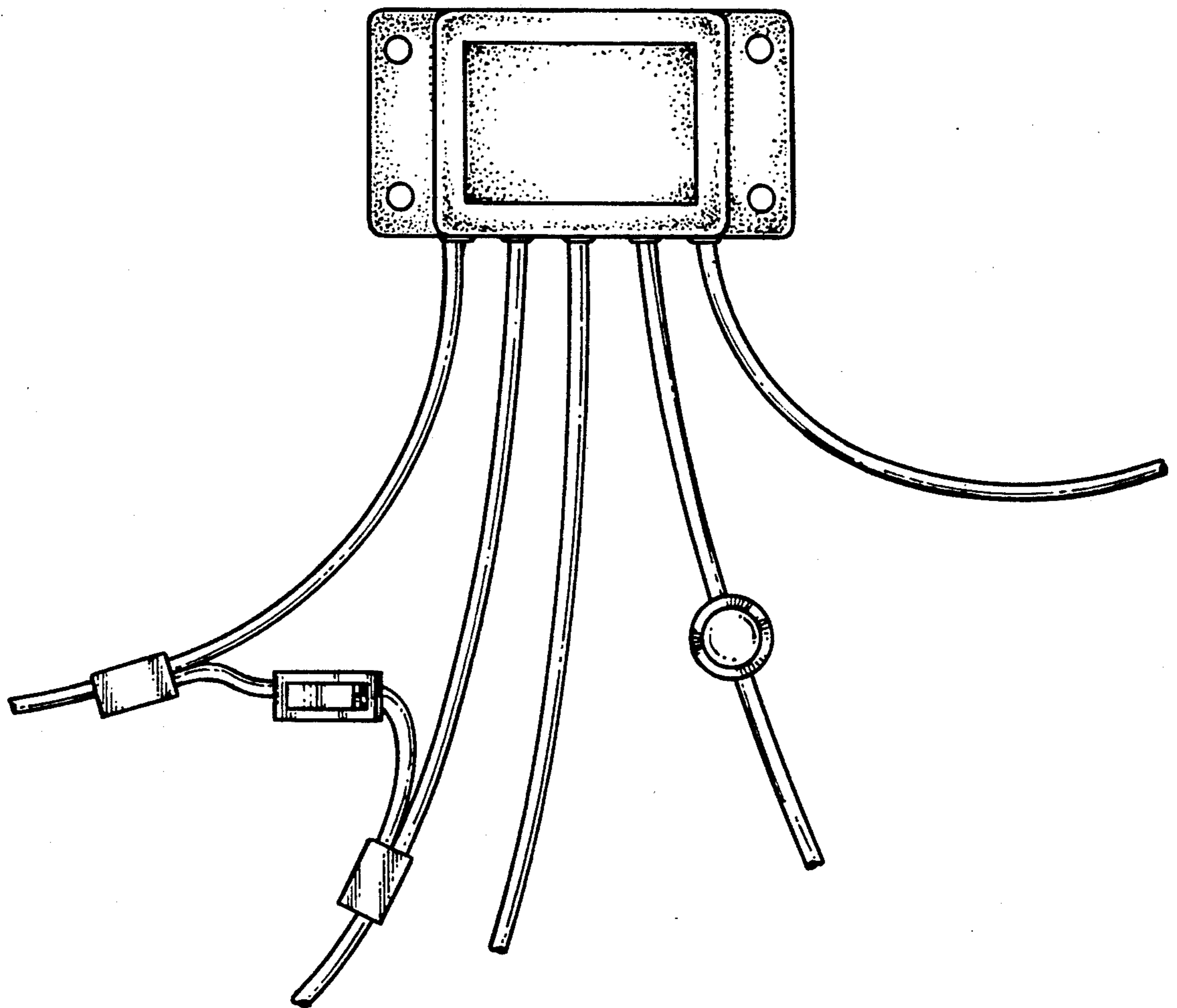


FIG. 6

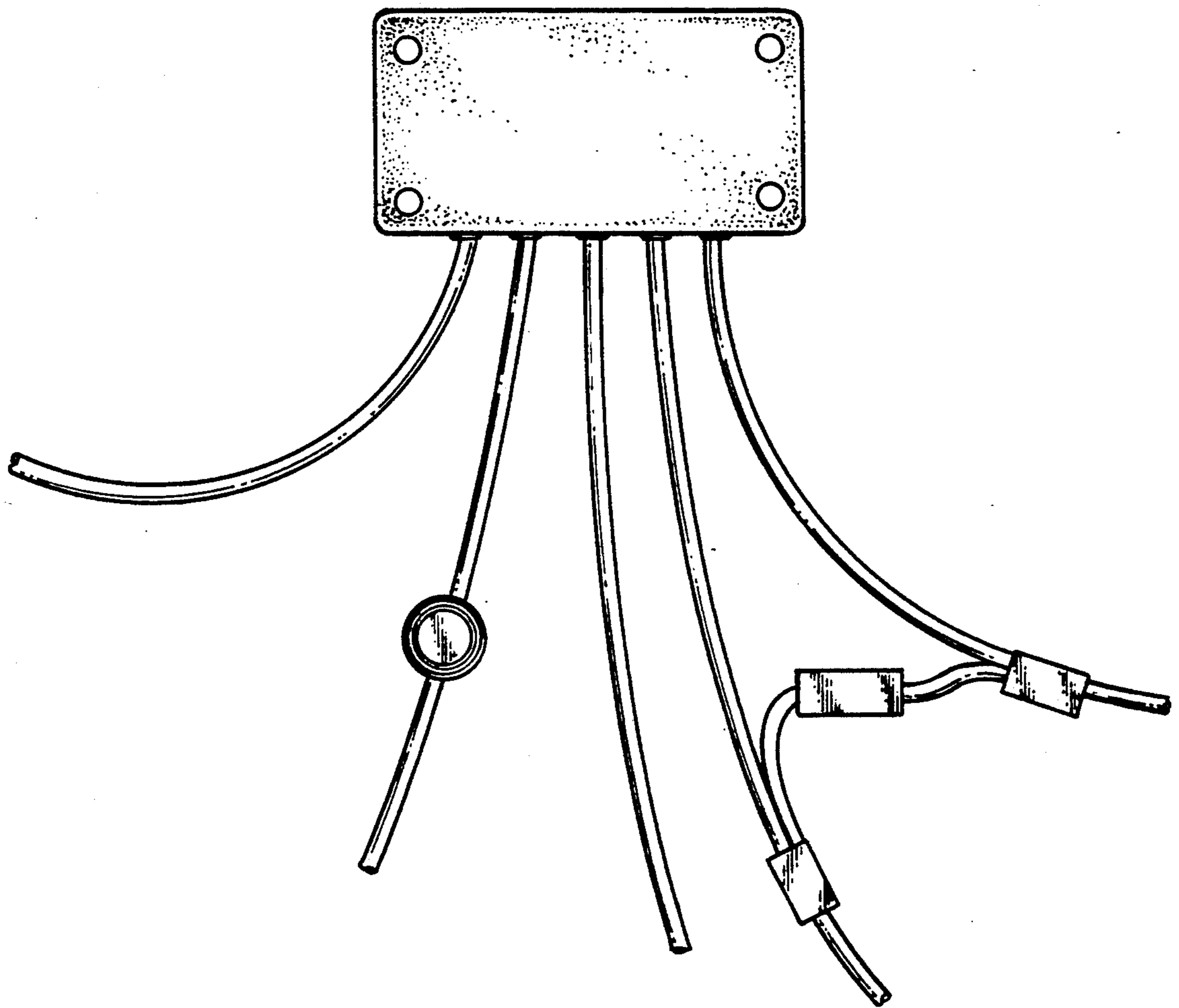


FIG. 7