



US00D333292S

United States Patent [19]

[11] Patent Number: **Des. 333,292**

DeLuca

[45] Date of Patent: **** Feb. 16, 1993**

[54] **ELECTRICAL BUS CONNECTOR HOUSING**

[75] Inventor: Carlo B. DeLuca, Birmingham, Ala.

[73] Assignee: Square D Company, Palatine, Ill.

[**] Term: 14 Years

[21] Appl. No.: 702,191

[22] Filed: May 14, 1991

[52] U.S. Cl. D13/146

[58] Field of Search D13/147, 160; 439/212, 439/251, 521, 651, 709, 732; 174/99 B, 138 F, 149 B

[56] **References Cited**

U.S. PATENT DOCUMENTS

- D. 219,656 1/1971 Stanley 174/138 F X
- D. 227,475 6/1973 Netzel D13/160
- 3,467,768 9/1969 Shorey 439/521 X
- 3,646,250 2/1972 Estes 174/138 F
- 3,874,760 4/1975 Guthmiller et al. 439/732 X
- 4,386,820 6/1983 Dola et al. 439/651

FOREIGN PATENT DOCUMENTS

- 0873697 4/1942 France 174/138 F

OTHER PUBLICATIONS

Underground connector bar on p. 110 of *Electrical World*, Apr. 15, 1974.

Termination Components on p. 830 of *Electrical World* Sep. 1989.

Primary Examiner—Wallace R. Burke

Assistant Examiner—Joel Sincavage

Attorney, Agent, or Firm—Larry I. Golden

[57] **CLAIM**

The ornamental design for an electrical bus connector housing, as shown and described.

DESCRIPTION

FIG. 1 is a front and upper left perspective of an electrical bus connector housing showing my new design; FIG. 2 is a front elevational view thereof; FIG. 3 is a rear elevational view thereof; FIG. 4 is a top plan view thereof; FIG. 5 is a bottom plan view thereof; FIG. 6 is a left side elevational view thereof; FIG. 7 is a right side elevational view thereof; and, FIG. 8 is a rear and upper right perspective view thereof.

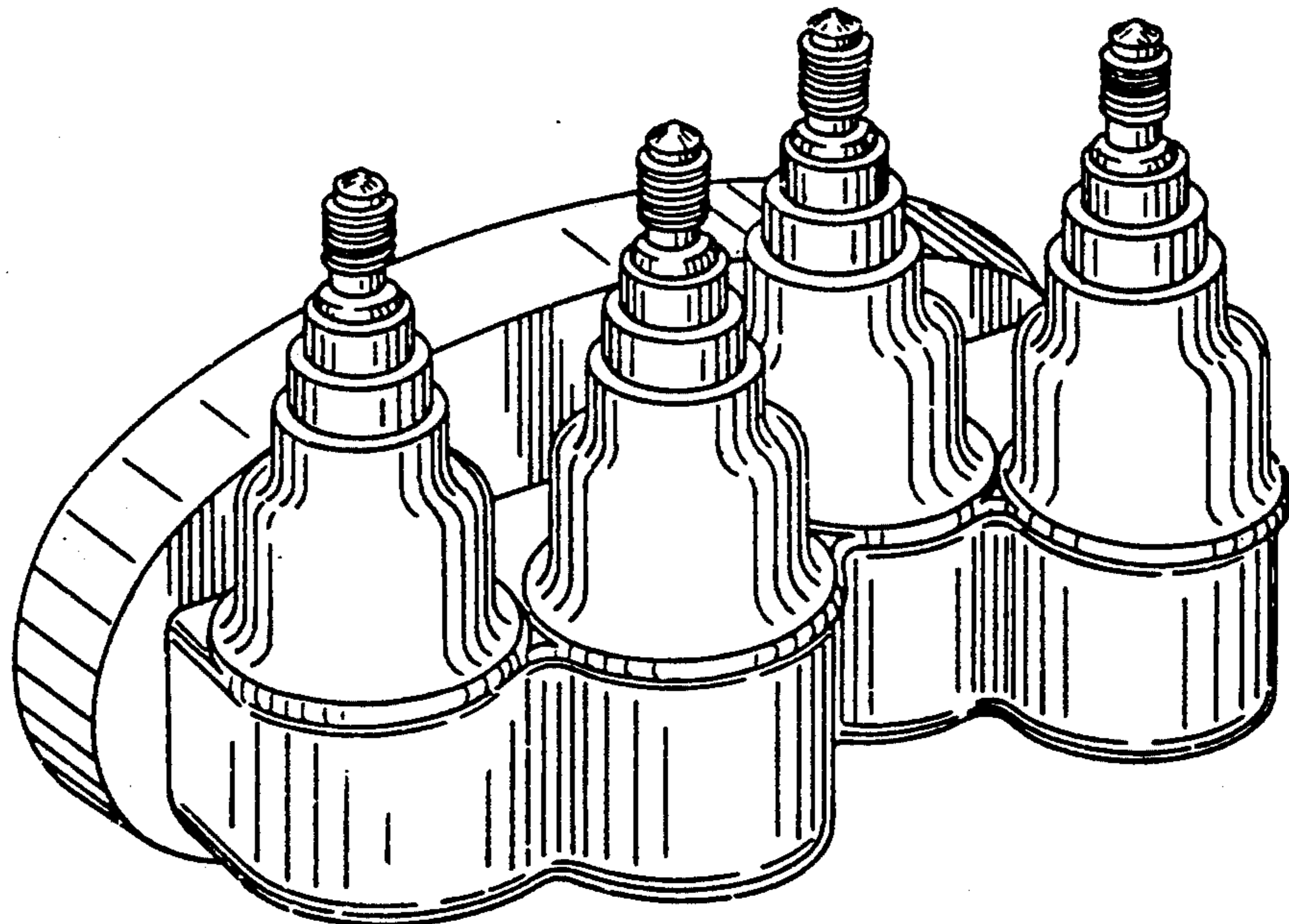


FIG. 1

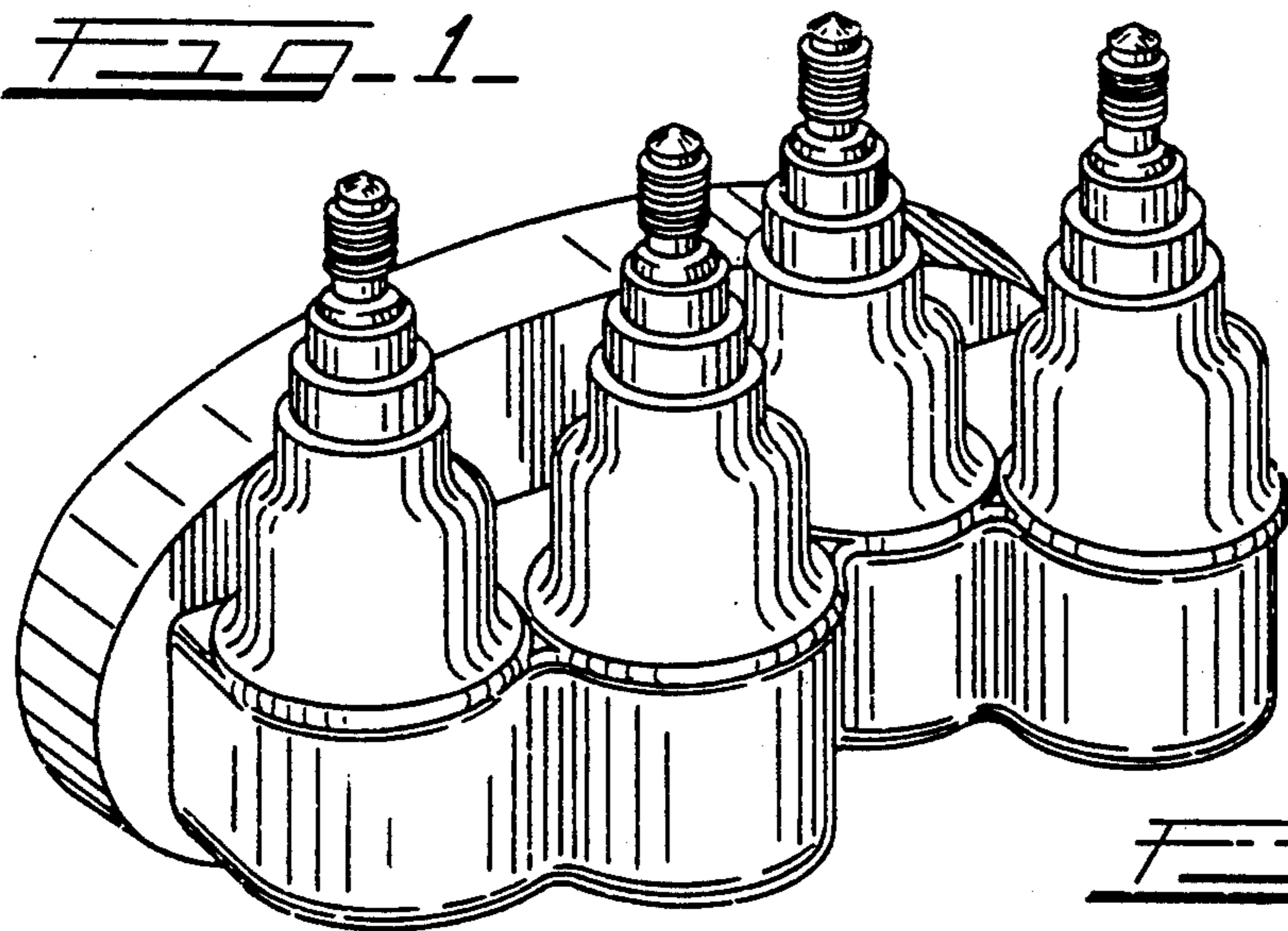


FIG. 2

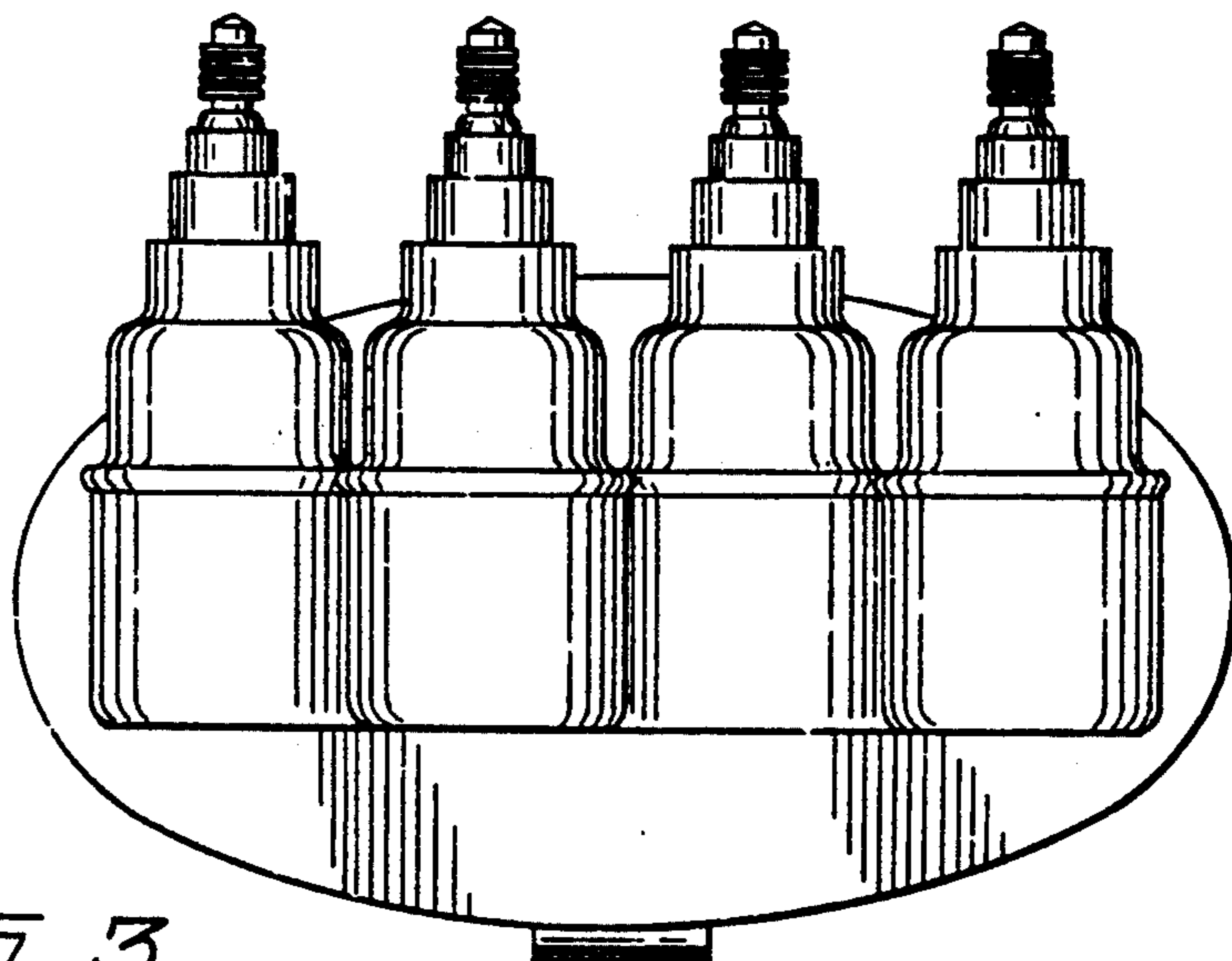


FIG. 3

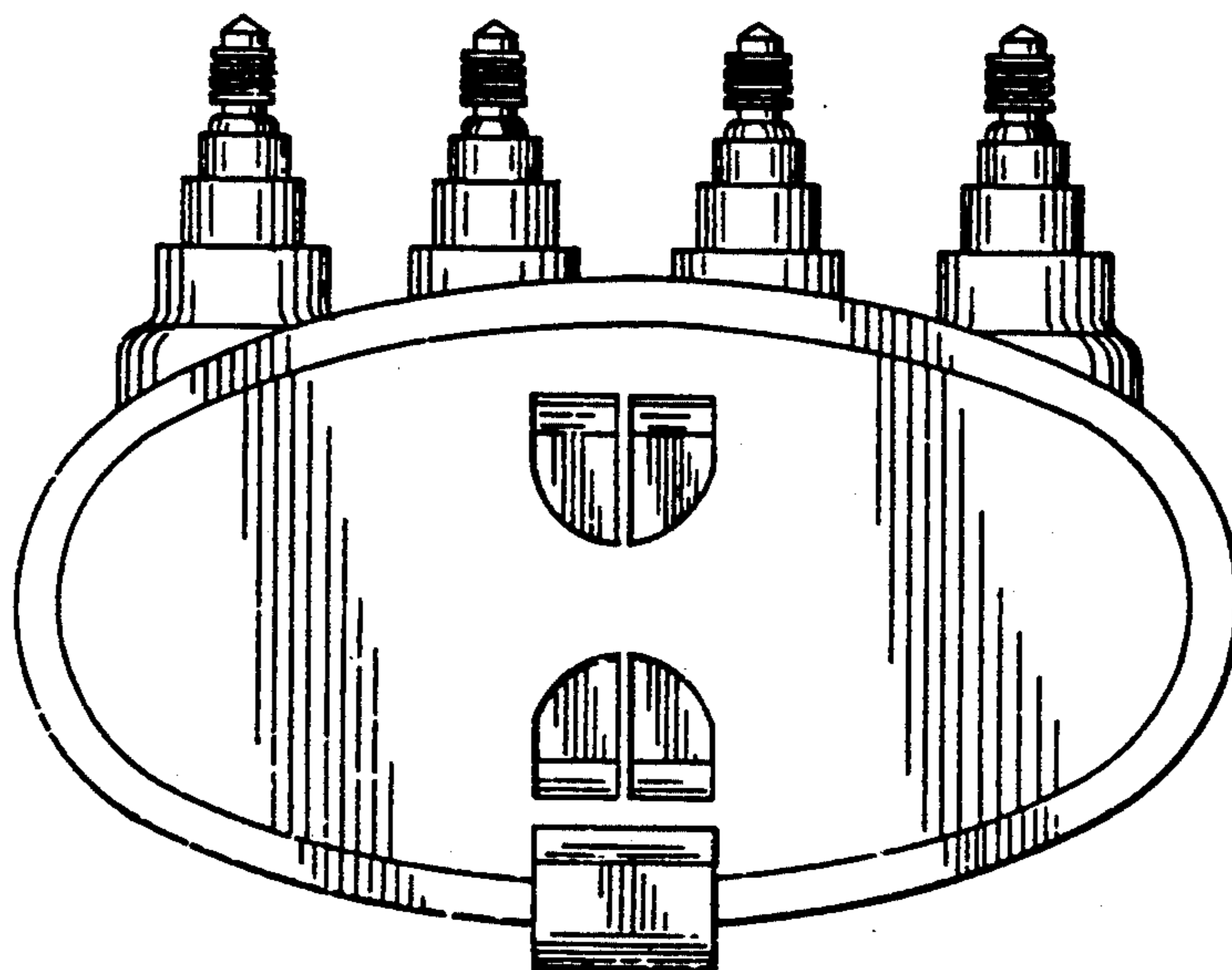


FIG. 4

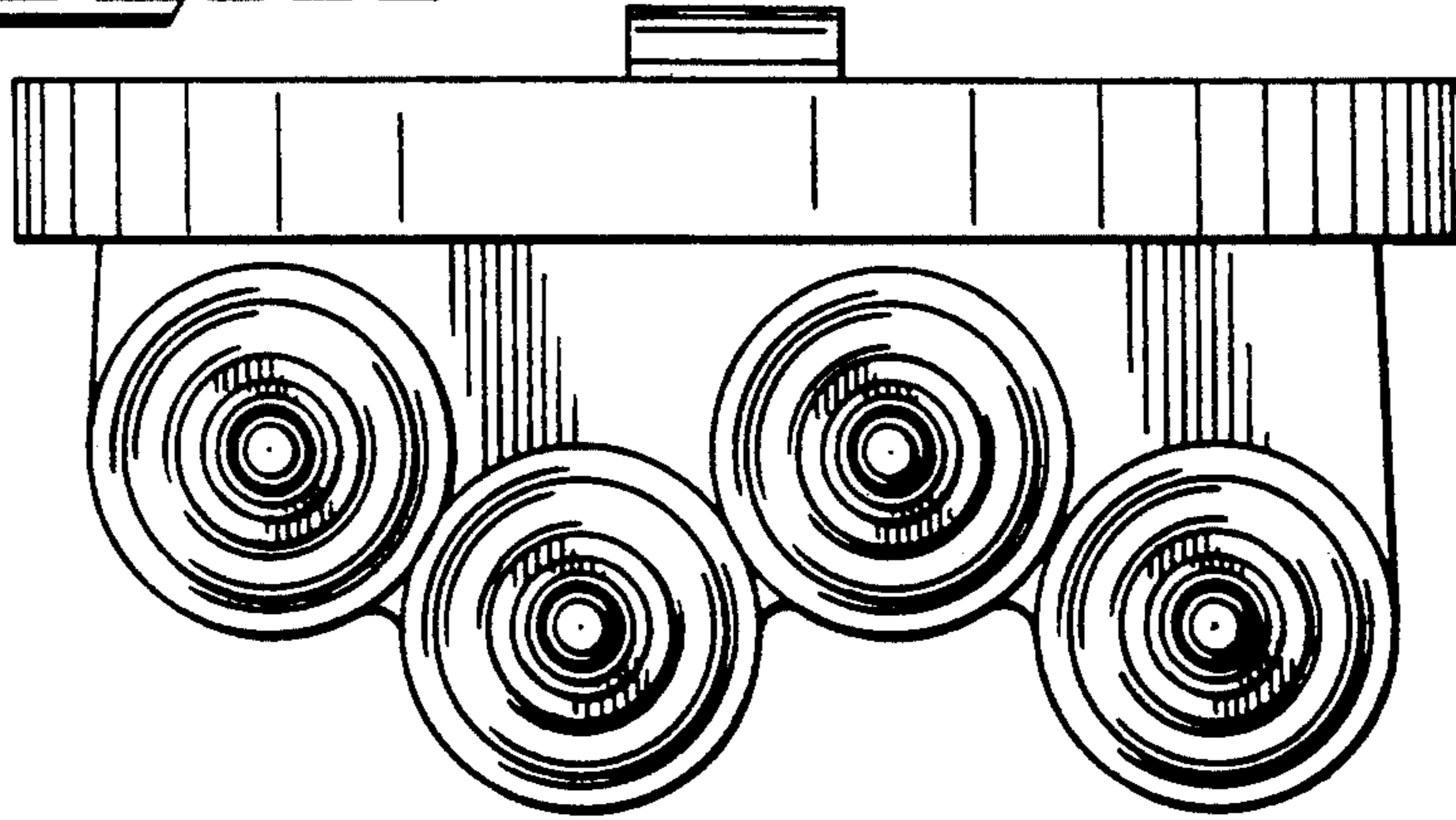


FIG. 5

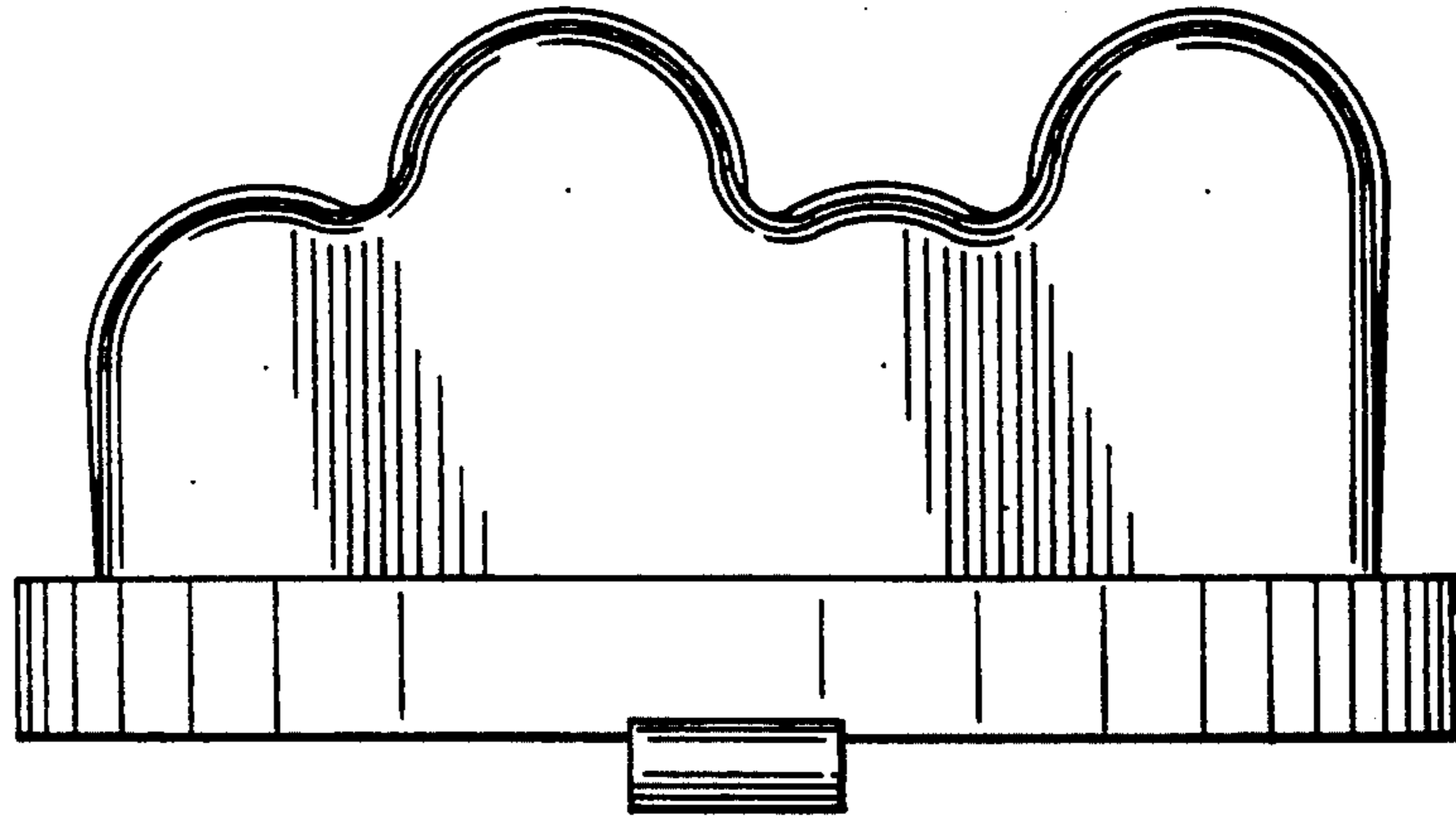


FIG. 6

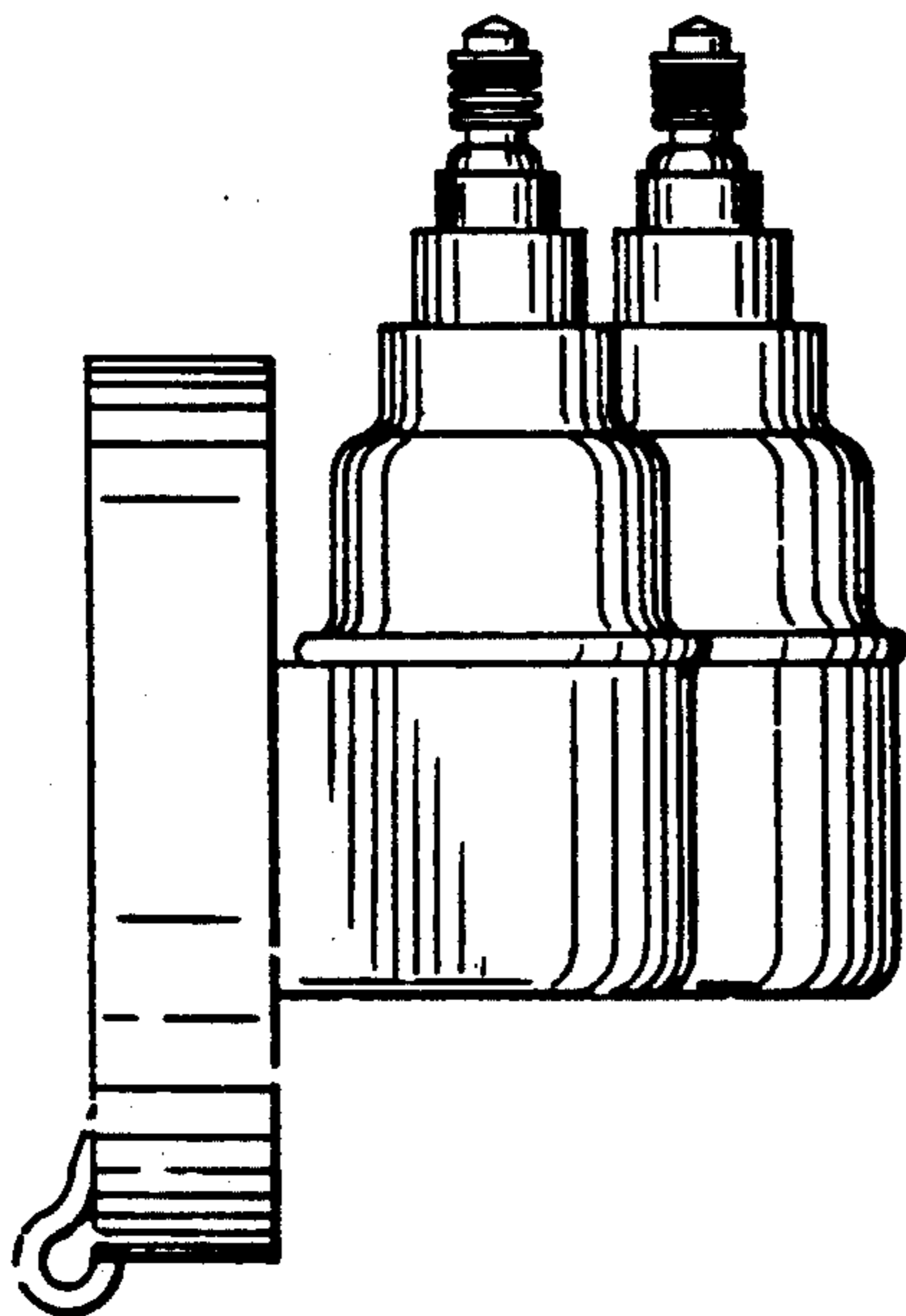


FIG. 7

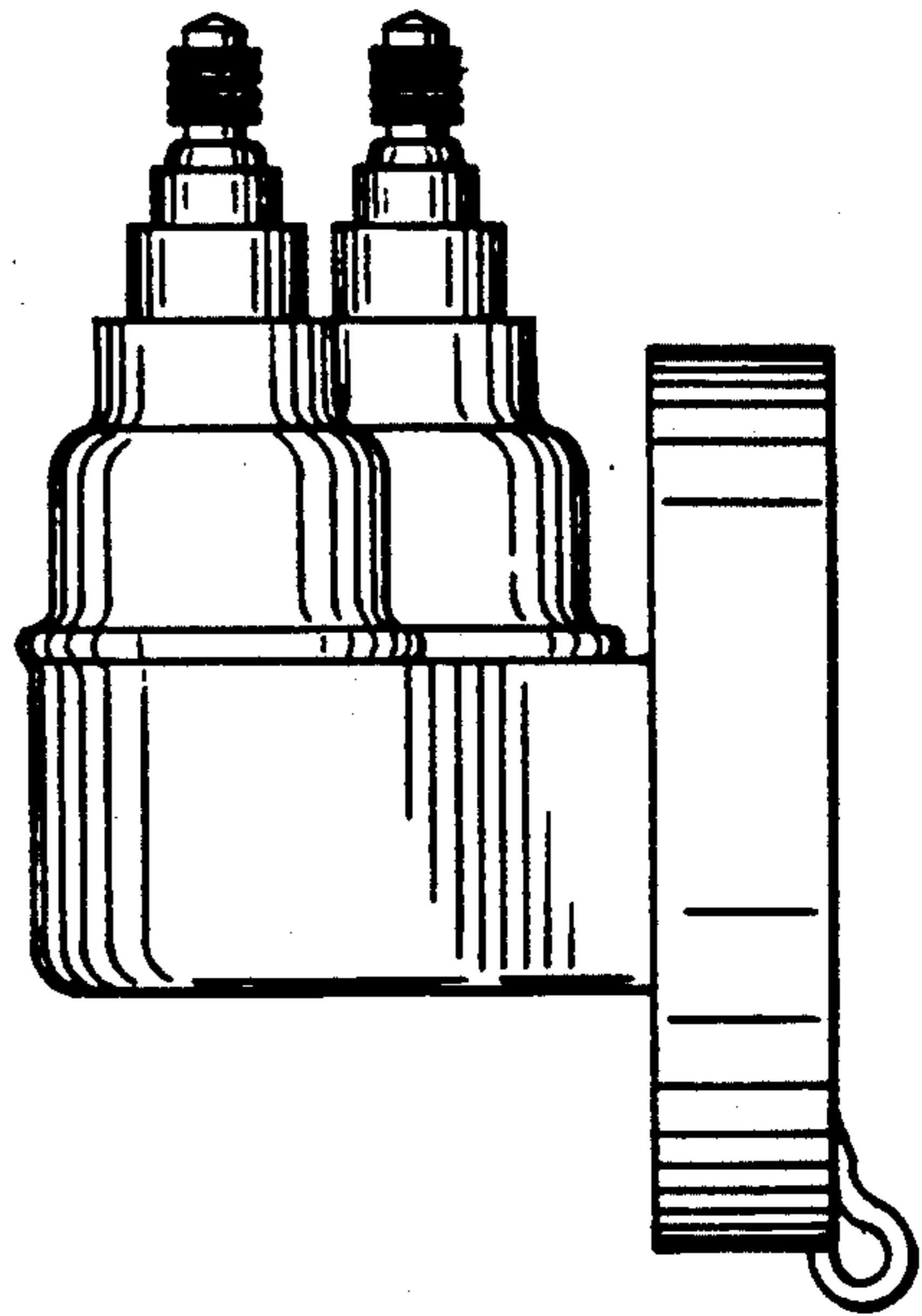


FIG. 8

