



US00D333276S

United States Patent [19]
Donn

[11] **Patent Number: Des. 333,276**
[45] **Date of Patent: ** Feb. 16, 1993**

[54] **SURVEYING INSTRUMENT**
[75] **Inventor: Volker Donn, Königsbronn, Fed. Rep. of Germany**
[73] **Assignee: Carl-Zeiss-Stiftung, Heidenheim/Brenz, Oberkochen, Fed. Rep. of Germany**
[**] **Term: 14 Years**
[21] **Appl. No.: 548,759**
[22] **Filed: Jul. 5, 1990**

2,774,275 12/1986 Keller 356/138

OTHER PUBLICATIONS

Keuffel & Esser Co., Automatic Self-leveling level Ni2, Sep. 1955, cover page.

Primary Examiner—Alan P. Douglas
Assistant Examiner—Antoine F. Davis
Attorney, Agent, or Firm—Hopgood, Calimafde, Kalil, Blaustein & Judlowe

[30] **Foreign Application Priority Data**

Jan. 22, 1990 [DE] Fed. Rep. of Germany 9000370
[52] **U.S. Cl. D10/66**
[58] **Field of Search D10/62, 65, 66, 103; 33/290, 291-299; 356/138-155**

[57] **CLAIM**

The ornamental design for a surveying instrument, as shown and described.

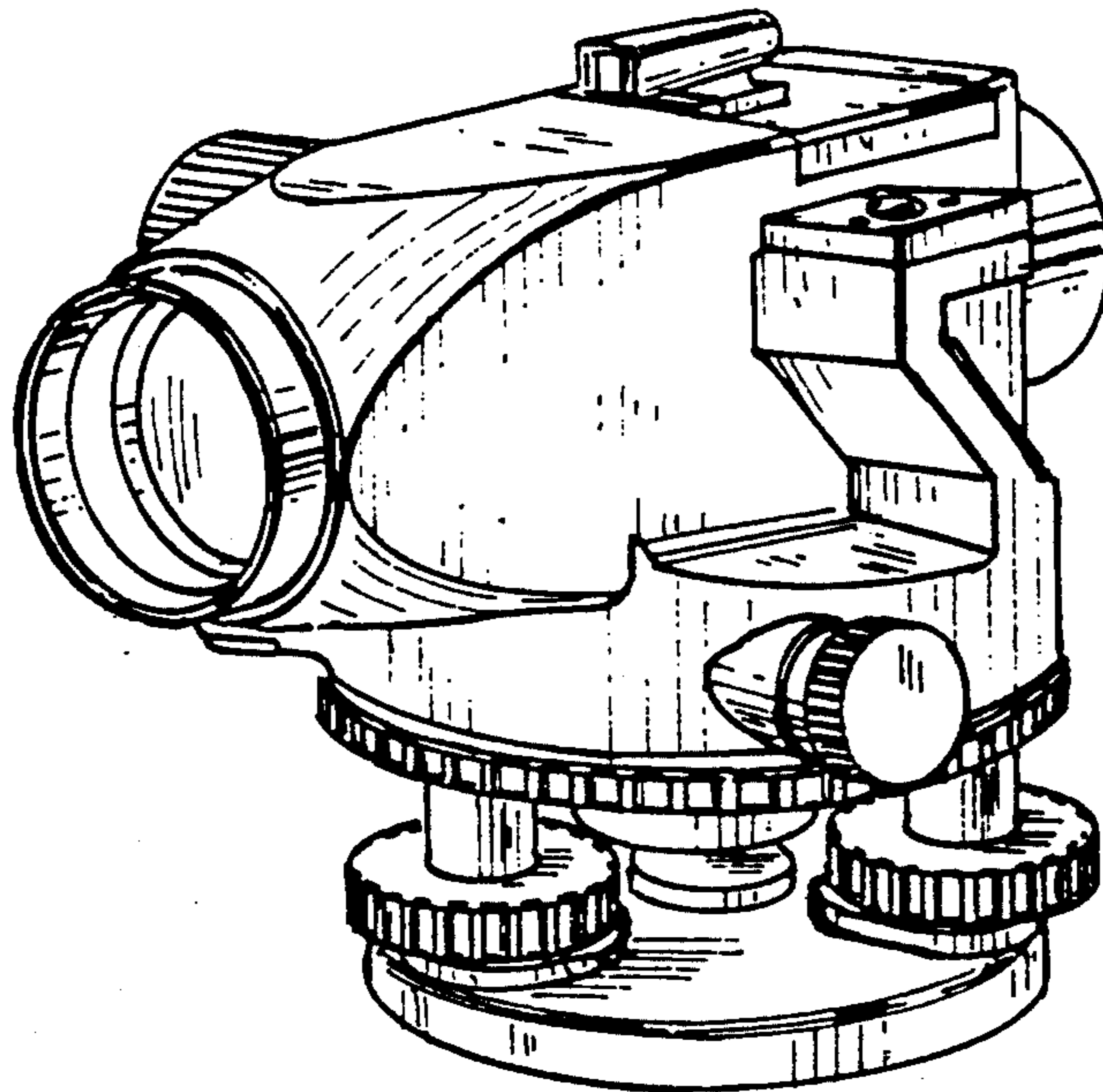
DESCRIPTION

FIG. 1 is a front perspective view of a surveying instrument, showing my new design;
FIG. 2 is a rear perspective view thereof;
FIG. 3 is a rear elevational view thereof;
FIG. 4 is a front elevational view thereof;
FIG. 5 is a top plan view thereof;
FIG. 6 is a right side elevational view thereof;
FIG. 7 is a bottom plan view thereof; and,
FIG. 8 is a left side elevational plan view thereof.

[56] **References Cited**

U.S. PATENT DOCUMENTS

D. 252,918 9/1979 Kooi D10/66
D. 268,910 5/1983 Shipp et al. D10/66 X
D. 270,816 10/1983 Hays, Jr. et al. D10/66 X



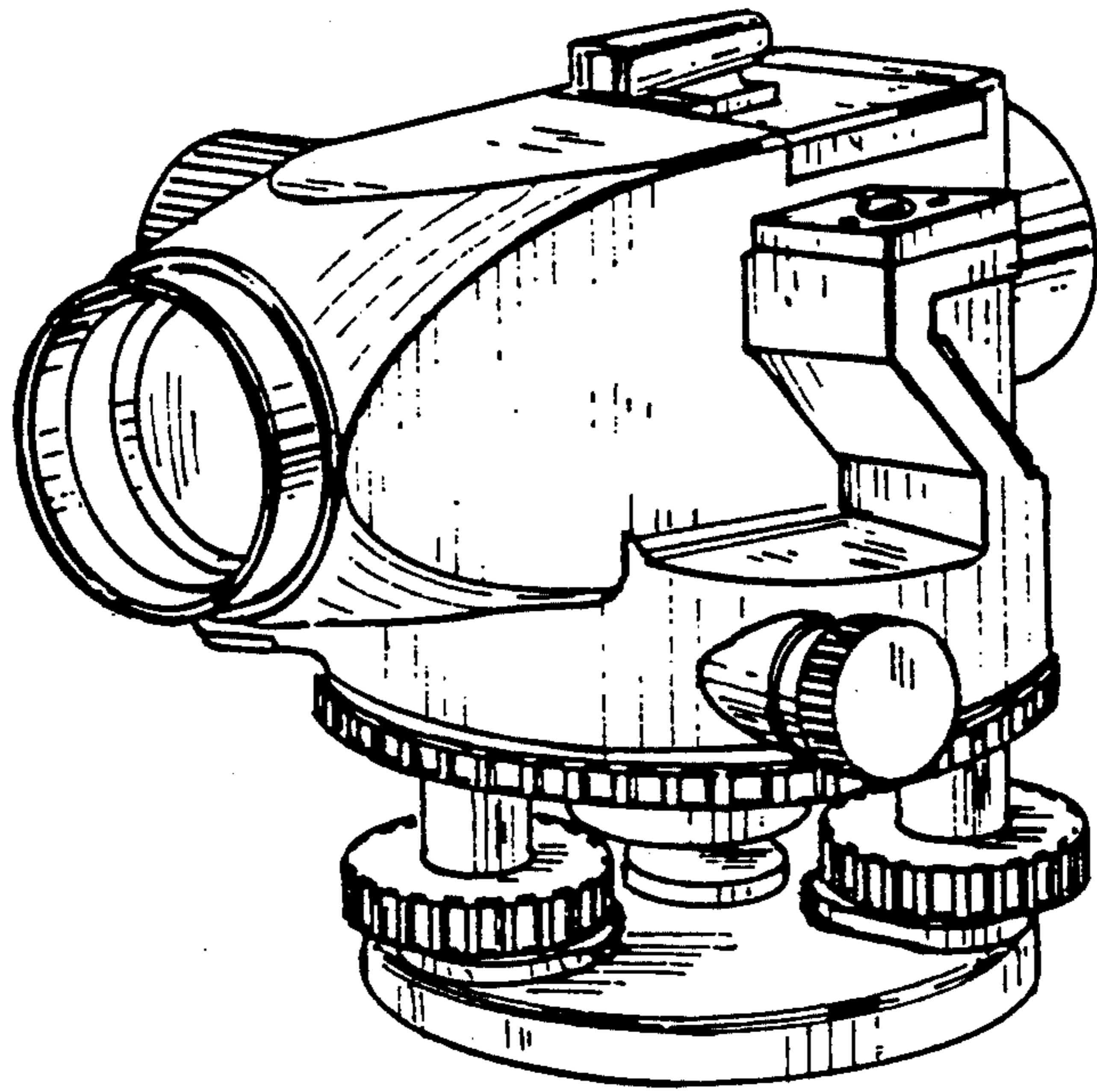


Fig. 1

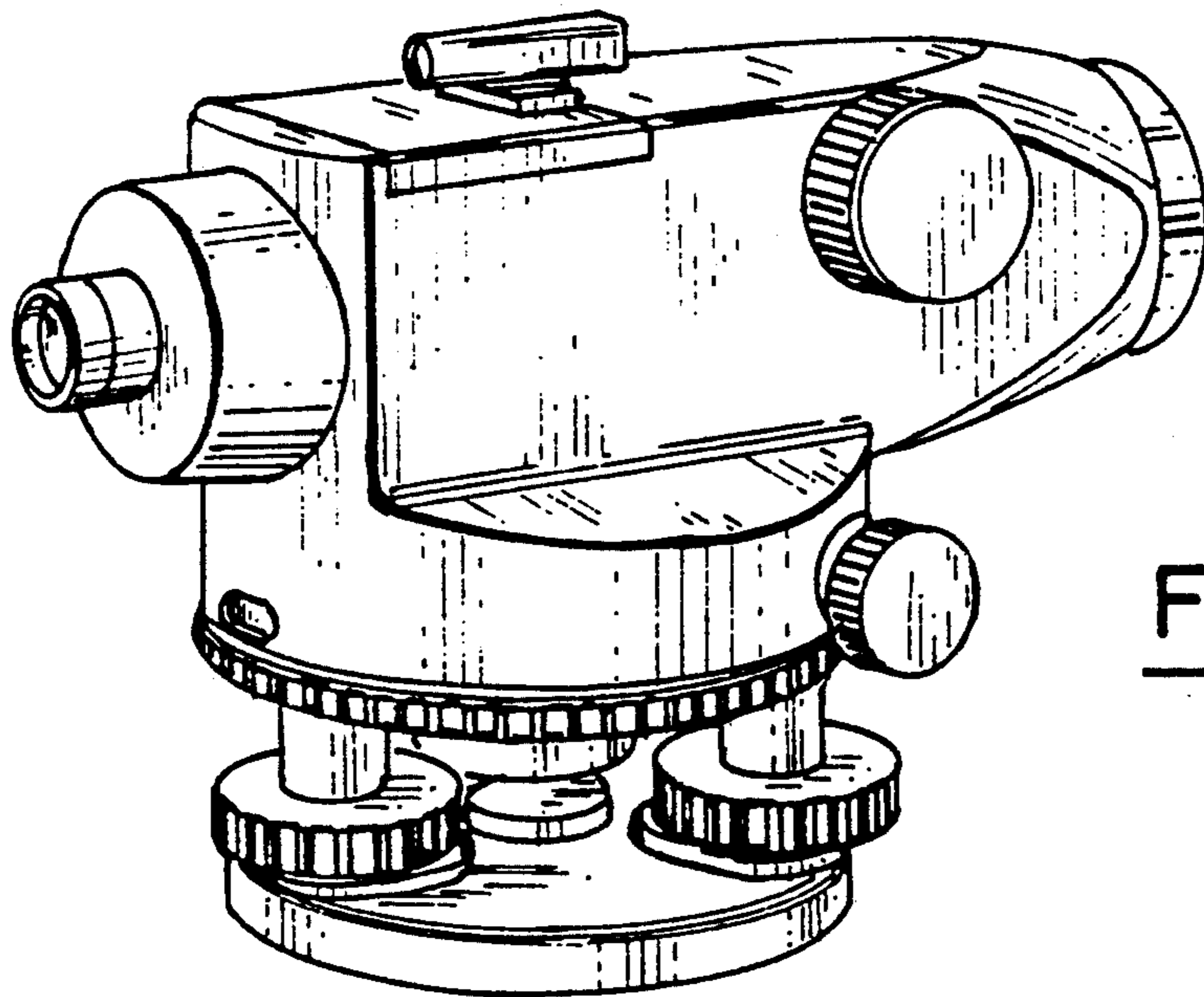


Fig. 2

Fig. 3

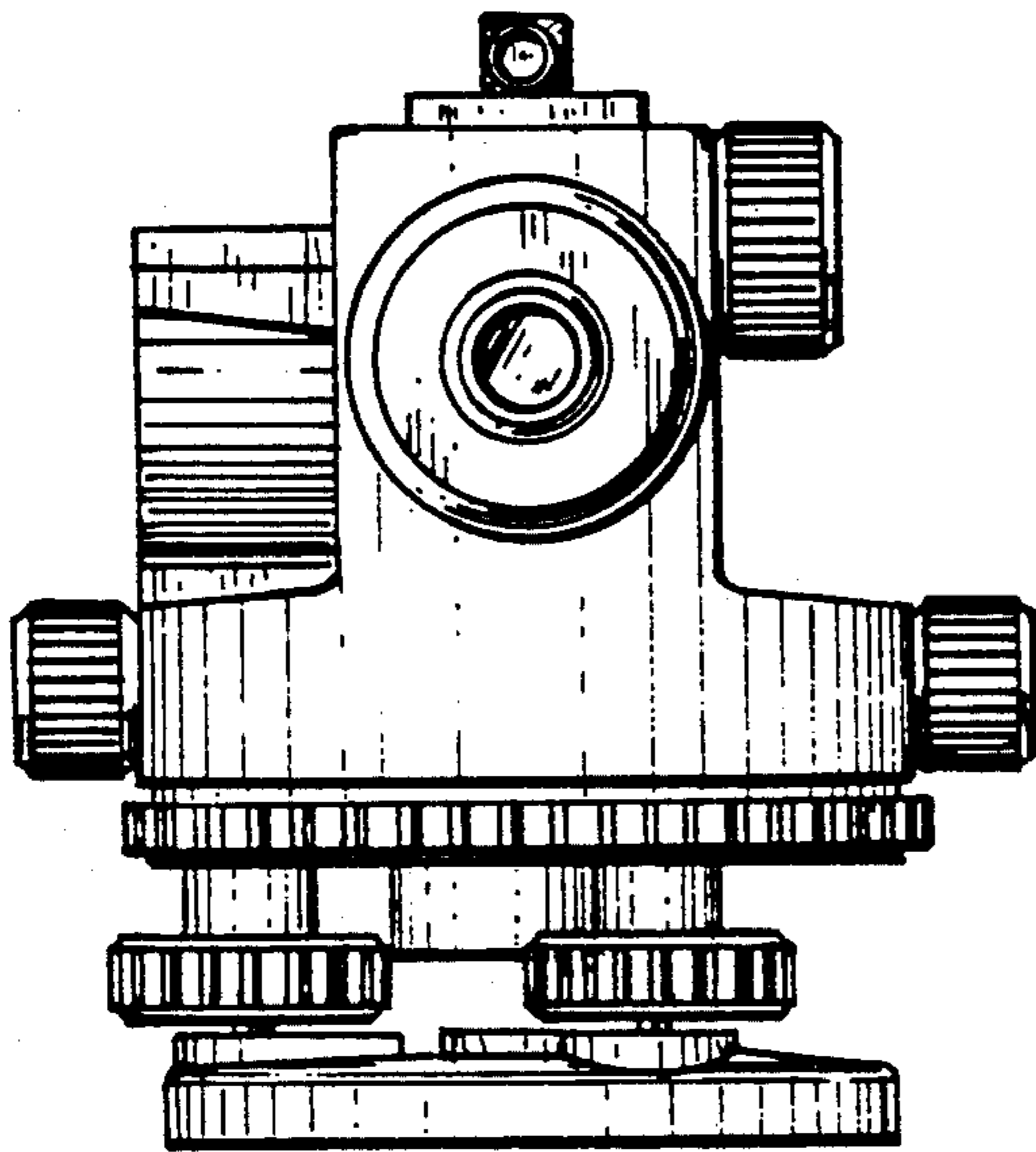


Fig. 4

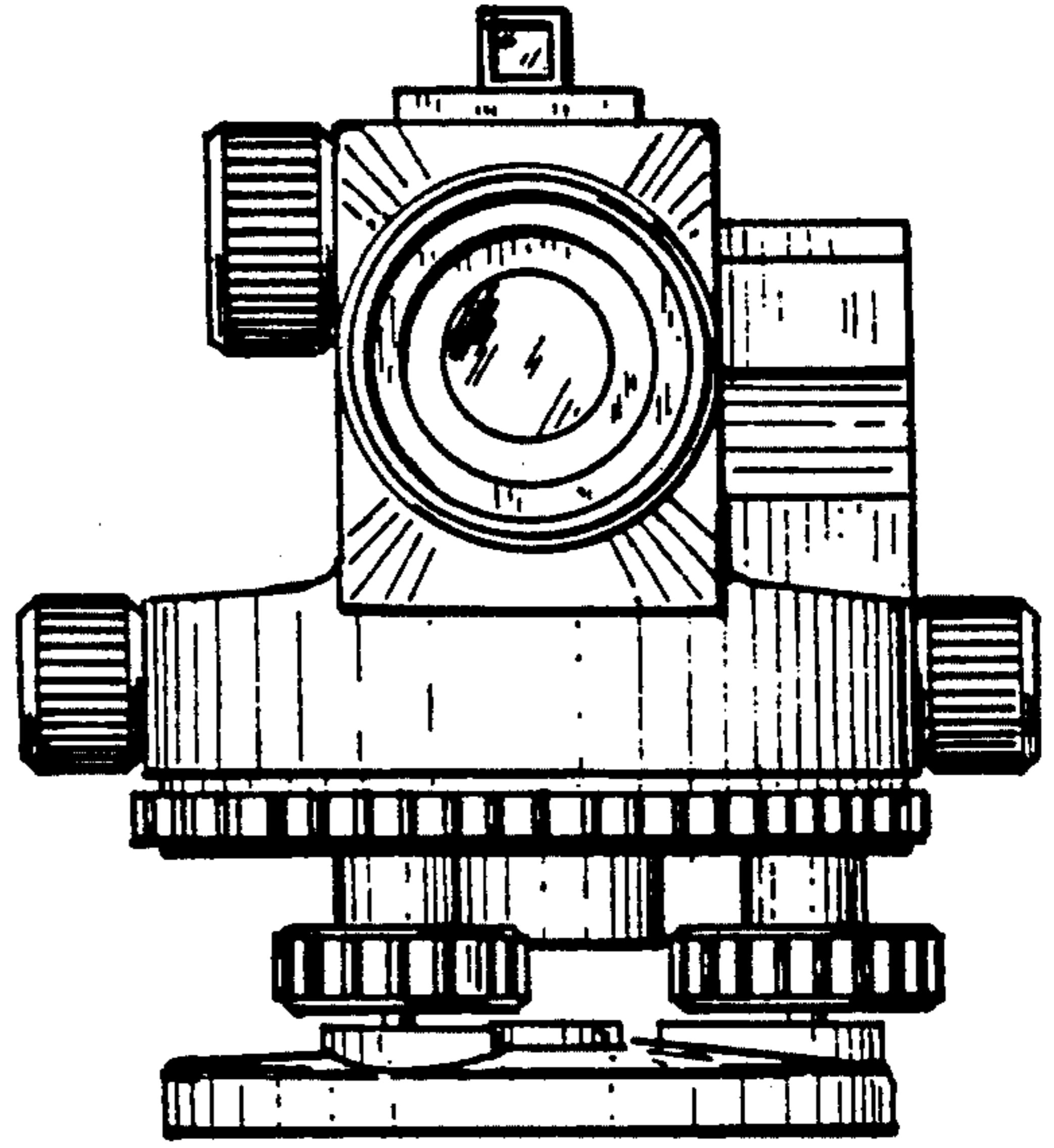
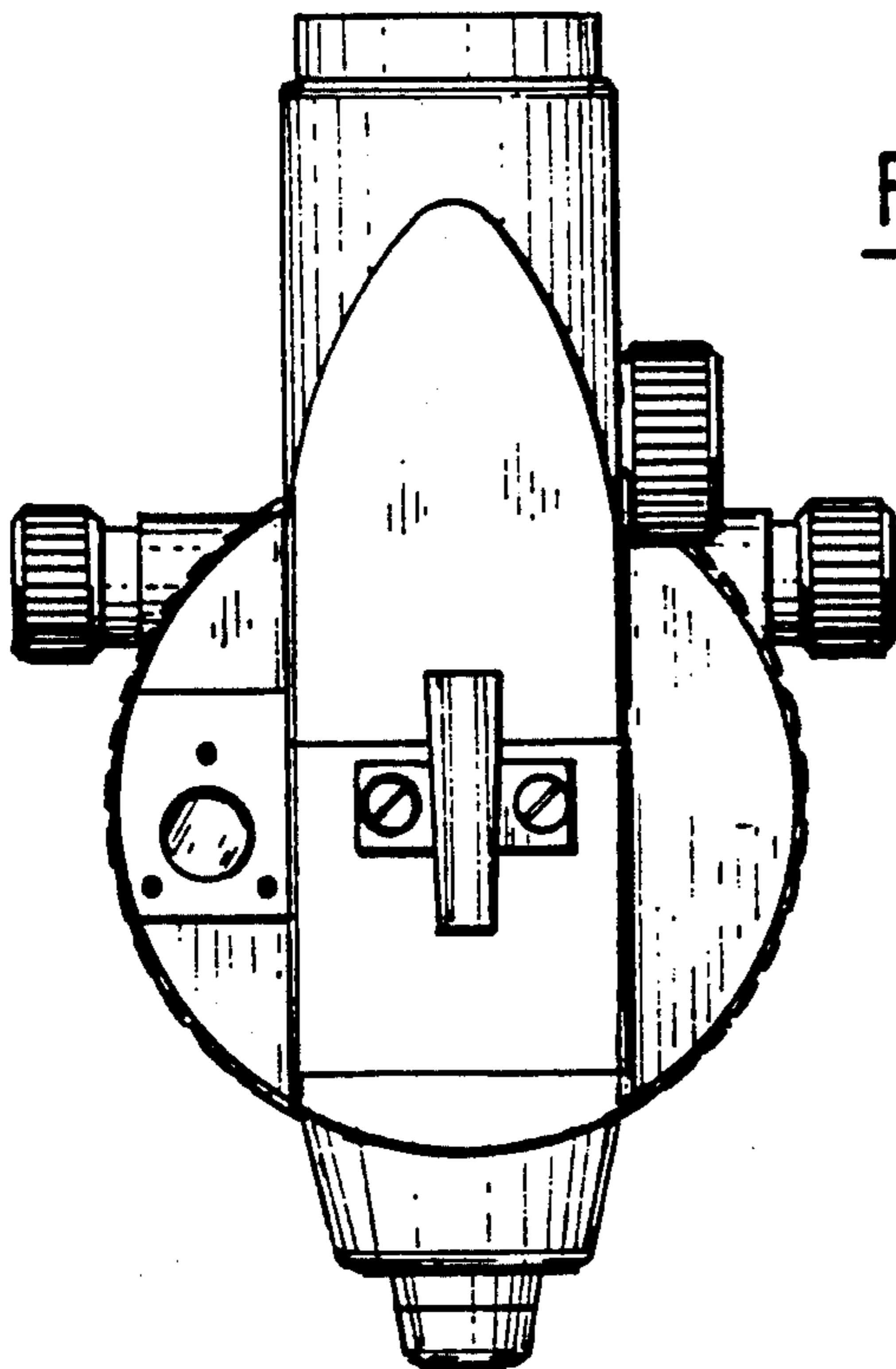


Fig. 5



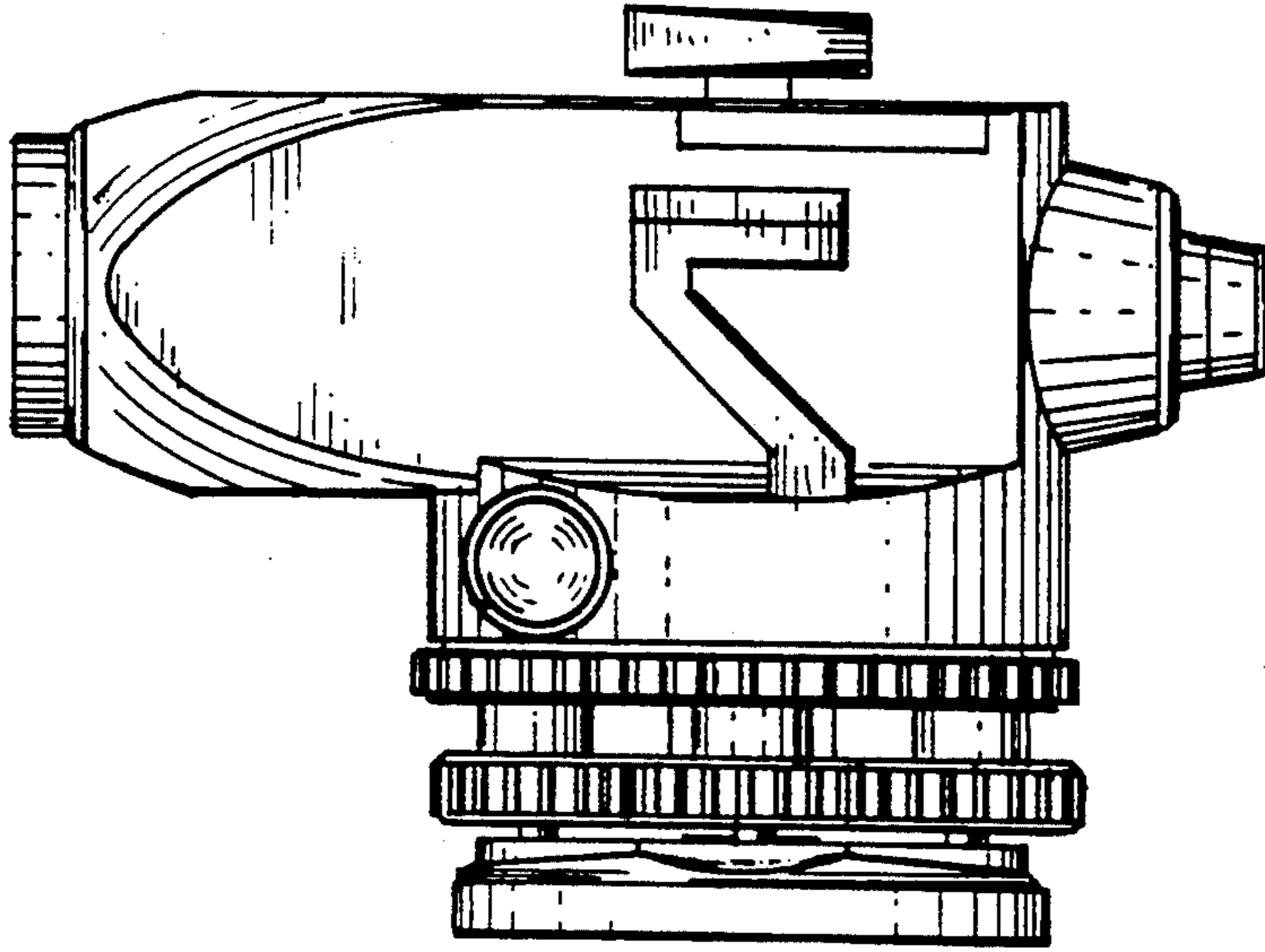


Fig. 6

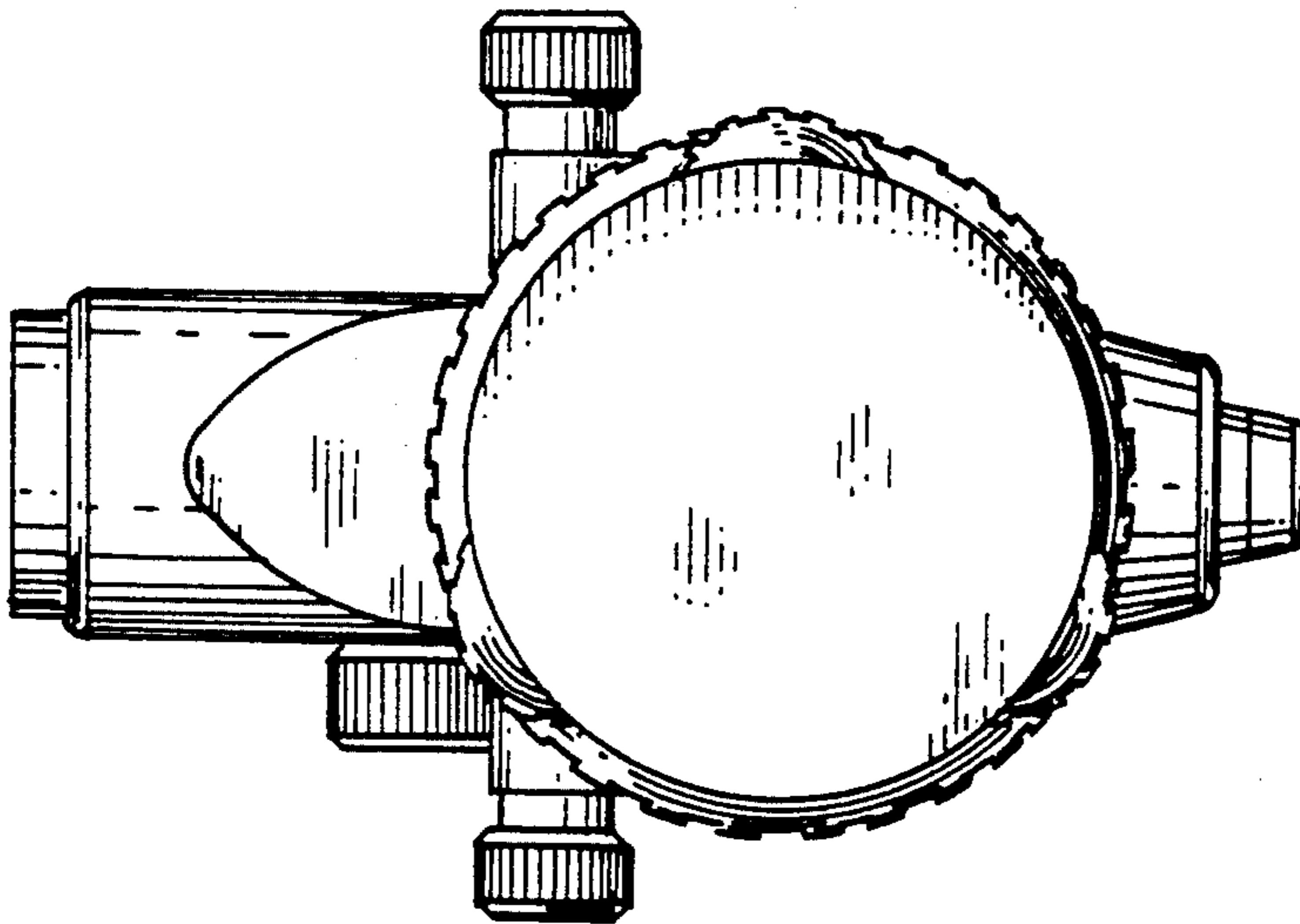


Fig. 7

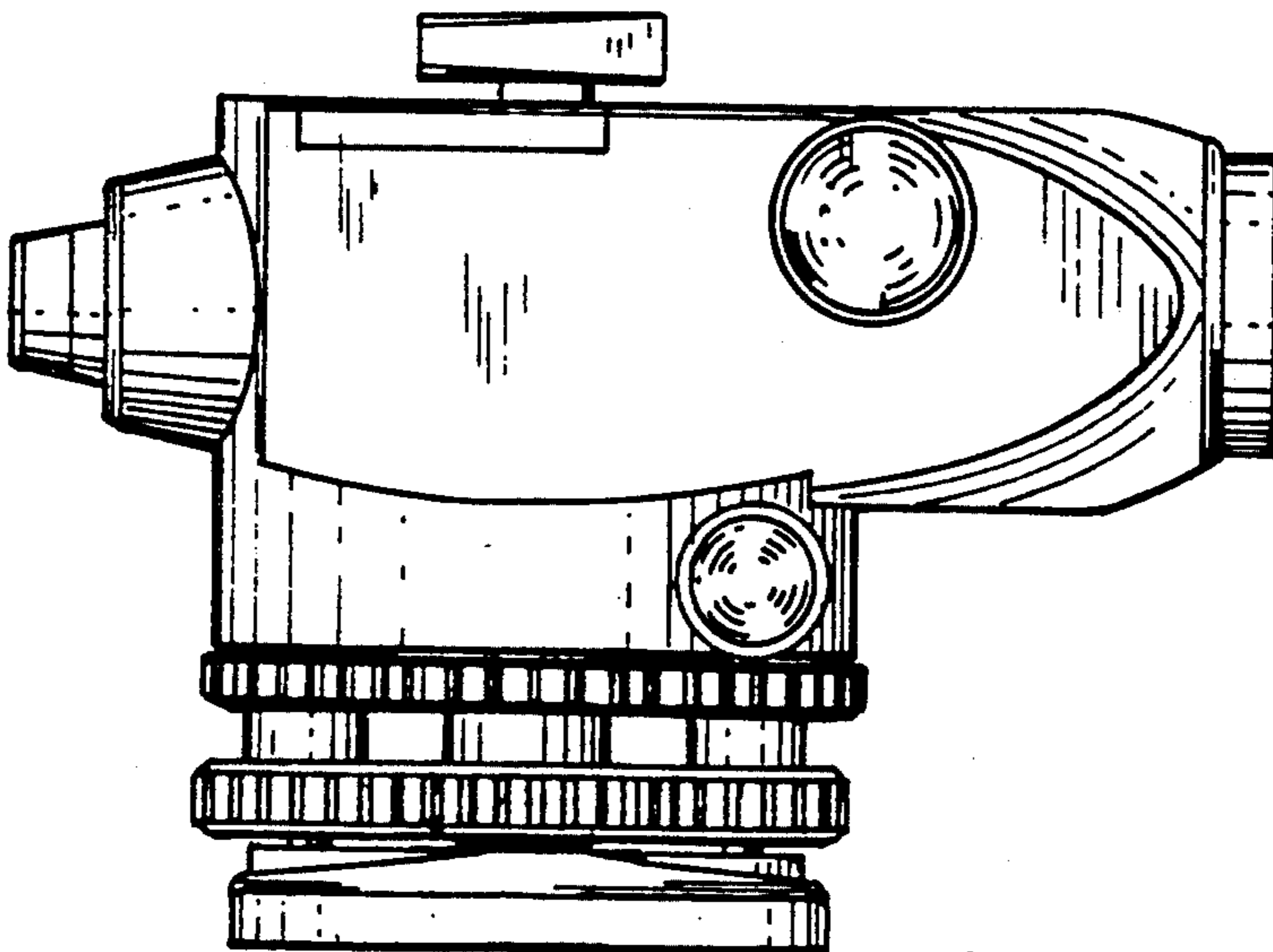


Fig. 8