



US00D333271S

United States Patent [19]

Erlichman

[11] Patent Number: **Des. 333,271**

[45] Date of Patent: **** Feb. 16, 1993**

[54] **COMBINED CLOCK AND PICTURE FRAME**

[56] **References Cited**

[75] Inventor: **Janusz Erlichman, Lantau Island, Hong Kong**

U.S. PATENT DOCUMENTS

D. 102,515	12/1936	Van Bloem	D10/2
D. 264,823	6/1982	Satoh	D10/15
D. 309,574	7/1990	Mayuzumi	D10/18
D. 318,018	7/1991	Van Lelyveld	D10/18 X
4,271,618	6/1981	Lyman	D6/314 X

[73] Assignee: **Janusz Erlichman, Mt Kisco, N.Y.**

Primary Examiner—Nelson C. Holtje

[**] Term: **14 Years**

[57] **CLAIM**

The ornamental design for a combined clock and picture frame, as shown and described.

[21] Appl. No.: **576,736**

DESCRIPTION

[22] Filed: **Sep. 4, 1990**

[52] U.S. Cl. **D10/2; D10/18; D10/30**

[58] Field of Search **D10/1-40, D10/122-132; 368/10-11, 280-282, 276-277, 285; D6/300, 322, 310, 314**

FIG. 1 is a top front perspective view of a combined clock and picture frame showing my new design; FIG. 2 is a top rear perspective view of FIG. 1; FIG. 3 is a top plan view thereof in a closed position, the bottom being a mirror image; FIG. 4 is a left side elevational view of FIG. 3; and, FIG. 5 is a right side elevational view of FIG. 3.

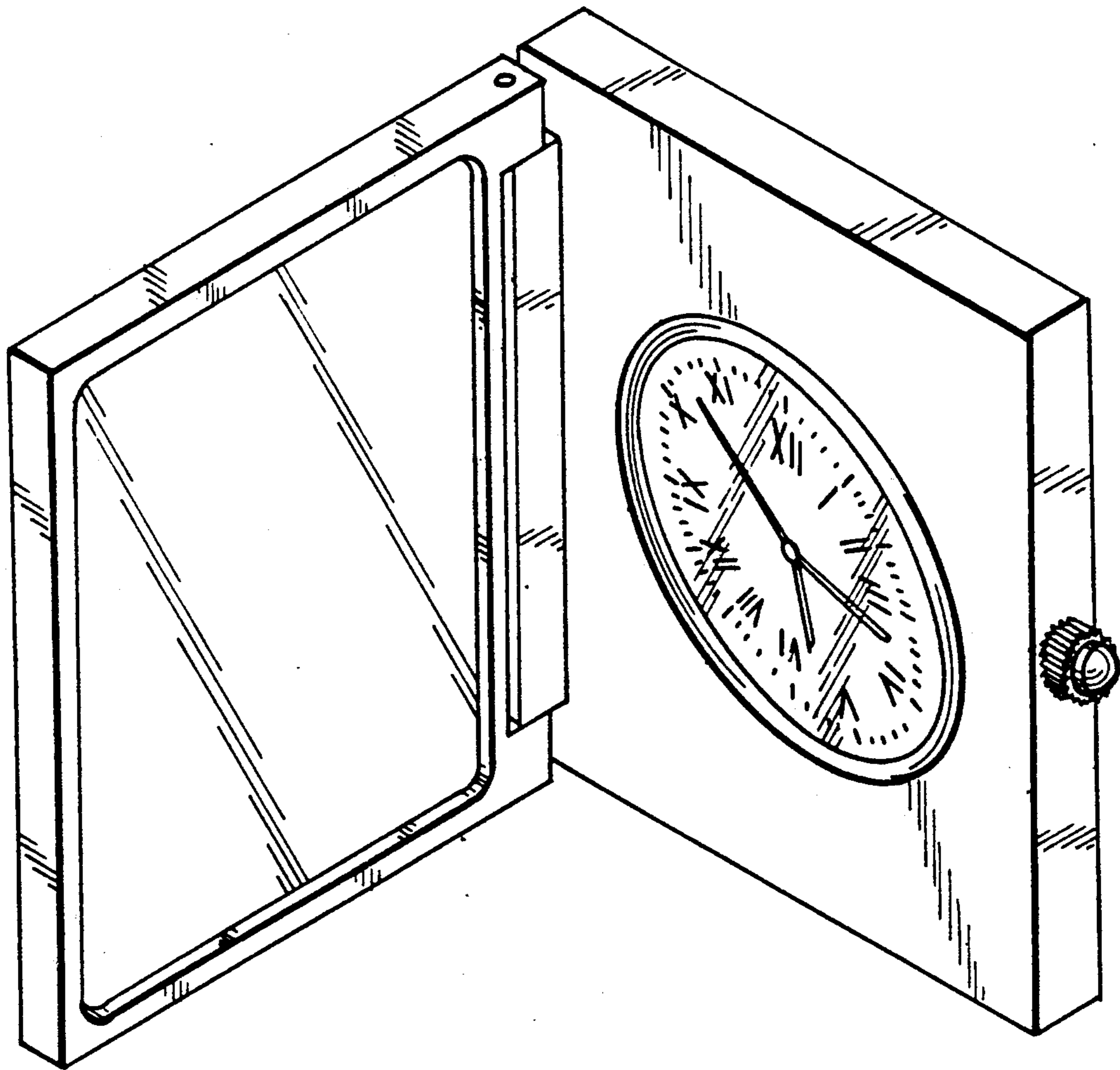


FIG. 1

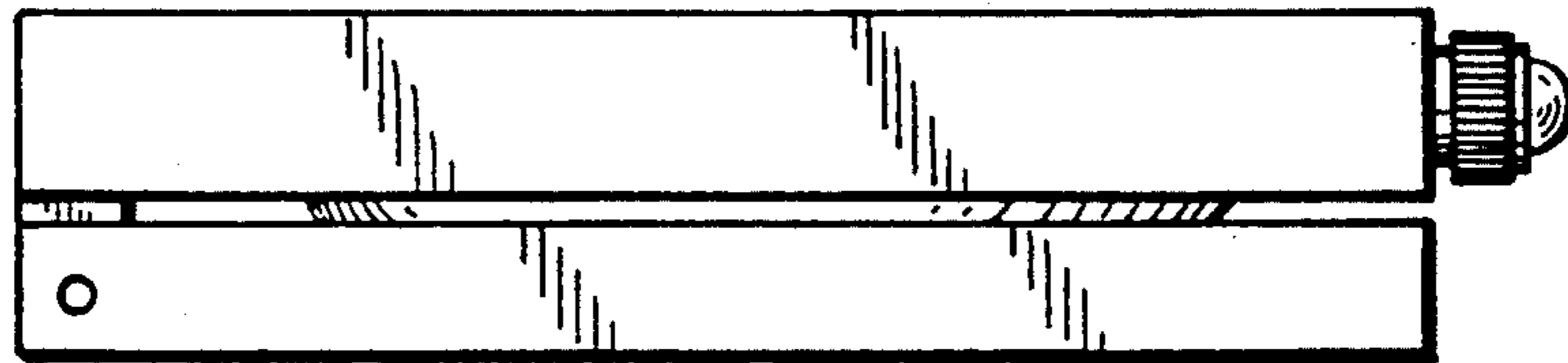
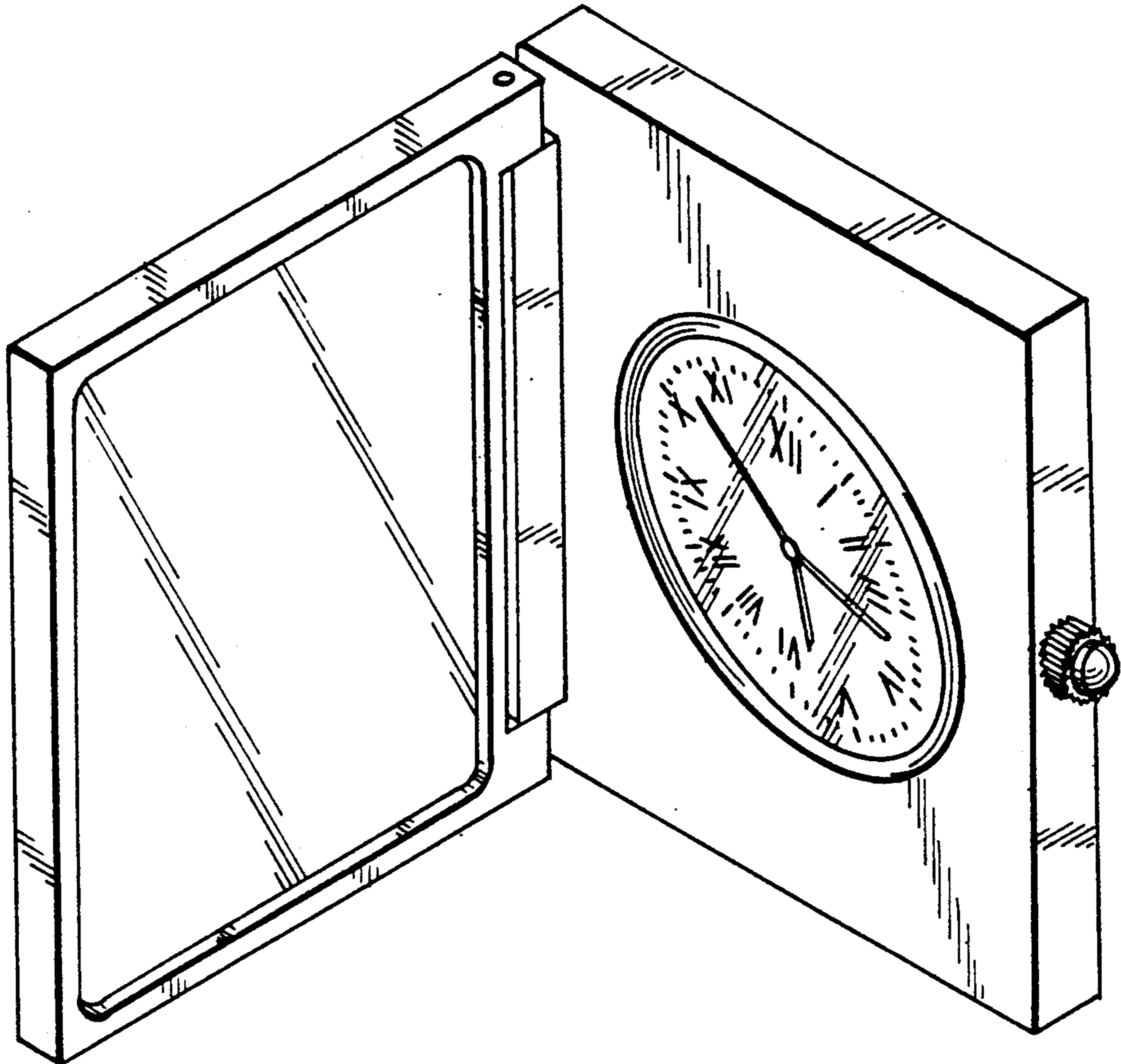


FIG. 3

FIG. 2

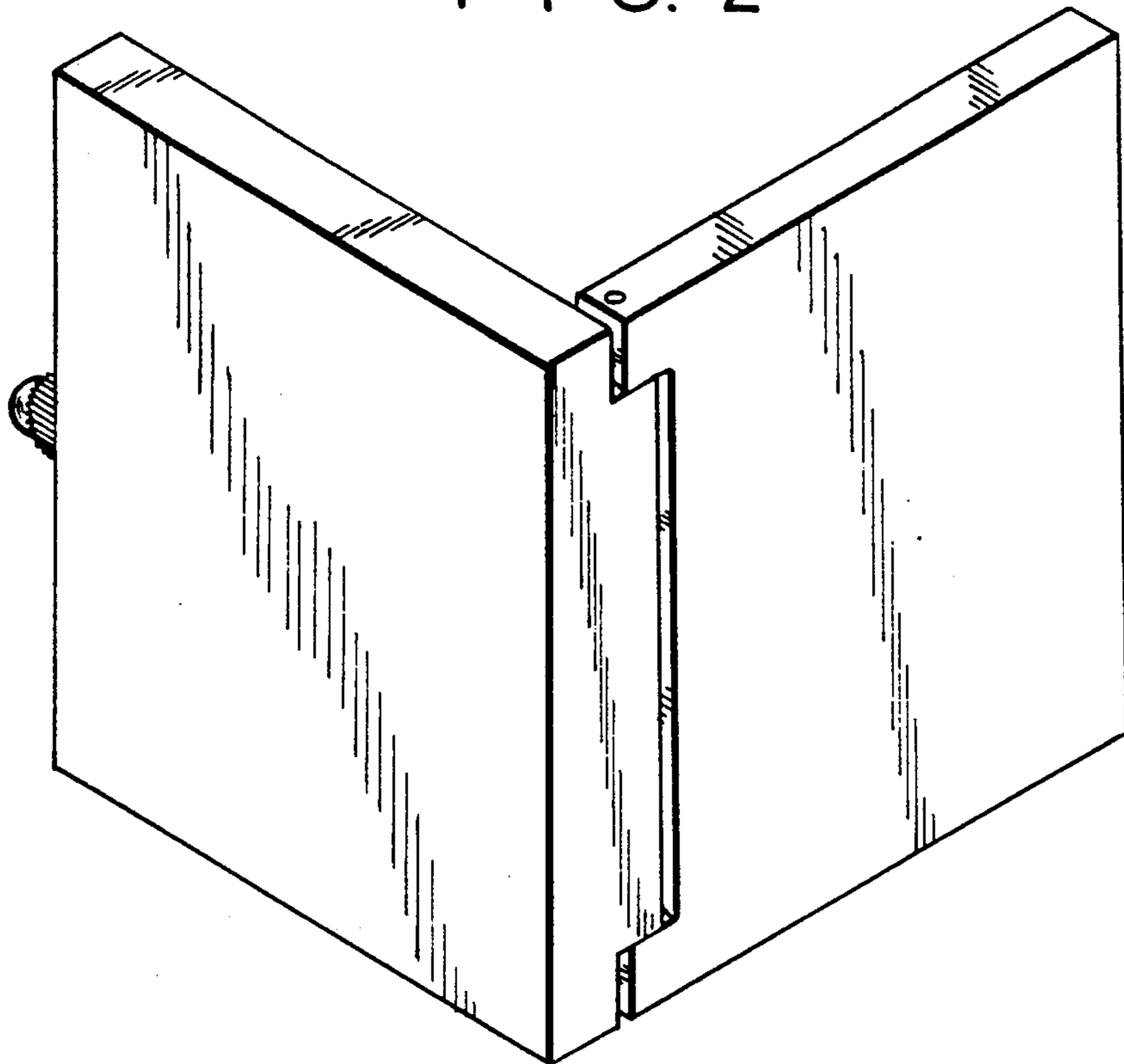


FIG. 4

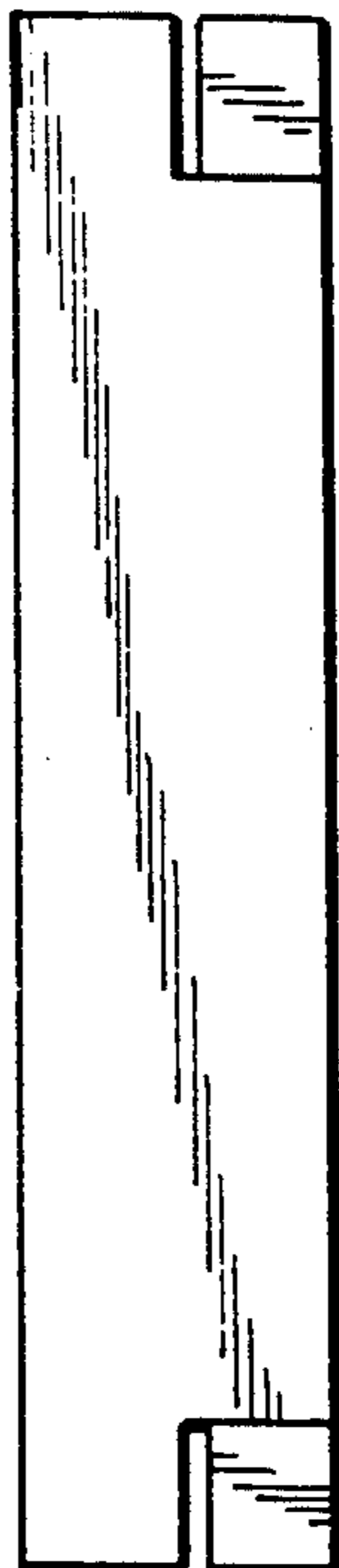


FIG. 5

