



US00D333254S

**United States Patent** [19]  
**Ringle'**

[11] **Patent Number: Des. 333,254**  
[45] **Date of Patent: \*\* Feb. 16, 1993**

[54] **COMBINED QUICK RELEASE LEVER AND FASTENER**

4,789,206 12/1988 Ozaki ..... 301/105 B

[76] **Inventor: Geoffrey F. Ringle', 203 Afton Ave., Trenton, N.J. 08618**

[\*\*] **Term: 14 Years**

[21] **Appl. No.: 591,481**

[22] **Filed: Oct. 1, 1990**

[52] **U.S. Cl. .... D8/308; D8/387**

[58] **Field of Search ..... D8/308, 387; 403/44, 403/48, DIG. 4; 301/114, 117, 105 B, 111, 112; D12/114; 74/474; 280/288.4**

[56] **References Cited**

**U.S. PATENT DOCUMENTS**

D. 215,814	11/1969	Kraus	.....	D8/308
D. 313,471	1/1991	Bremer et al.	.....	D8/387
3,924,487	12/1975	Huret	.....	280/288.4
4,603,875	8/1986	Boughton et al.	.....	280/288.4
4,624,151	11/1986	Huret	.....	280/288.4

**OTHER PUBLICATIONS**

Seastrom Mfg. Co., Inc., Cab., ©1979, first page of table of contents for section 12; solder lug 5400.

*Primary Examiner*—B. J. Bullock  
*Attorney, Agent, or Firm*—Sperry, Zoda & Kane

[57] **CLAIM**

The ornamental design for a combined quick release lever and fastener, as shown.

**DESCRIPTION**

FIG. 1 is a front perspective view of a release lever embodying my new design;

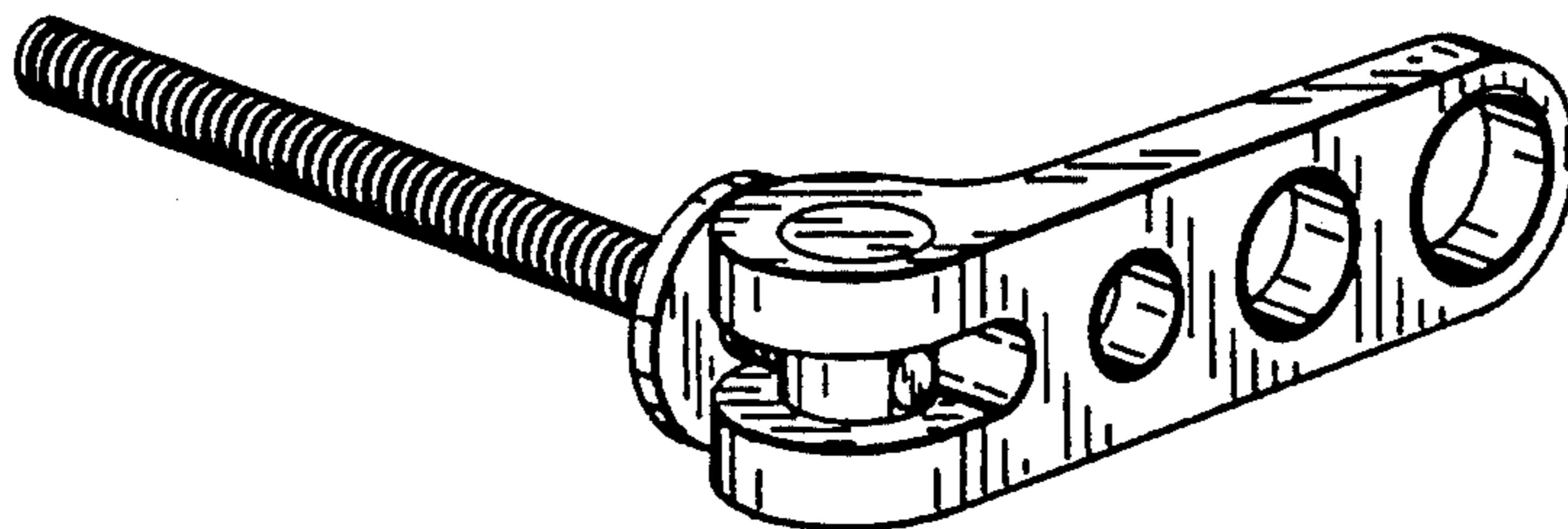
FIG. 2 is a top plan view, the bottom being a mirror image;

FIG. 3 is a front elevational view;

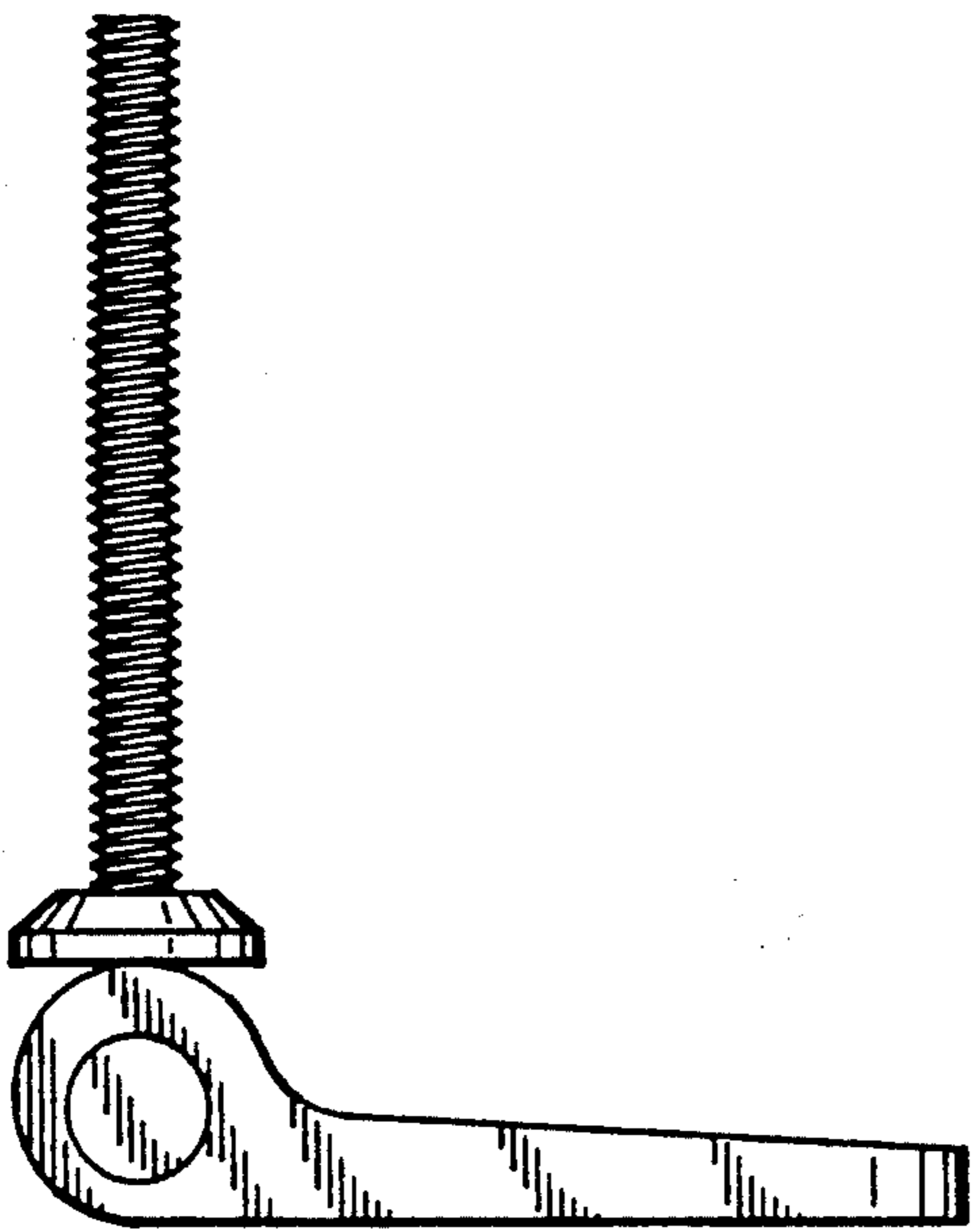
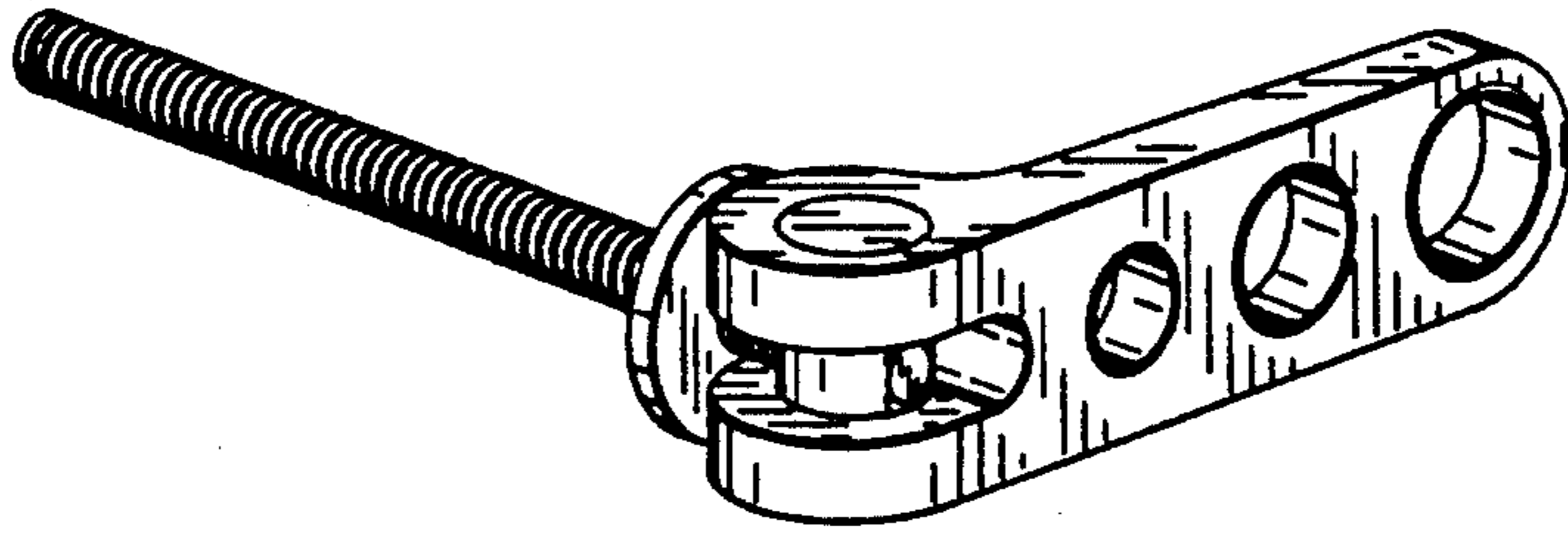
FIG. 4 is a rear elevational view;

FIG. 5 is a left side elevational view; and,

FIG. 6 is a right side elevational view.



**FIG. 1**



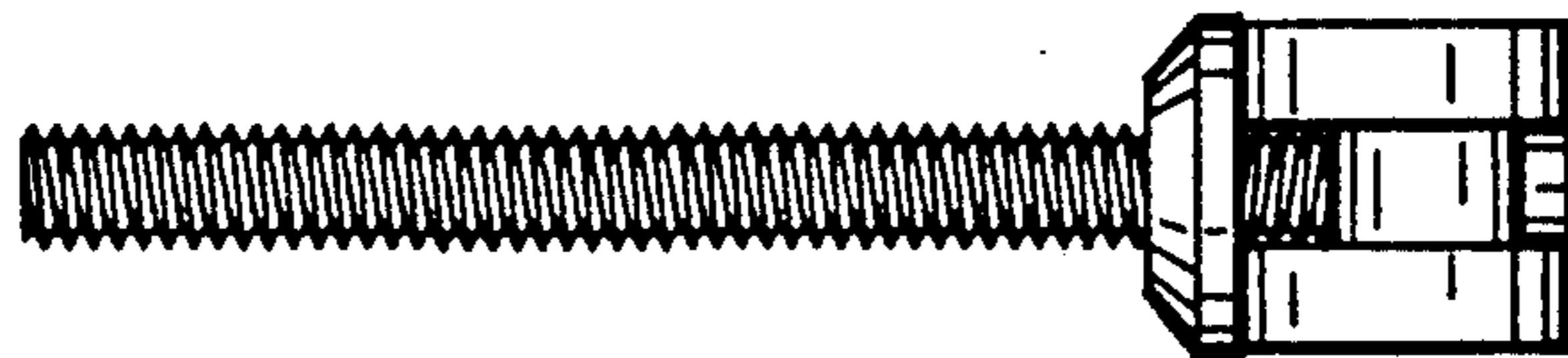
**FIG. 2**



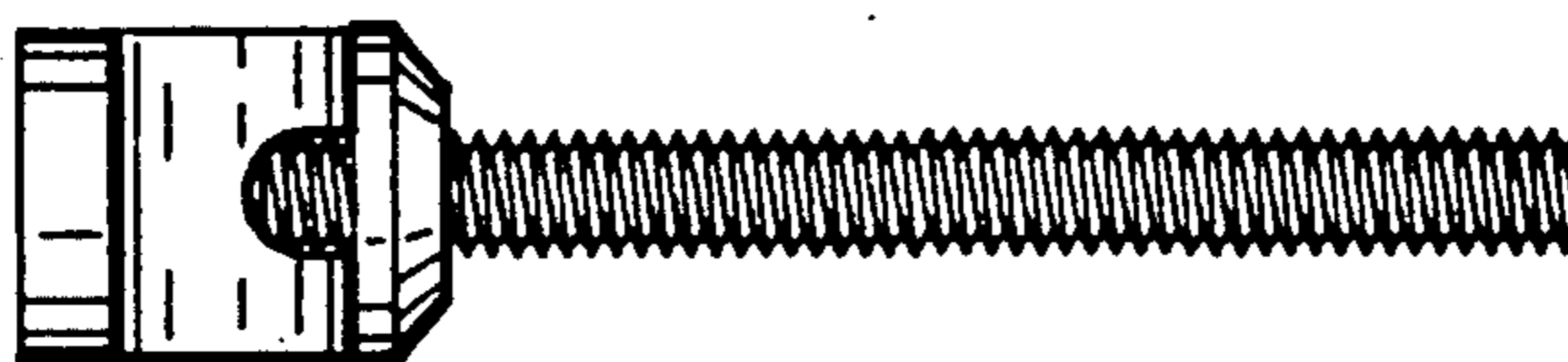
**FIG. 3**



**FIG. 4**



**FIG. 5**



**FIG. 6**