



US00D333246S

United States Patent [19]

Fushiya et al.

[11] Patent Number: Des. 333,246

[45] Date of Patent: ** Feb. 16, 1993

[54] PORTABLE ELECTRIC WRENCH

D. 327,617 7/1992 Fisher D8/68
4,728,876 3/1988 Mongeon et al. 310/50

[75] Inventors: Fusao Fushiya; Hideki Tanaka, both of Anjo, Japan

FOREIGN PATENT DOCUMENTS

[73] Assignee: Makita Electric Works, Ltd., Anjo, Japan

458469 5/1977 Japan .
458469-1 11/1977 Japan .

[**] Term: 14 Years

Primary Examiner—Alan P. Douglas
Assistant Examiner—J. H. Musgrove
Attorney, Agent, or Firm—Dennison, Meserole, Pollack & Scheiner

[21] Appl. No.: 649,829

[22] Filed: Feb. 1, 1991

[57] CLAIM

[30] Foreign Application Priority Data

The ornamental design for a portable electric wrench, as shown and described.

Aug. 6, 1990 [JP] Japan 2-26635

[52] U.S. Cl. D8/68

DESCRIPTION

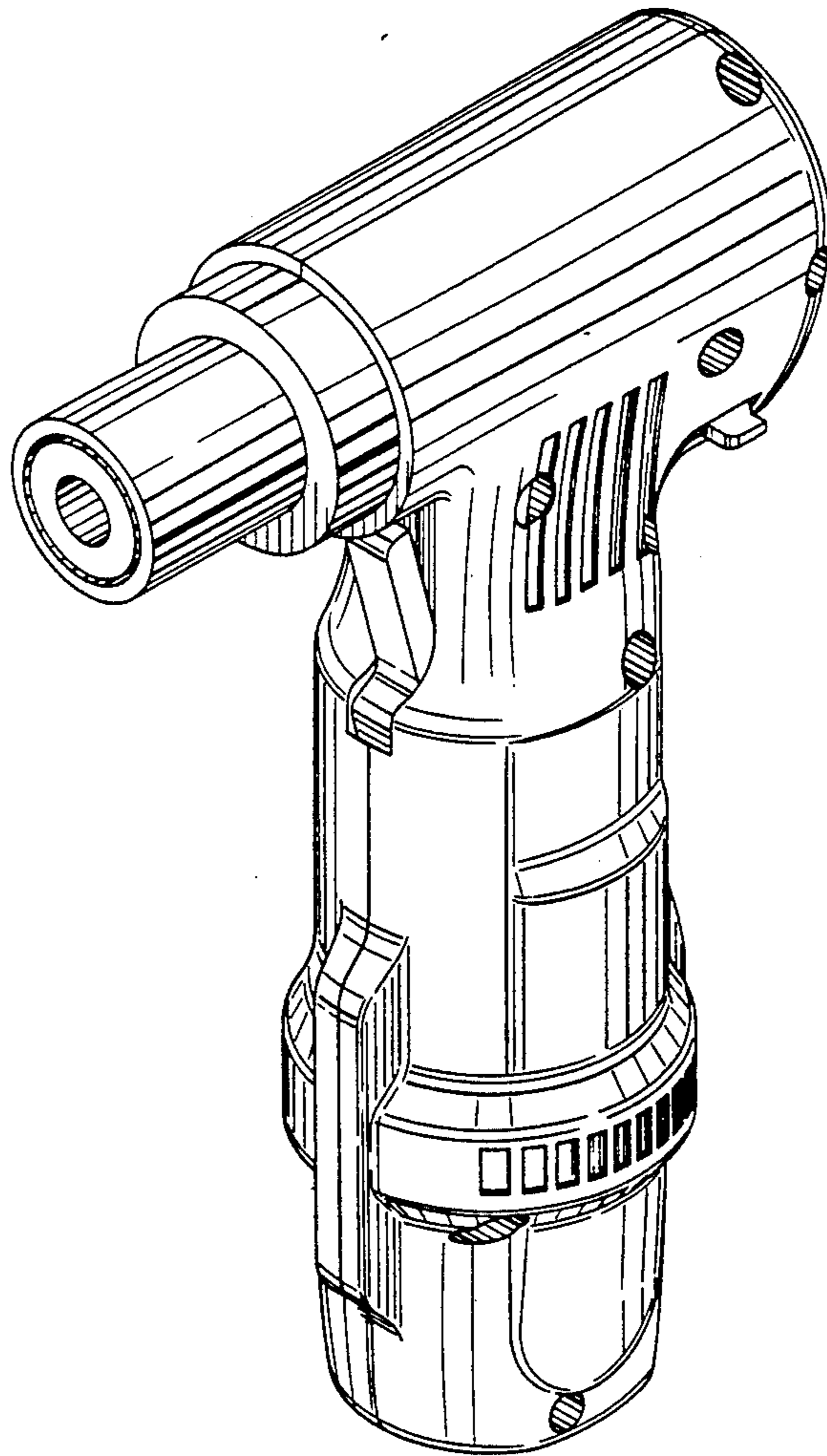
[58] Field of Search D8/61, 68; 173/48, 170, 173/90-93.7; 81/57.11, 57.13; 310/50

FIG. 1 is a perspective view of a portable electric wrench showing our new design;
FIG. 2 is a front elevational view thereof;
FIG. 3 is a rear elevational view thereof;
FIG. 4 is a left side elevational view thereof;
FIG. 5 is a right side elevational view thereof;
FIG. 6 is a top plan view thereof; and,
FIG. 7 is a bottom plan view thereof.

[56] References Cited

U.S. PATENT DOCUMENTS

D. 295,714 5/1988 Sasaki et al. D8/68
D. 296,655 7/1988 Yonezawa et al. D8/68
D. 301,299 5/1989 Chapin D8/68



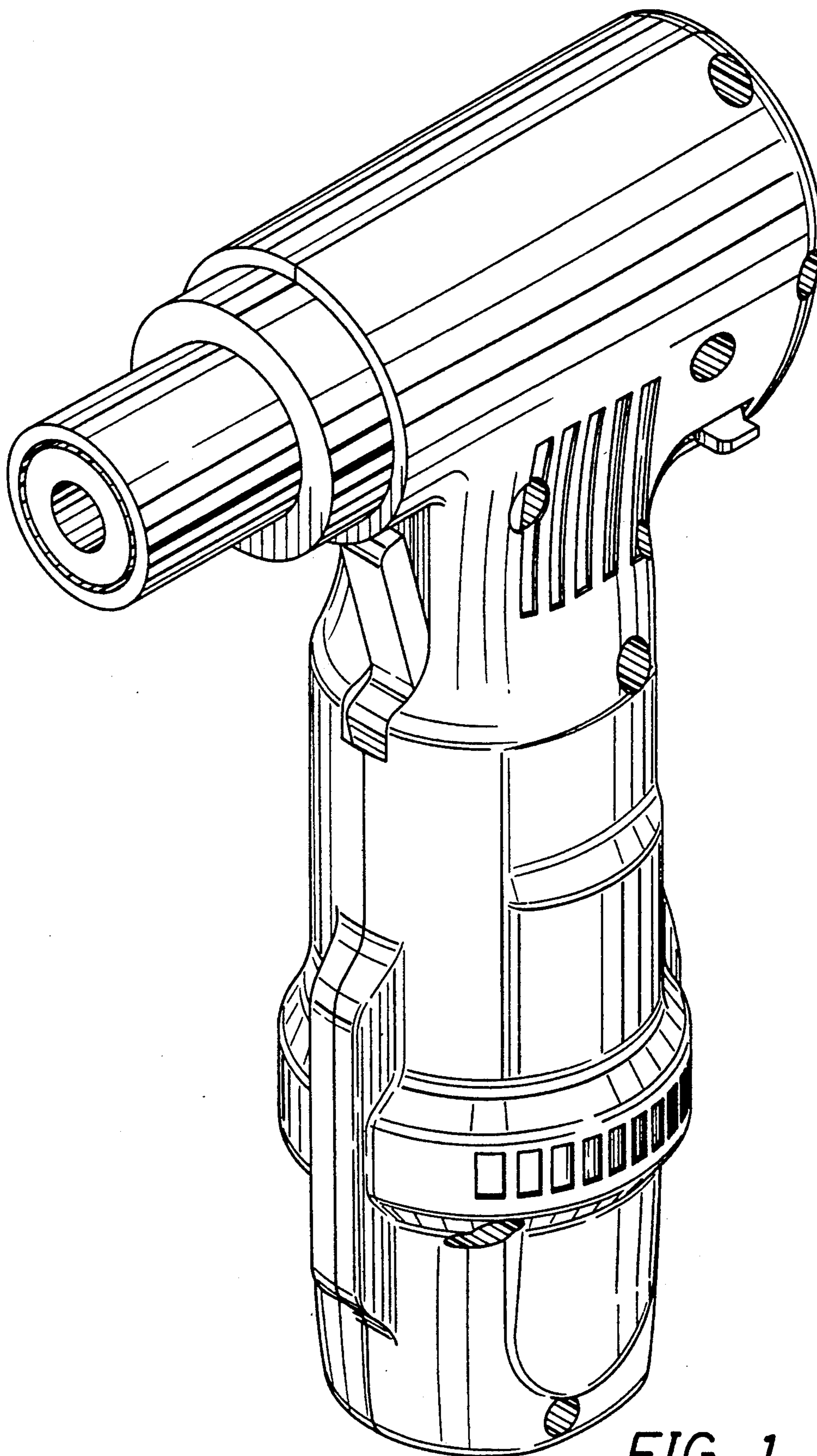


FIG. 1

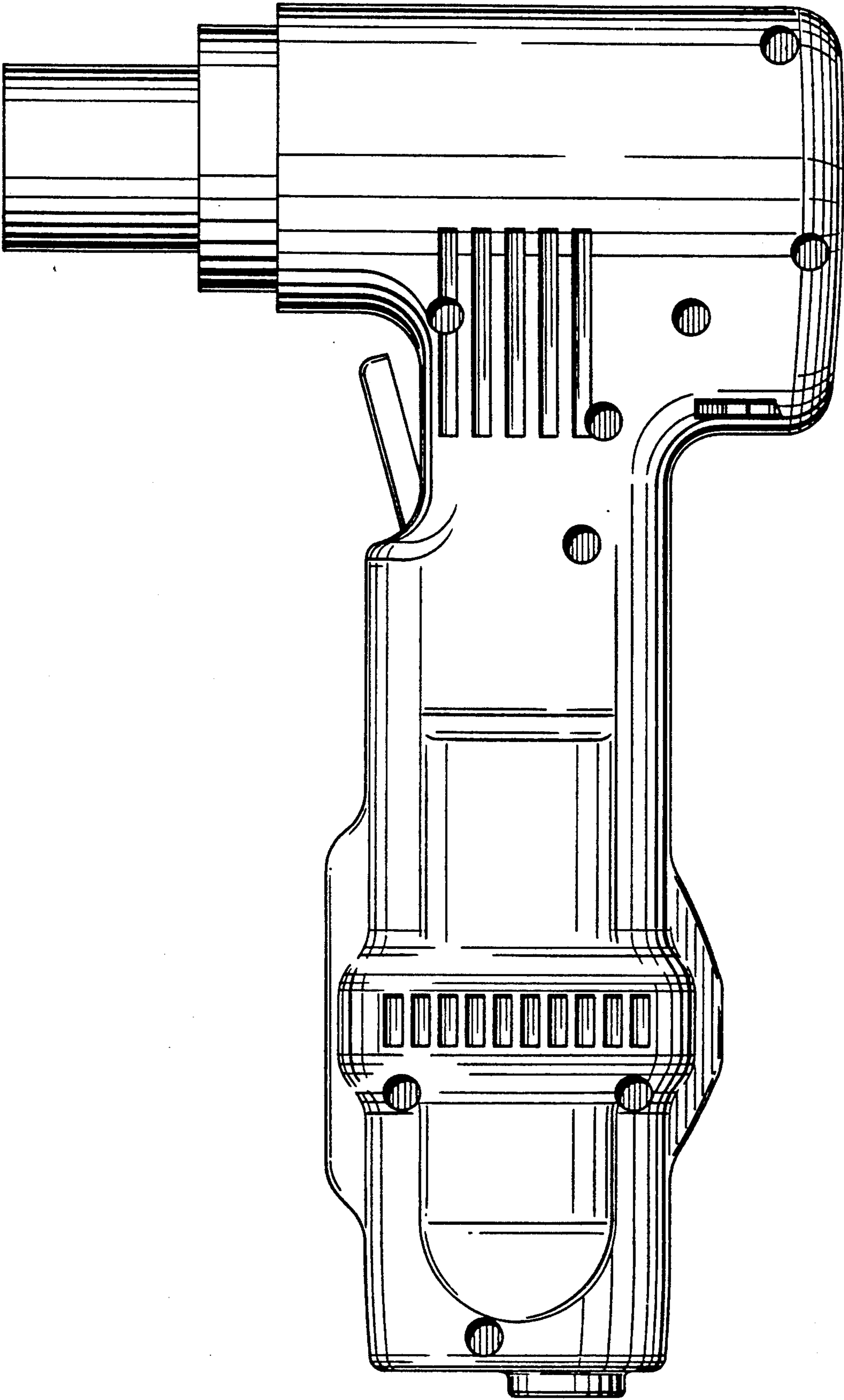


FIG. 2

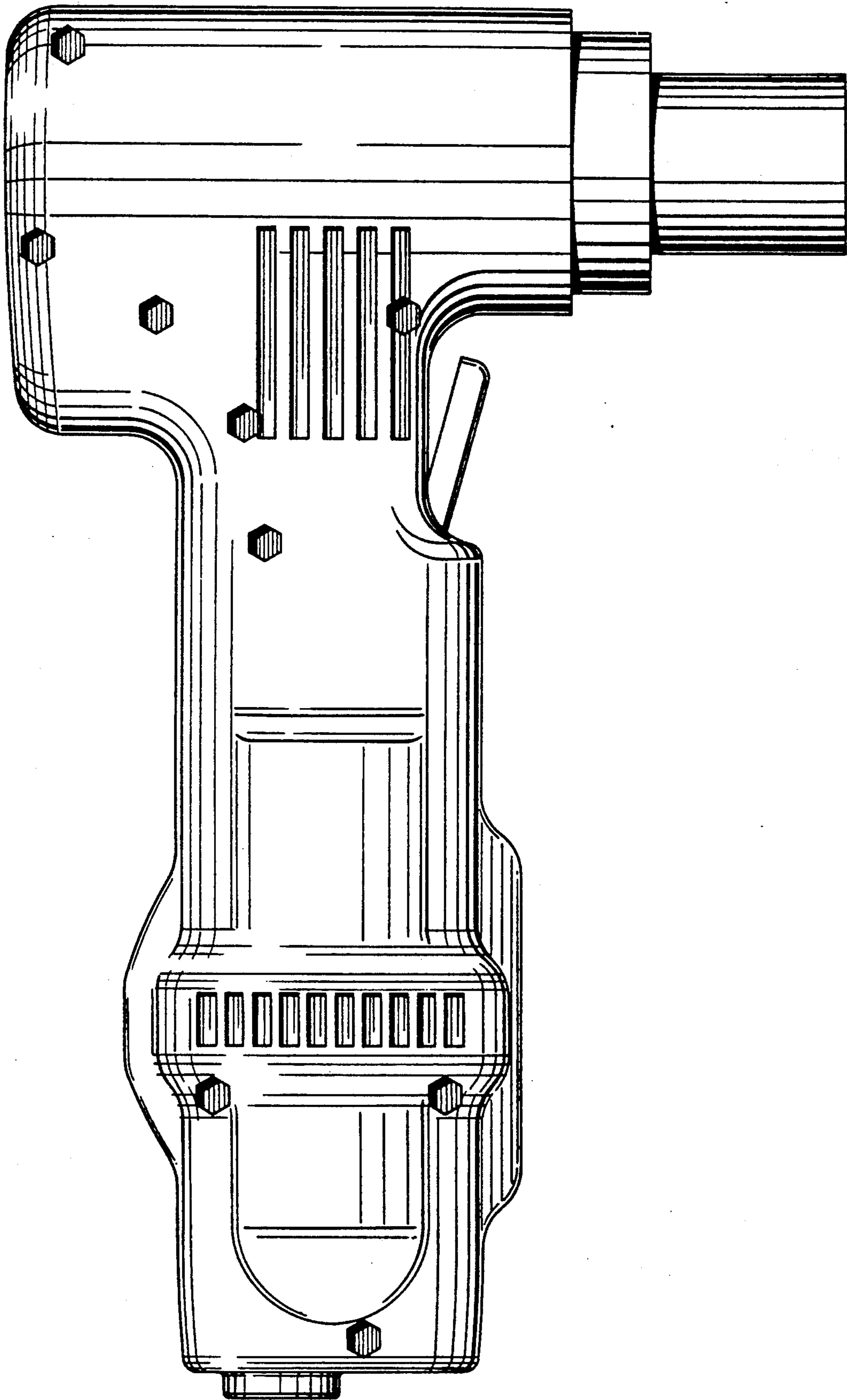


FIG. 3

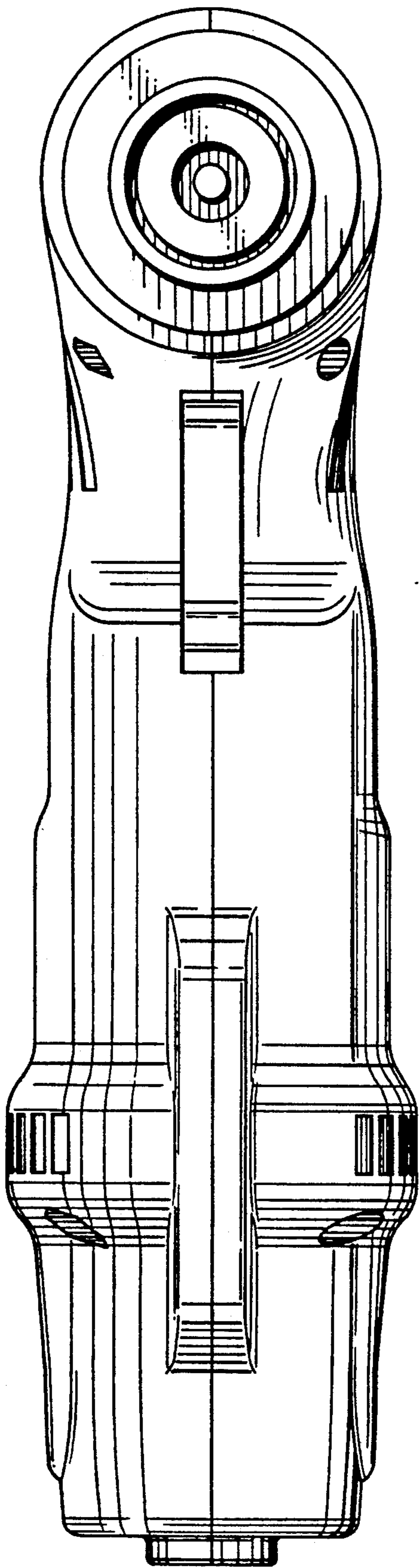


FIG. 4

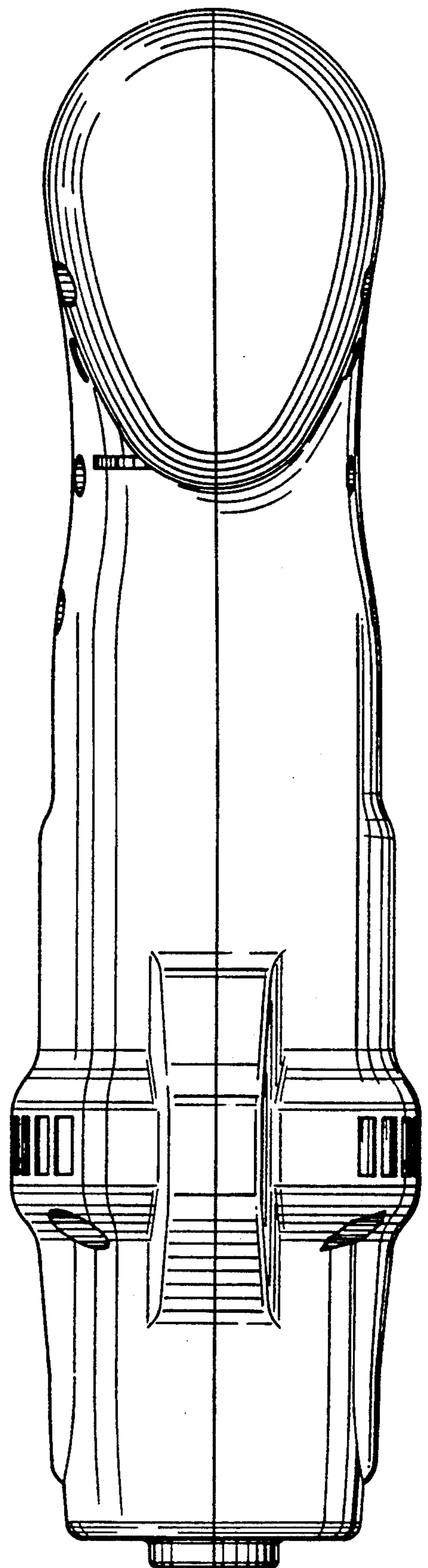


FIG. 5

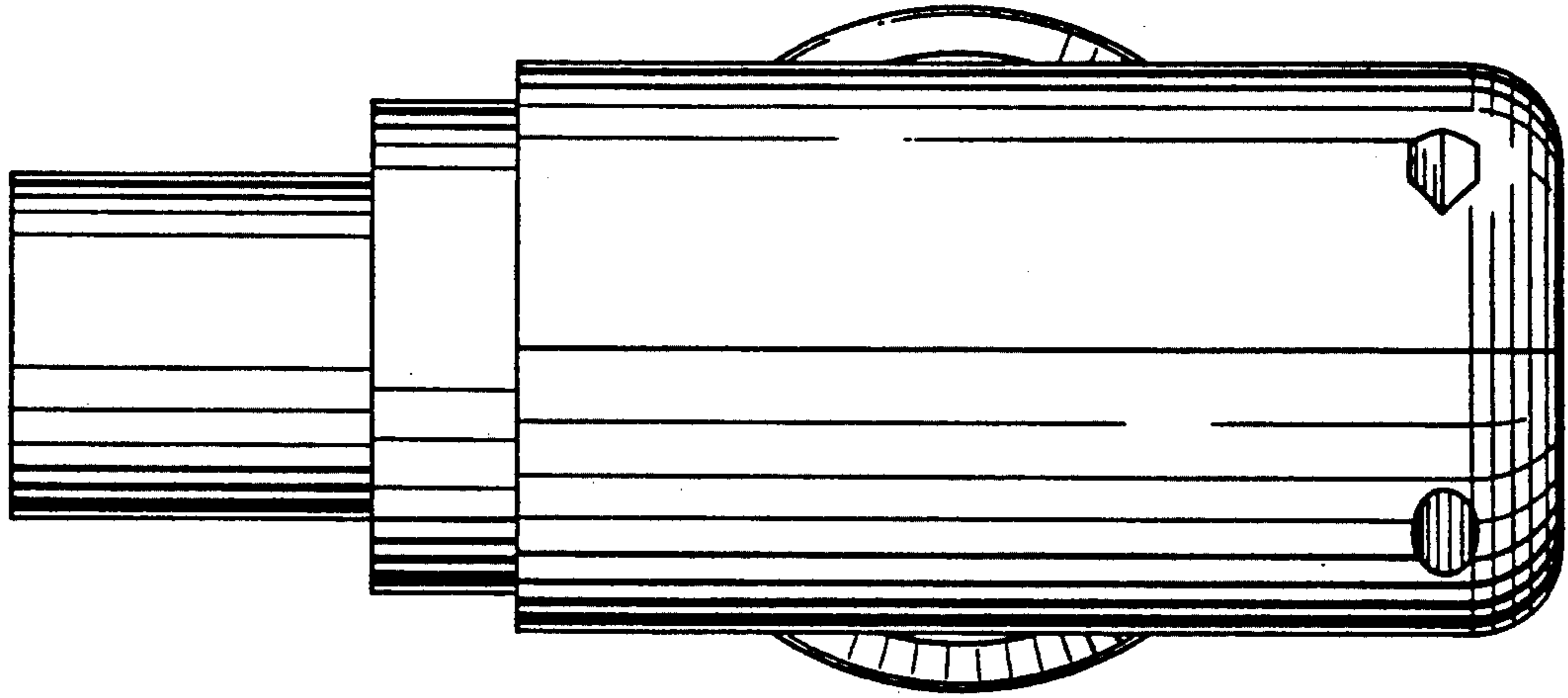


FIG. 6

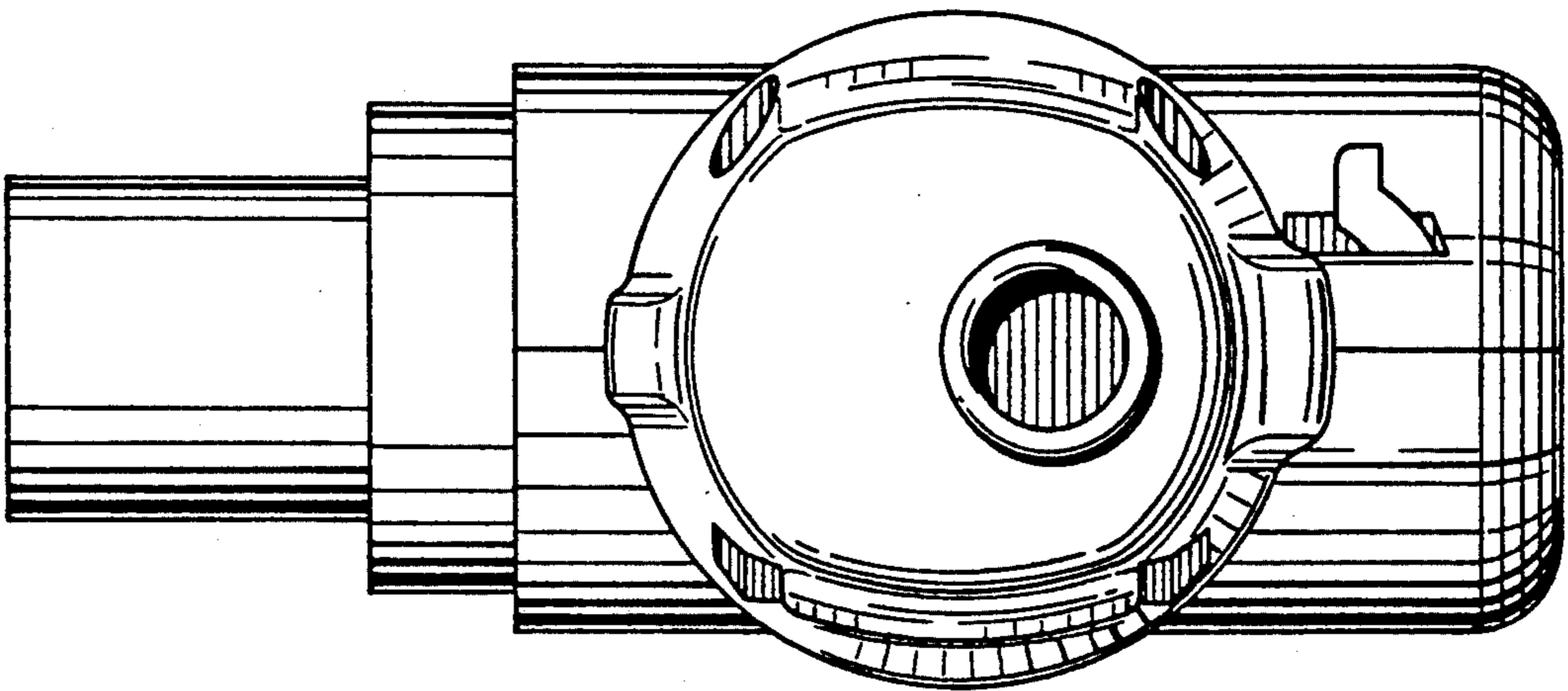


FIG. 7