



US00D333237S

United States Patent [19]

[11] Patent Number: **Des. 333,237**

Plaut

[45] Date of Patent: **** Feb. 16, 1993**

[54] **SERVING TRAY**

[75] Inventor: **Rudolf T. F. Plaut, Lisvane, Great Britain**

[73] Assignee: **Northmace Limited, Cardiff, Great Britain**

[**] Term: **14 Years**

[21] Appl. No.: **238,871**

[22] Filed: **Aug. 26, 1988**

[30] **Foreign Application Priority Data**

Feb. 26, 1988 [GB] United Kingdom 1048822

[52] U.S. Cl. **D7/553; D7/549**

[58] Field of Search **D7/549, 550, 552-555; 294/172; 220/404, 427, 500, 507, 575**

[56] **References Cited**

U.S. PATENT DOCUMENTS

D. 195,682 7/1963 Grogel D7/553

D. 204,147 3/1966 Ward D7/541

D. 206,761 1/1967 Kirwan D7/553

D. 283,666 5/1986 Holzkopf D7/553

4,219,144 8/1980 Hagelberg 294/172 X

Primary Examiner—Alan P. Douglas

Assistant Examiner—Caron D. Veynar

Attorney, Agent, or Firm—Young & Thompson

[57] **CLAIM**

The ornamental design for a serving tray, as shown and described.

DESCRIPTION

FIG. 1 is a top, front and side perspective view of a serving tray showing my new design;

FIG. 2 is a top plan view thereof;

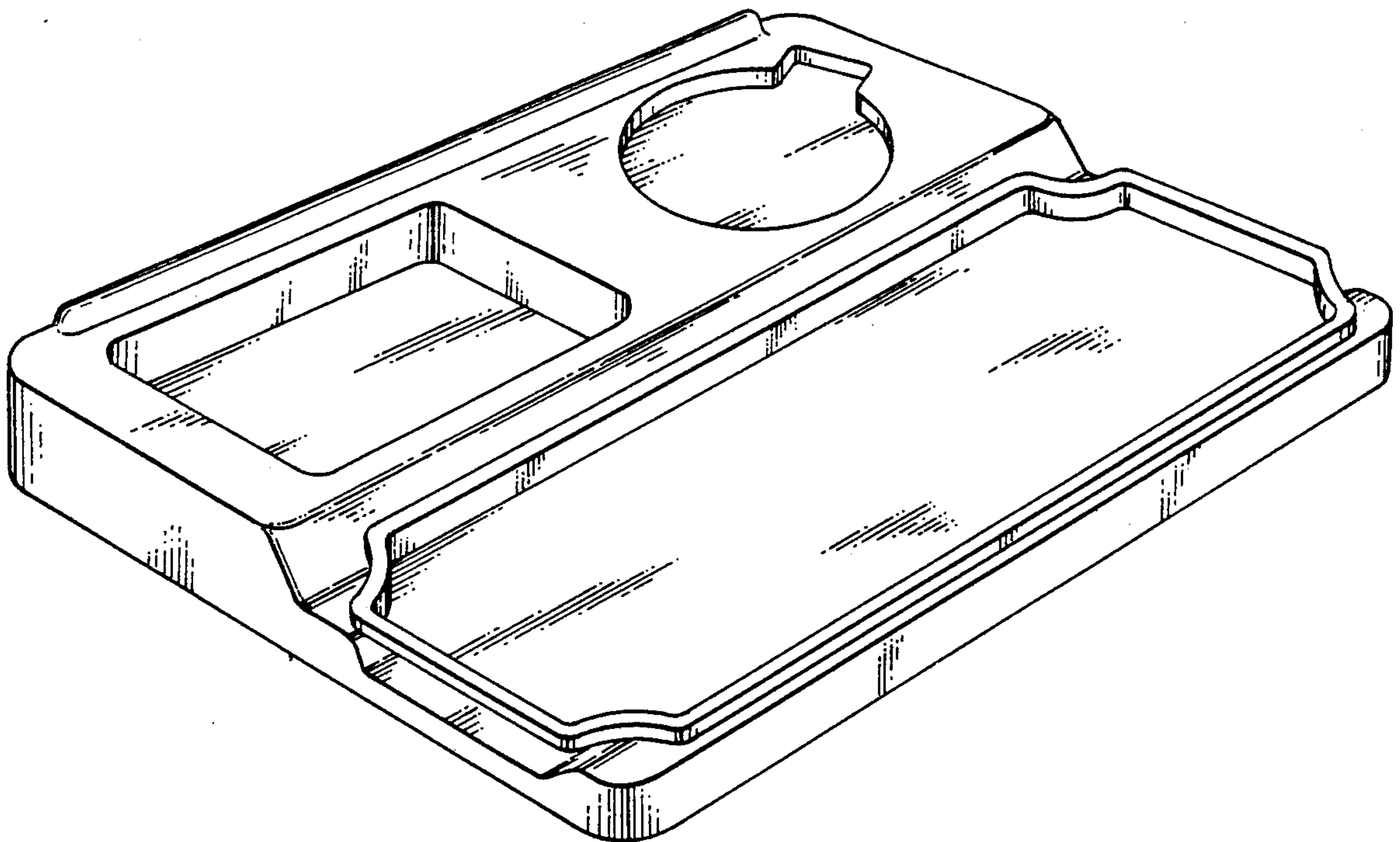
FIG. 3 is a front elevational view thereof;

FIG. 4 is a bottom plan view thereof;

FIG. 5 is a rear elevational view thereof;

FIG. 6 is a left side elevational view thereof, the right side elevational view being a mirror image thereof; and,

FIG. 7 is a cross sectional view taken on line X—X of FIG. 2.



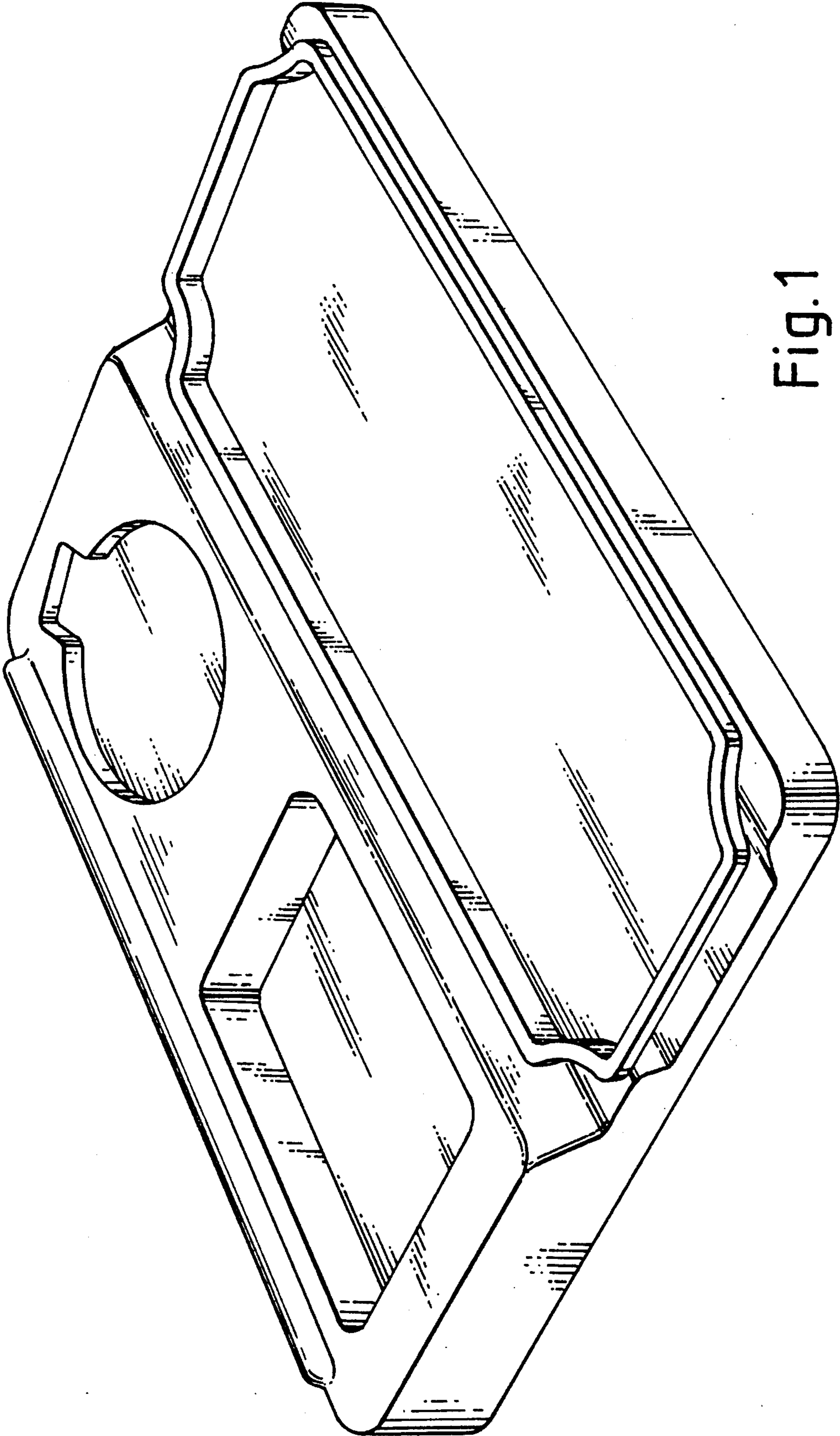


Fig. 1

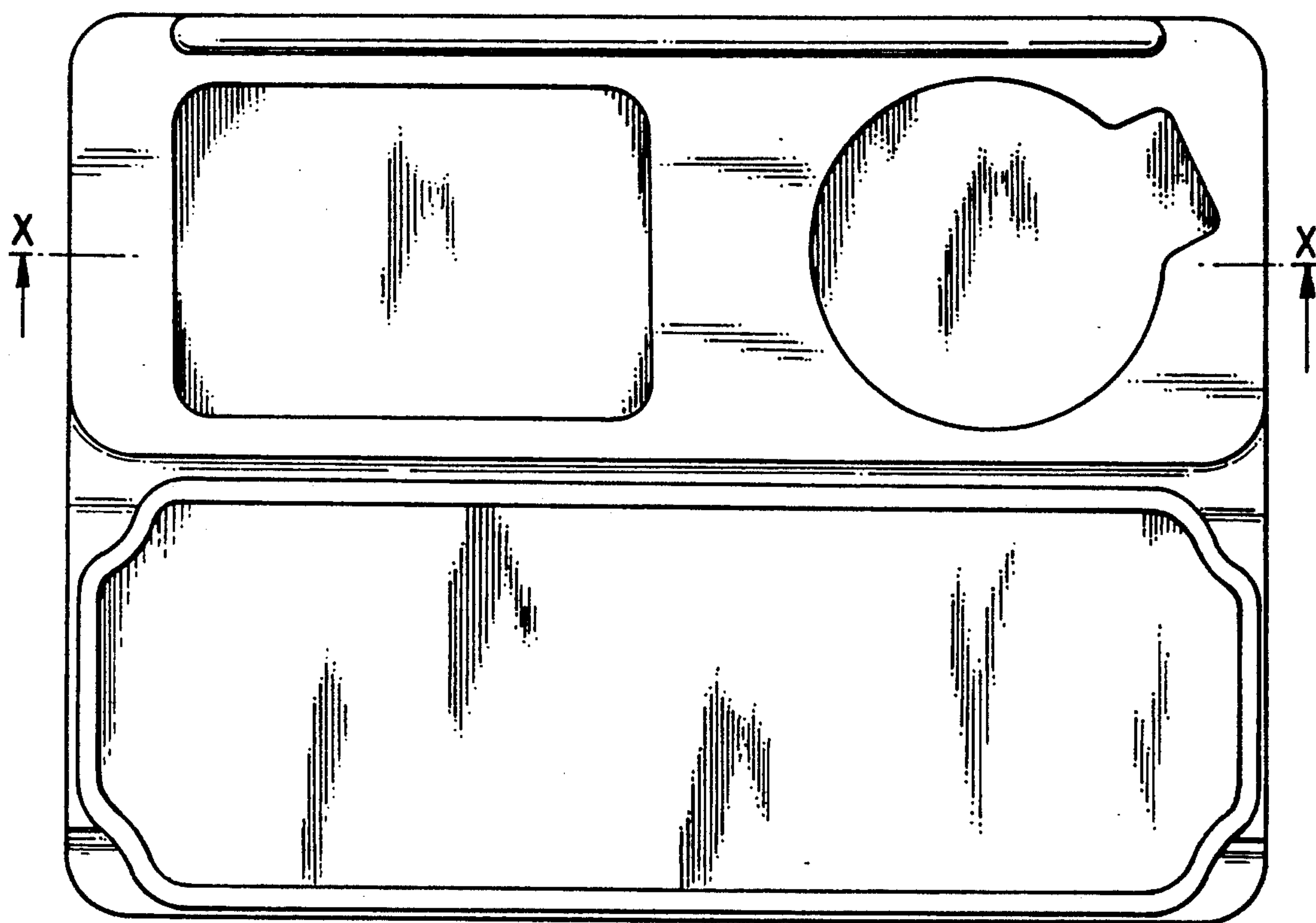


Fig. 2

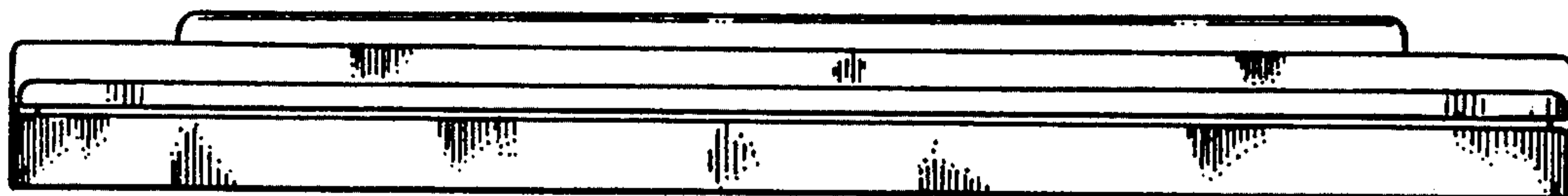


Fig. 3

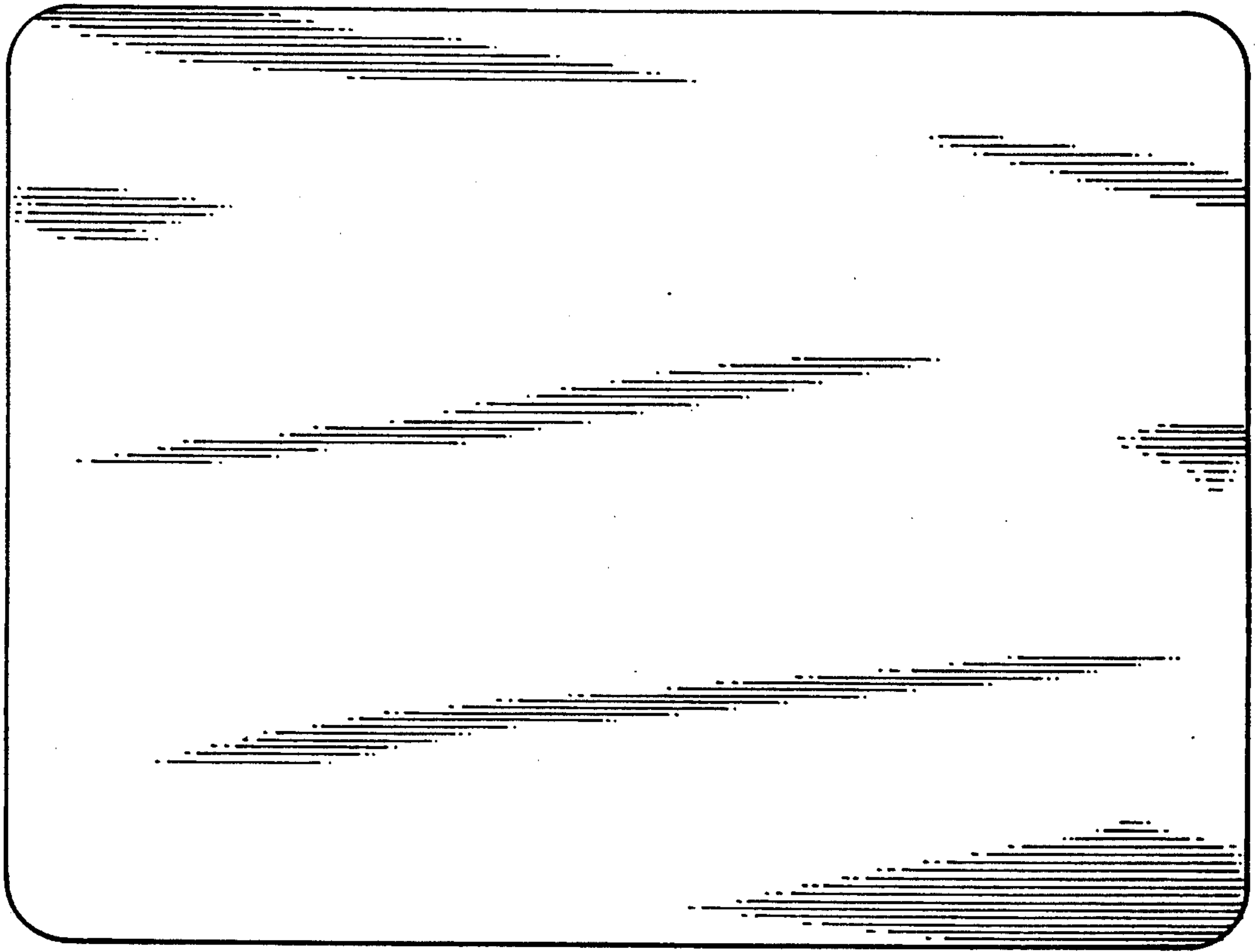


Fig. 4

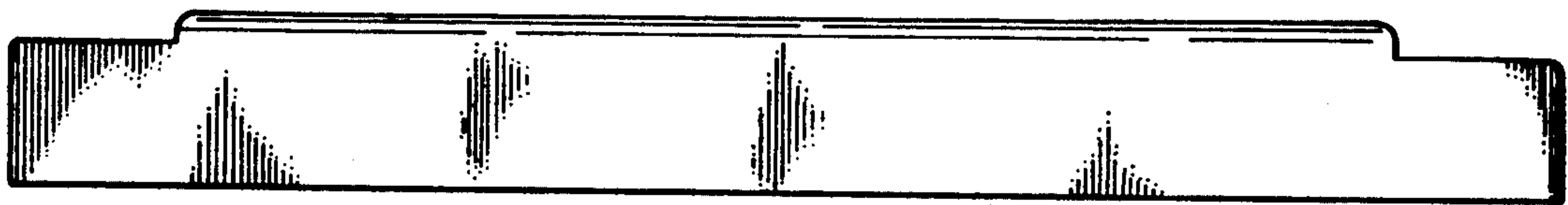


Fig. 5

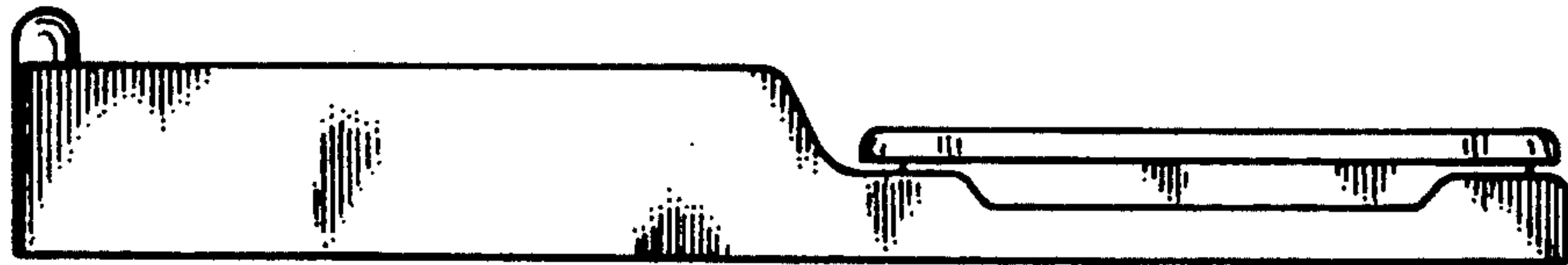


Fig. 6

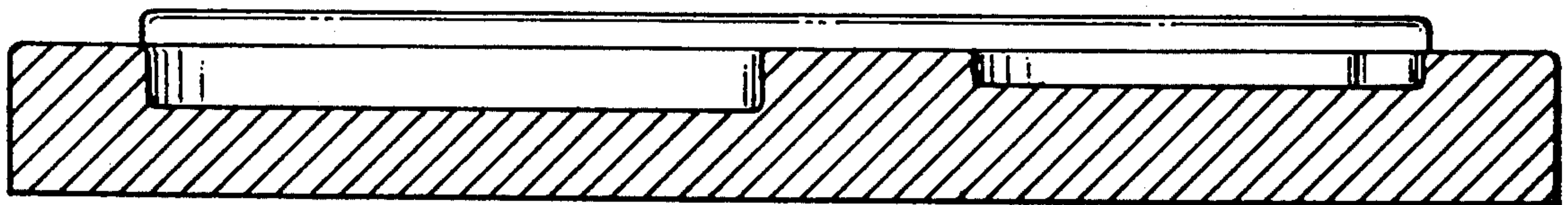


Fig. 7