



US00D333235S

United States Patent [19]

[11] Patent Number: **Des. 333,235**

Bertelsen

[45] Date of Patent: **** Feb. 16, 1993**

- [54] **ROASTING PAN RACK**
- [75] Inventor: **William P. Bertelsen, Richmond, Va.**
- [73] Assignee: **Reynolds Metals Company, Richmond, Va.**
- [**] Term: **14 Years**
- [21] Appl. No.: **620,587**
- [22] Filed: **Nov. 28, 1990**
- [52] U.S. Cl. **D7/403; D7/388**
- [58] Field of Search **D7/355, 388, 403, 409; 99/422, 426, 430; 211/181, 189, 195; 220/94 R, 95, 401; 294/26.5, 172**

| | | | |
|-----------|--------|---------------------|-----------|
| 3,952,876 | 4/1976 | Price | 211/181 X |
| 4,648,379 | 3/1987 | Fordyce | 99/426 X |
| 4,717,038 | 1/1988 | Anders | 220/94 R |
| 4,852,760 | 8/1989 | Sarnoff et al. | 220/85 H |
| 5,029,721 | 7/1991 | Timpe | 220/401 X |

Primary Examiner—Alan P. Douglas
Assistant Examiner—Caron D. Veynar
Attorney, Agent, or Firm—Alan T. McDonald

[57] **CLAIM**

The ornamental design for a roasting pan rack, as shown and described.

DESCRIPTION

FIG. 1 is a perspective view of a roasting pan rack showing my new design;
 FIG. 2 is a front elevational view, the rear elevational view being a mirror image;
 FIG. 3 is a right side elevational view, the left side elevational view being a mirror image; and,
 FIG. 4 is a top plan view.

- [56] **References Cited**
- U.S. PATENT DOCUMENTS**
- D. 192,227 2/1962 Theisen D7/388
- D. 240,105 6/1976 Boyd et al. D7/388
- D. 316,944 5/1991 Manna D7/388

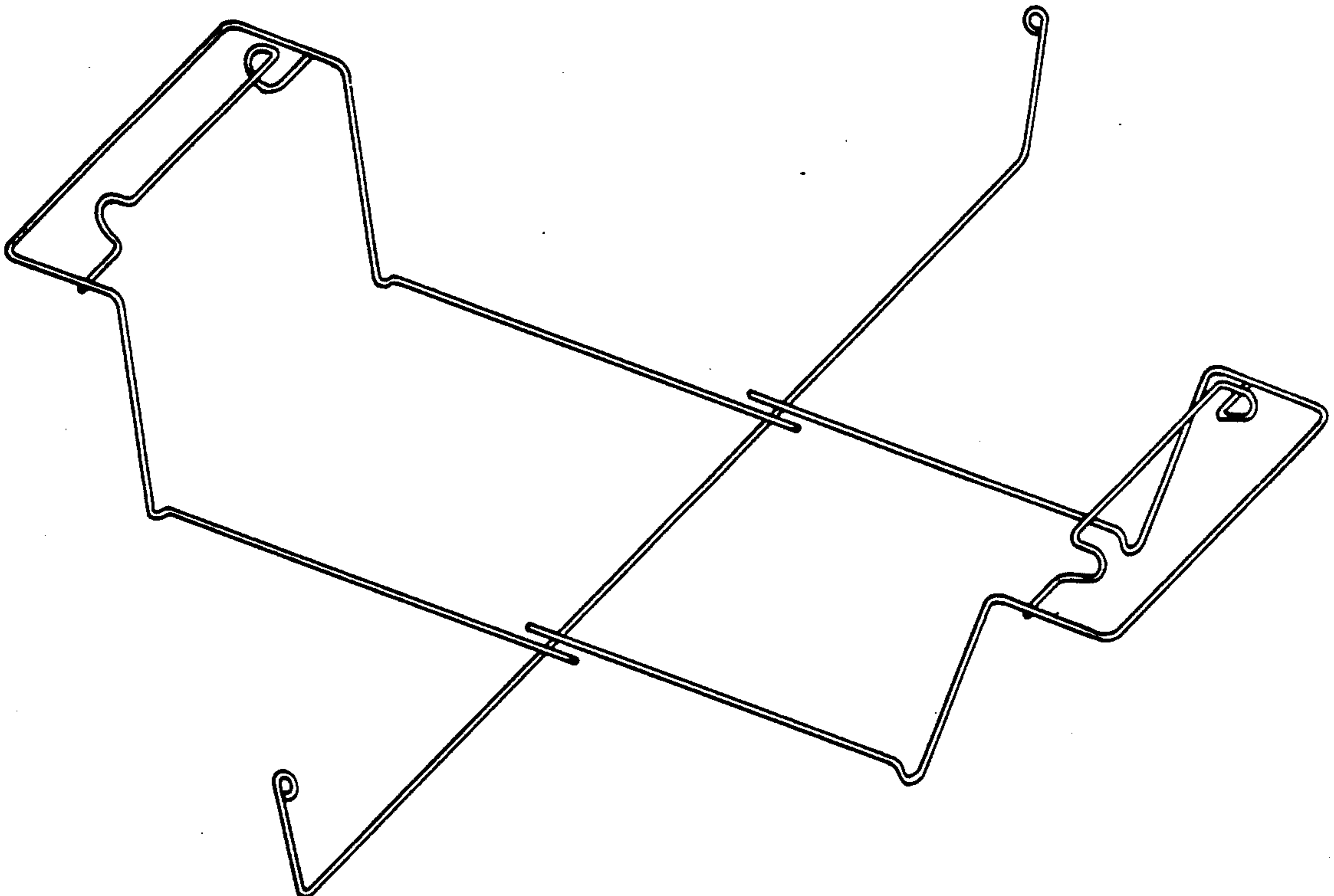


FIG. 1

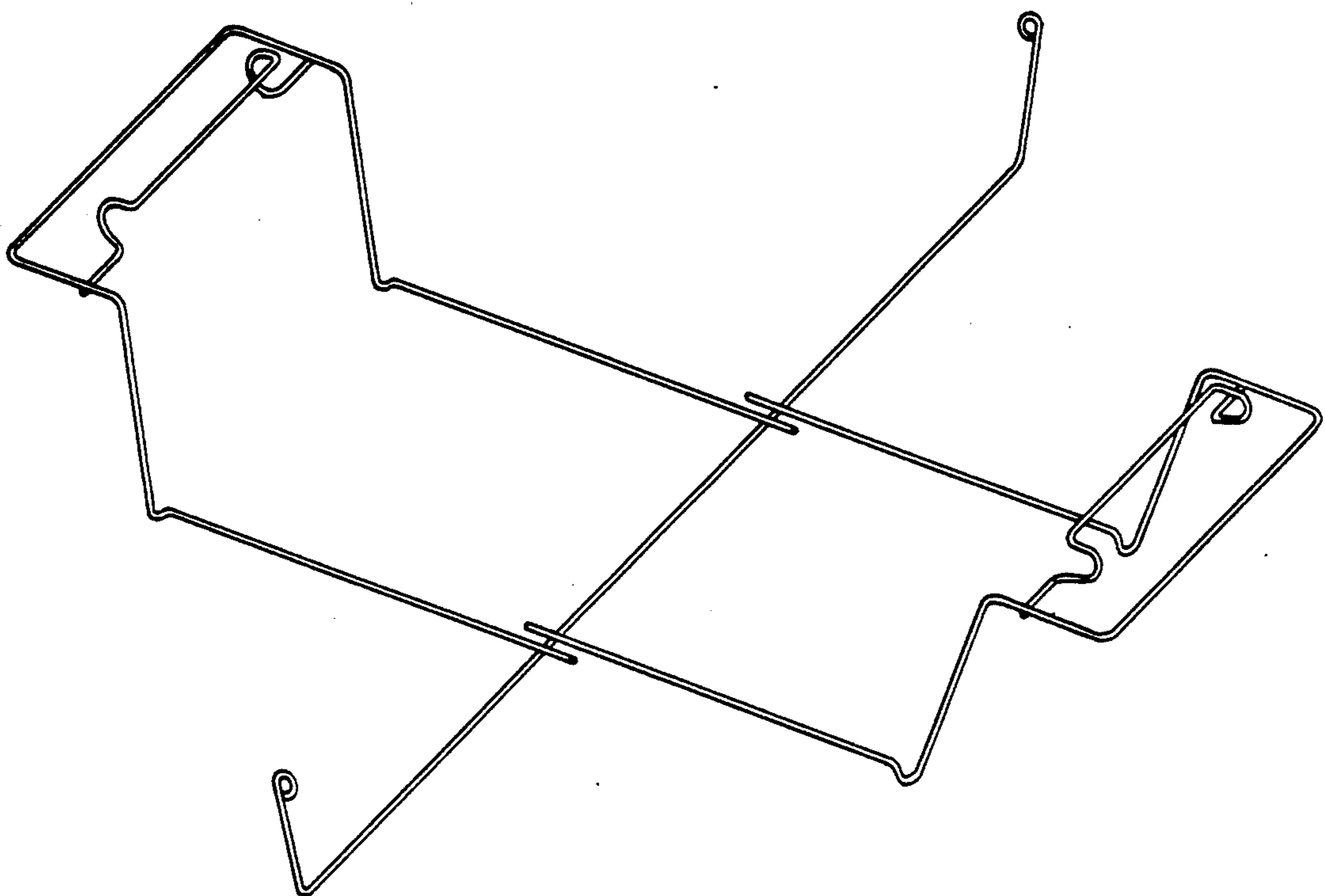


FIG. 2

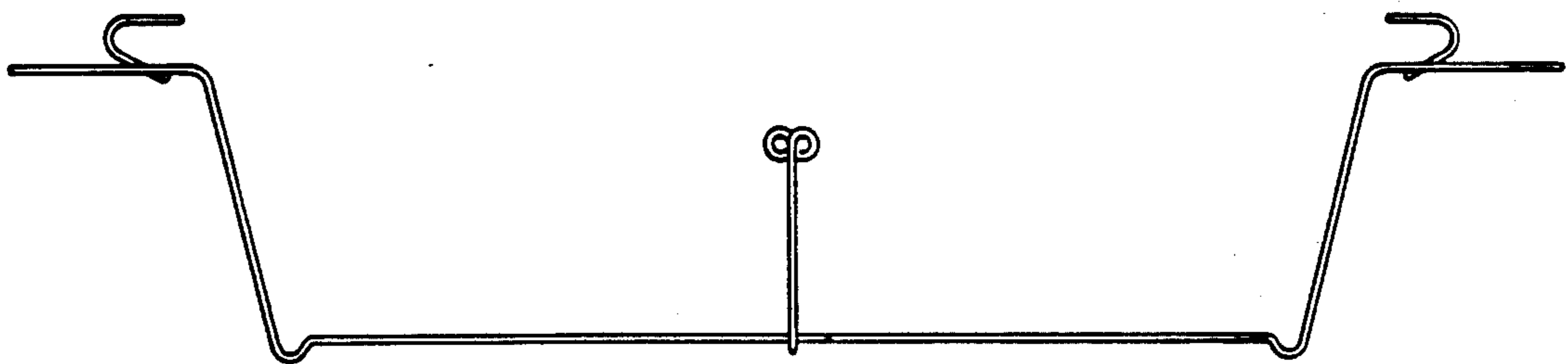


FIG. 3

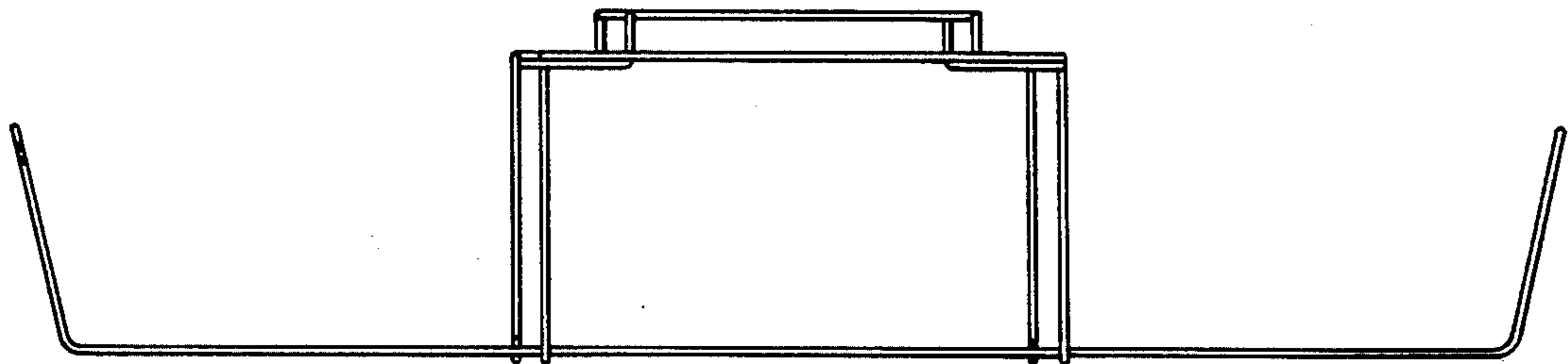


FIG. 4

